

US00D652013S

(12) **United States Design Patent**
Kim

(10) **Patent No.:** **US D652,013 S**
(45) **Date of Patent:** **** Jan. 10, 2012**

(54) **MOBILE PHONE**

(75) Inventor: **Nam-Su Kim**, Seoul (KR)

(73) Assignee: **Samsung Electronics Co., Ltd.** (KR)

(**) Term: **14 Years**

(21) Appl. No.: **29/387,340**

(22) Filed: **Mar. 11, 2011**

(30) **Foreign Application Priority Data**

Dec. 17, 2010 (KR) 30-2010-0054814

(51) **LOC (9) Cl.** **14-03**

(52) **U.S. Cl.** **D14/138 AA**

(58) **Field of Classification Search** D14/138 AA,
D14/496, 341, 345, 346, 203.3, 203.4, 203.7,
D14/138 AB, 138 AD, 138 R, 147, 218, 137;
455/575.1, 556.2, 575.3, 575.4; D21/517;
379/433.01, 433.04, 433.11, 433.12, 433.13
See application file for complete search history.

(56) **References Cited**

U.S. PATENT DOCUMENTS

D468,307 S *	1/2003	Chuang	D14/346
D494,561 S *	8/2004	Kagami et al.	D14/138 AA
D515,537 S *	2/2006	Kim et al.	D14/138 AA
D526,637 S *	8/2006	Shin	D14/138 AA
D538,250 S *	3/2007	Choi et al.	D14/138 AA
D543,182 S *	5/2007	Lee et al.	D14/138 AA
D546,802 S *	7/2007	Cho et al.	D14/138 AA
D552,587 S *	10/2007	Denhez et al.	D14/138 AA
D556,173 S *	11/2007	Suk et al.	D14/138 AA
D559,224 S *	1/2008	Moon et al.	D14/138 AA
D559,827 S *	1/2008	Shin et al.	D14/138 AA
D560,647 S *	1/2008	Choi et al.	D14/138 AA
D563,931 S *	3/2008	Moon et al.	D14/138 AA
D573,970 S *	7/2008	Park	D14/138 AA
D574,347 S *	8/2008	Lee et al.	D14/138 AA
D580,404 S *	11/2008	Lim et al.	D14/138 AA

D584,266 S *	1/2009	Kim et al.	D14/138 AA
D596,603 S *	7/2009	Tkachuk	D14/138 AA
D598,413 S *	8/2009	Chen	D14/138 AA
D608,751 S *	1/2010	He	D14/138 AA
D632,276 S *	2/2011	Chen	D14/138 AA
D634,289 S *	3/2011	Wang	D14/138 AA
D637,578 S *	5/2011	Hwang	D14/138 AA
D643,009 S *	8/2011	Lee et al.	D14/138 AA

OTHER PUBLICATIONS

Motorola C139 telephone, announced 3d quarter 2005, [online], [site visited Aug. 23, 2011]. Available from Internet, <URL: <http://www.gsmarena.com>>.*

LG B2150 telephone, announced 2005, [online], [site visited Aug. 23, 2011]. Available from Internet, <URL: <http://www.gsmarena.com>>.*

(Continued)

Primary Examiner — Jeffrey D Asch

(74) *Attorney, Agent, or Firm* — NSIP Law

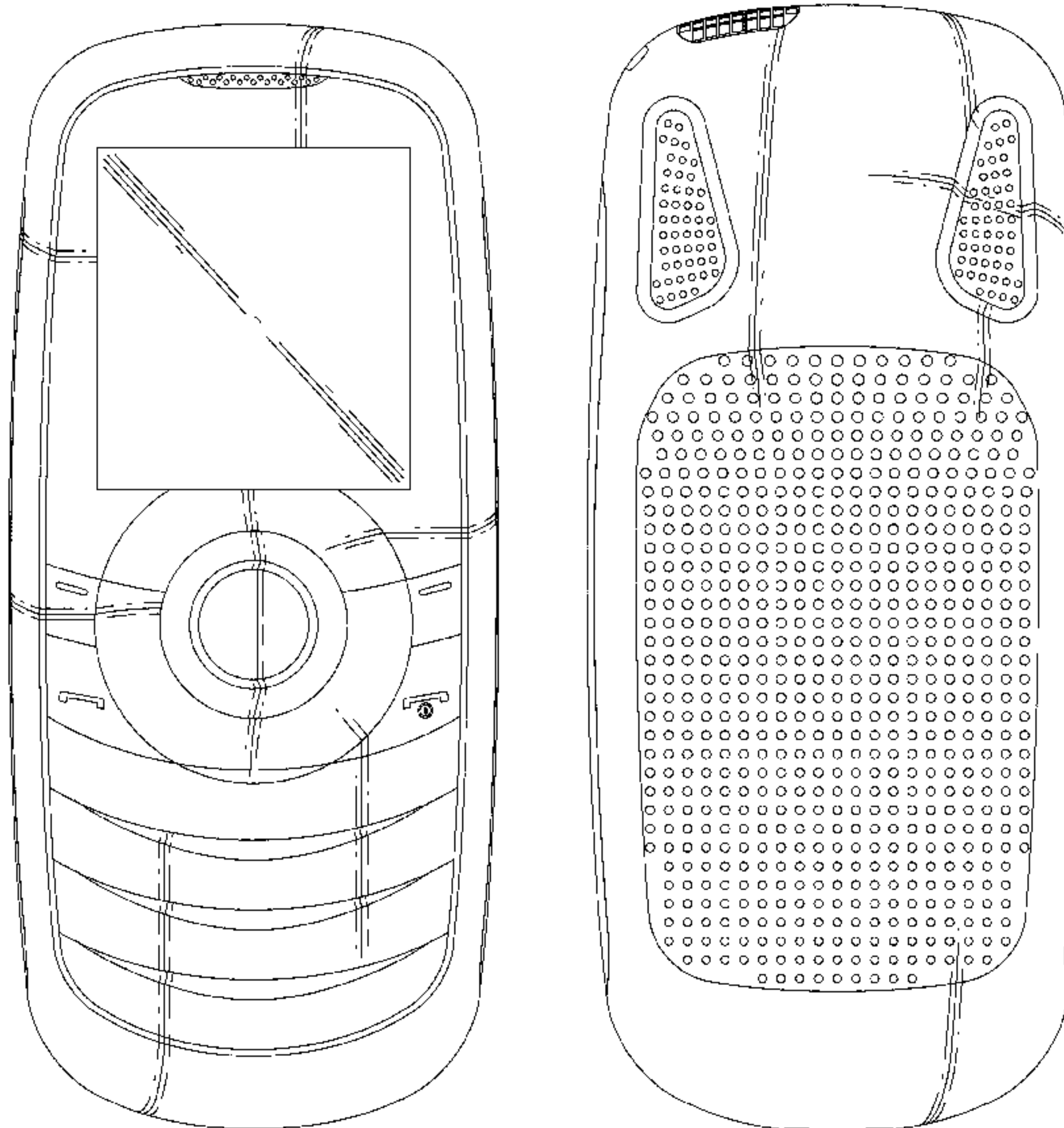
(57) **CLAIM**

The ornamental design for a mobile phone, as shown and described.

DESCRIPTION

FIG. 1 is a perspective view of a mobile phone;
FIG. 2 is a front view of the mobile phone of FIG. 1;
FIG. 3 is a rear view of the mobile phone of FIG. 1;
FIG. 4 is a left-side view of the mobile phone of FIG. 1;
FIG. 5 is a right-side view of the mobile phone of FIG. 1;
FIG. 6 is a top plan view of the mobile phone of FIG. 1;
FIG. 7 is a bottom plan view of the mobile phone of FIG. 1;
and,
FIG. 8 is a partial enlarged view of FIG. 6 that is included to more clearly depict the design feature on the back of the mobile phone, as viewed from the top plan view (a-a', b-b', c-c' d-d') of FIG. 6.

1 Claim, 6 Drawing Sheets



OTHER PUBLICATIONS

Samsung L170 telephone, announced Jan. 2008, [online], [site visited Aug. 23, 2011]. Available from Internet, <URL: <http://www.gsmarena.com>>.*

Nokia 1800 telephone, announced Nov. 2009, [online], [site visited Aug. 23, 2011]. Available from Internet, <URL: <http://www.gsmarena.com>>.*

Alcatel OT-103 telephone, announced Jun. 2009, [online], [site visited Aug. 23, 2011]. Available from Internet, <URL: <http://www.gsmarena.com>>.*

Motorola WX161 telephone, announced Apr. 2010, [online], [site visited Aug. 23, 2011]. Available from Internet, <URL: <http://www.gsmarena.com>>.*

* cited by examiner

FIG. 1

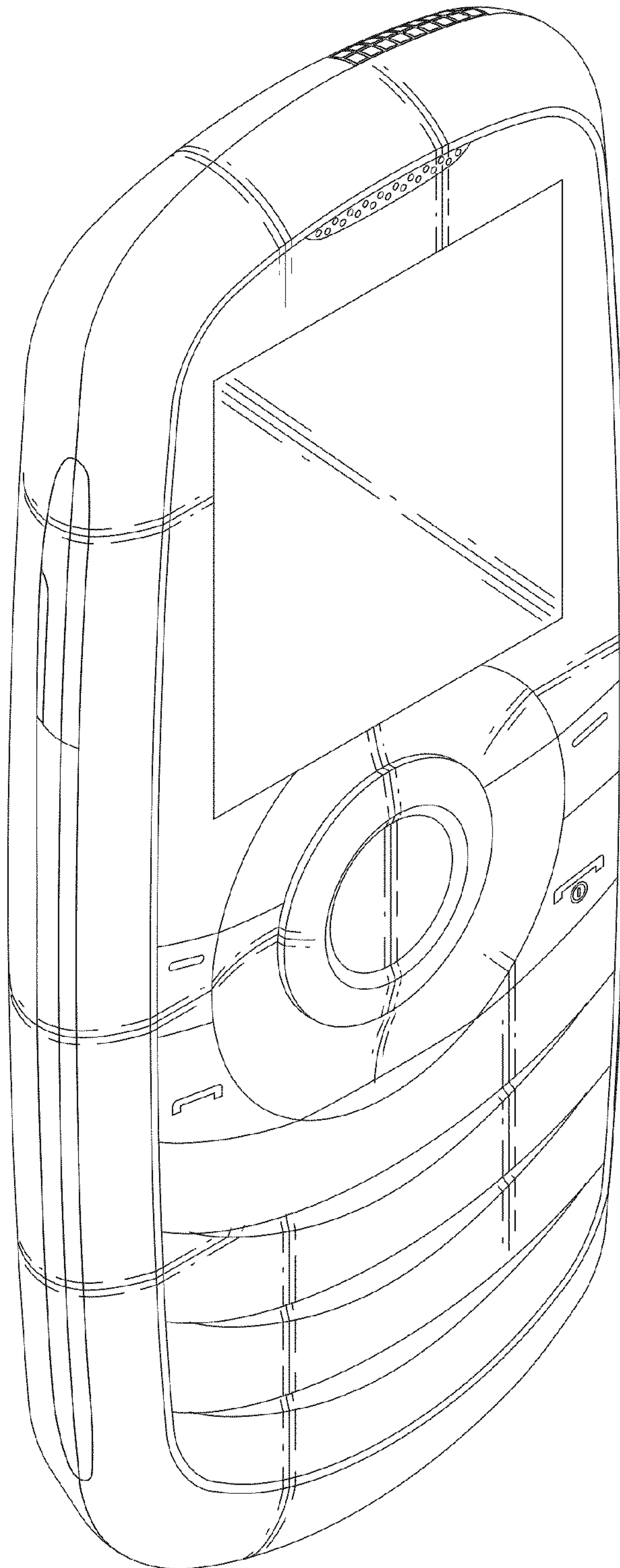


FIG. 2

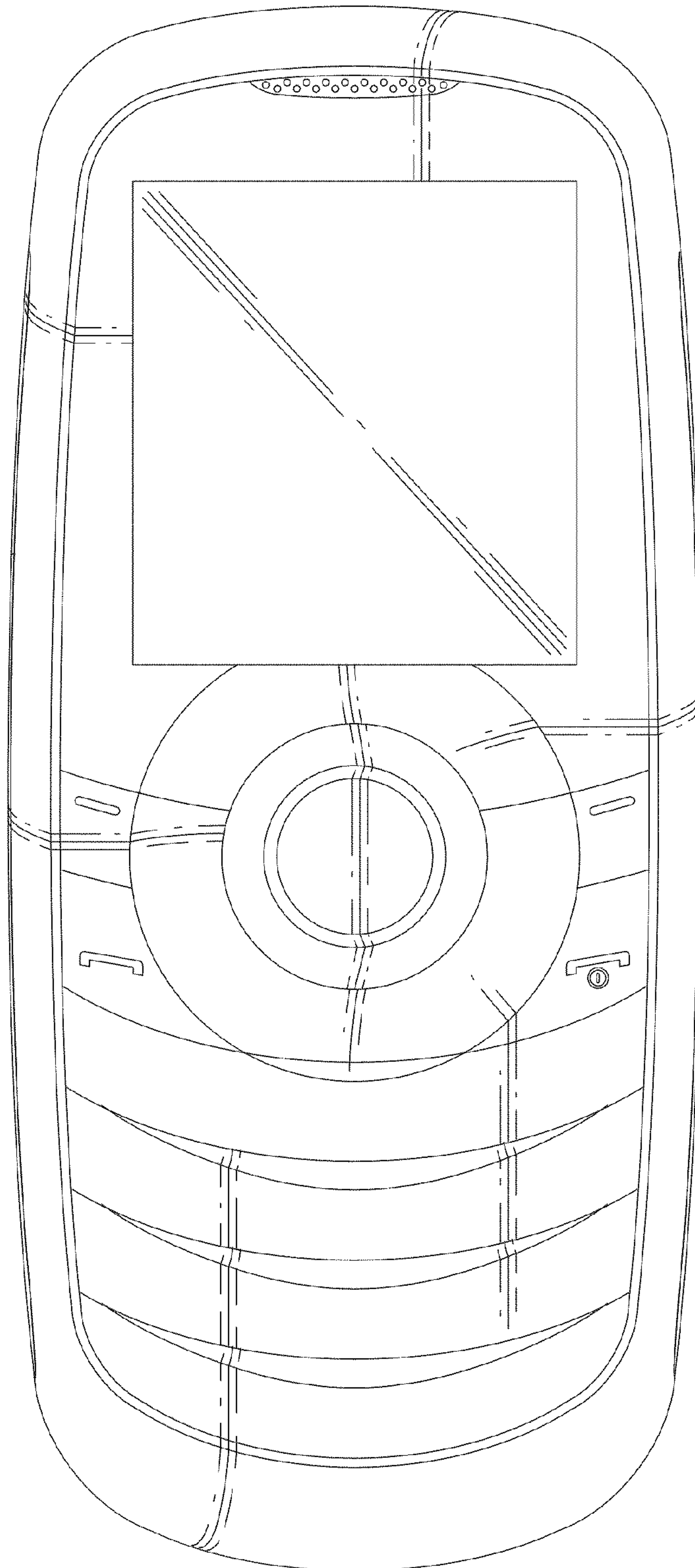


FIG. 3

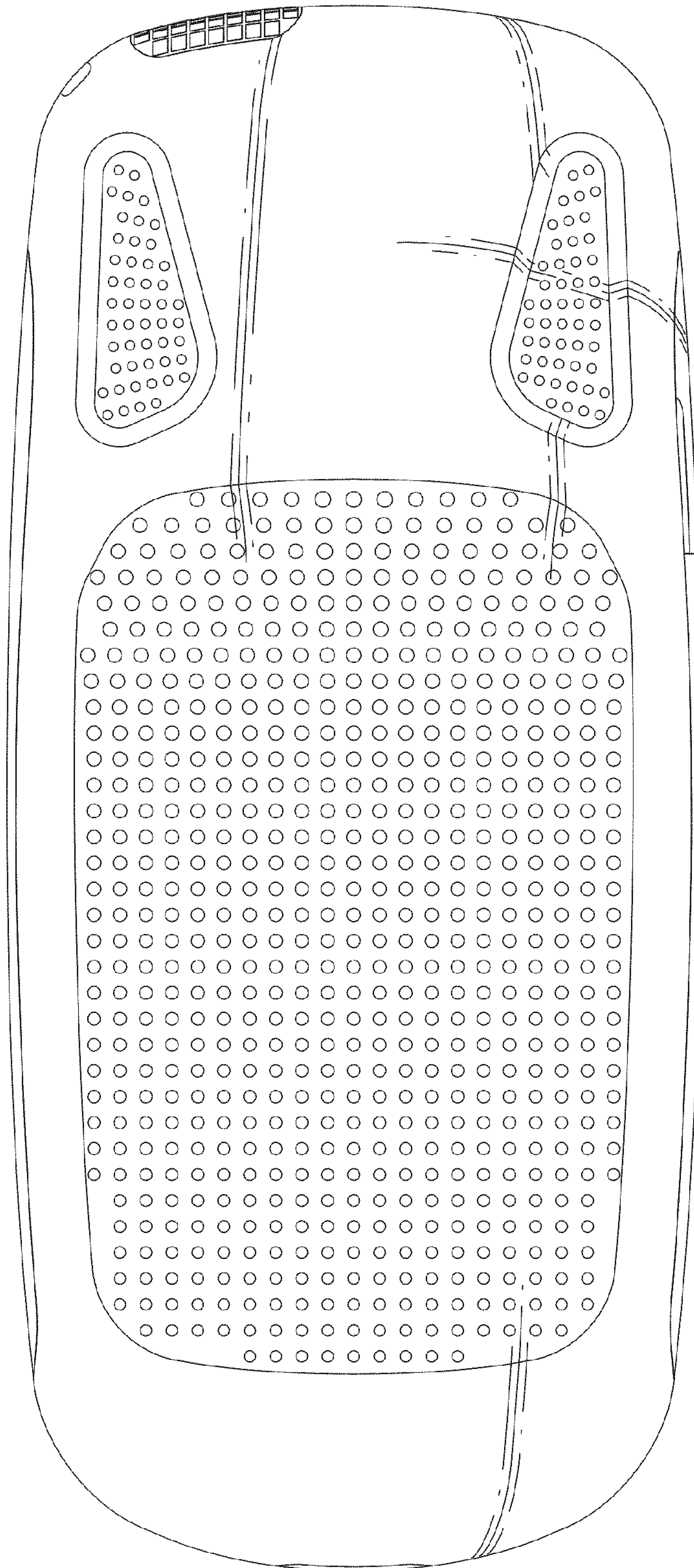


FIG. 4

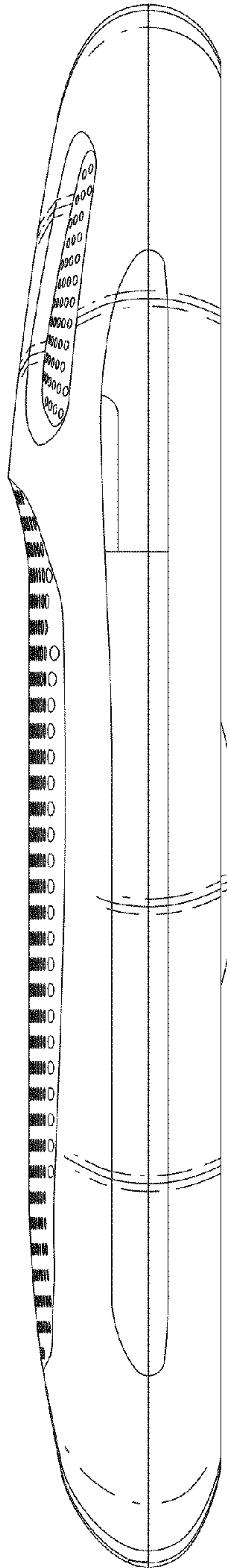


FIG. 5

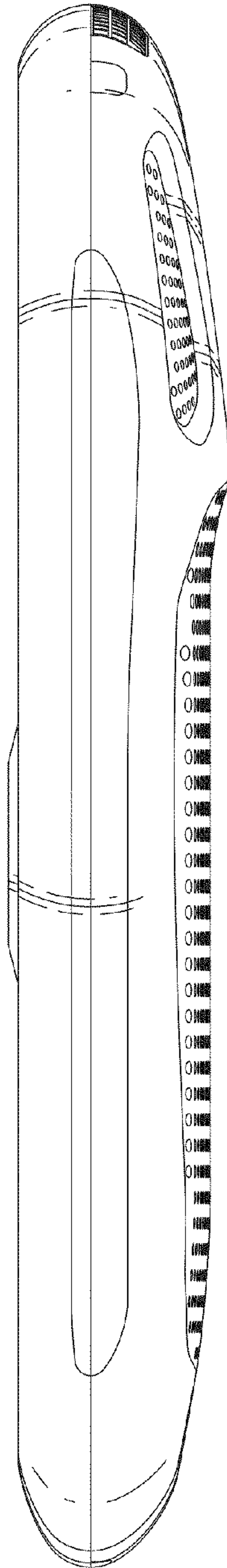


FIG. 6

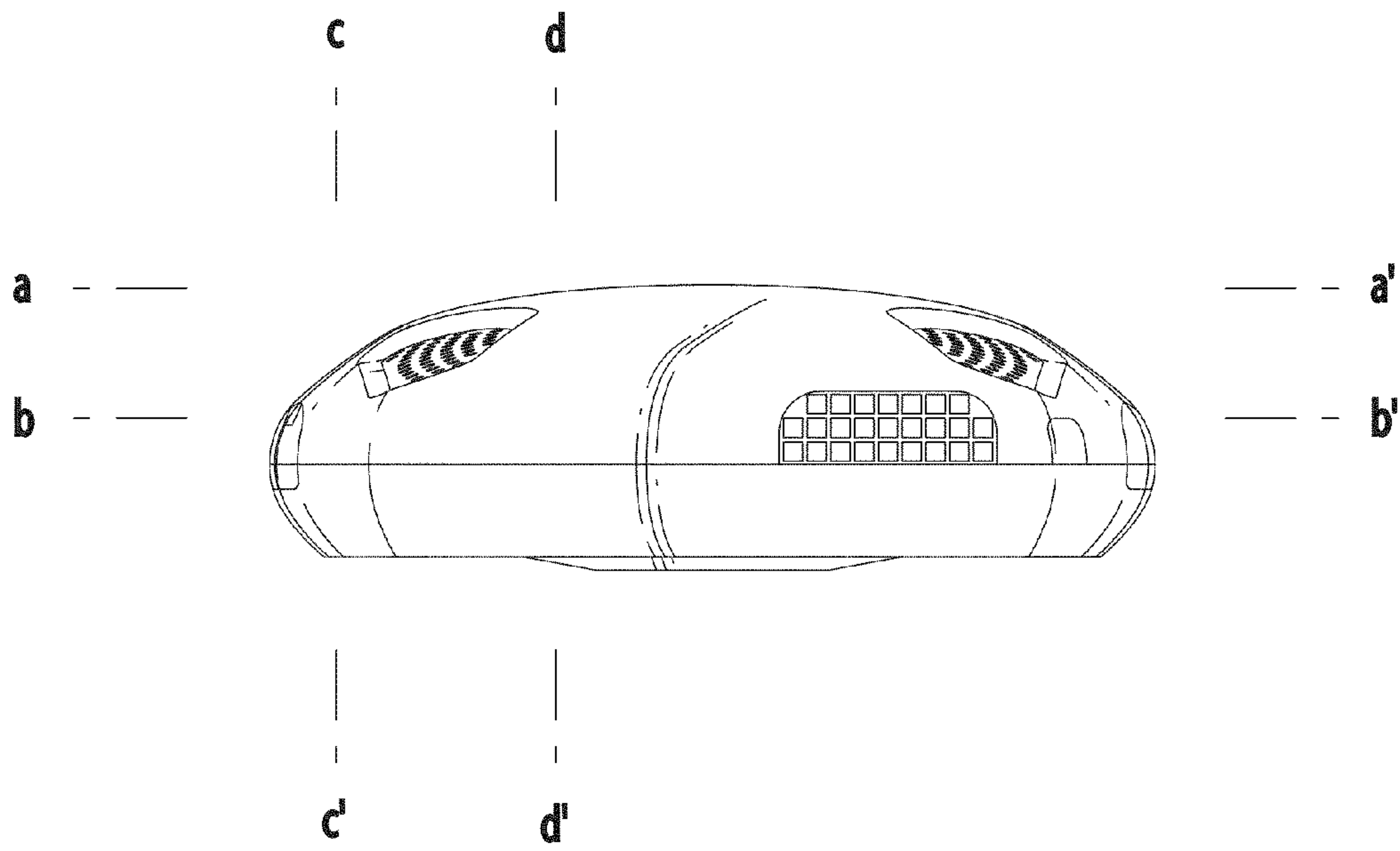


FIG. 7

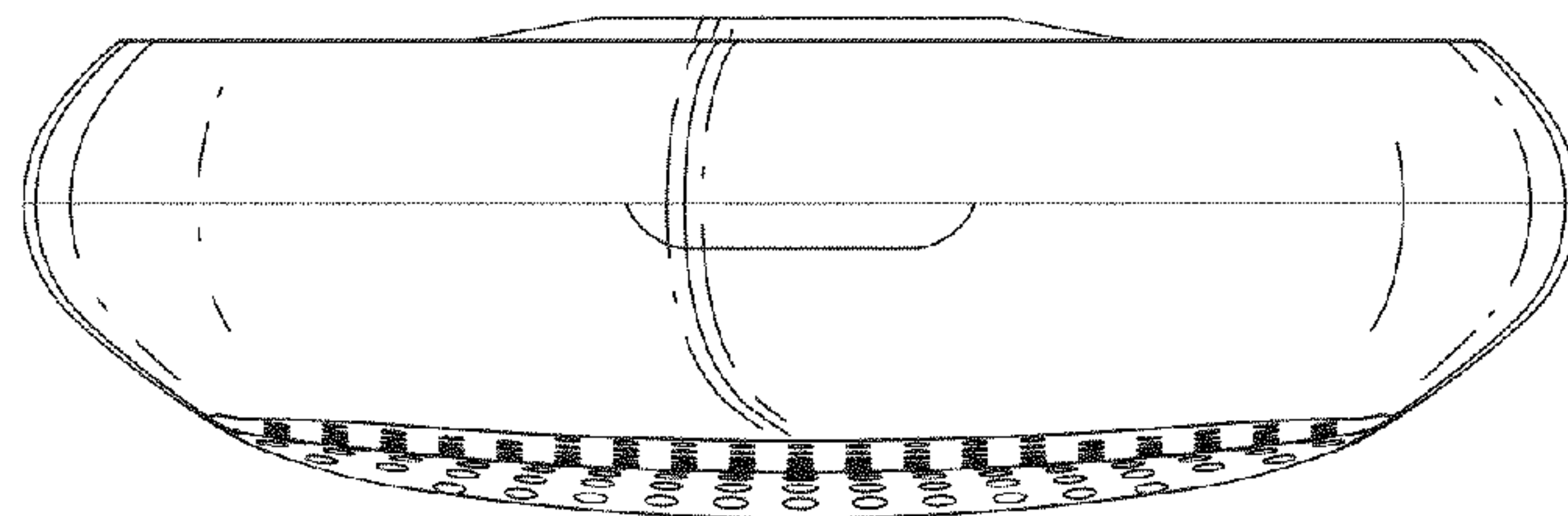


FIG. 8

