



US00D652012S

(12) **United States Design Patent**
Jung et al.

(10) **Patent No.:** **US D652,012 S**
(45) **Date of Patent:** **** Jan. 10, 2012**

(54) **MOBILE PHONE**

(75) Inventors: **Jong-Bo Jung**, Seoul (KR); **Sang-Sung Woo**, Seoul (KR)

(73) Assignee: **Samsung Electronics Co., Ltd.** (KR)

(**) Term: **14 Years**

(21) Appl. No.: **29/387,324**

(22) Filed: **Mar. 11, 2011**

(30) **Foreign Application Priority Data**

Dec. 17, 2010 (KR) 30-2010-0054789

(51) **LOC (9) Cl.** **14-03**

(52) **U.S. Cl.** **D14/138 AA; D14/138 AD**

(58) **Field of Classification Search** D14/138 AA,
D14/496, 341, 345, 346, 203.3, 203.4, 203.7,
D14/138 AB, 138 AD, 138 R, 147, 218, 137;
455/575.1, 556.2, 575.3, 575.4; D21/517;
379/433.01, 433.04, 433.11, 433.12, 433.13

See application file for complete search history.

(56) **References Cited**

U.S. PATENT DOCUMENTS

D584,269 S *	1/2009	Baik et al.	D14/138 AA
D584,271 S *	1/2009	Ko et al.	D14/138 AA
D587,669 S *	3/2009	Aarras	D14/138 AA
D593,052 S *	5/2009	Hung	D14/138 AA
D598,416 S *	8/2009	Kangasmaa et al. ..	D14/138 AA
D598,887 S *	8/2009	Xiao et al.	D14/138 AA
D600,665 S *	9/2009	Lee et al.	D14/138 AA
D601,116 S *	9/2009	Baik et al.	D14/138 AA
D601,531 S *	10/2009	Lee et al.	D14/138 AA
D601,533 S *	10/2009	Youn et al.	D14/138 AA
D606,039 S *	12/2009	Henning	D14/138 AA
D607,427 S *	1/2010	Ho et al.	D14/138 AD
D607,864 S *	1/2010	Zhou et al.	D14/138 AA
D608,323 S *	1/2010	Hayahsi et al.	D14/138 AA

D608,757 S *	1/2010	Wang et al.	D14/138 AA
D609,664 S *	2/2010	Lee et al.	D14/138 AA
D610,564 S *	2/2010	Schellen	D14/138 AA
D614,599 S *	4/2010	Kim et al.	D14/138 AA
D617,292 S *	6/2010	Chen et al.	D14/138 AA
D617,300 S *	6/2010	Tzeng et al.	D14/138 AA
D631,454 S *	1/2011	Cui	D14/138 AA
D636,367 S *	4/2011	Li	D14/138 AA
D639,259 S *	6/2011	Anderson	D14/138 AA
D640,226 S *	6/2011	Park et al.	D14/138 AA
D643,394 S *	8/2011	Kao	D14/138 AA
2009/0170576 A1*	7/2009	Minamide et al.	455/575.4

OTHER PUBLICATIONS

Samsung T401G telephone, announced Oct. 2009, [online], [site visited Aug. 23, 2011]. Available from Internet, <URL: <http://www.gsmarena.com>>.*

Nokia 5730 XpressMusic telephone, announced Mar. 2009, [online], [site visited Aug. 23, 2011]. Available from Internet, <URL: <http://www.gsmarena.com>>.*

(Continued)

Primary Examiner — Jeffrey D Asch

(74) *Attorney, Agent, or Firm* — NSIP Law

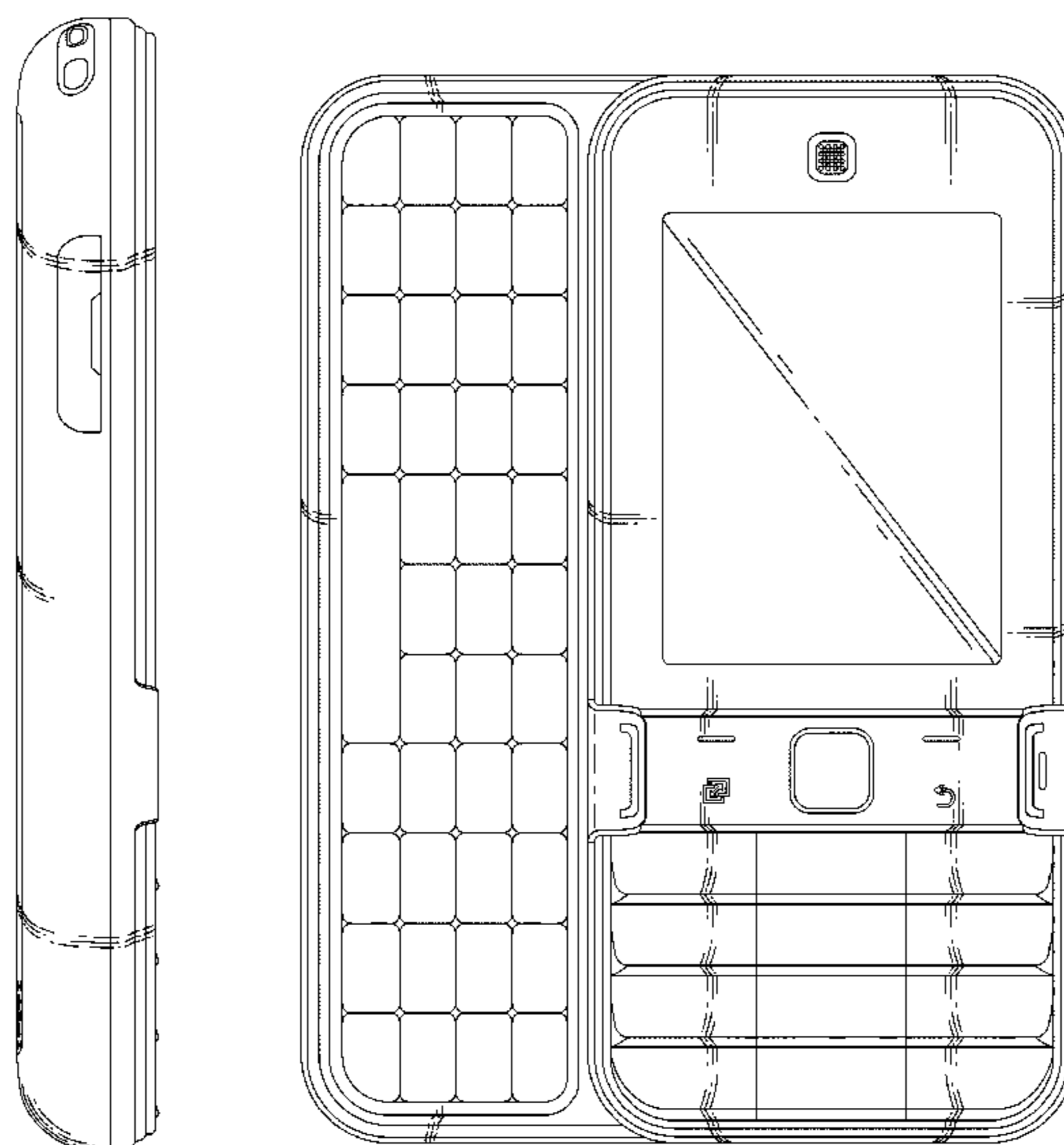
(57) **CLAIM**

The ornamental design for a mobile phone, as shown and described.

DESCRIPTION

FIG. 1 is a perspective view of a mobile phone; FIG. 2 is a front view of the mobile phone of FIG. 1; FIG. 3 is a rear view of the mobile phone of FIG. 1; FIG. 4 is a left-side view of the mobile phone of FIG. 1; FIG. 5 is a right-side view of the mobile phone of FIG. 1; FIG. 6 is a top plan view of the mobile phone of FIG. 1; and FIG. 7 is a bottom plan view of the mobile phone of FIG. 1; and, FIG. 8 is an open front view of the mobile phone of FIG. 1.

1 Claim, 6 Drawing Sheets



OTHER PUBLICATIONS

HTC S740 telephone, announced Aug. 2008, [online], [site visited Aug. 23, 2011]. Available from Internet, <URL: <http://www.gsmarena.com>>.*

Nokia E75 telephone, announced Feb. 2008, [online], [site visited Aug. 23, 2011]. Available from Internet, <URL: <http://www.gsmarena.com>>.*

Sony Ericsson V630 telephone, announced May 2006, [online], [site visited Aug. 23, 2011]. Available from Internet, <URL: <http://www.gsmarena.com>>.*

Sony Ericsson K530 telephone, announced Jun. 2007, [online], [site visited Aug. 23, 2011]. Available from Internet, <URL: <http://www.gsmarena.com>>.*

Samsung T459 Gravity telephone, announced Nov. 2008, [online], [site visited Aug. 23, 2011]. Available from Internet, <URL: <http://www.gsmarena.com>>.*

Nokia N82 telephone, announced Nov. 2007, [online], [site visited Aug. 23, 2011]. Available from Internet, <URL: <http://www.gsmarena.com>>.*

* cited by examiner

FIG. 1

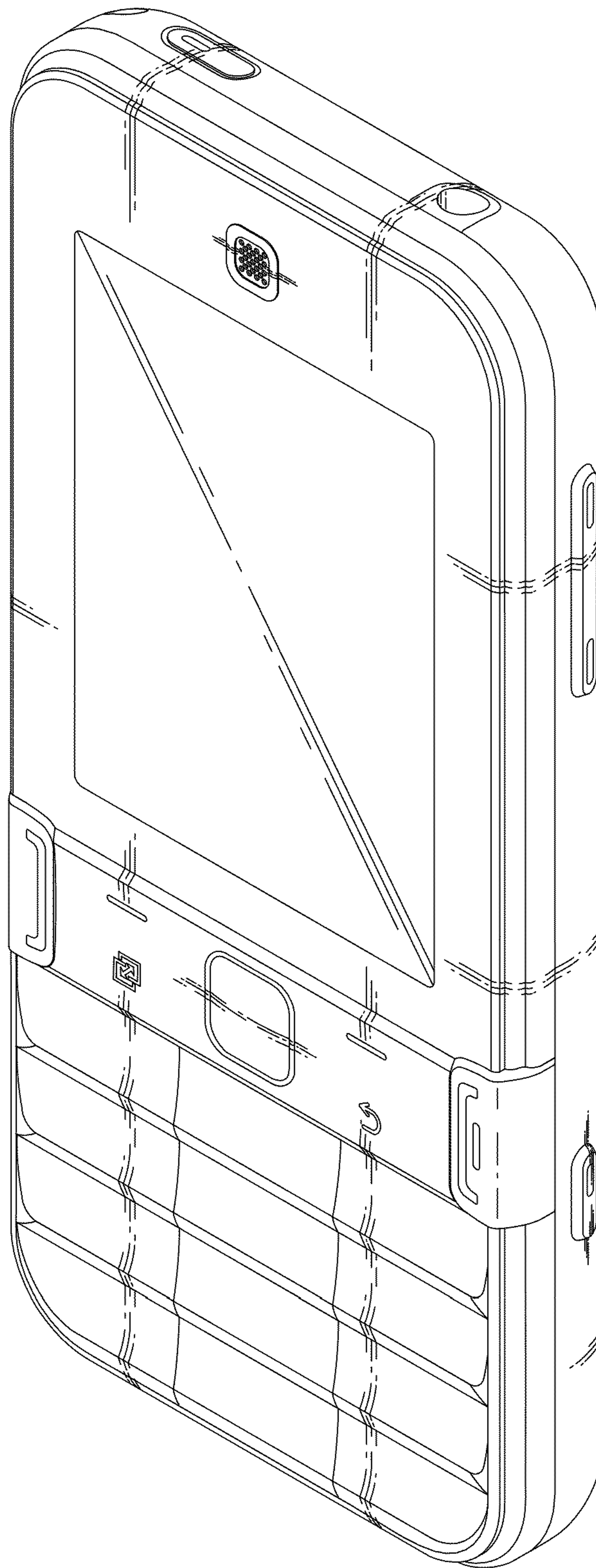


FIG. 2

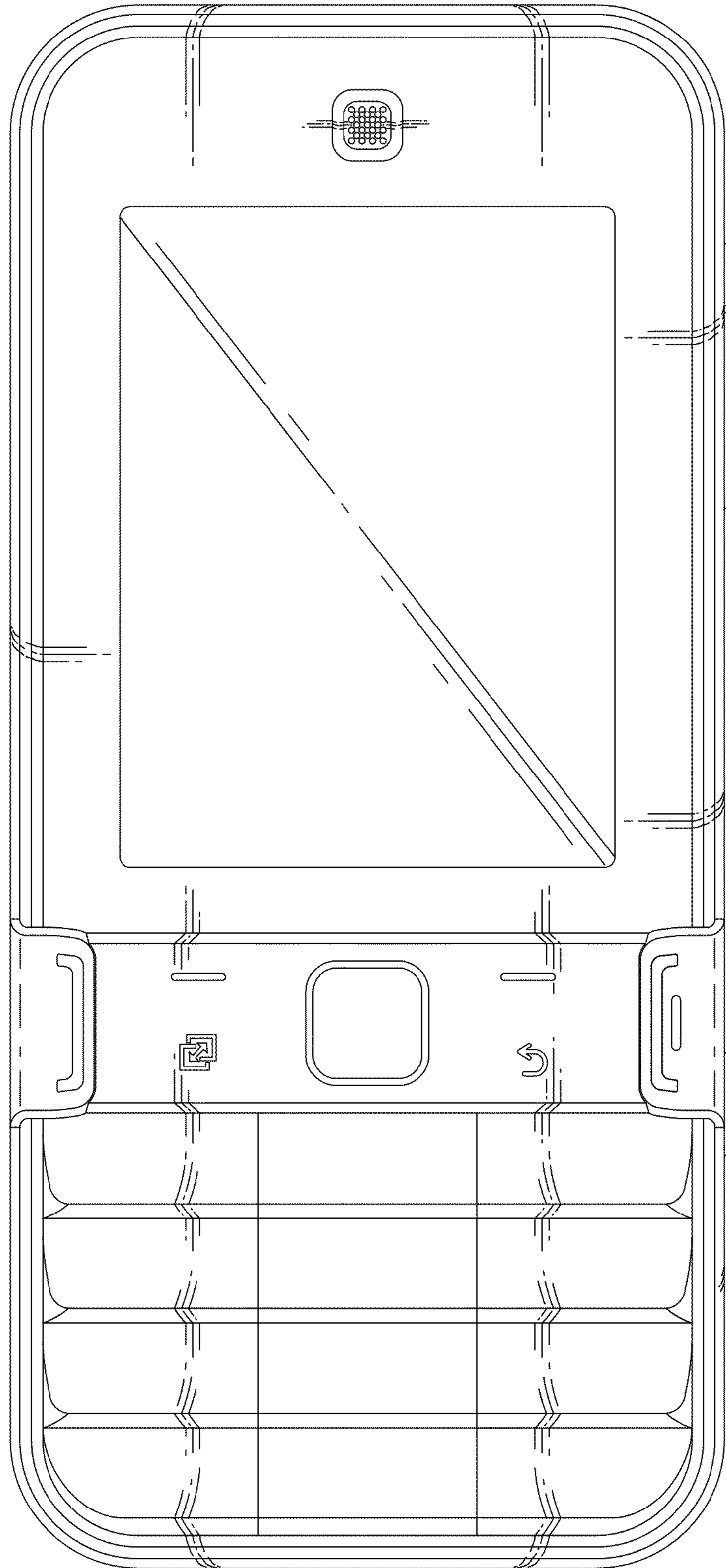


FIG. 3

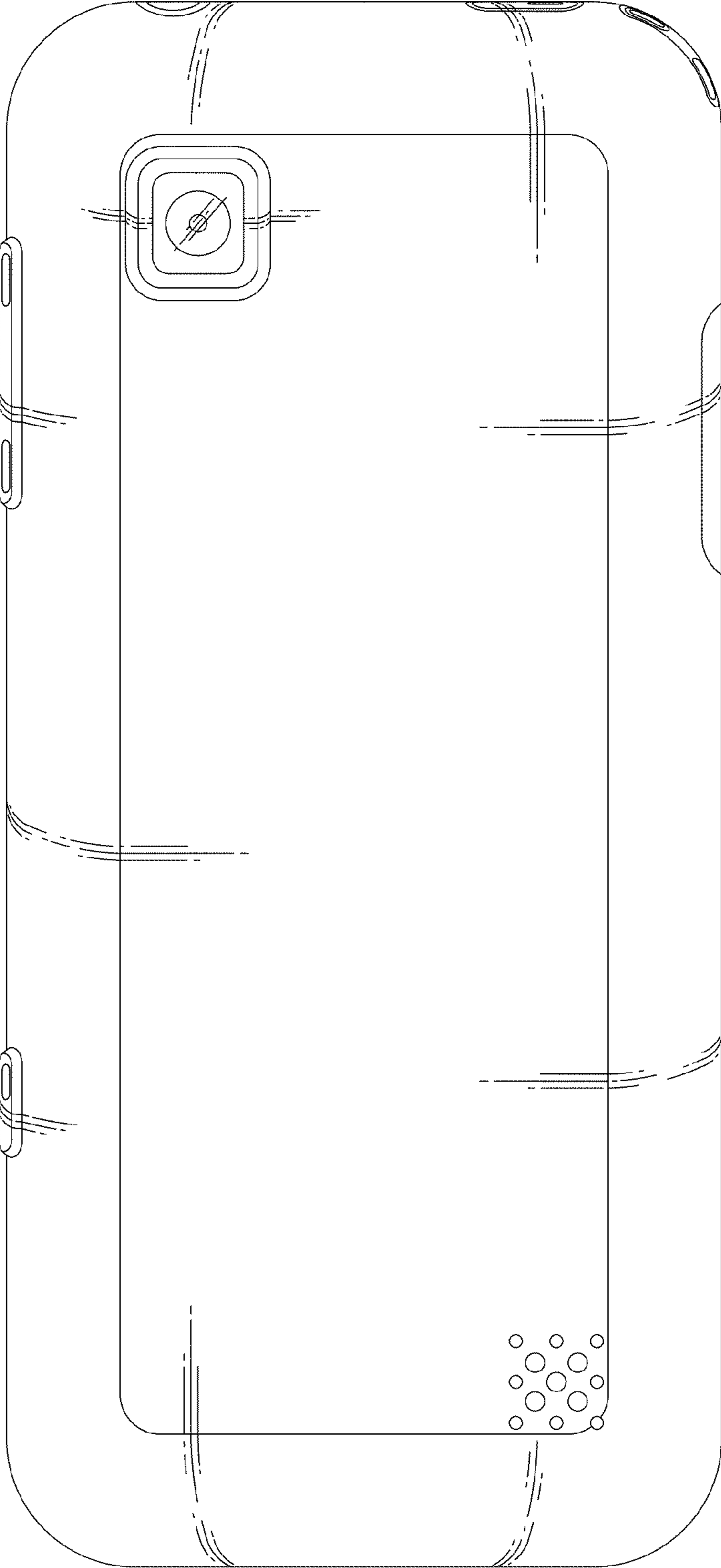


FIG. 4

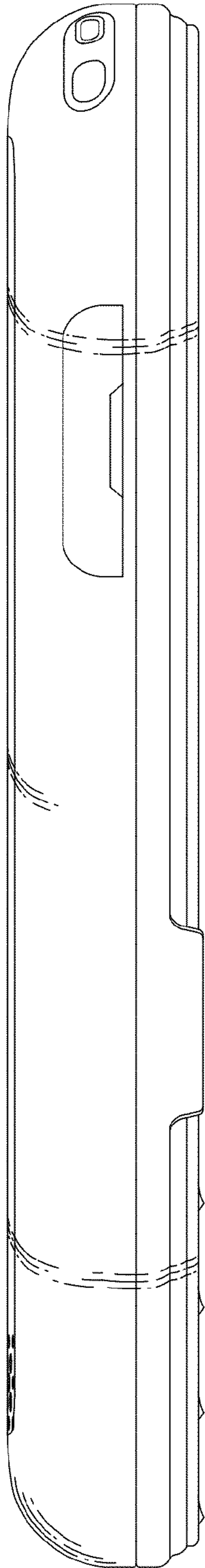


FIG. 5

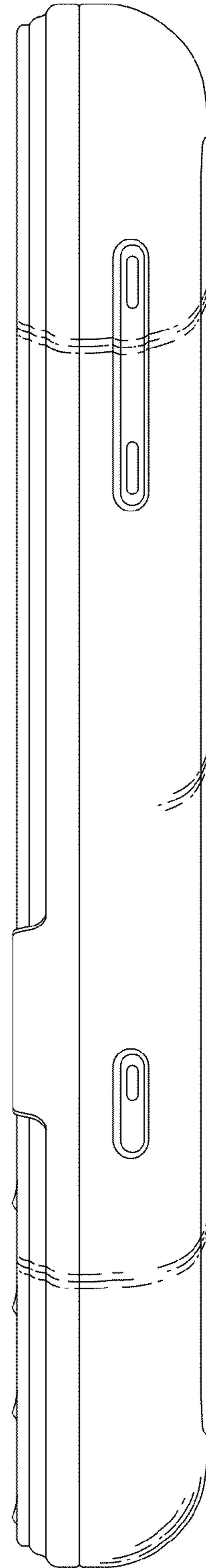


FIG. 6

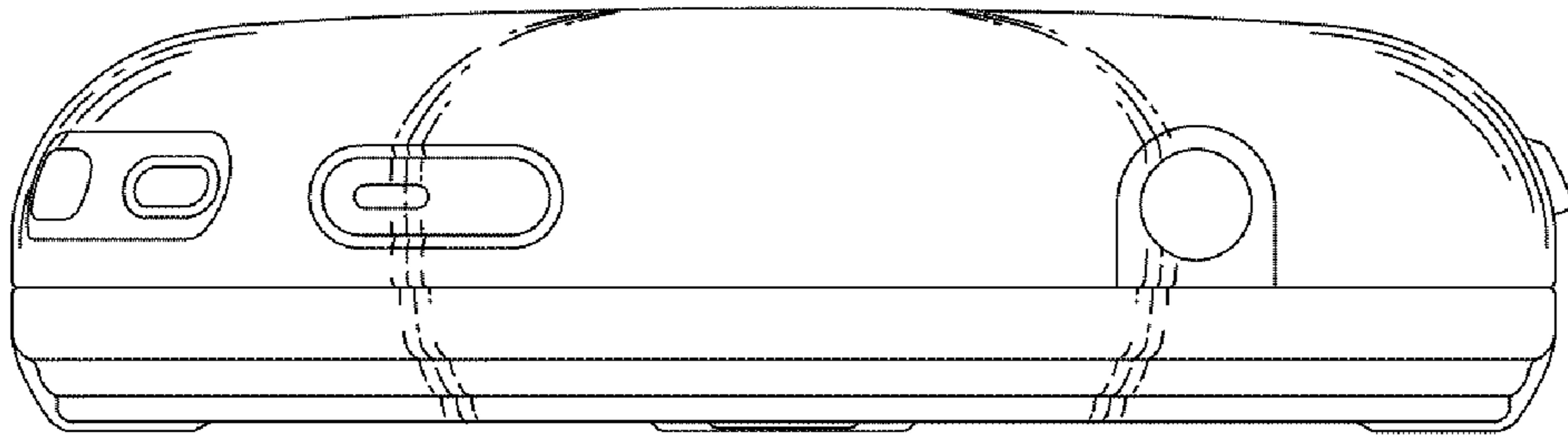


FIG. 7

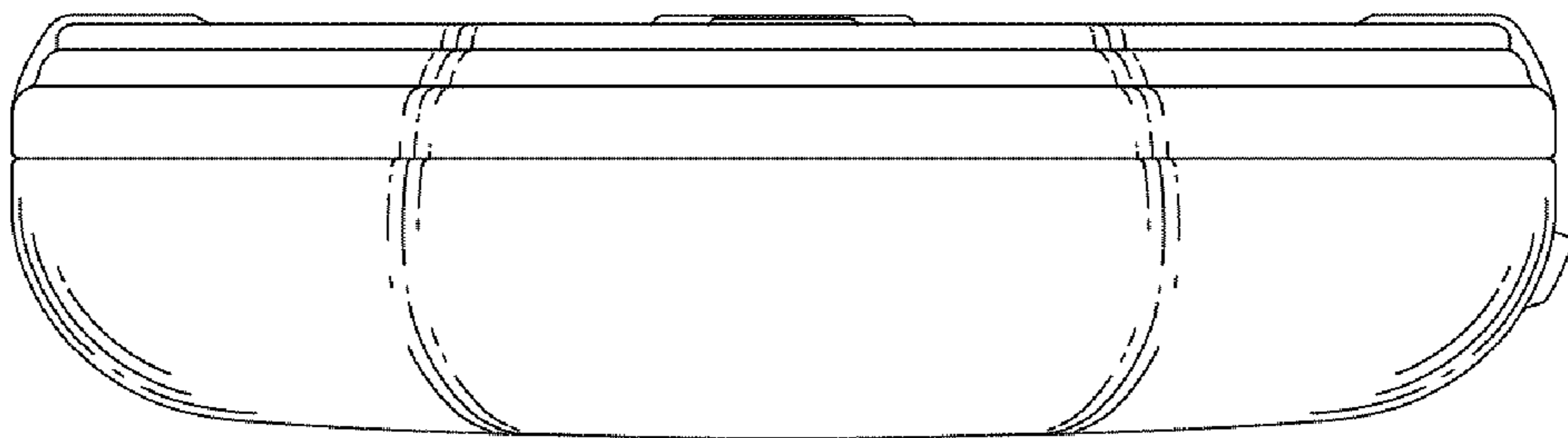


FIG. 8

