



US00D652010S

(12) **United States Design Patent**
Chung

(10) **Patent No.:** **US D652,010 S**
(45) **Date of Patent:** **** Jan. 10, 2012**

(54) **MOBILE PHONE**

(75) Inventor: **Jin-Man Chung**, Goyang-Si (KR)

(73) Assignee: **Samsung Electronics Co., Ltd.** (KR)

(**) Term: **14 Years**

(21) Appl. No.: **29/387,205**

(22) Filed: **Mar. 10, 2011**

(30) **Foreign Application Priority Data**

Dec. 10, 2010 (KR) 30-2010-0053621

(51) **LOC (9) Cl.** **14-03**

(52) **U.S. Cl.** **D14/138 AA**

(58) **Field of Classification Search** D14/138 AA,
D14/496, 341, 345, 346, 203.3, 203.4, 203.7,
D14/138 AB, 138 AD, 138 R, 147, 218, 137;
455/575.1, 556.2, 575.3, 575.4; D21/517;
379/433.01, 433.04, 433.11, 433.12, 433.13

See application file for complete search history.

(56) **References Cited**

U.S. PATENT DOCUMENTS

D548,217 S *	8/2007	Choi et al.	D14/138 AA
D556,171 S *	11/2007	Lee et al.	D14/138 AA
D560,646 S *	1/2008	Yun et al.	D14/138 AA
D573,570 S *	7/2008	Park et al.	D14/138 AA
D573,967 S *	7/2008	Tsai et al.	D14/138 AA
D579,909 S *	11/2008	Huang et al.	D14/138 AA
D596,599 S *	7/2009	Kim et al.	D14/138 AA
D601,106 S *	9/2009	Kim et al.	D14/138 AA
D606,956 S *	12/2009	Wang et al.	D14/138 AA
D607,867 S *	1/2010	Baik et al.	D14/138 AA
D610,112 S *	2/2010	Kim et al.	D14/138 AA
D610,113 S *	2/2010	Park et al.	D14/138 AA
D610,119 S *	2/2010	Kim et al.	D14/138 AA
D610,121 S *	2/2010	Lee et al.	D14/138 AA
D610,566 S *	2/2010	Chang	D14/138 AA

D615,944 S *	5/2010	Jeong et al.	D14/138 AA
D617,300 S *	6/2010	Tzeng et al.	D14/138 AA
D620,911 S *	8/2010	Kim et al.	D14/138 AA
D626,934 S *	11/2010	Lee et al.	D14/138 AA
D628,182 S *	11/2010	Hirano	D14/138 AA
D631,453 S *	1/2011	Chen	D14/138 AA
D632,662 S *	2/2011	Ng	D14/138 AA
D635,110 S *	3/2011	Mota Veiga et al. ..	D14/138 AA
D639,265 S *	6/2011	Kao	D14/138 AA
D639,768 S *	6/2011	Yang	D14/138 AA
D639,769 S *	6/2011	Wang	D14/138 AA

OTHER PUBLICATIONS

Samsung E2232 telephone, announced Apr. 2011, [online], [site visited Aug. 23, 2011]. Available from Internet, <URL: <http://www.gsmarena.com>>.*

Nokia X2 telephone, announced Apr. 2010, [online], [site visited Aug. 23, 2011]. Available from Internet, <URL: <http://www.gsmarena.com>>.*

LG GB190 telephone, announced Oct. 2009, [online], [site visited Aug. 23, 2011]. Available from Internet, <URL: <http://www.gsmarena.com>>.*

(Continued)

Primary Examiner — Jeffrey D Asch

(74) *Attorney, Agent, or Firm* — NSIP Law

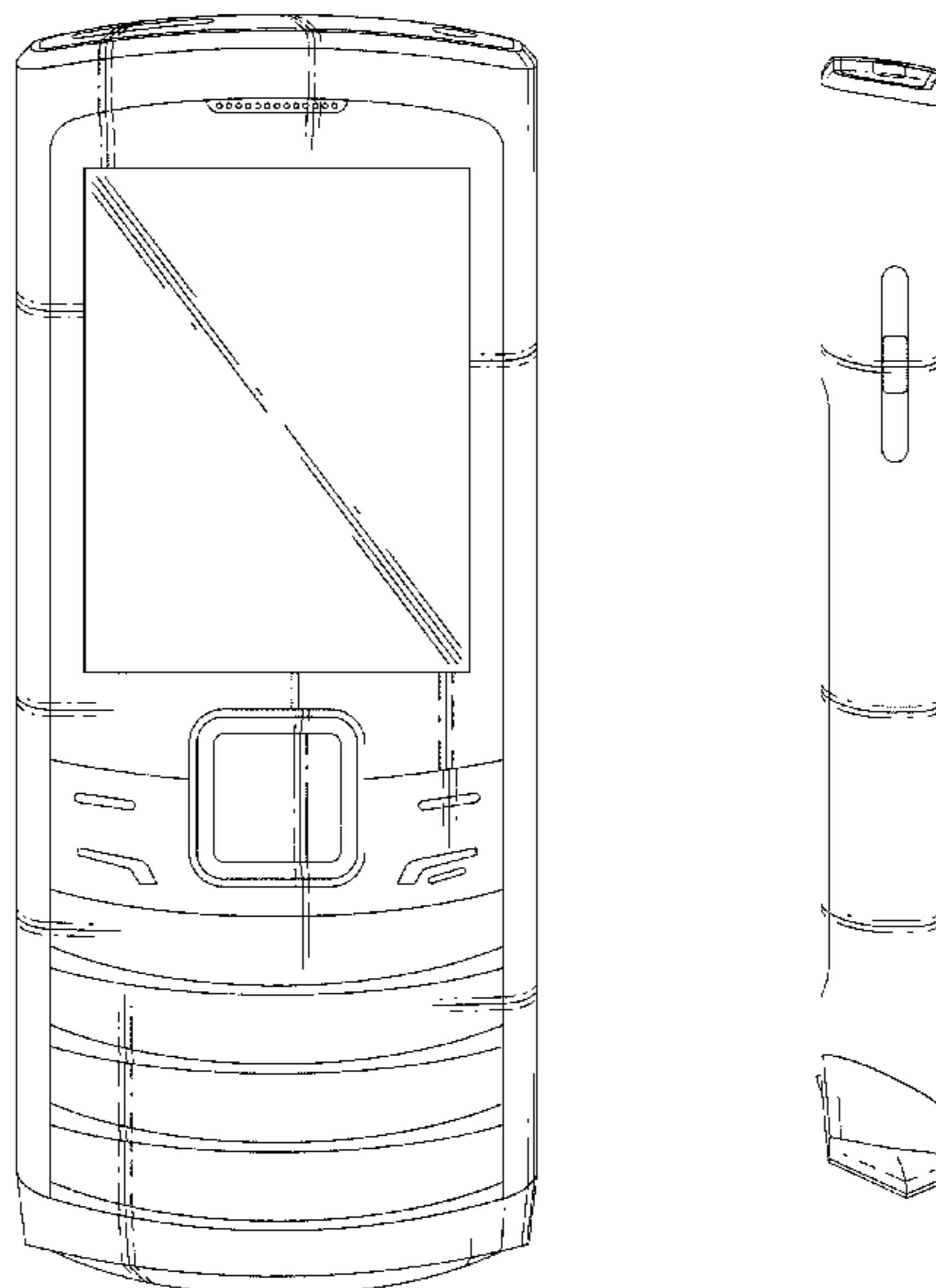
(57) **CLAIM**

The ornamental design for a mobile phone, as shown and described.

DESCRIPTION

FIG. 1 is a perspective view of a mobile phone;
FIG. 2 is a front view of the mobile phone of FIG. 1;
FIG. 3 is a rear view of the mobile phone of FIG. 1;
FIG. 4 is a left-side view of the mobile phone of FIG. 1;
FIG. 5 is a right-side view of the mobile phone of FIG. 1;
FIG. 6 is a top plan view of the mobile phone of FIG. 1; and,
FIG. 7 is a bottom plan view of the mobile phone of FIG. 1.

1 Claim, 5 Drawing Sheets



OTHER PUBLICATIONS

LG S310 telephone, announced Nov. 2010, [online], [site visited Aug. 23, 2011]. Available from Internet, <URL: <http://www.gsmarena.com>>.*

Micromax Xi plus telephone, announced Nov. 2009, [online], [site visited Aug. 23, 2011]. Available from Internet, <URL: <http://www.gsmarena.com>>.*

Nokia X1-00 telephone, announced Mar. 2011, [online], [site visited Aug. 23, 2011]. Available from Internet, <URL: <http://www.gsmarena.com>>.*

Motorola W215 telephone, announced Feb. 2007, [online], [site visited Aug. 23, 2011]. Available from Internet, <URL: <http://www.gsmarena.com>>.*

Samsung X610 telephone, announced 1st quarter 2004, [online], [site visited Aug. 23, 2011]. Available from Internet, <URL: <http://www.gsmarena.com>>.*

ZTE F101 telephone, announced 2009, [online], [site visited Aug. 23, 2011]. Available from Internet, <URL: <http://www.gsmarena.com>>.*

* cited by examiner

FIG. 1

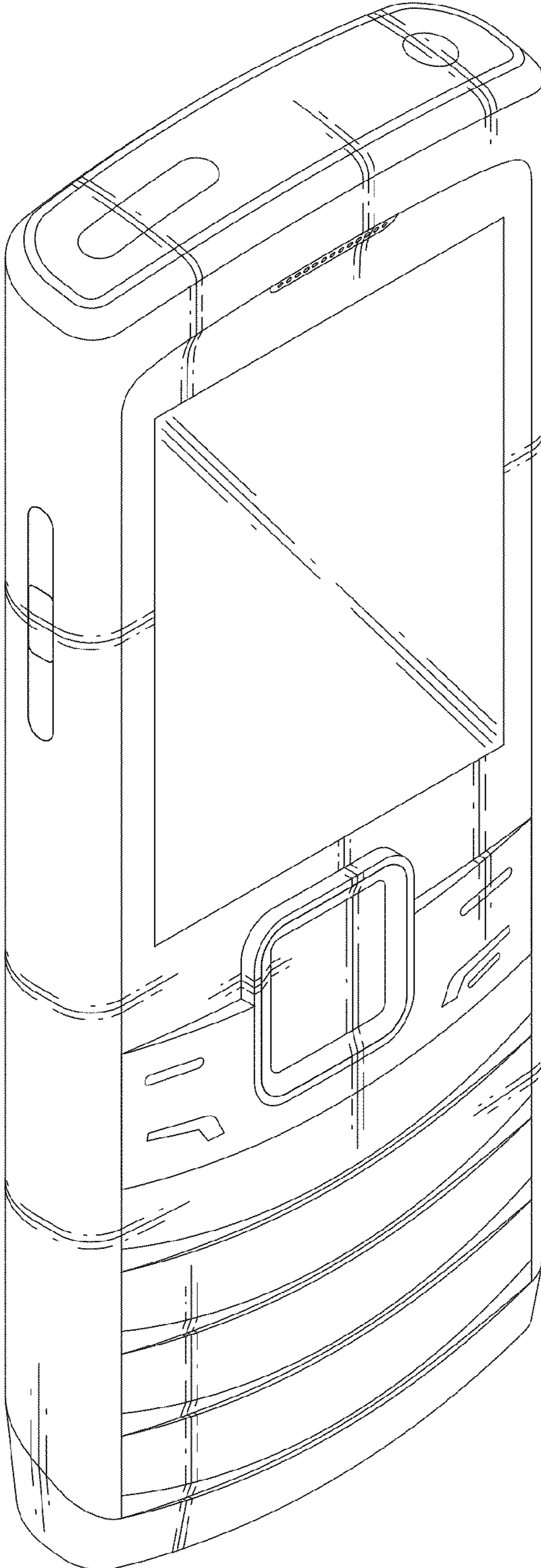


FIG. 2

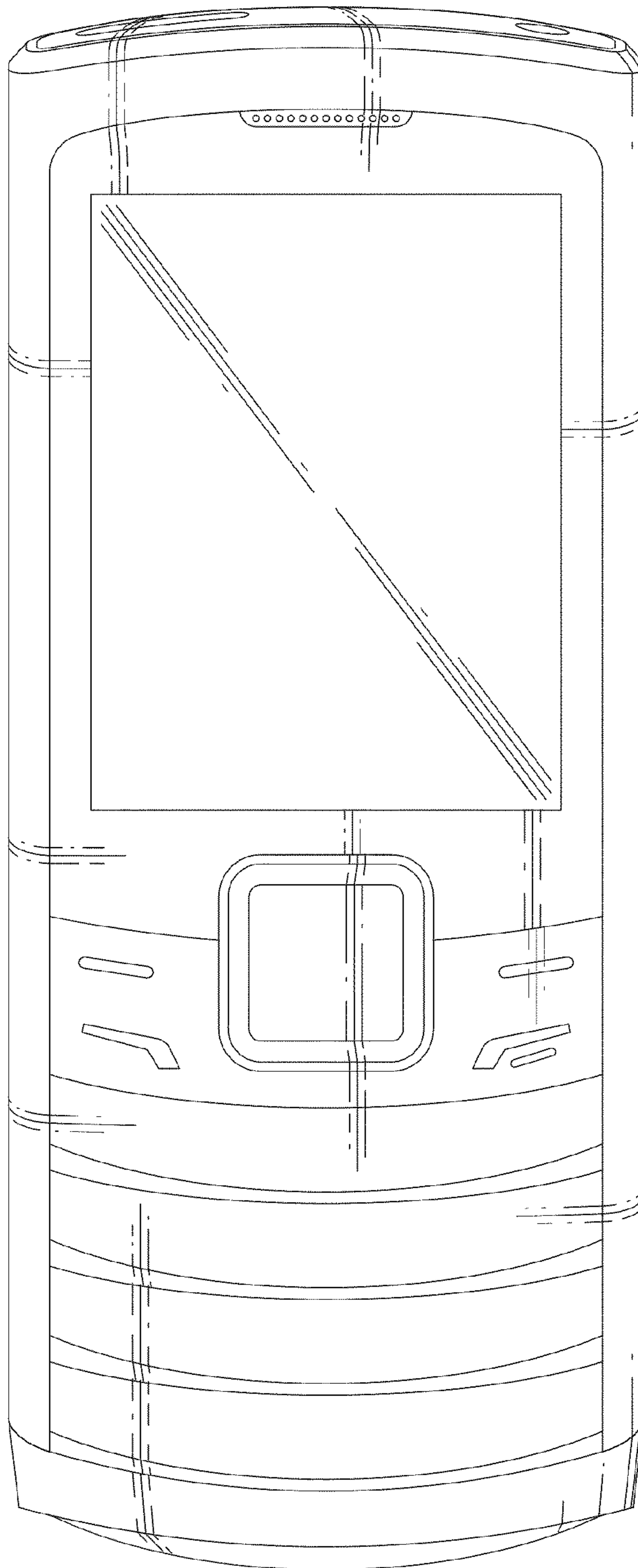


FIG. 3

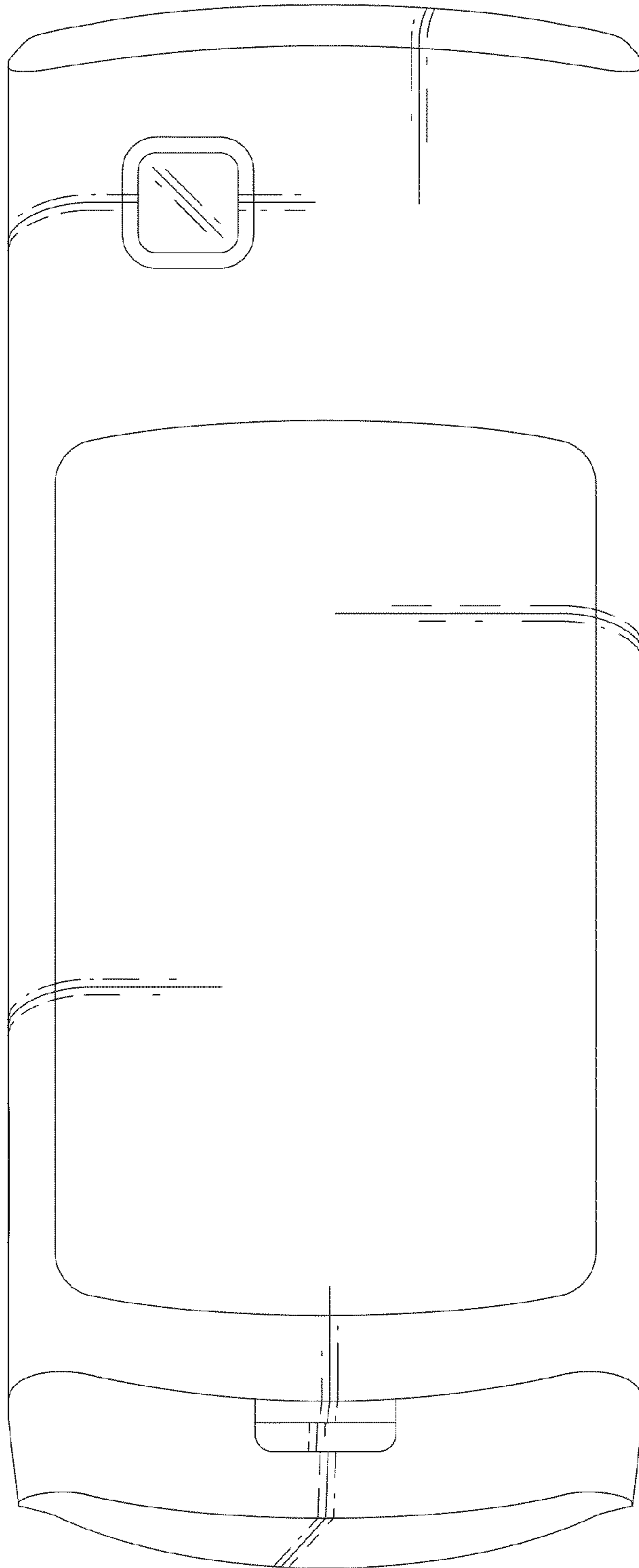


FIG. 4

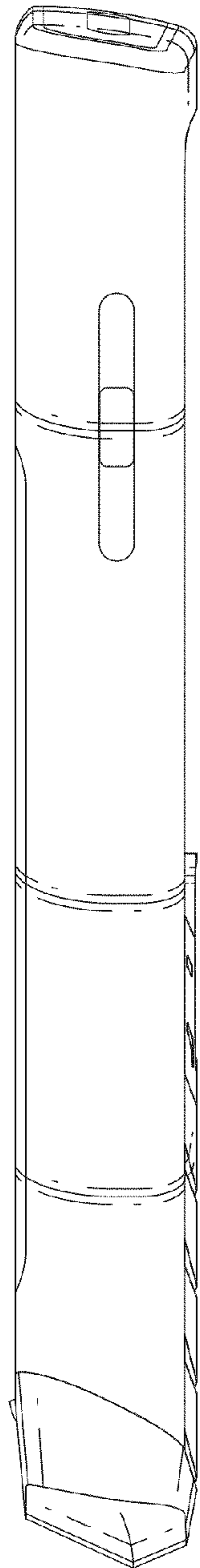


FIG. 5

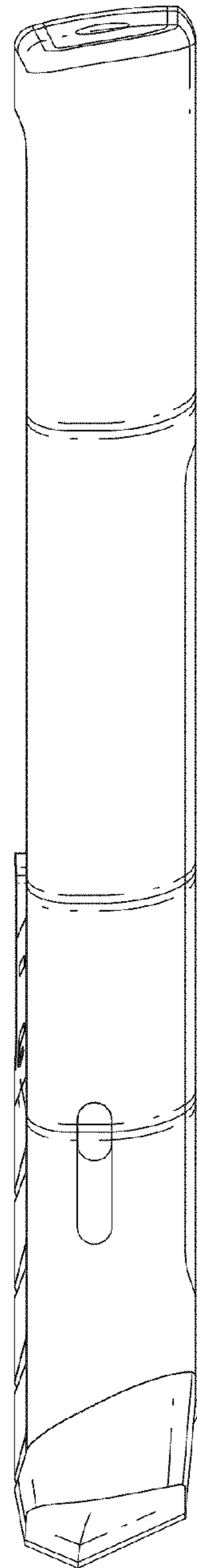


FIG. 6

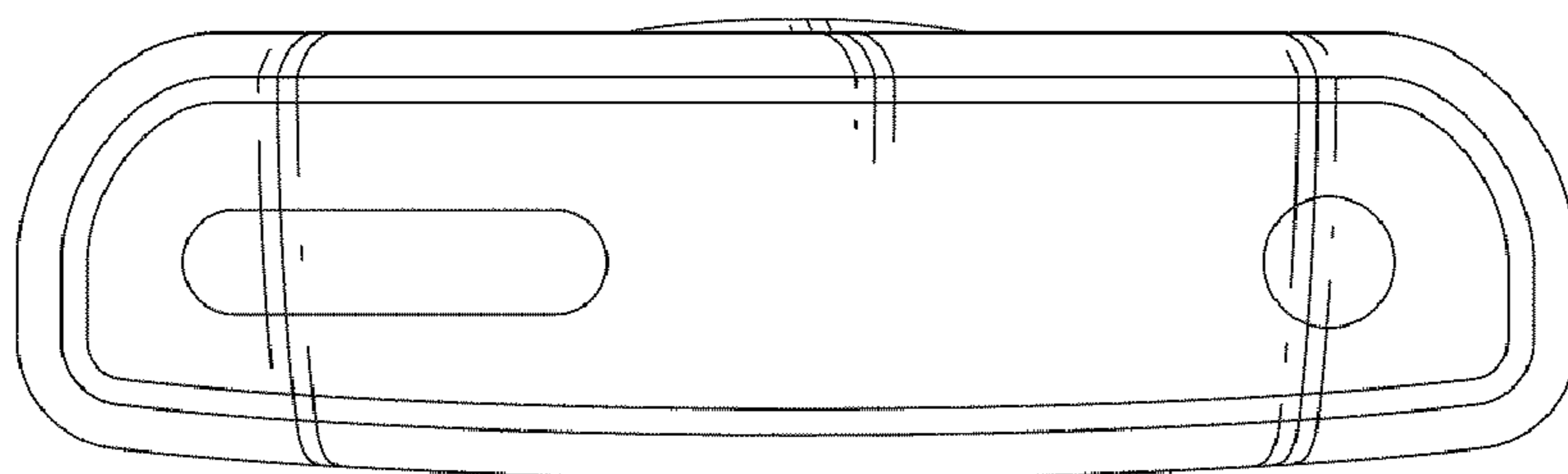


FIG. 7

