



US00D652008S

(12) **United States Design Patent**  
**Kim et al.**

(10) **Patent No.:** **US D652,008 S**  
(45) **Date of Patent:** **\*\* Jan. 10, 2012**

(54) **MOBILE PHONE**

(75) Inventors: **Chang-Hwan Kim**, Kimpo-Si (KR);  
**Min-Hyouk Lee**, Seoul (KR);  
**Chang-Hwan Hwang**, Seongnam-Si (KR)

(73) Assignee: **Samsung Electronics Co., Ltd.** (KR)

(\*\*) Term: **14 Years**

(21) Appl. No.: **29/387,098**

(22) Filed: **Mar. 9, 2011**

(30) **Foreign Application Priority Data**

Dec. 10, 2010 (KR) ..... 30-2010-0053598

(51) **LOC (9) Cl.** ..... **14-03**

(52) **U.S. Cl.** ..... **D14/138 G**

(58) **Field of Classification Search** ..... D14/138 R,  
D14/138 AD, 138 AC, 138 C, 138 G, 191,  
D14/203.1-203.8, 496, 138 AA, 138 AB,  
D14/137, 147, 218, 341-347, 247-248; D10/65,  
D10/78, 104; D13/168; D18/7; 455/566,  
455/575.1, 575.3, 575.4  
See application file for complete search history.

(56) **References Cited**

**U.S. PATENT DOCUMENTS**

D502,701 S *	3/2005	Takuma	.....	D14/345
D569,837 S *	5/2008	Baik et al.	.....	D14/138 G
D577,353 S *	9/2008	Kim et al.	.....	D14/138 AD
D583,342 S *	12/2008	Kim et al.	.....	D14/138 G
D584,272 S *	1/2009	Chung et al.	.....	D14/138 G
D584,711 S *	1/2009	Kim et al.	.....	D14/138 G
D593,059 S *	5/2009	Kim et al.	.....	D14/138 G
D594,840 S *	6/2009	Kim et al.	.....	D14/138 G
D595,965 S *	7/2009	Kim et al.	.....	D5/37
D597,512 S *	8/2009	Kim et al.	.....	D14/138 G

D619,555 S *	7/2010	Yang et al.	.....	D14/138 G
D631,029 S *	1/2011	Park et al.	.....	D14/138 G
7,872,861 B2 *	1/2011	Ou et al.	.....	361/679.27
D638,815 S *	5/2011	Lee et al.	.....	D14/138 G
D638,835 S *	5/2011	Akana et al.	.....	D14/341
D639,763 S *	6/2011	Kim et al.	.....	D14/138 G
2009/0170573 A1 *	7/2009	Harmon et al.	.....	455/575.4
2010/0060592 A1 *	3/2010	Bernstein et al.	.....	345/173
2010/0255862 A1 *	10/2010	Mitsunaga et al.	.....	455/466
2011/0070929 A1 *	3/2011	Li	.....	455/575.1
2011/0081953 A1 *	4/2011	Higuchi	.....	455/566

(Continued)

**FOREIGN PATENT DOCUMENTS**

CN 300974926 \* 8/2009

**OTHER PUBLICATIONS**

HTC Desire HD, announced Sep. 2010, [online], [retrieved on Sep. 29, 2010]. Retrieved from Internet ,<URL: <http://www.gsmarena.com>>.\*

(Continued)

*Primary Examiner* — Bridget L Eland  
(74) *Attorney, Agent, or Firm* — NSIP Law

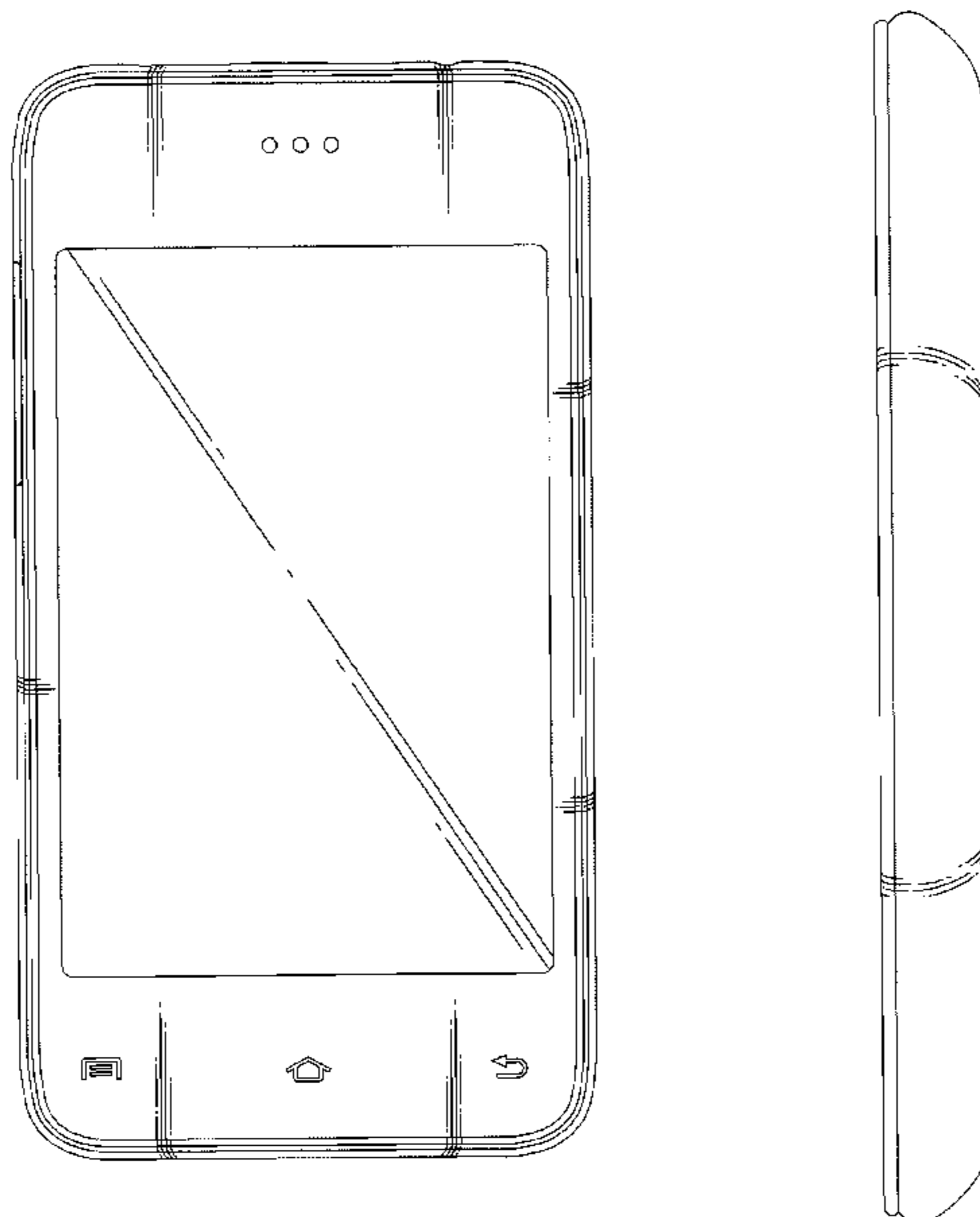
(57) **CLAIM**

The ornamental design for a mobile phone, as shown and described.

**DESCRIPTION**

FIG. 1 is a perspective view of a mobile phone;  
FIG. 2 is a front view of the mobile phone of FIG. 1;  
FIG. 3 is a rear view of the mobile phone of FIG. 1;  
FIG. 4 is a left-side view of the mobile phone of FIG. 1;  
FIG. 5 is a right-side view of the mobile phone of FIG. 1;  
FIG. 6 is a top plan view of the mobile phone of FIG. 1; and,  
FIG. 7 is a bottom plan view of the mobile phone of FIG. 1.

**1 Claim, 5 Drawing Sheets**



U.S. PATENT DOCUMENTS

2011/0092259 A1\* 4/2011 Liu et al. .... 455/575.4  
2011/0143769 A1\* 6/2011 Jones et al. .... 455/456.1

OTHER PUBLICATIONS

LG KM900 Arena, announced Feb. 2009, [online], [retrieved on Feb. 20, 2009]. Retrieved from Internet ,<URL: <http://www.gsmarena.com>>.\*

LG GT950 Arena, announced Feb. 2010, [online], [retrieved on Apr. 6, 2010]. Retrieved from Internet ,<URL: <http://www.gsmarena.com>>.\*

LG Optimus Chic E720, announced Jul. 2010, [online], [retrieved on Sep. 29, 2010]. Retrieved from Internet ,<URL: <http://www.gsmarena.com>>.\*

LG Optimus Black, announced Jan. 2011, [online], [retrieved on Jan. 6, 2011]. Retrieved from Internet ,<URL: <http://www.gsmarena.com>>.\*

LG Optimus Black (White version), announced Jul. 2011, [online], [retrieved on Aug. 19, 2011]. Retrieved from Internet ,<URL: <http://www.gsmarena.com>>.\*

Samsung Mesmerize i500, announced Oct. 2010, [online], [retrieved on Feb. 1, 2011]. Retrieved from Internet ,<URL: <http://www.gsmarena.com>>.\*

Philips V808, announced Aug. 2009, [online], [retrieved on Sep. 4, 2009]. Retrieved from Internet ,<URL: <http://www.gsmarena.com>>.\*

\* cited by examiner

FIG. 1

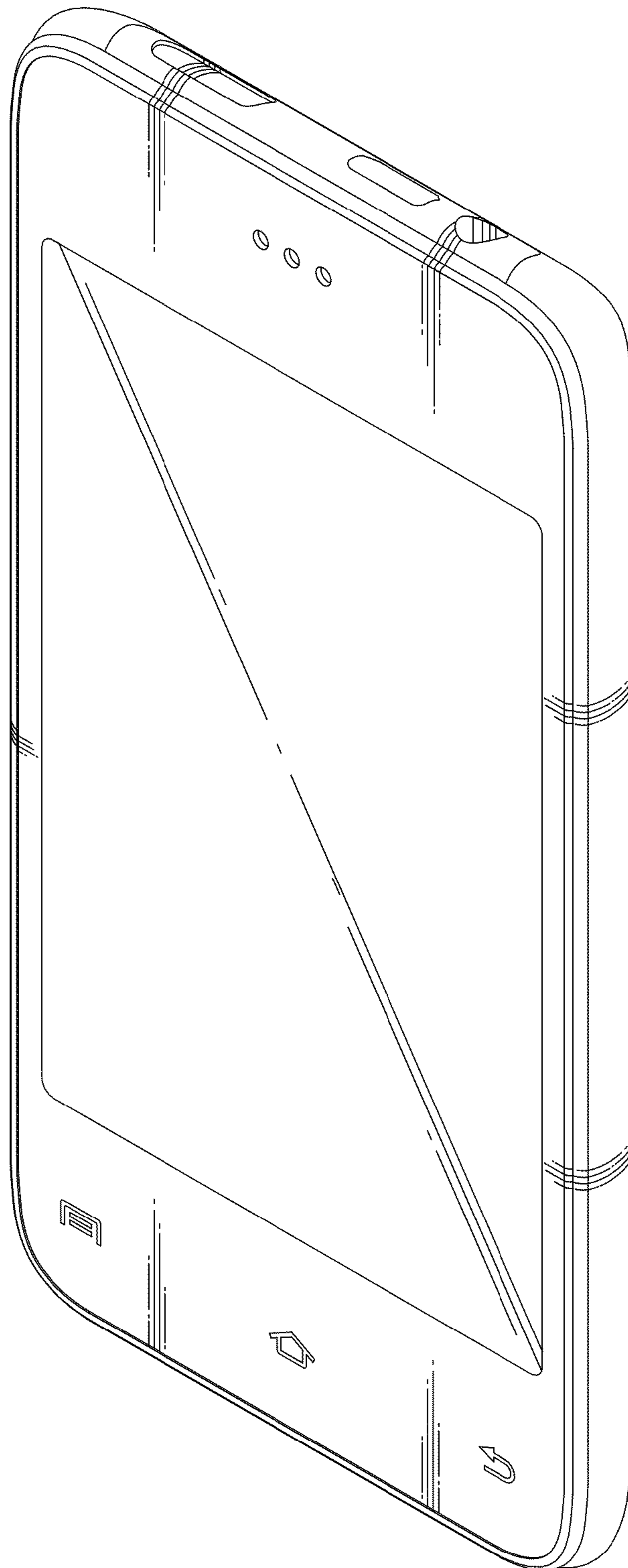


FIG. 2

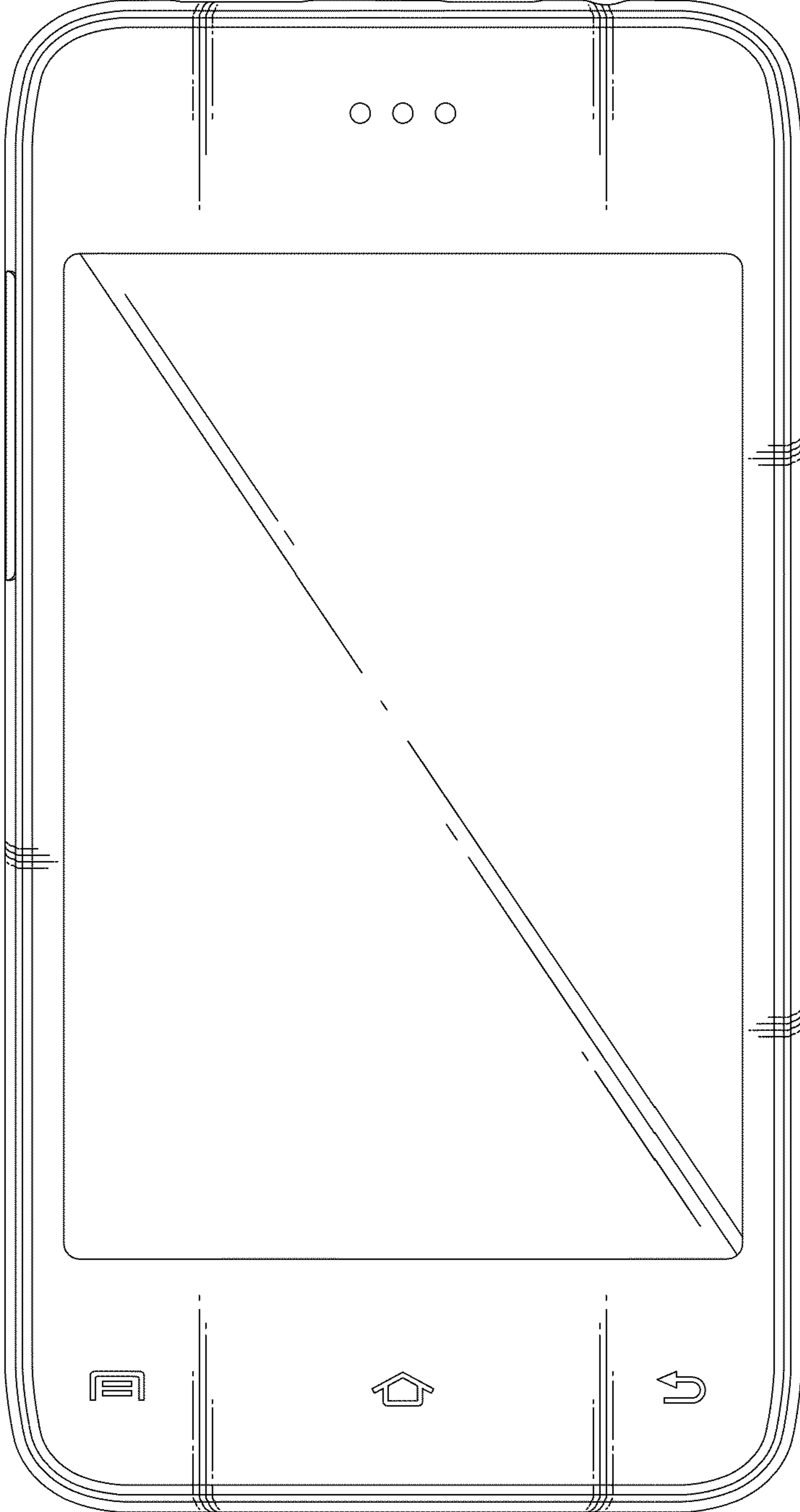


FIG. 3

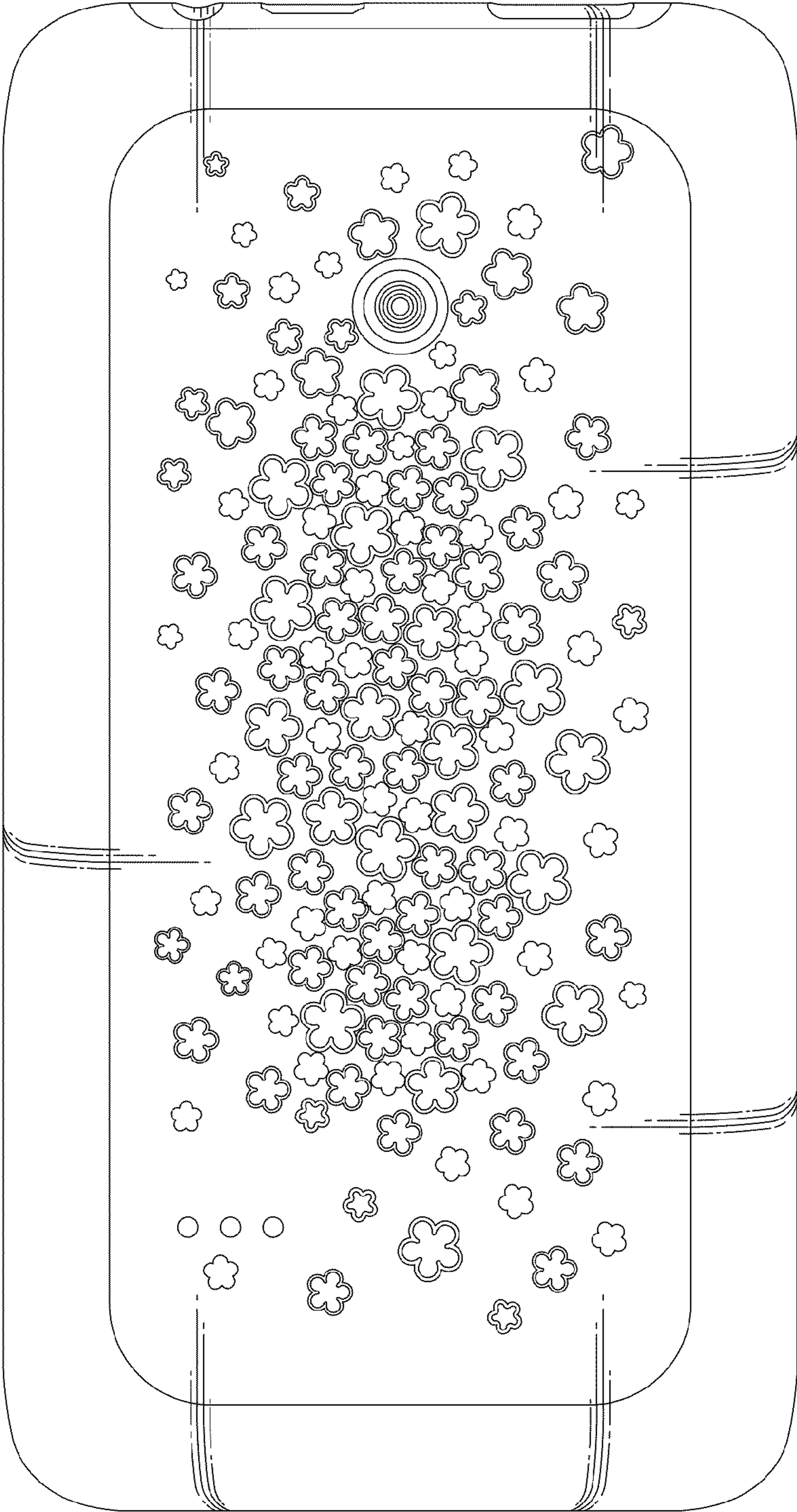


FIG. 4

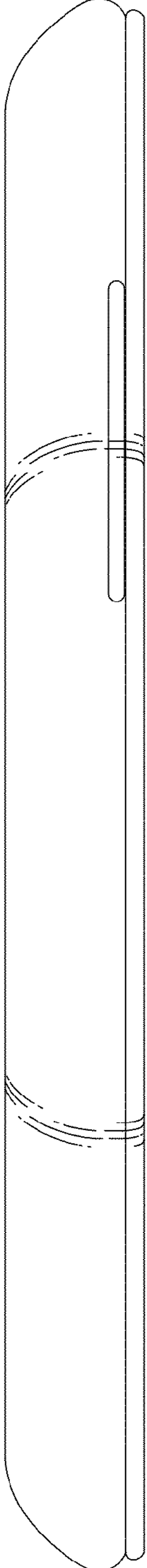


FIG. 5

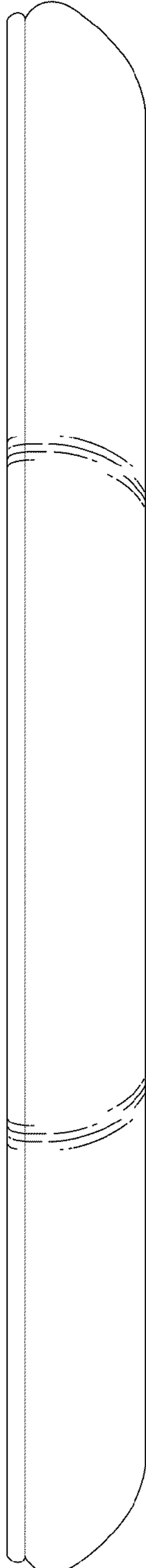


FIG. 6

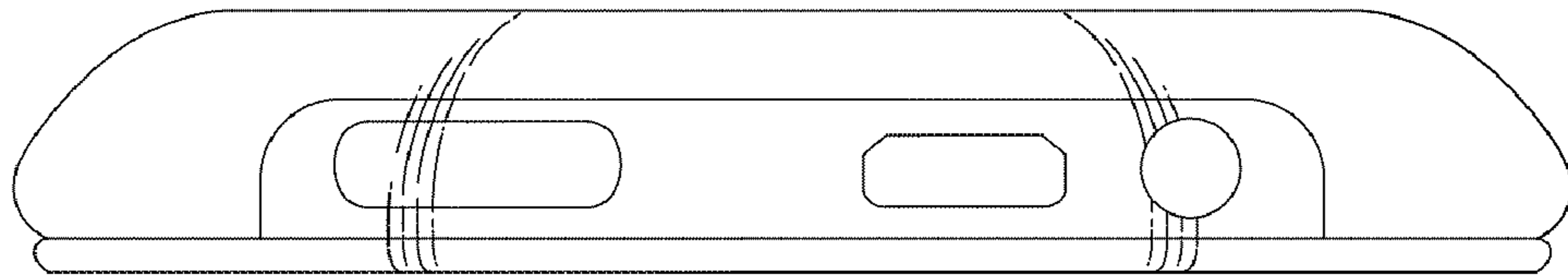


FIG. 7

