



US00D652007S

(12) **United States Design Patent**
Kim et al.

(10) **Patent No.:** **US D652,007 S**
(45) **Date of Patent:** **** Jan. 10, 2012**

(54) **MOBILE PHONE**

(75) Inventors: **Chang-Hwan Kim**, Kimpo-Si (KR);
Min-Hyouk Lee, Seoul (KR);
Chang-Hwan Hwang, Seongnam-Si (KR)

(73) Assignee: **Samsung Electronics Co., Ltd.** (KR)

(**) Term: **14 Years**

(21) Appl. No.: **29/387,092**

(22) Filed: **Mar. 9, 2011**

(30) **Foreign Application Priority Data**

Dec. 10, 2010 (KR) 30-2010-0053595

(51) **LOC (9) Cl.** **14-03**

(52) **U.S. Cl.** **D14/138 G**

(58) **Field of Classification Search** D14/138 R,
D14/138 AD, 138 AC, 138 C, 138 G, 191,
D14/203.1–203.8, 496, 138 AA, 138 AB,
D14/137, 147, 218, 341–347, 247–248; D10/65,
D10/78, 104; D13/168; D18/7; 455/566,
455/575.1, 575.3, 575.4

See application file for complete search history.

(56) **References Cited**

U.S. PATENT DOCUMENTS

D337,569 S * 7/1993 Kando D14/341
D555,134 S * 11/2007 Sung et al. D14/138 AC
D565,533 S * 4/2008 Kim et al. D14/138 AD
D565,596 S * 4/2008 Kim D14/496
D579,899 S * 11/2008 Park et al. D14/138 AD
D593,132 S * 5/2009 Kim D14/496
D593,993 S * 6/2009 Kim et al. D14/203.7
D602,000 S * 10/2009 Oh et al. D14/203.7
D605,626 S * 12/2009 Park D14/203.7
D611,025 S * 3/2010 Yu D14/138 G
D615,948 S * 5/2010 Park et al. D14/138 AD

D618,646 S * 6/2010 Wykes et al. D14/138 G
D622,691 S * 8/2010 Kim et al. D14/138 G
D626,111 S * 10/2010 Jun D14/203.7
D627,344 S * 11/2010 Chien et al. D14/341
D633,460 S * 3/2011 Yi et al. D14/138 G
D633,492 S * 3/2011 Matsuoka D14/341
D633,886 S * 3/2011 Chen D14/138 AD
7,949,378 B2 * 5/2011 Liu et al. 455/575.1
D639,261 S * 6/2011 Garnham et al. D14/138 G
D641,331 S * 7/2011 Kim D14/138 AD
D642,151 S * 7/2011 Chun et al. D14/138 G
7,999,660 B2 * 8/2011 Cybart et al. 340/407.2
2006/0223596 A1 * 10/2006 Hur 455/575.4
2007/0232368 A1 * 10/2007 Feightner et al. 455/575.1
2011/0143825 A1 * 6/2011 Ahn et al. 455/575.4

OTHER PUBLICATIONS

Acer F900, announced Feb. 2009, [online], [retrieved on Oct. 28, 2009]. Retrieved from Internet ,<URL: <http://www.gsmarena.com>>.*

HTC Touch HD, announced Sep. 2008, [online], [retrieved on Sep. 19, 2008]. Retrieved from Internet ,<URL: <http://www.gsmarena.com>>.*

(Continued)

Primary Examiner — Bridget L Eland

(74) *Attorney, Agent, or Firm* — NSIP Law

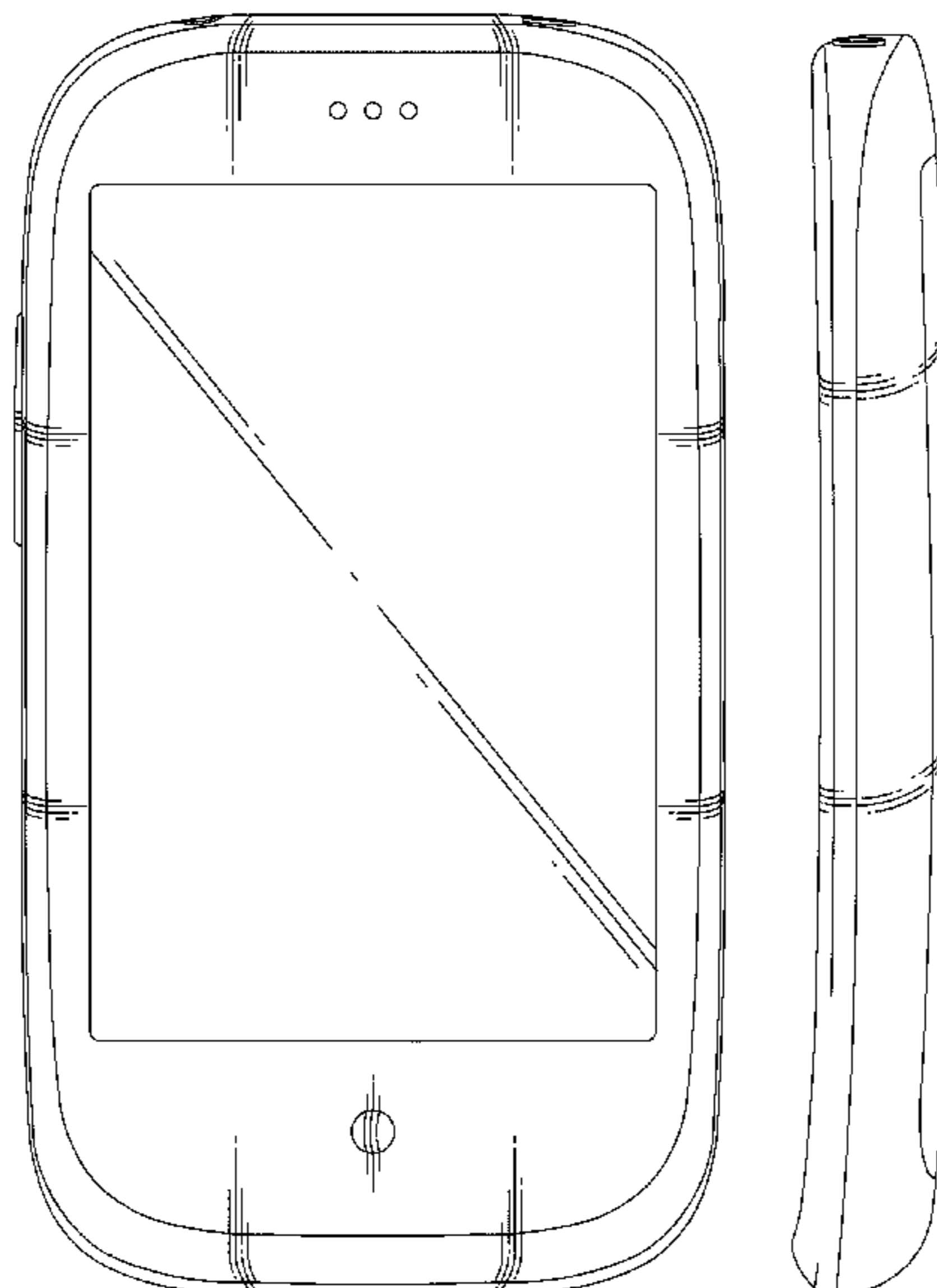
(57) **CLAIM**

The ornamental design for a mobile phone, as shown and described.

DESCRIPTION

FIG. 1 is a perspective view of a mobile phone;
FIG. 2 is a front view of the mobile phone of FIG. 1;
FIG. 3 is a rear view of the mobile phone of FIG. 1;
FIG. 4 is a left-side view of the mobile phone of FIG. 1;
FIG. 5 is a right-side view of the mobile phone of FIG. 1;
FIG. 6 is a top plan view of the mobile phone of FIG. 1; and,
FIG. 7 is a bottom plan view of the mobile phone of FIG. 1.

1 Claim, 5 Drawing Sheets



OTHER PUBLICATIONS

Huawei U8800, announced Feb. 2010, [online], [retrieved on Feb. 17, 2010]. Retrieved from Internet ,<URL: <http://www.gsmarena.com>>.*

Samsung Google Nexus S i9023, announced Mar. 2011, [online], [retrieved on Apr. 8, 2011]. Retrieved from Internet ,<URL: <http://www.gsmarena.com>>.*

* cited by examiner

FIG. 1

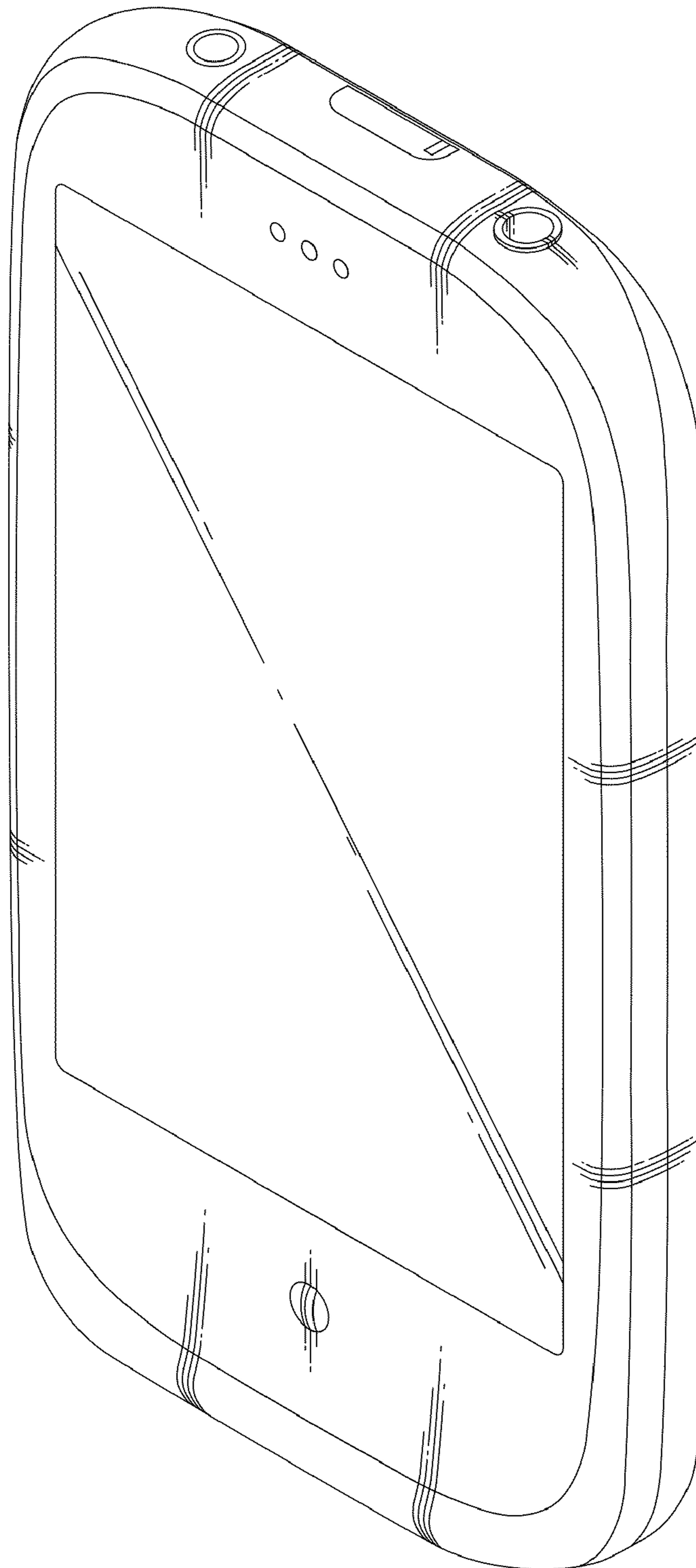


FIG. 2

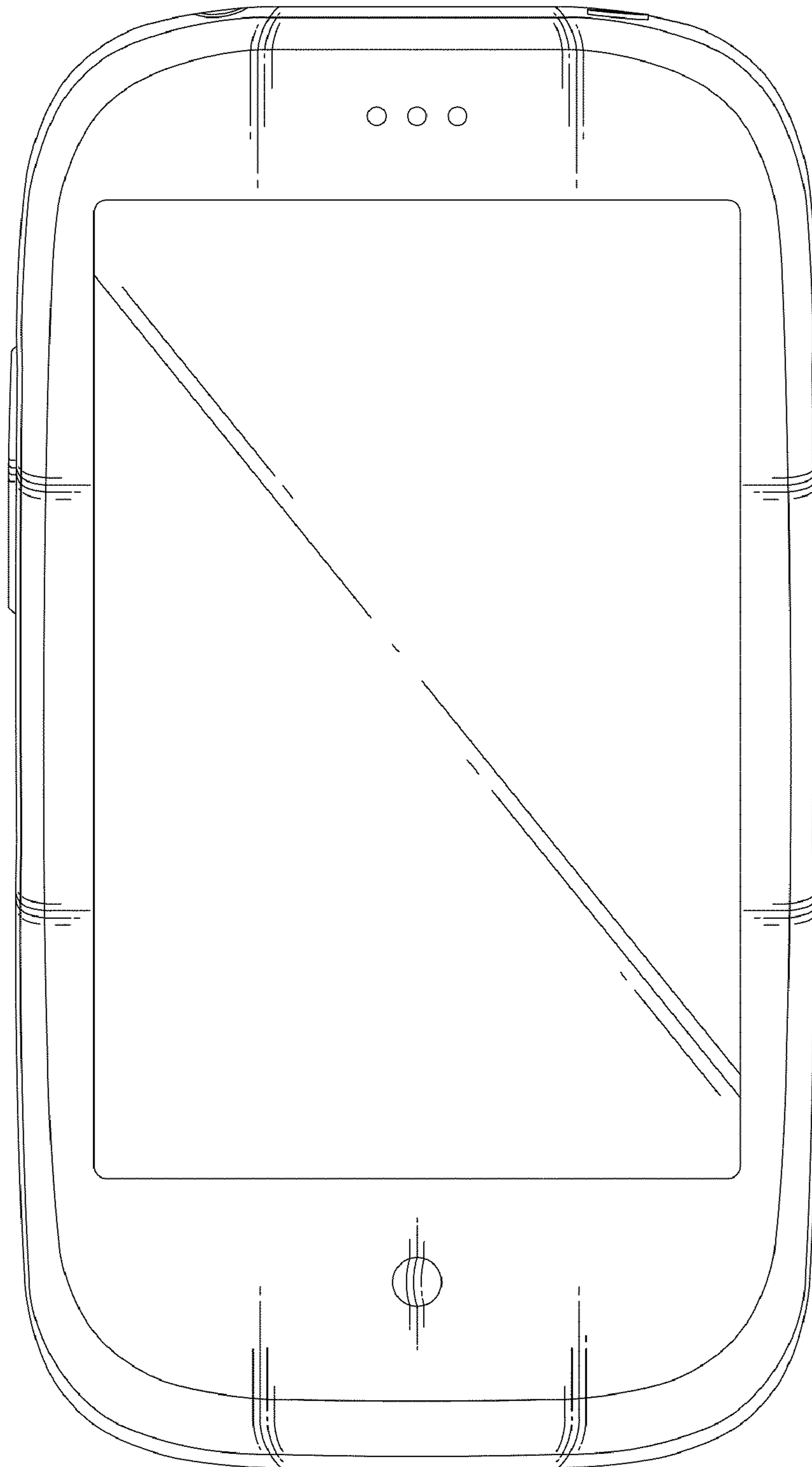


FIG. 3

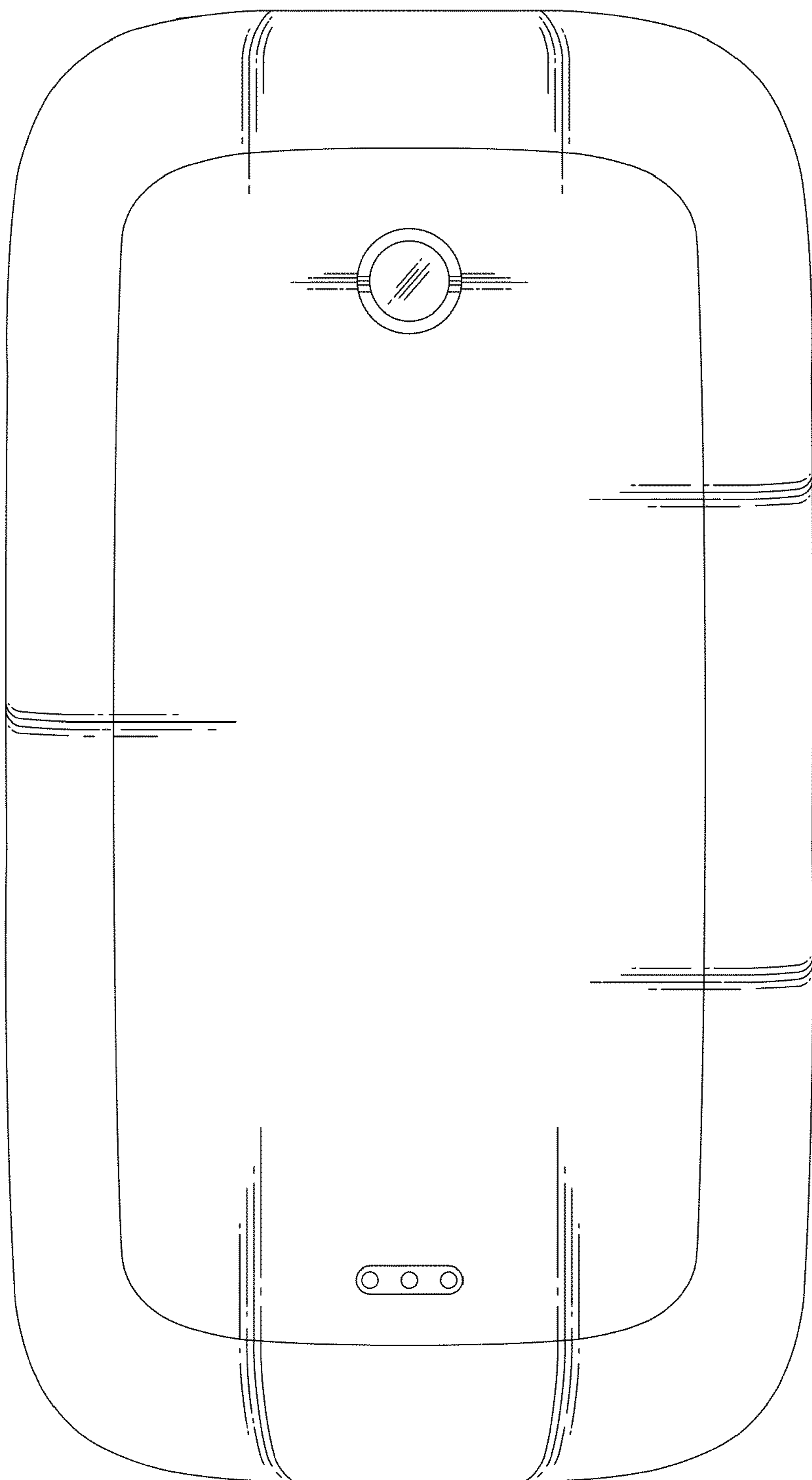


FIG. 4

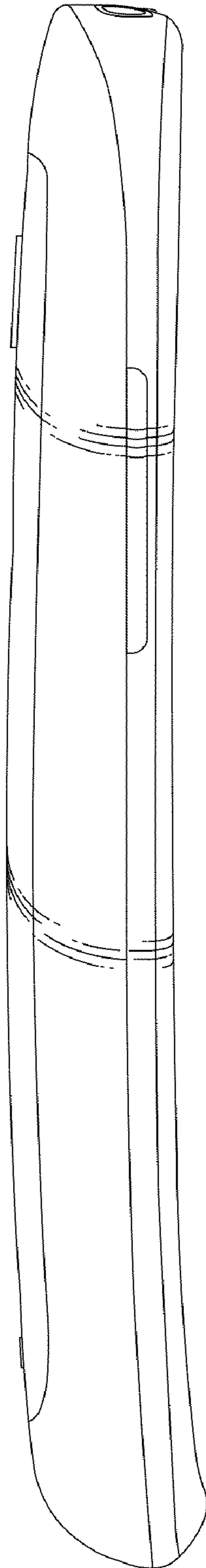


FIG. 5

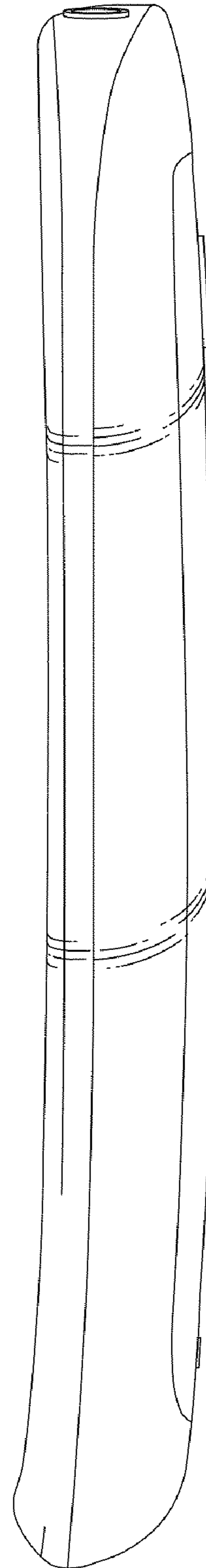


FIG. 6

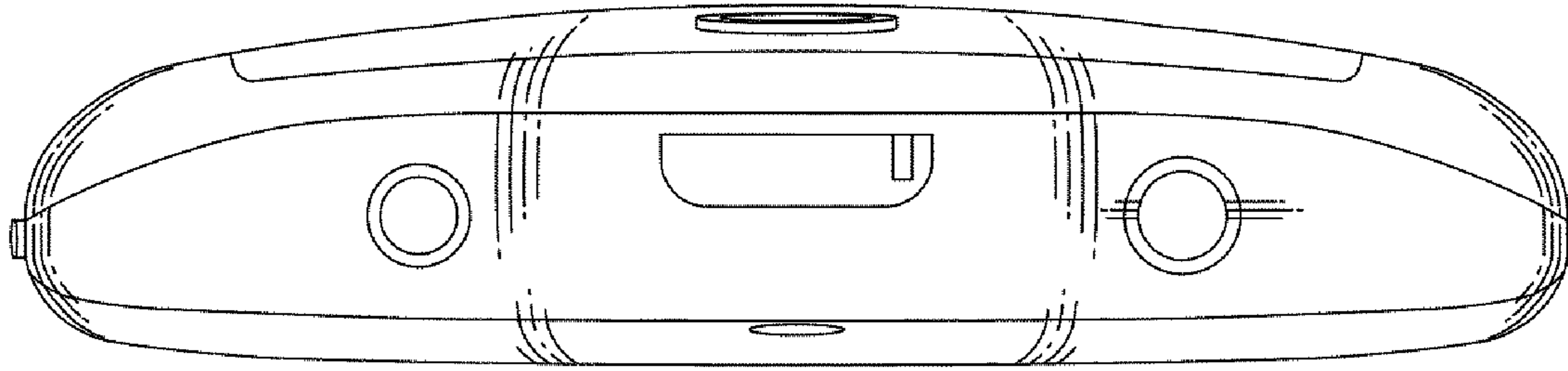


FIG. 7

