

US00D652004S

(12) **United States Design Patent**
Kim et al.

(10) **Patent No.:** **US D652,004 S**
(45) **Date of Patent:** **** Jan. 10, 2012**

(54) **MOBILE PHONE**

(75) Inventors: **Kuk-Hwan Kim**, Seoul (KR); **Nam-Mi Kim**, Seoul (KR); **Seog-Guen Kim**, Seoul (KR)

(73) Assignee: **Samsung Electronics Co., Ltd.**, Suwon-Si (KR)

(**) Term: **14 Years**

(21) Appl. No.: **29/386,457**

(22) Filed: **Mar. 1, 2011**

(30) **Foreign Application Priority Data**

Dec. 16, 2010 (KR) 30-2010-0054571

(51) **LOC (9) Cl.** **14-03**

(52) **U.S. Cl.** **D14/138 G**

(58) **Field of Classification Search** D14/138 R,
D14/138 AD, 138 AC, 138 C, 138 G, 191,
D14/203.1–203.8, 496, 138 AA, 138 AB,
D14/137, 147, 218, 341–347, 247–248; D10/65,
D10/78, 104; D13/168; D18/7; 455/566,
455/575.1, 575.3, 575.4
See application file for complete search history.

(56) **References Cited**

U.S. PATENT DOCUMENTS

D594,433 S * 6/2009 Seo et al. D14/138 AD
D594,836 S * 6/2009 Harju D14/138 AD
D601,538 S * 10/2009 Hong D14/138 G
D608,334 S * 1/2010 van den Brand D14/138 AD
D609,210 S * 2/2010 Sohn et al. D14/138 AD
D611,449 S * 3/2010 Chen D14/138 AD
7,697,965 B2 * 4/2010 Li 455/575.4
D615,956 S * 5/2010 Lin et al. D14/138 G
D624,519 S * 9/2010 Shen et al. D14/138 AD
D626,937 S * 11/2010 Yeo et al. D14/203.7

D628,978 S * 12/2010 Kim D14/203.7
D629,772 S * 12/2010 Mo et al. D14/138 G
D629,781 S * 12/2010 Song et al. D14/138 G
D630,611 S * 1/2011 Chen D14/138 G
D633,460 S * 3/2011 Yi et al. D14/138 G
D633,884 S * 3/2011 Chen D14/138 AD
D638,816 S * 5/2011 Li D14/138 G
D640,658 S * 6/2011 Knoppert et al. D14/138 G
D640,689 S * 6/2011 Leung et al. D14/346
D641,331 S * 7/2011 Kim D14/138 AD
D643,827 S * 8/2011 Lee et al. D14/138 G
2006/0205450 A1 * 9/2006 Amano et al. 455/575.4
2006/0205451 A1 * 9/2006 Pan 455/575.4
2008/0096616 A1 * 4/2008 Choi 455/575.1
2009/0061963 A1 * 3/2009 Miyaoka 455/575.4
2009/0163250 A1 * 6/2009 Park 455/566

OTHER PUBLICATIONS

Huawei G7010, announced Nov. 2010, [online], [retrieved on May 23, 2011]. Retrieved from Internet ,<URL: <http://www.gsmarena.com>>.*

(Continued)

Primary Examiner — Bridget L Eland

(74) *Attorney, Agent, or Firm* — Staas & Halsey LLP

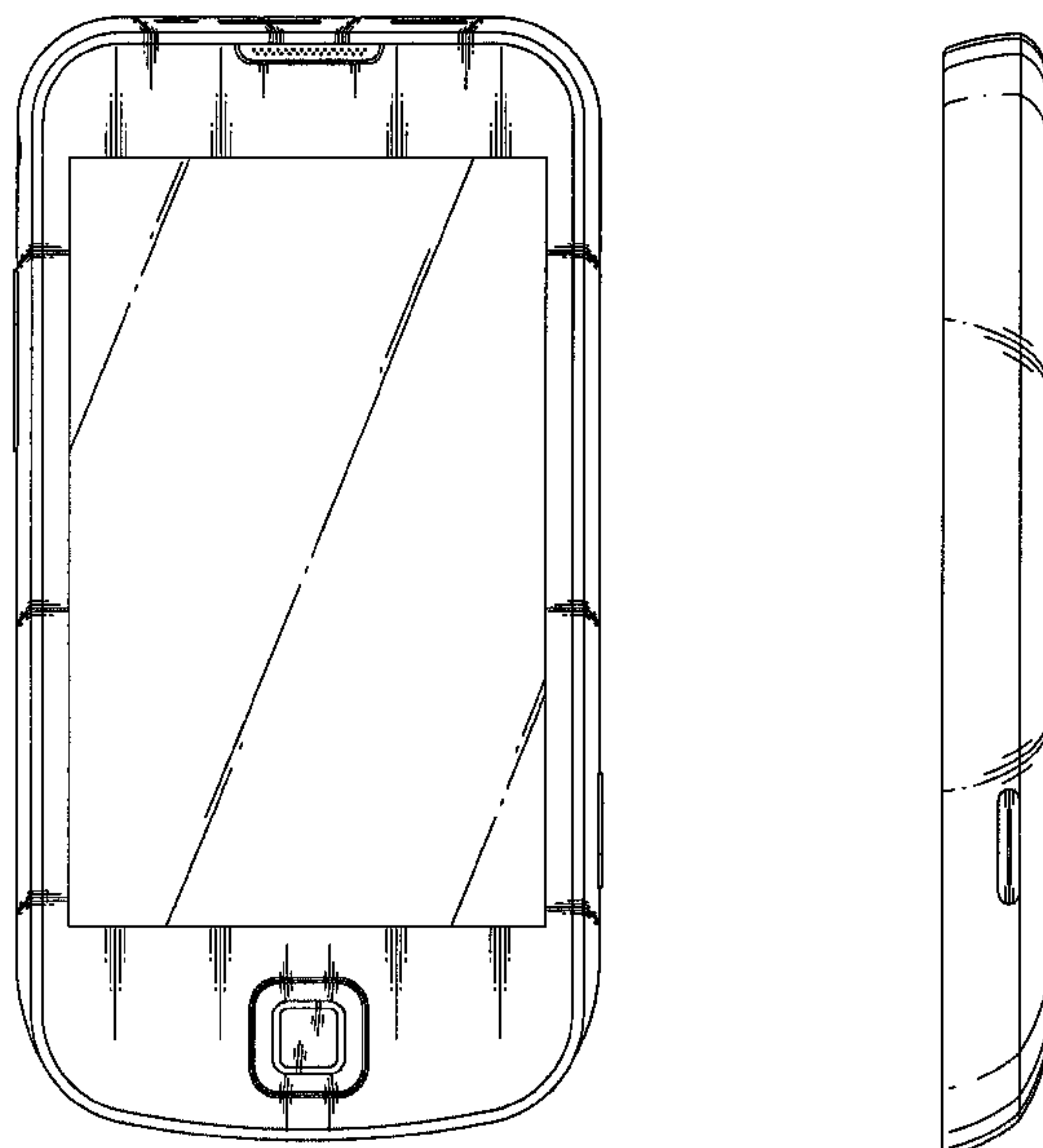
(57) **CLAIM**

The ornamental design for a mobile phone, as shown and described.

DESCRIPTION

FIG. 1 is a front perspective view of a mobile phone;
FIG. 2 is a front view of the mobile phone of FIG. 1;
FIG. 3 is a rear view of the mobile phone of FIG. 1;
FIG. 4 is a left-side view of the mobile phone of FIG. 1;
FIG. 5 is a right-side view of the mobile phone of FIG. 1;
FIG. 6 is a top plan view of the mobile phone of FIG. 1; and,
FIG. 7 is a bottom plan view of the mobile phone of FIG. 1.

1 Claim, 7 Drawing Sheets



OTHER PUBLICATIONS

LG GM310, announced Feb. 2009, [online], [retrieved on Feb. 20, 2009]. Retrieved from Internet ,<URL: <http://www.gsmarena.com>>.*

LG SU420 Cafe, announced Apr. 2010, [online], [retrieved on Apr. 19, 2010]. Retrieved from Internet ,<URL: <http://www.gsmarena.com>>.*

LG Scarlet II TV, announced Apr. 2010, [online], [retrieved on Sep. 29, 2010]. Retrieved from Internet ,<URL: <http://www.gsmarena.com>>.*

Samsung Acclaim, announced Jun. 2010, [online], [retrieved on Feb. 1, 2011]. Retrieved from Internet ,<URL: <http://www.gsmarena.com>>.*

* cited by examiner

FIG. 1

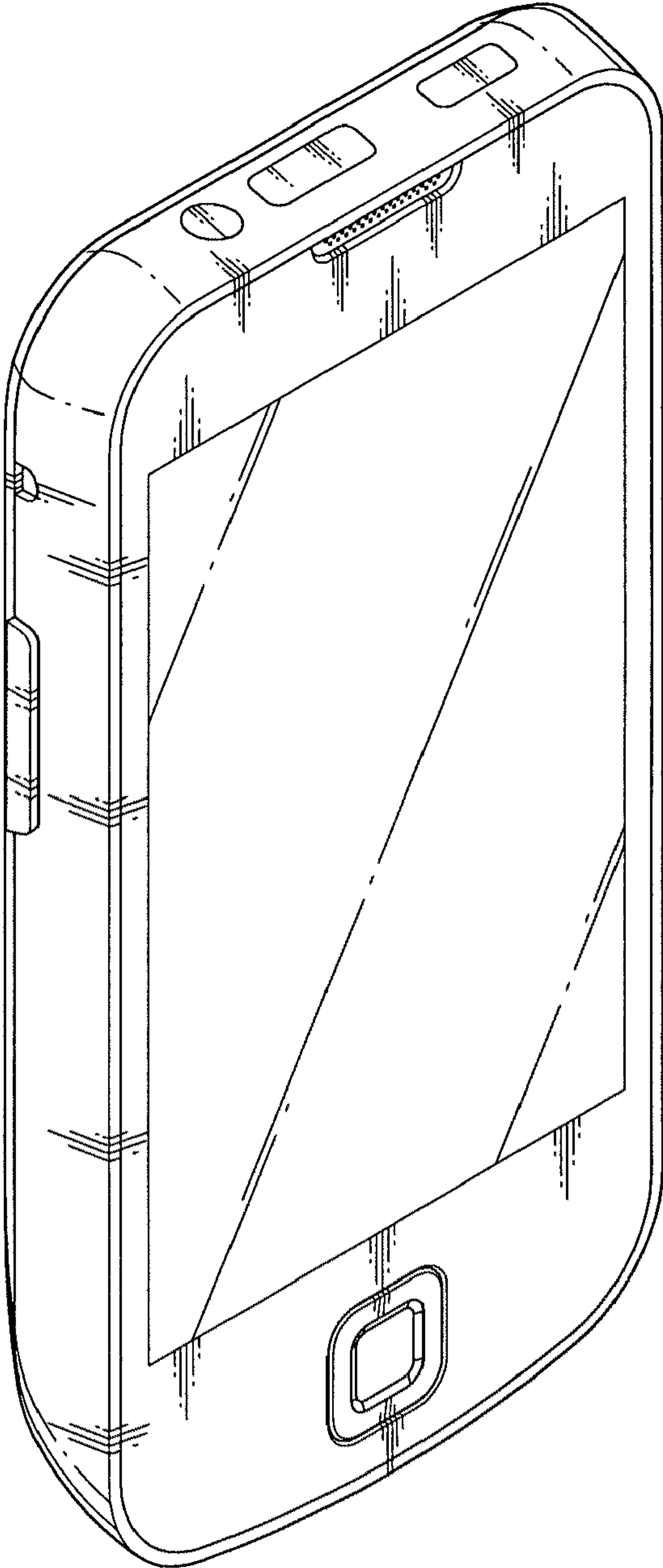


FIG. 2

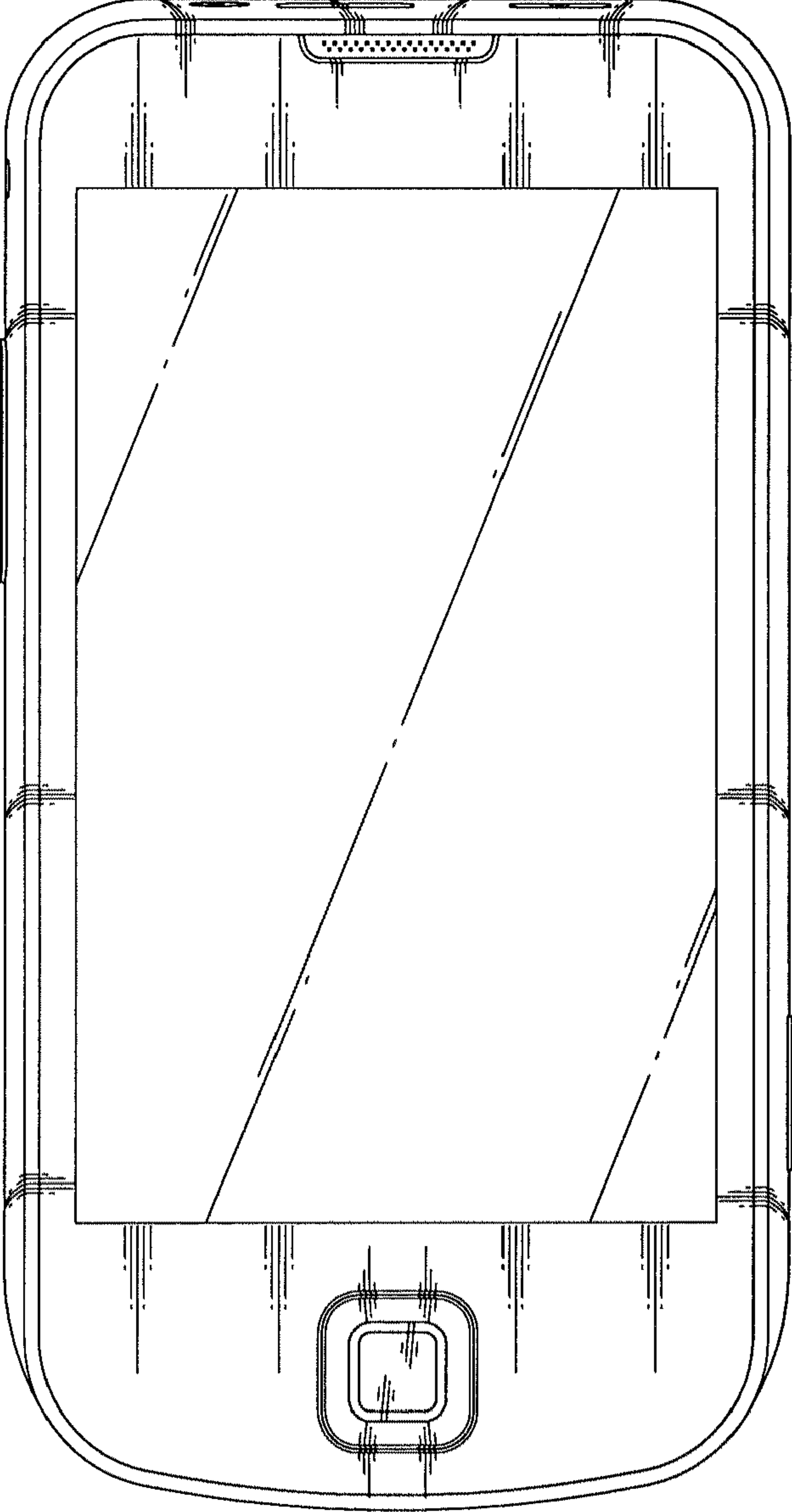


FIG. 3

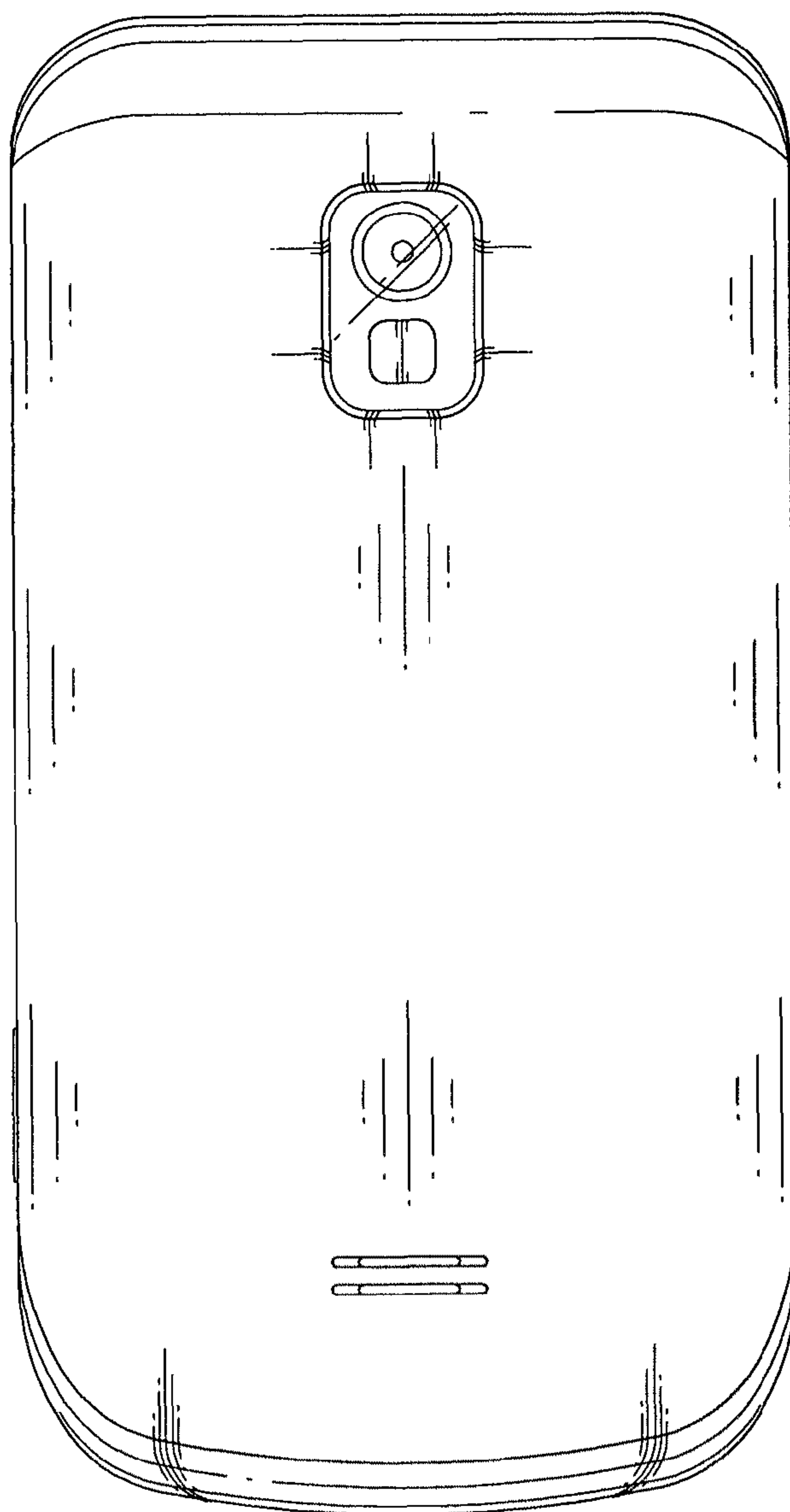


FIG. 4

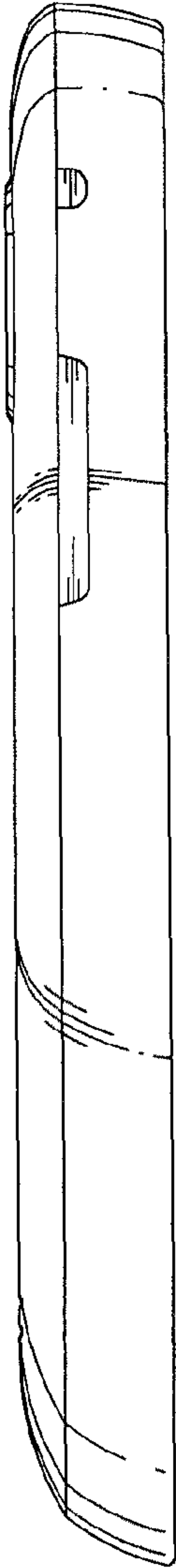


FIG. 5

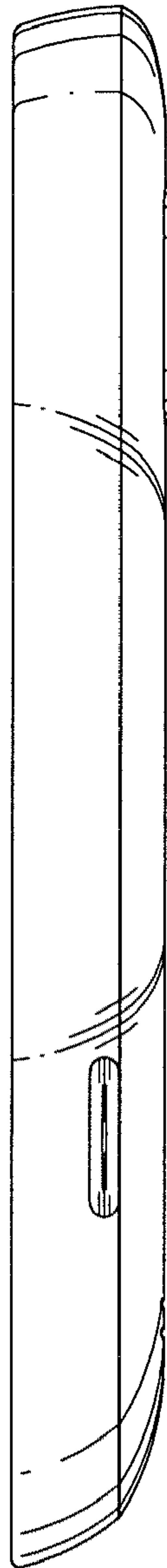


FIG. 6

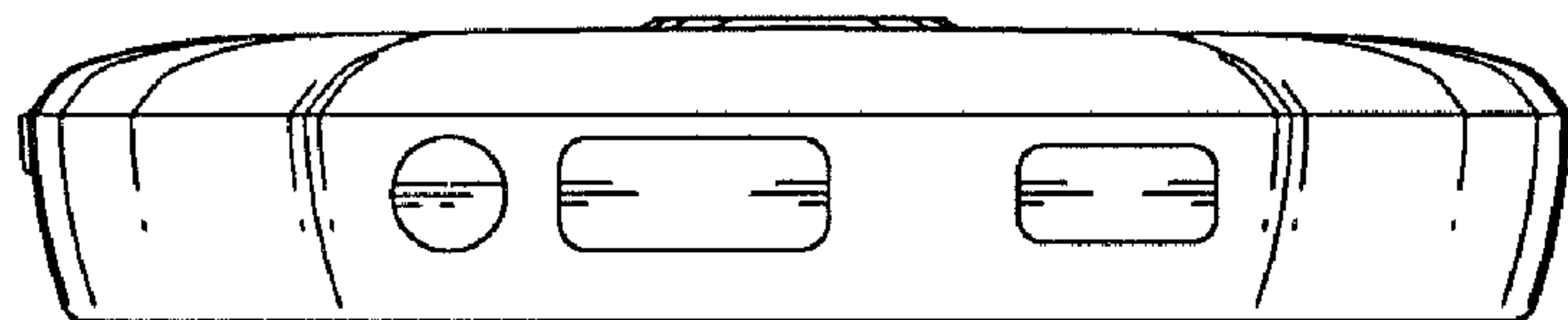


FIG. 7

