



US00D651993S

(12) **United States Design Patent**
Cheng

(10) **Patent No.:** **US D651,993 S**
(45) **Date of Patent:** **** Jan. 10, 2012**

- (54) **SET-TOP BOX**
- (75) Inventor: **Jung-Ching Cheng**, New Taipei (TW)
- (73) Assignee: **Cheng Uei Precision Industry Co., Ltd.**, New Taipei (TW)
- (**) Term: **14 Years**
- (21) Appl. No.: **29/394,346**
- (22) Filed: **Jun. 15, 2011**
- (51) **LOC (9) Cl.** **14-03**
- (52) **U.S. Cl.** **D14/125**
- (58) **Field of Classification Search** D14/125, D14/357-358, 496, 188, 242, 432, 300, 507, D14/509, 203.6, 363, 240, 230; D13/184; 348/10, 460, 706, 731; 340/825.03; 455/6.1, 455/6.2; 312/223.1, 7.2; D25/163, 150, D25/157, 138, 141, 140; 361/685; 439/136; D10/65; D30/118; D6/604, 595, 596, 601, D6/605, 632; D28/80, 83, 78; D3/294; D9/420, D9/426, 737, 424; 206/216; D7/629
See application file for complete search history.

- D570,114 S * 6/2008 Netz D3/294
- D584,012 S * 12/2008 Abernathy D30/118
- D585,733 S * 2/2009 Feibelman D9/423
- D590,827 S * 4/2009 Song D14/356
- D595,455 S * 6/2009 Nagasaki D28/83
- D600,966 S * 9/2009 Weng et al. D6/632
- D601,583 S * 10/2009 Andre et al. D14/496
- D609,701 S * 2/2010 Hou D14/240
- D614,979 S * 5/2010 McNames et al. D10/65
- D618,676 S * 6/2010 Hui et al. D14/300
- D620,006 S * 7/2010 Bull D14/356
- D626,099 S * 10/2010 Huang D14/125
- D630,505 S * 1/2011 Westemeyer et al. D9/426
- D631,340 S * 1/2011 Learn D9/430
- D641,616 S * 7/2011 Prevost D9/420
- D643,427 S * 8/2011 McGoldrick et al. D14/356
- 2004/0105230 A1 * 6/2004 Lin 361/685
- 2009/0263994 A1 * 10/2009 Hsieh et al. 439/136

* cited by examiner

Primary Examiner — Raphael Barkai
Assistant Examiner — Randall Gholson
(74) *Attorney, Agent, or Firm* — Cheng-Ju Chiang

(57) **CLAIM**
The ornamental design for a set-top box, as shown and described.

(56) **References Cited**

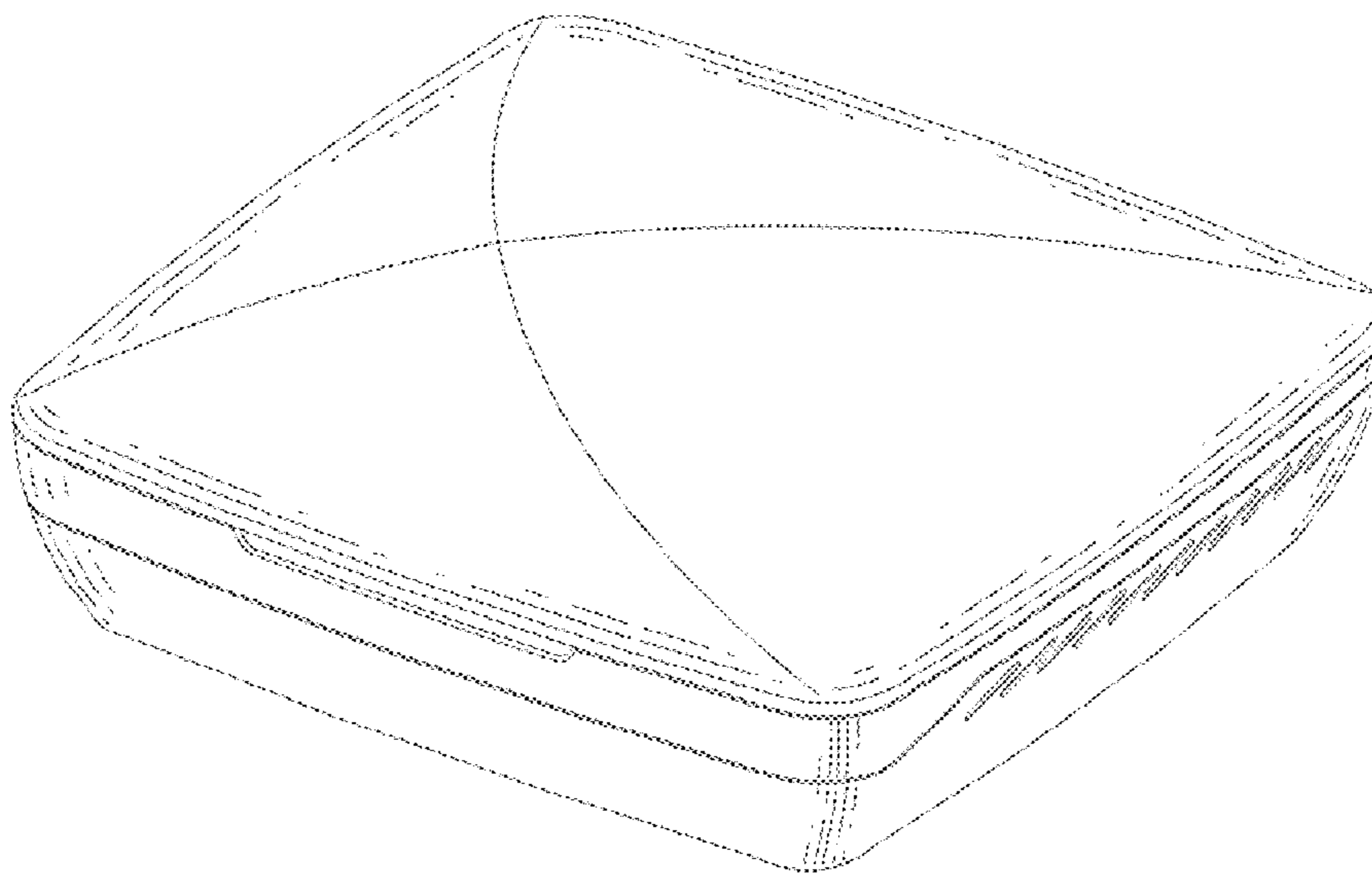
U.S. PATENT DOCUMENTS

- 3,902,540 A * 9/1975 Comisso 220/4.24
- D245,762 S * 9/1977 Takacs D9/420
- D262,150 S * 12/1981 Sussman D28/83
- D281,827 S * 12/1985 Bakic D28/83
- D321,415 S * 11/1991 Chen D28/80
- D385,781 S * 11/1997 Levine et al. D9/737
- D462,809 S * 9/2002 LaSpina et al. D28/78
- D509,696 S * 9/2005 Torres D6/604
- D519,830 S * 5/2006 Yocum D9/420
- D526,064 S * 8/2006 Wood D24/229
- D530,325 S * 10/2006 Kerila et al. D14/356
- D541,274 S * 4/2007 Wang D14/356
- D565,842 S * 4/2008 Falcone D3/294

DESCRIPTION

FIG. 1 is a perspective view of a set-top box showing my new design;
FIG. 2 is a front elevational view thereof;
FIG. 3 is a rear elevational view thereof;
FIG. 4 is a left side elevational view thereof;
FIG. 5 is a right side elevational view thereof;
FIG. 6 is a top plan view thereof;
FIG. 7 is a bottom plan view thereof; and,
FIG. 8 is another perspective view of the set-top box showing my new design.

1 Claim, 8 Drawing Sheets



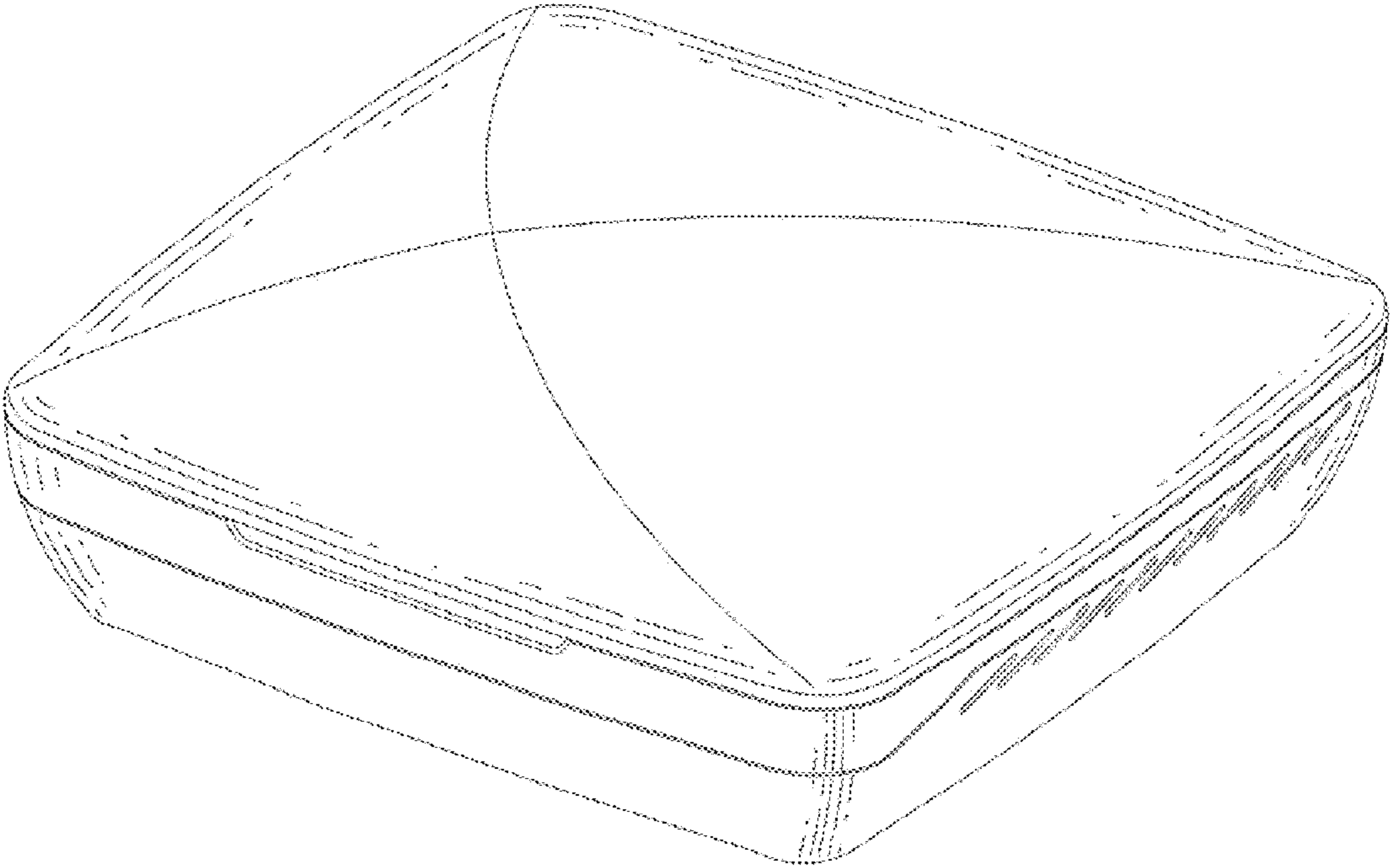


FIG. 1

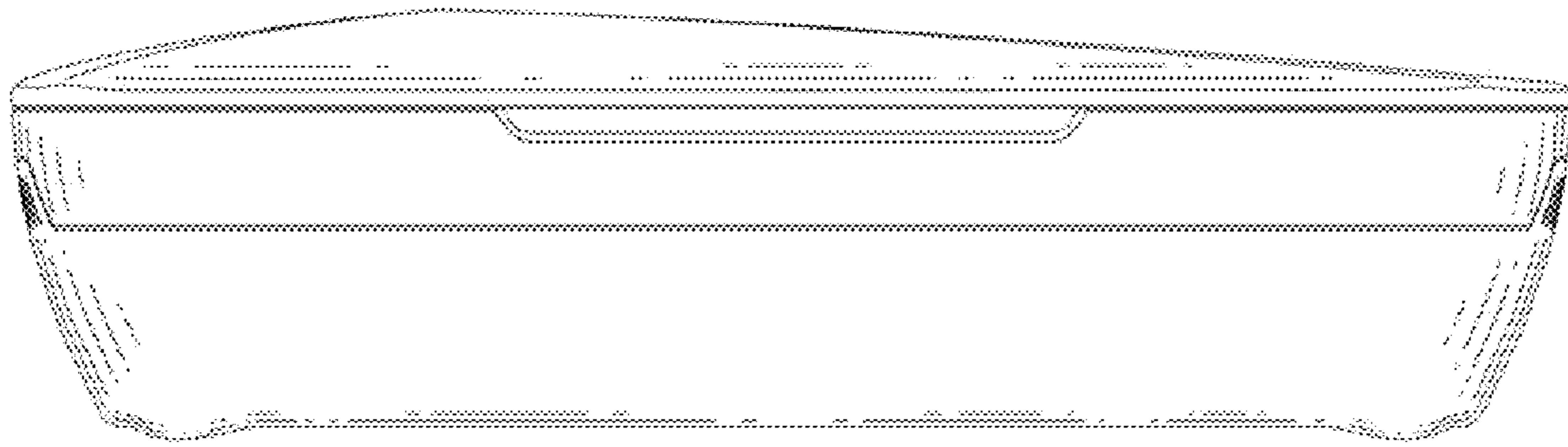


FIG. 2

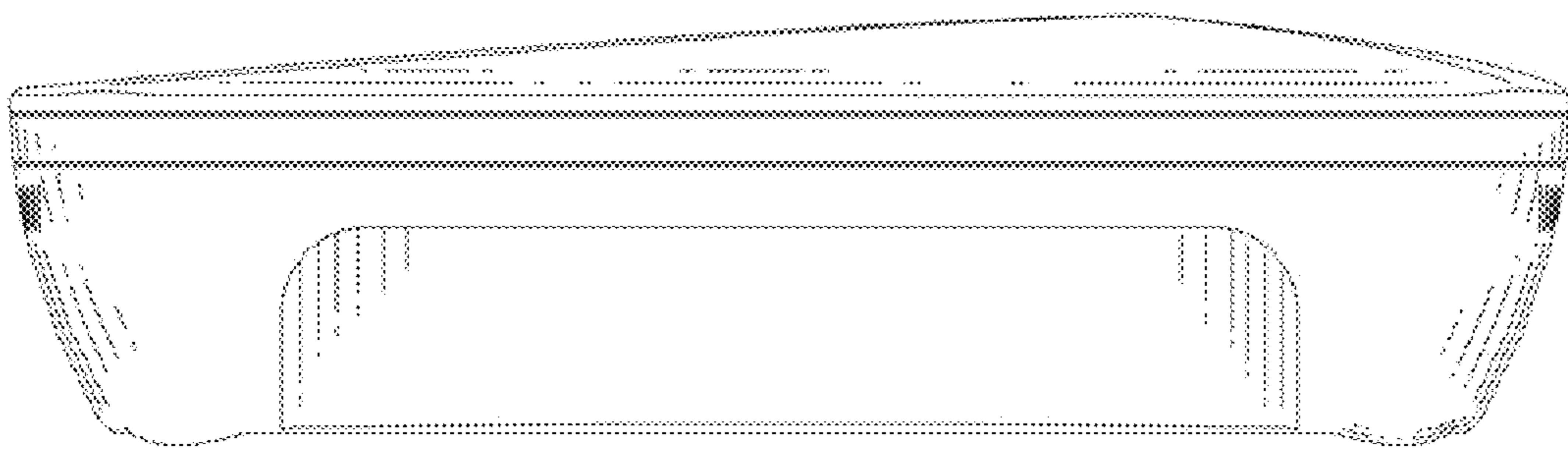


FIG. 3

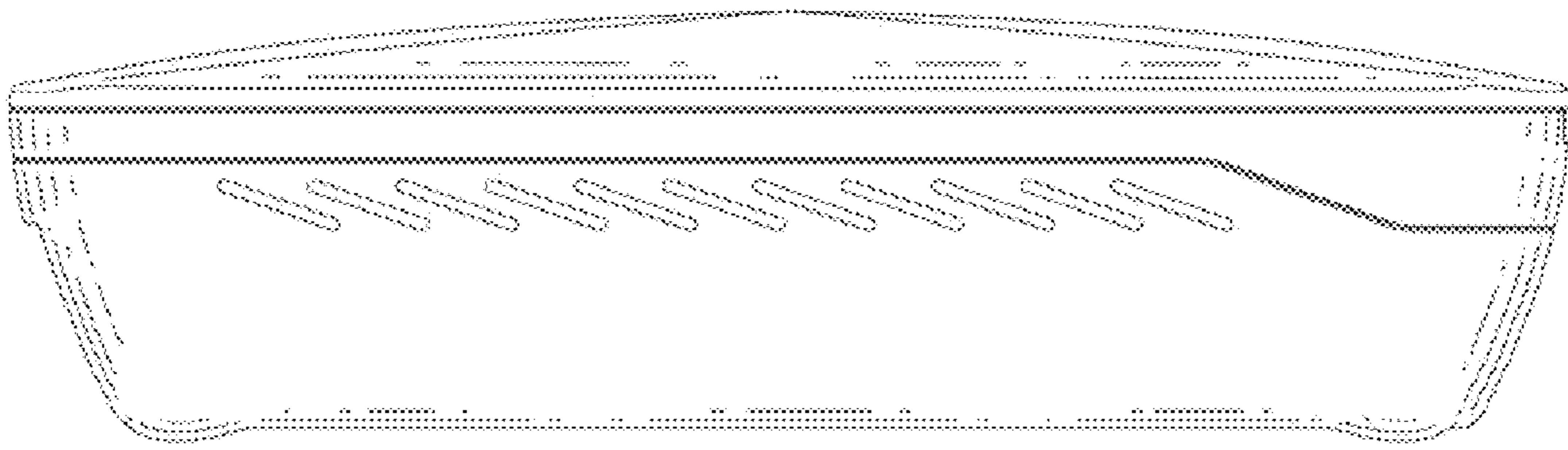


FIG. 4

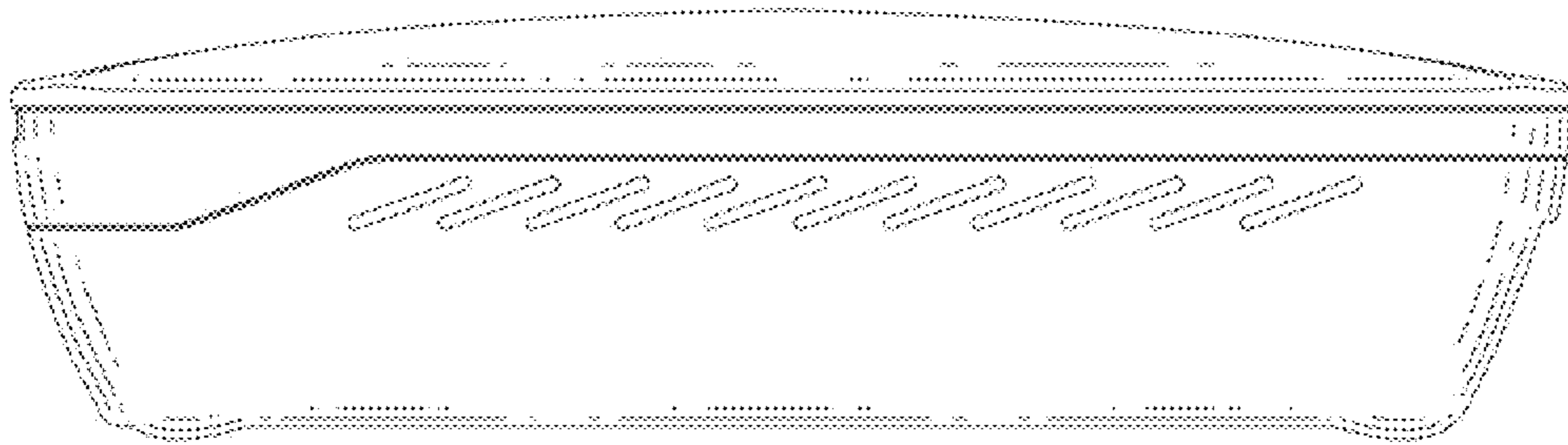


FIG. 5

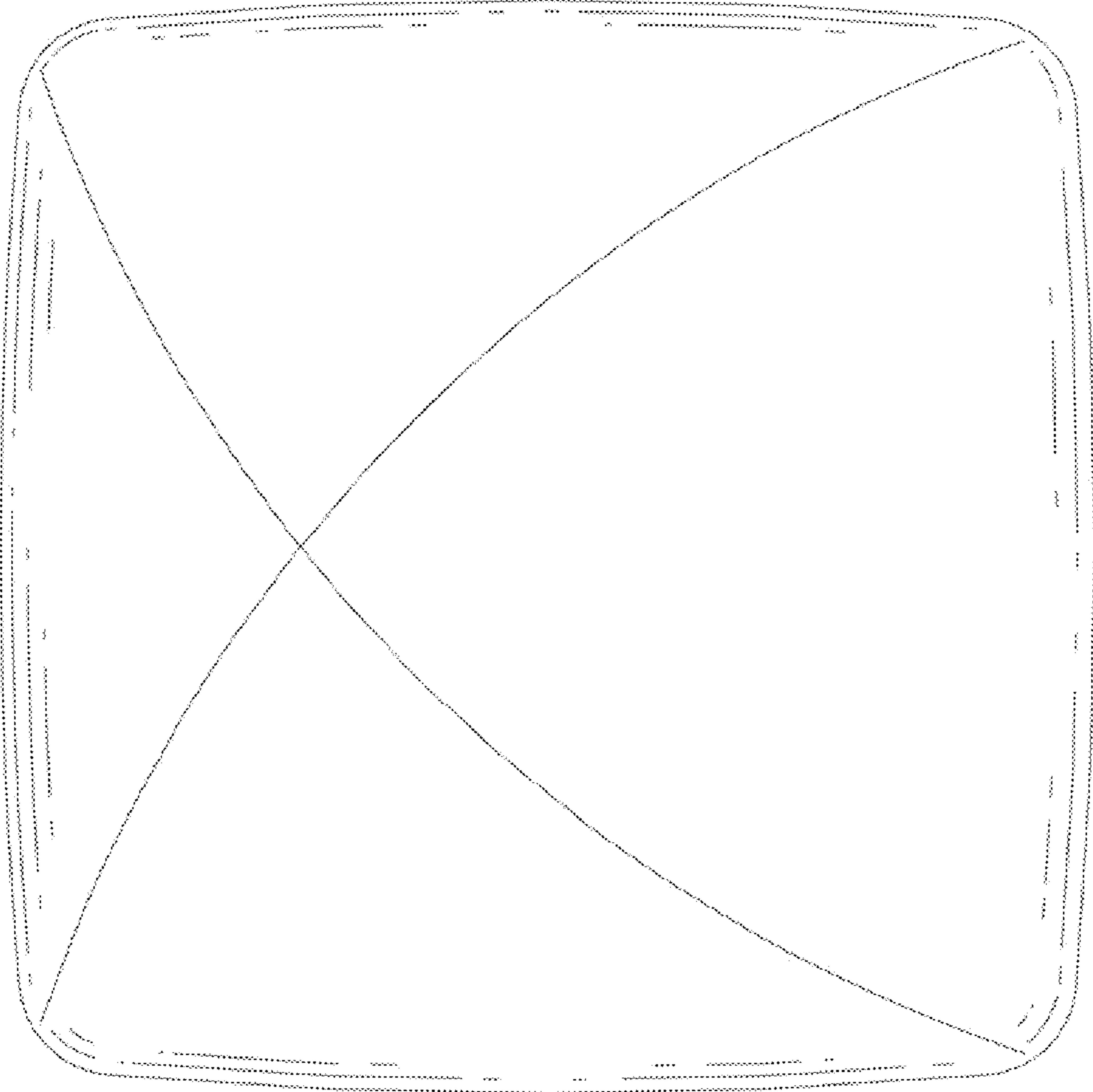


FIG. 6

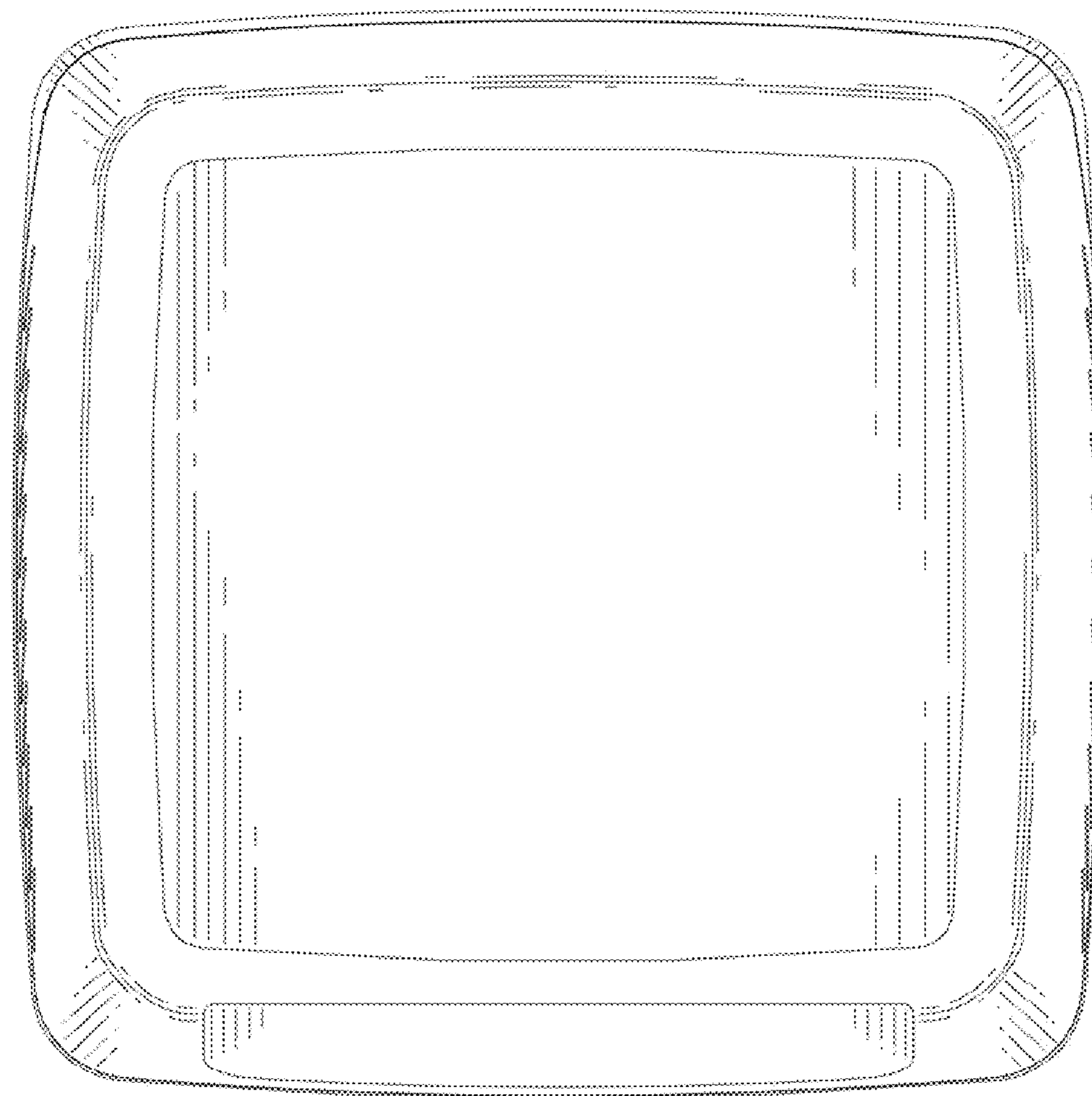


FIG. 7

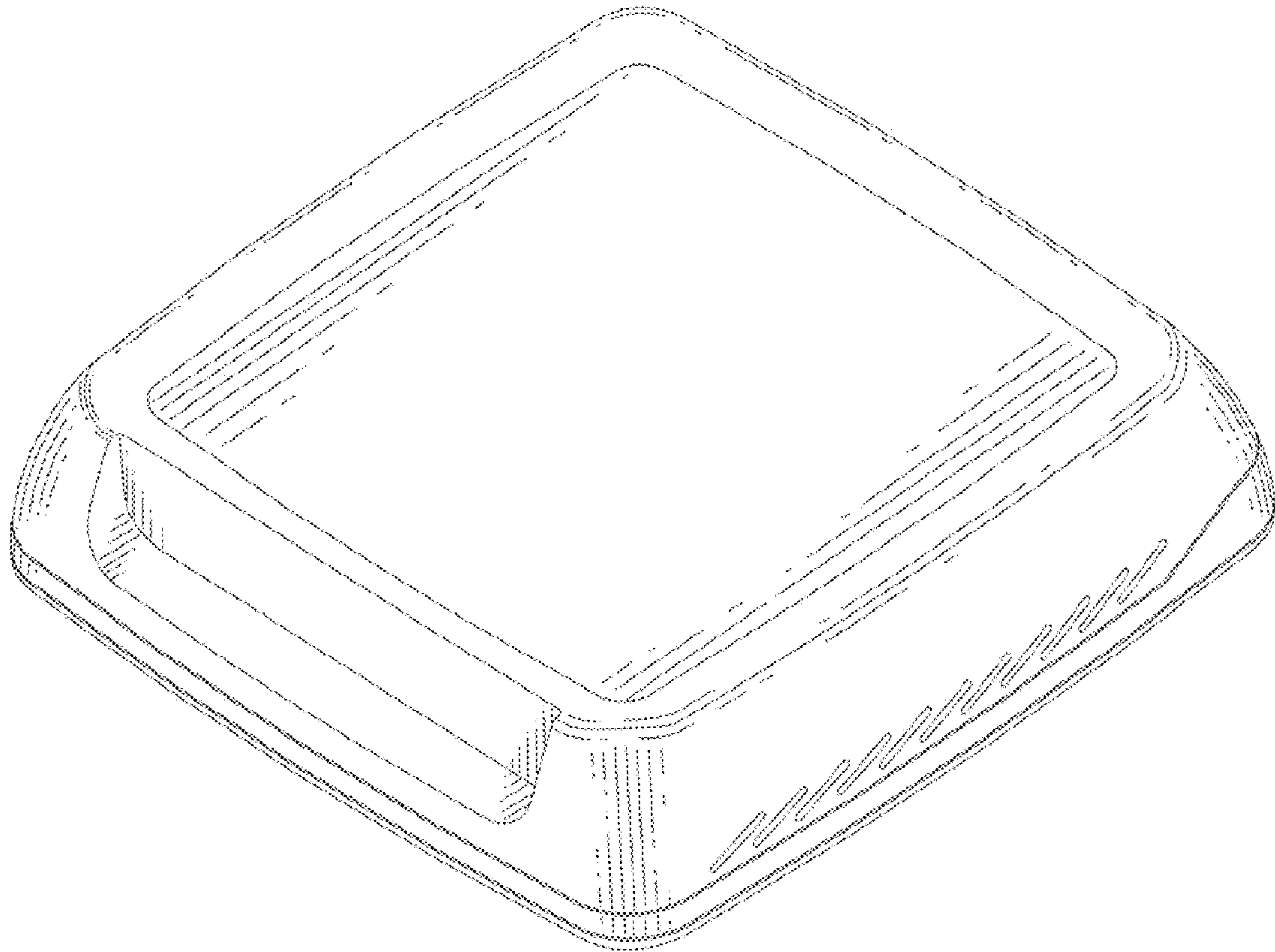


FIG. 8