



US00D651989S

(12) **United States Design Patent**
Lin

(10) **Patent No.:** **US D651,989 S**
(45) **Date of Patent:** **** Jan. 10, 2012**

(54) **LIGHT EMITTING DIODE**

(75) Inventor: **Jung-Chiuan Lin**, Tucheng (TW)

(73) Assignee: **Everlight Electronics Co., Ltd.**,
Tucheng, Taipei County (TW)

(**) Term: **14 Years**

(21) Appl. No.: **29/359,364**

(22) Filed: **Apr. 9, 2010**

(51) **LOC (9) Cl.** **13-03**

(52) **U.S. Cl.** **D13/180**

(58) **Field of Classification Search** D13/180;
D26/2; 257/79, 80, 81, 88, 89, 95, 98, 99,
257/100, E33.058; 313/483, 498, 500; 362/555,
362/800

See application file for complete search history.

(56) **References Cited**

U.S. PATENT DOCUMENTS

5,722,760	A	3/1998	Chien	
6,061,160	A	5/2000	Maruyama	
6,153,894	A *	11/2000	Udagawa	257/96
6,770,498	B2	8/2004	Hsu	
6,936,855	B1 *	8/2005	Harrah	257/88
D517,027	S *	3/2006	Suenaga	D13/180
7,211,835	B2 *	5/2007	Ono	257/99
7,224,000	B2 *	5/2007	Aanegola et al.	257/98
D572,670	S *	7/2008	Ono et al.	D13/180
D576,574	S *	9/2008	Kobayakawa	D13/180
D578,226	S *	10/2008	West et al.	D26/1
D578,671	S	10/2008	Kanayama et al.	
7,547,924	B1 *	6/2009	Lin	257/99
D598,871	S	8/2009	Eberle et al.	
7,626,250	B2 *	12/2009	Lee et al.	257/675
7,631,986	B2 *	12/2009	Harrah	362/230
D615,504	S *	5/2010	Keller et al.	D13/180
D618,636	S *	6/2010	Hsieh	D13/180
2004/0079957	A1 *	4/2004	Andrews et al.	257/100
2004/0126913	A1 *	7/2004	Loh	438/26

2004/0201987 A1 10/2004 Omata
2005/0007783 A1 1/2005 Ono
2006/0108594 A1 * 5/2006 Iwasaki et al. 257/98
(Continued)

FOREIGN PATENT DOCUMENTS

DE 402008001869-0003 4/2008
(Continued)

OTHER PUBLICATIONS

Taiwan Office Action mailed Feb. 17, 2011.

Primary Examiner — Selina Sikder

(74) *Attorney, Agent, or Firm* — Thomas, Kayden,
Horstemeyer & Risley, LLP

(57) **CLAIM**

The ornamental design for a light emitting diode, as shown
and described.

DESCRIPTION

FIG. 1 is a perspective view of a light emitting diode showing
the claimed design;

FIG. 2 is another perspective view thereof;

FIG. 3 is a front elevational view thereof;

FIG. 4 is a rear side elevational view thereof;

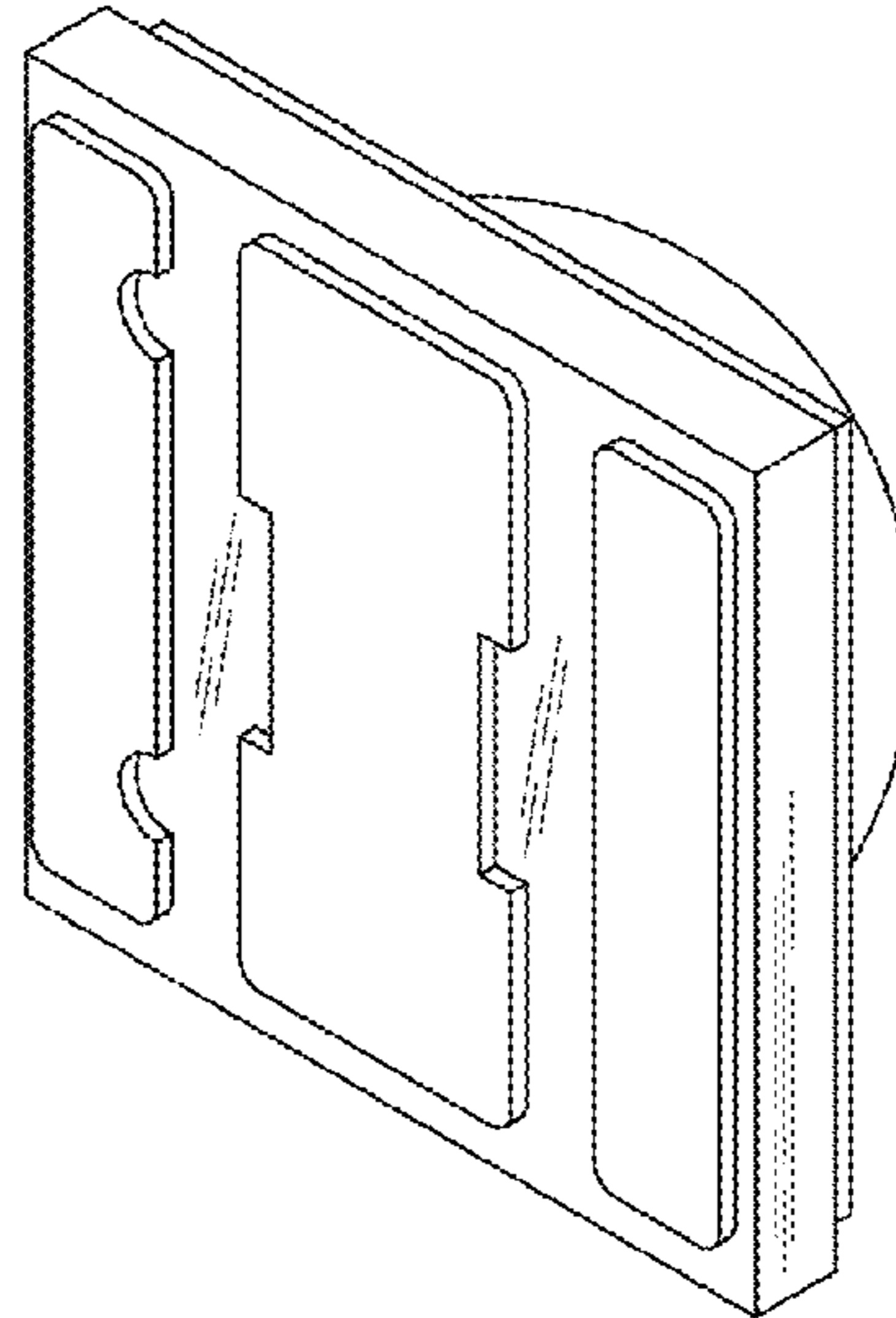
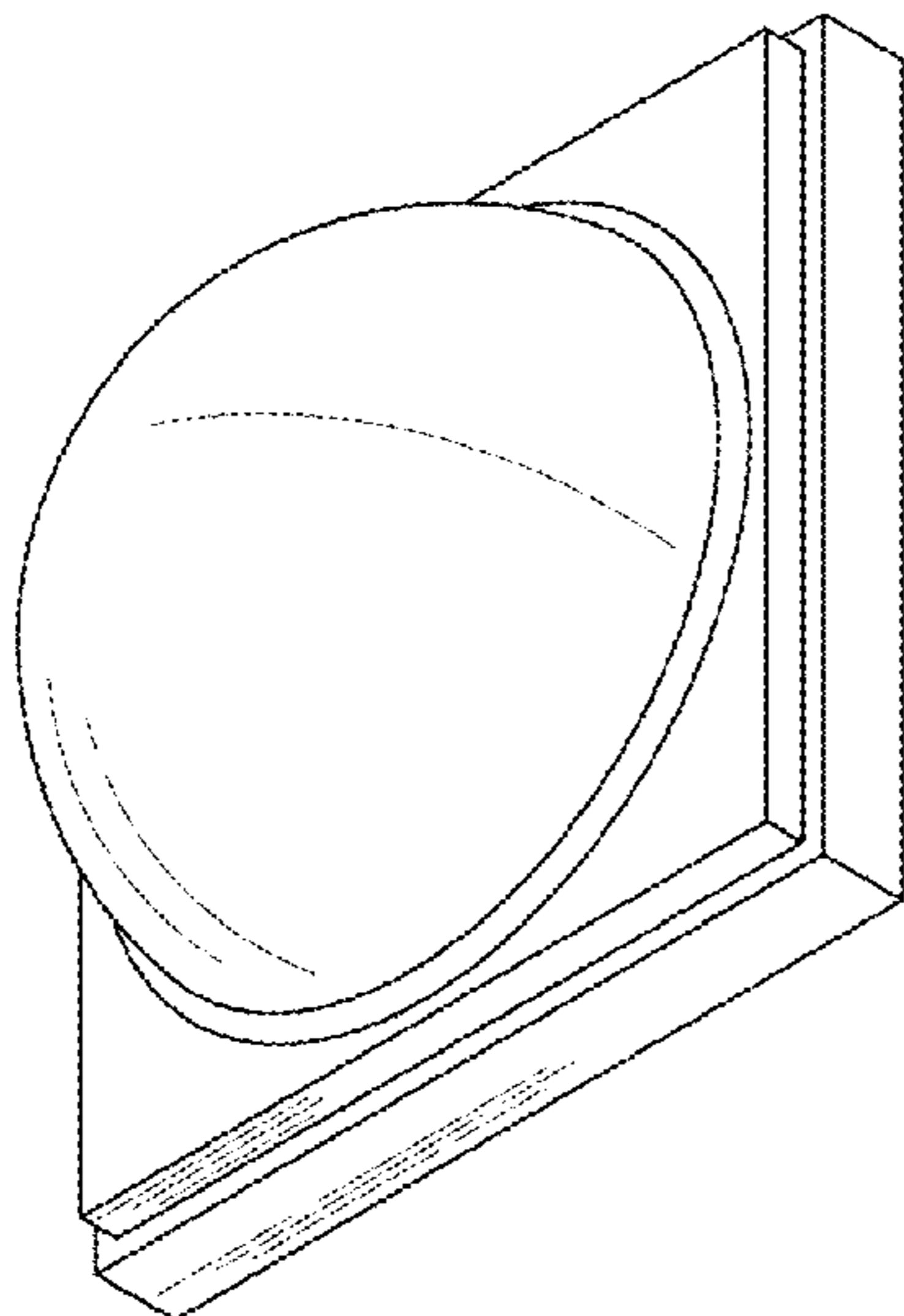
FIG. 5 is a right side elevational view thereof; the left side
elevational view being a mirror image of the right side elevational
view;

FIG. 6 is a bottom plan view thereof; the top plan view being
a mirror image of the bottom plan view; and,

FIG. 7 is a view showing the visible inner structure through
the dome-like light transmissible portion.

The dome-like light-transmissible portion of the design is
made of light-transmissible material, which can be translucent
or transparent. The broken lines are directed to environmental
features and are for illustrative purpose only; the broken
lines form no part of the claimed design.

1 Claim, 5 Drawing Sheets



US D651,989 S

Page 2

U.S. PATENT DOCUMENTS

2006/0131600 A1* 6/2006 Nakaoka et al. 257/99
2006/0267036 A1* 11/2006 Lee et al. 257/98
2007/0205419 A1 9/2007 Ono et al.
2008/0054280 A1* 3/2008 Reginelli et al. 257/98
2008/0054286 A1 3/2008 Loh et al.
2009/0108281 A1* 4/2009 Keller et al. 257/98
2009/0122514 A1* 5/2009 Yoon et al. 362/84
2009/0166655 A1* 7/2009 Lin 257/98
2009/0242915 A1* 10/2009 Chang Chien et al. 257/98
2009/0278153 A1* 11/2009 Cho 257/98
2009/0283779 A1* 11/2009 Negley et al. 257/88

FOREIGN PATENT DOCUMENTS

DE 402008001869-0001 7/2008
DE 402008001869-0002 7/2008

DE 402008001869-0003 7/2008
DE 402008001869-0004 7/2008
DE 402008001869-0005 7/2008
DE 402008001869-0006 7/2008
JP 1284046 10/2006
JP D1308765 8/2007
JP D1349725 1/2009
JP 1353072 3/2009
JP 1363307 6/2009
JP 1363680 6/2009
KR 3004438500000 3/2007
KR 3004438500003 6/2007
TW D124992 9/2008
TW D128141 4/2009

* cited by examiner

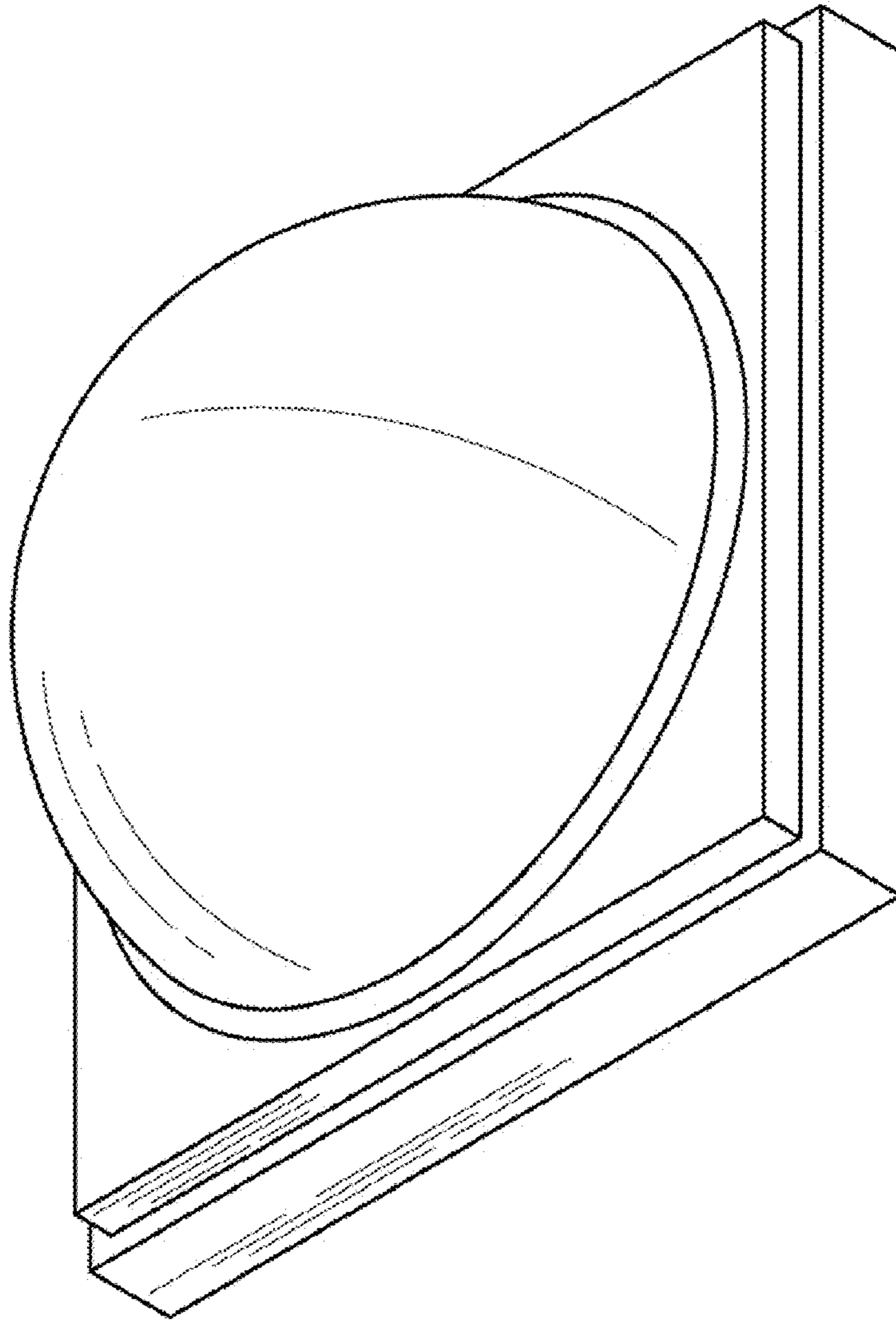


FIG. 1

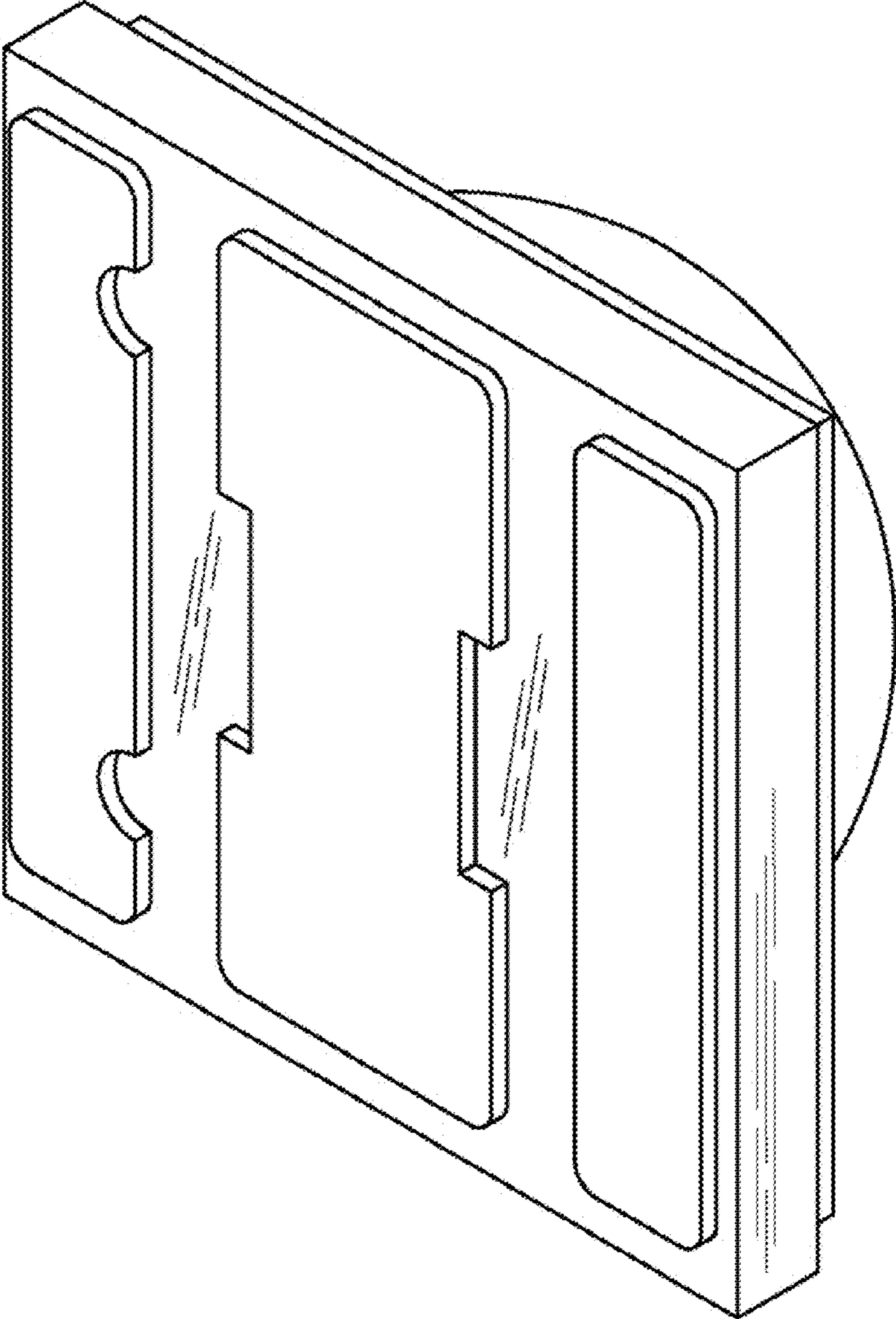


FIG.2

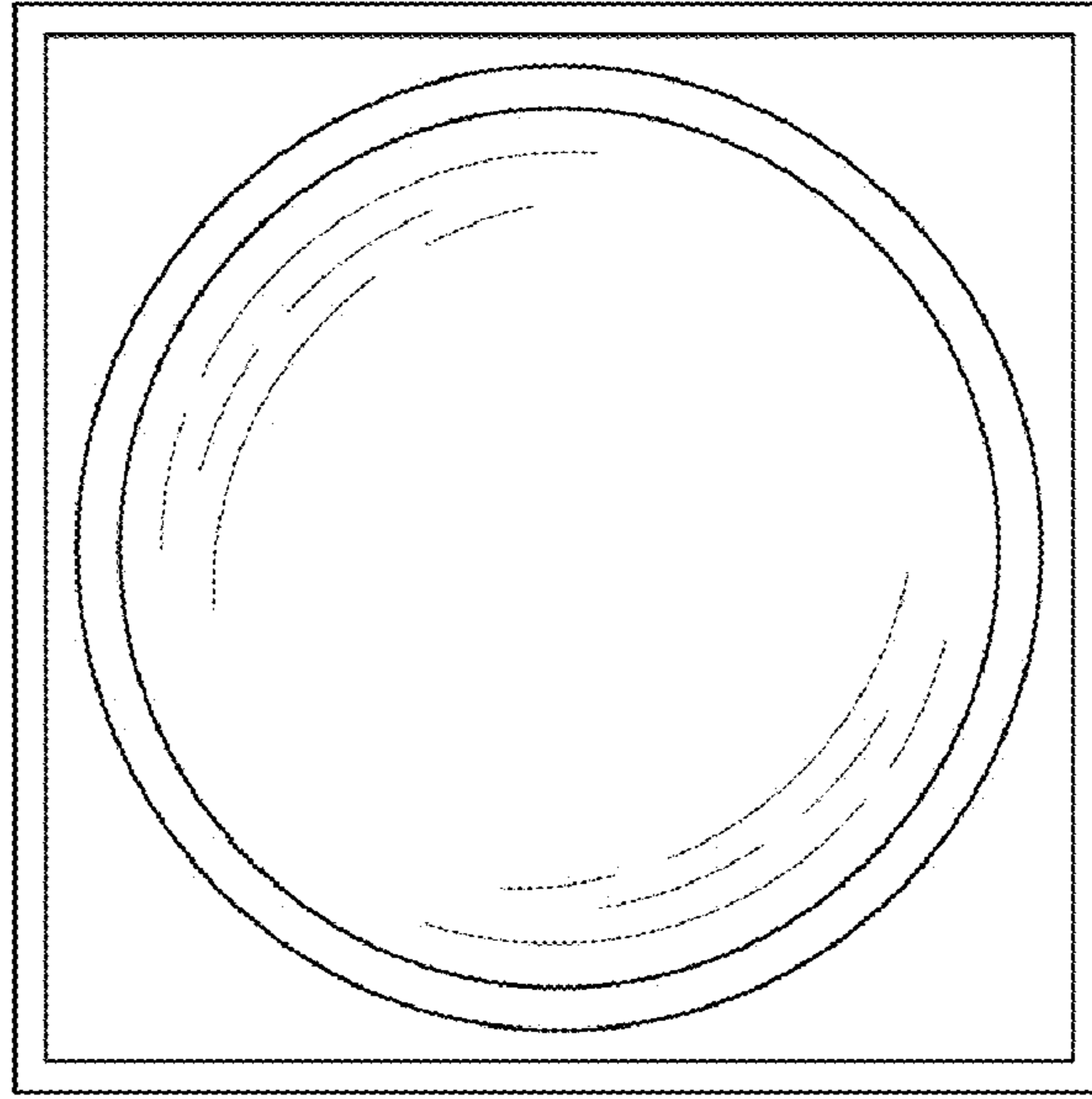


FIG.3

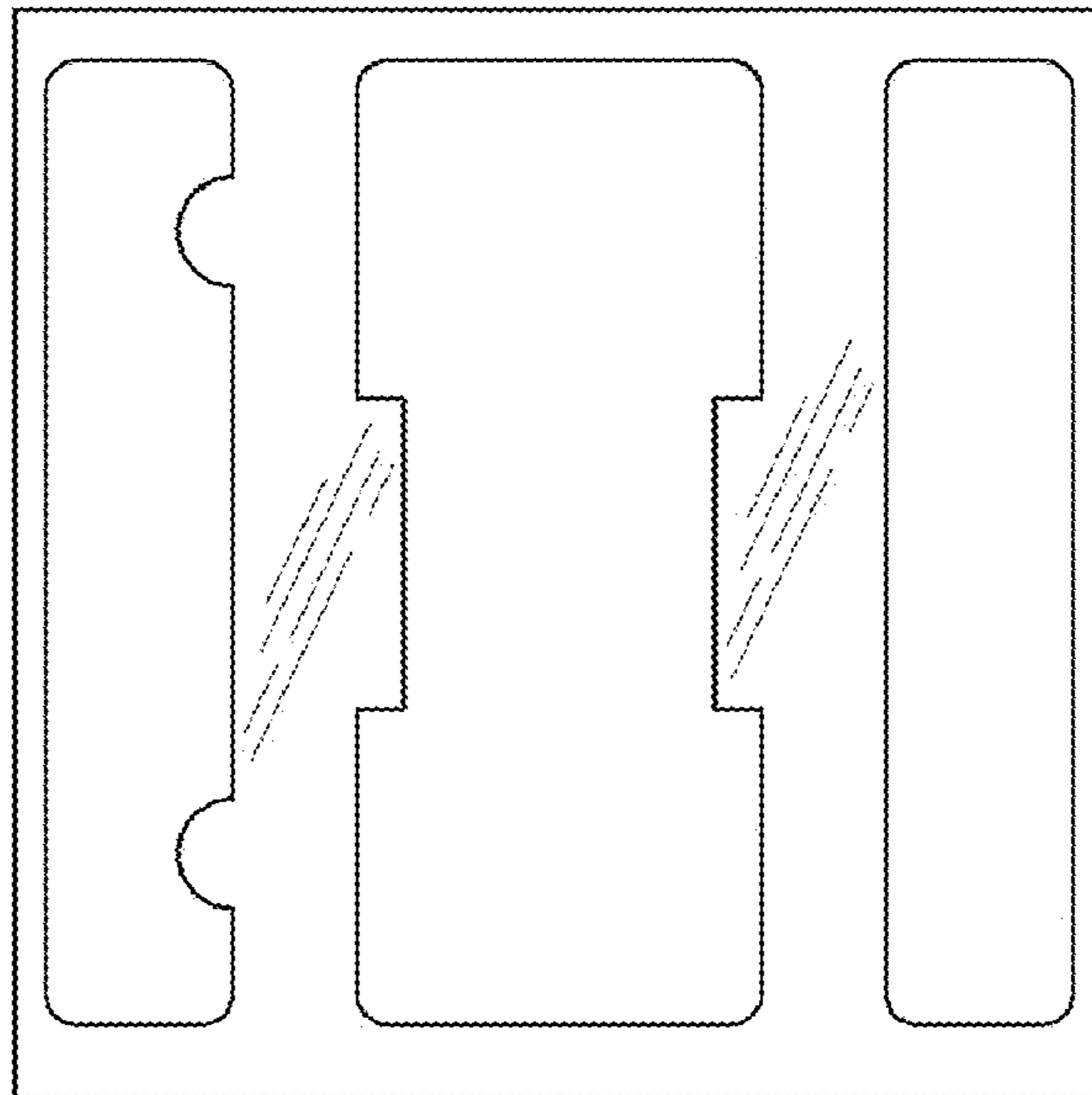


FIG.4

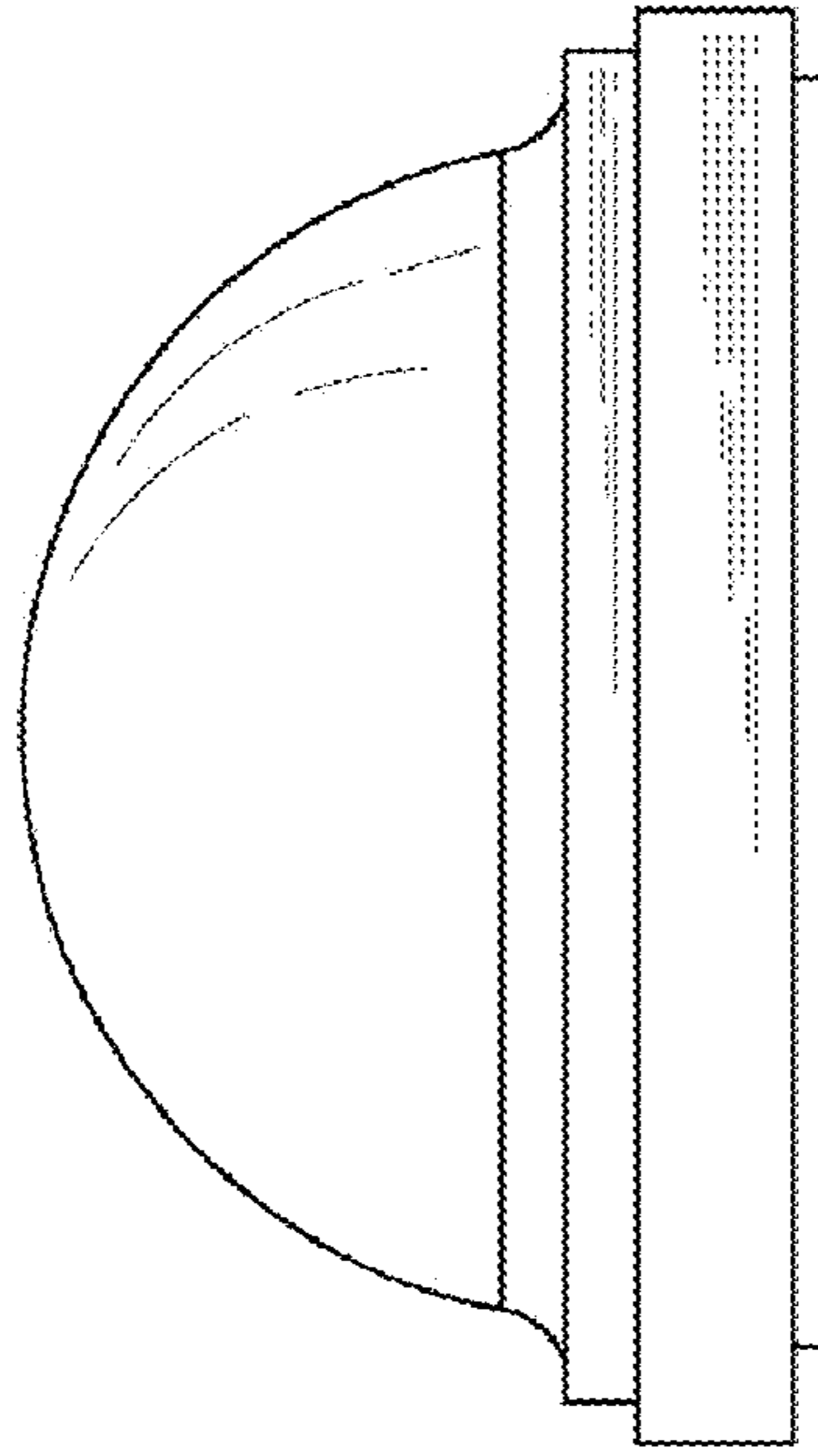


FIG. 5

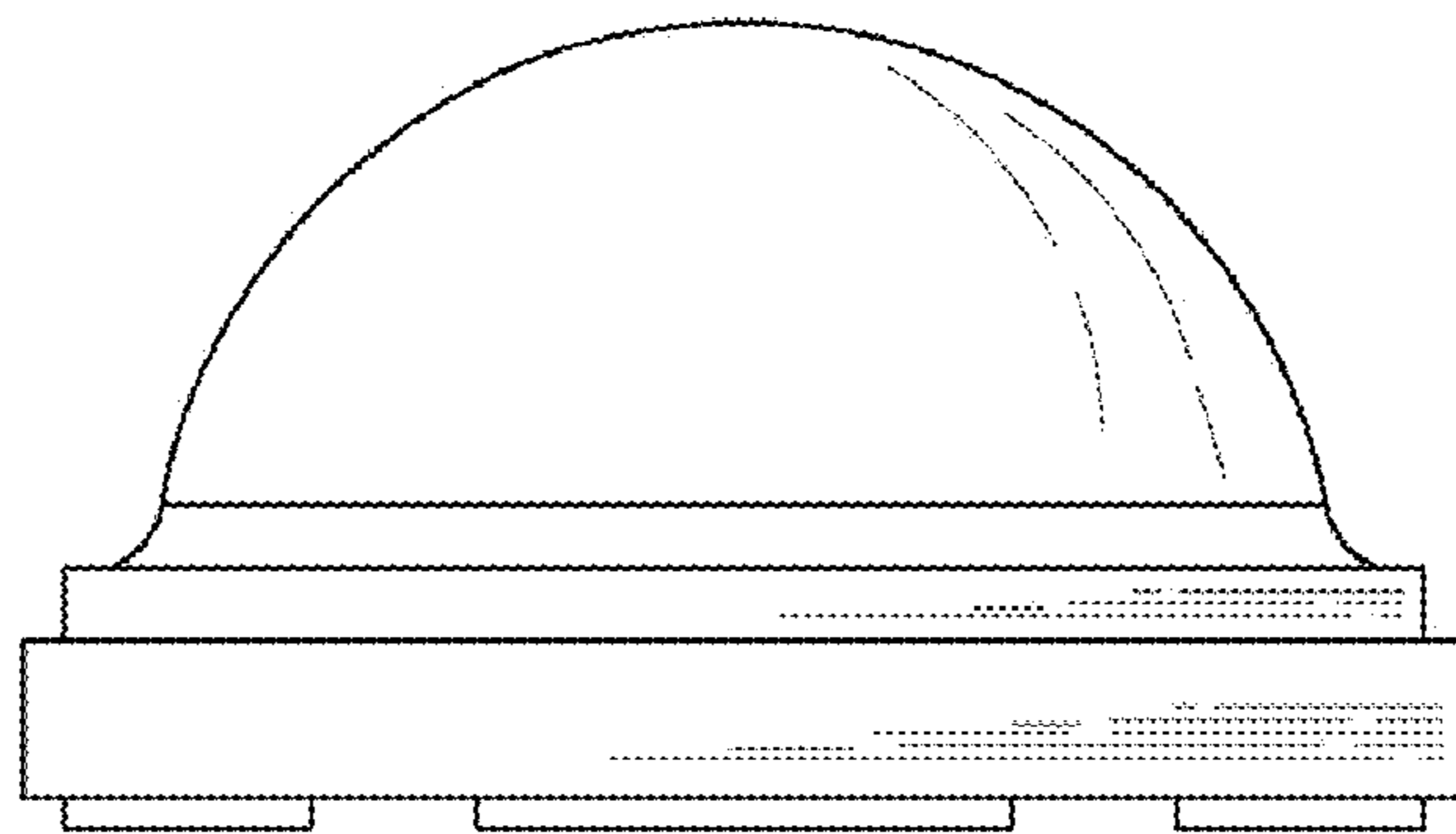


FIG. 6

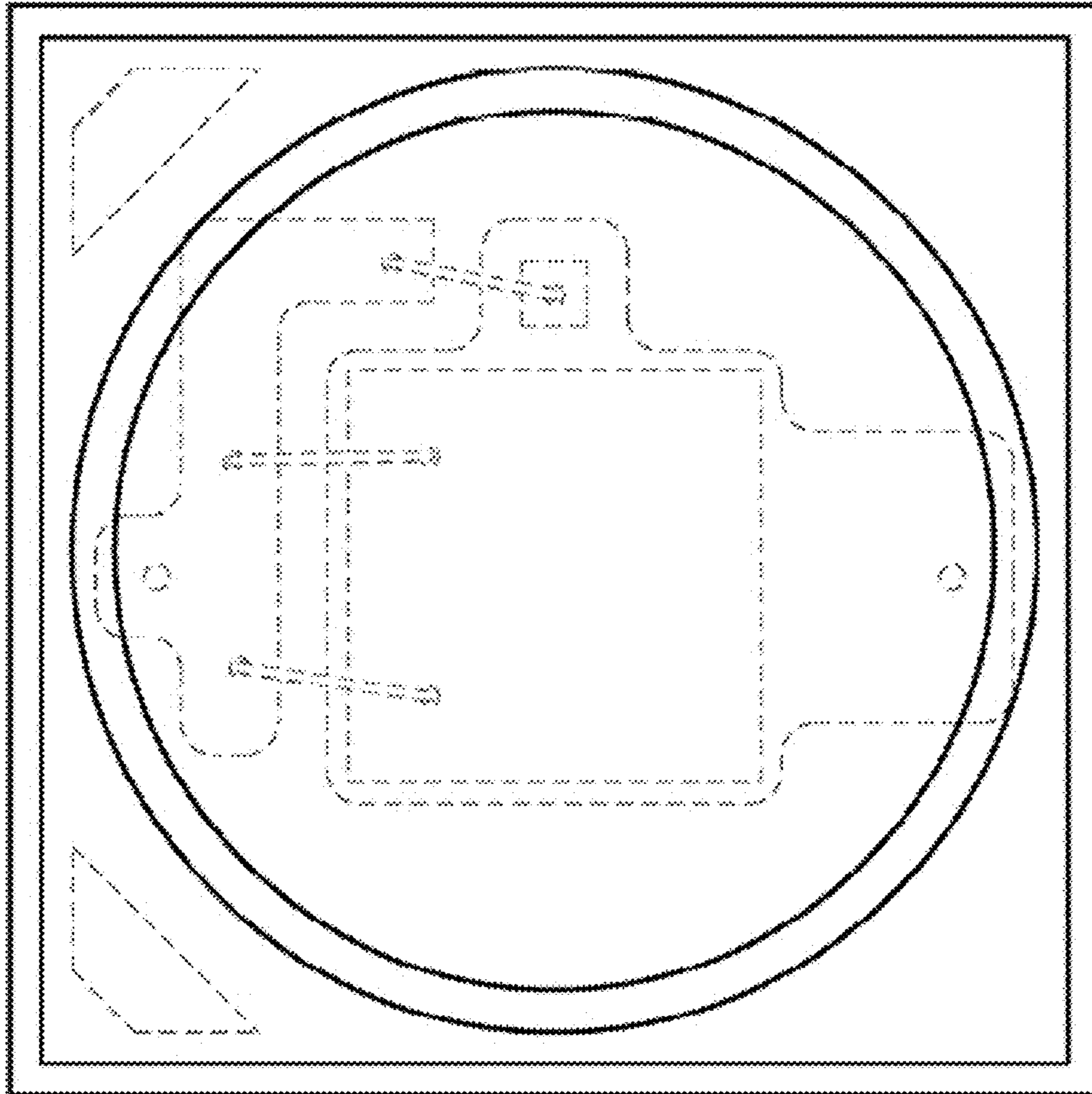


FIG. 7