



US00D651987S

(12) **United States Design Patent**
Wu

(10) **Patent No.:** **US D651,987 S**
(45) **Date of Patent:** **** Jan. 10, 2012**

(54) **PLATE TYPE CONTROLLER**

(75) Inventor: **Chou-Hsin Wu**, Xindian (TW)

(73) Assignee: **T-Motion Technology Co., Ltd.**, Taipei (TW)

(**) Term: **14 Years**

(21) Appl. No.: **29/363,713**

(22) Filed: **Jun. 14, 2010**

(51) **LOC (9) Cl.** **14-03**

(52) **U.S. Cl.** **D13/168; D13/162**

(58) **Field of Classification Search** D13/162,
D13/168; D10/50; D14/496, 203.7, 218,
D14/240; 315/158, 295; 340/4.3, 4.42, 12.22,
340/12.23, 12.24, 12.29, 12.3, 13.2, 13.21,
340/13.24; 341/176; 345/169; 348/734;
455/352; 700/17, 65, 83

See application file for complete search history.

(56) **References Cited**

U.S. PATENT DOCUMENTS

D435,580 S * 12/2000 Grinkus D17/99
D478,051 S * 8/2003 Sagawa D13/168
D575,240 S * 8/2008 Landerholm et al. D13/162
D582,862 S * 12/2008 Landerholm et al. D13/162

D637,978 S * 5/2011 Liao et al. D13/168
* cited by examiner

Primary Examiner — Selina Sikder

(74) *Attorney, Agent, or Firm* — Chun-Ming Shih; HDLS IPR Services

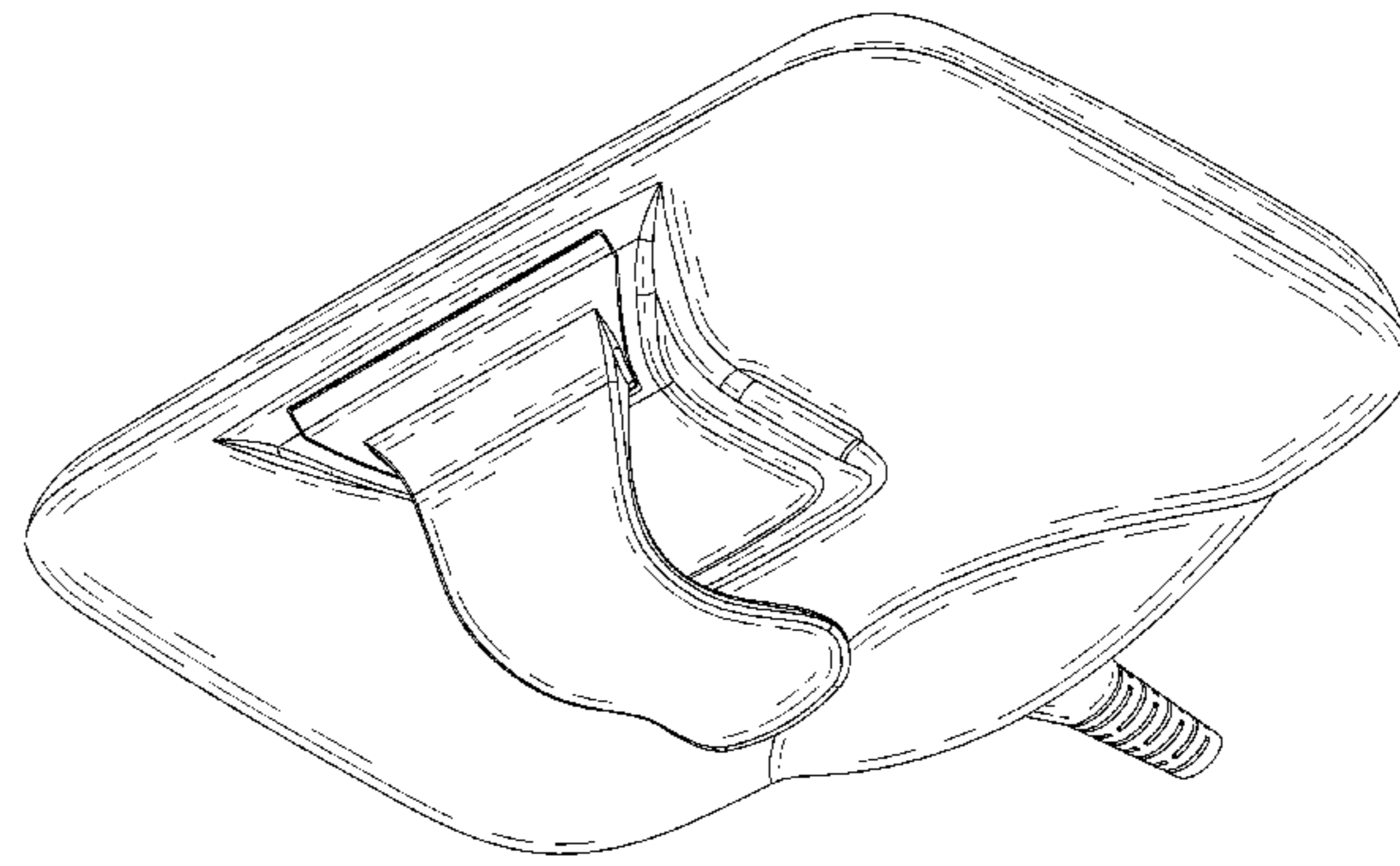
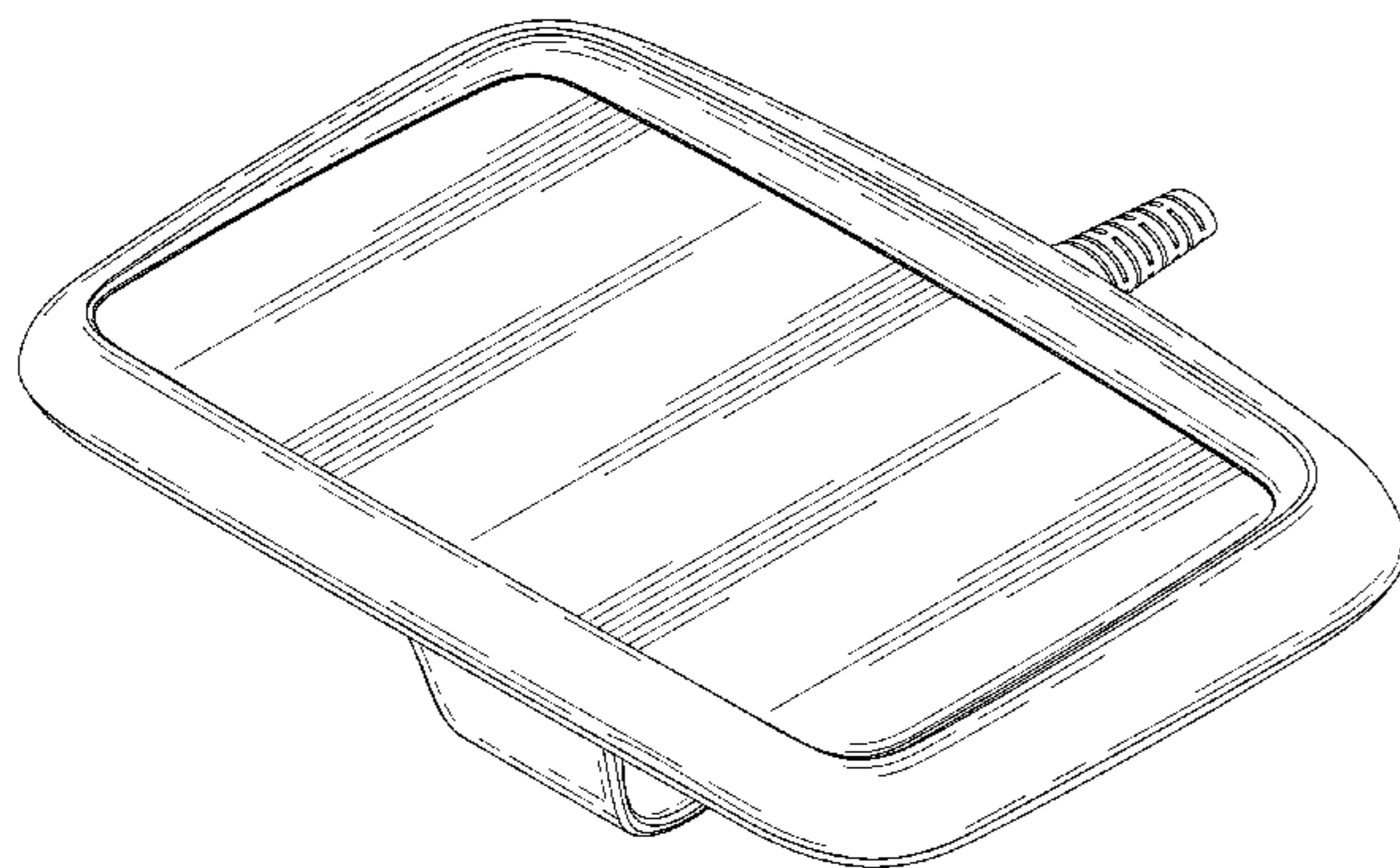
(57) **CLAIM**

The ornamental design for a plate type controller, as shown and described.

DESCRIPTION

FIG. 1 is a perspective view of a plate type controller showing my new design;
FIG. 2 is a front view thereof;
FIG. 3 is a rear view thereof;
FIG. 4 is a left side view thereof;
FIG. 5 is a right side view thereof;
FIG. 6 is a top view thereof;
FIG. 7 is a bottom view thereof.
FIG. 8 is another perspective view showing the plate type controller; and,
FIG. 9 is a reference view showing the plate type controller in use.
The broken line environmental showing is for illustrative purpose only and forms no part of the claimed design.

1 Claim, 9 Drawing Sheets



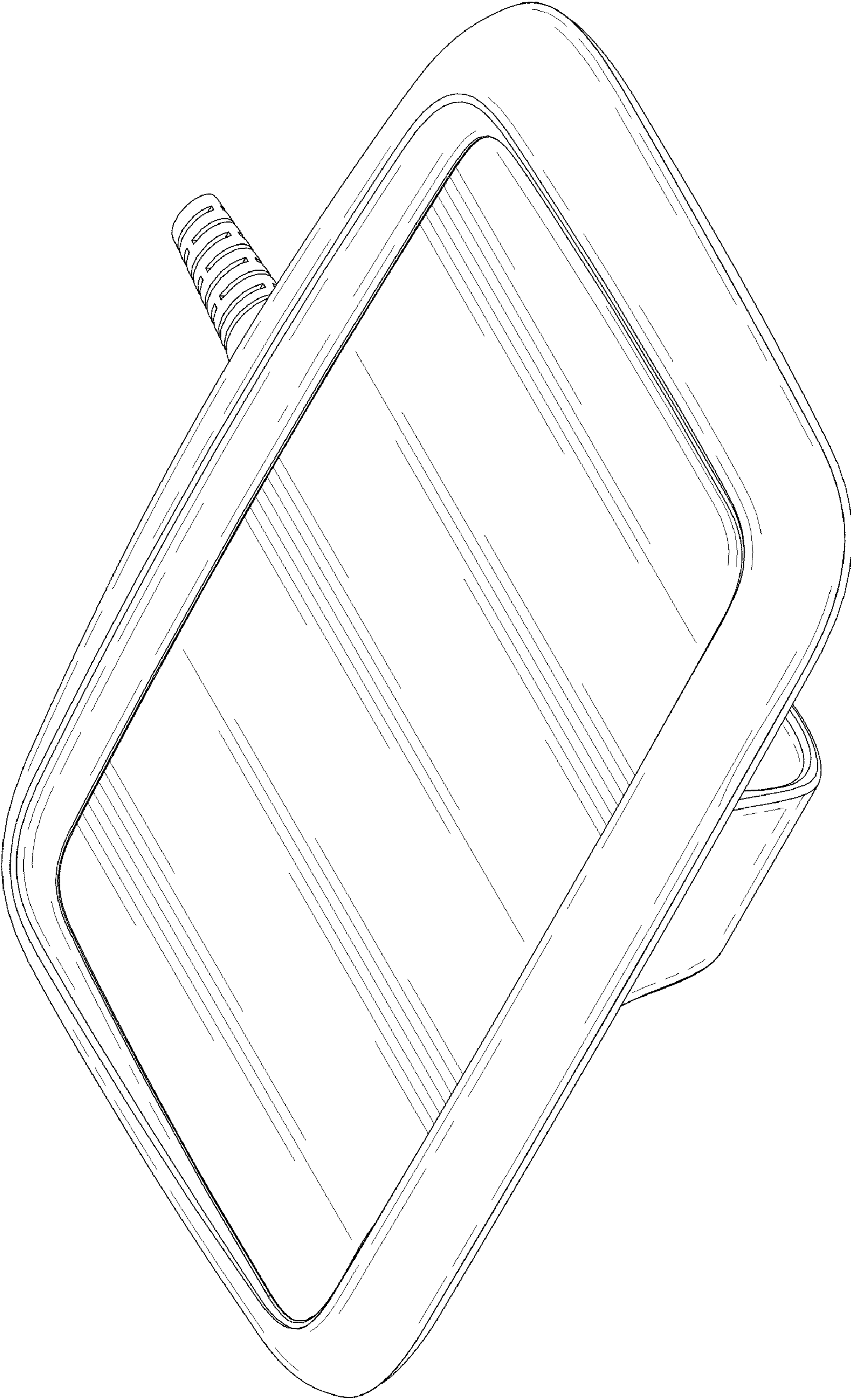


FIG.1

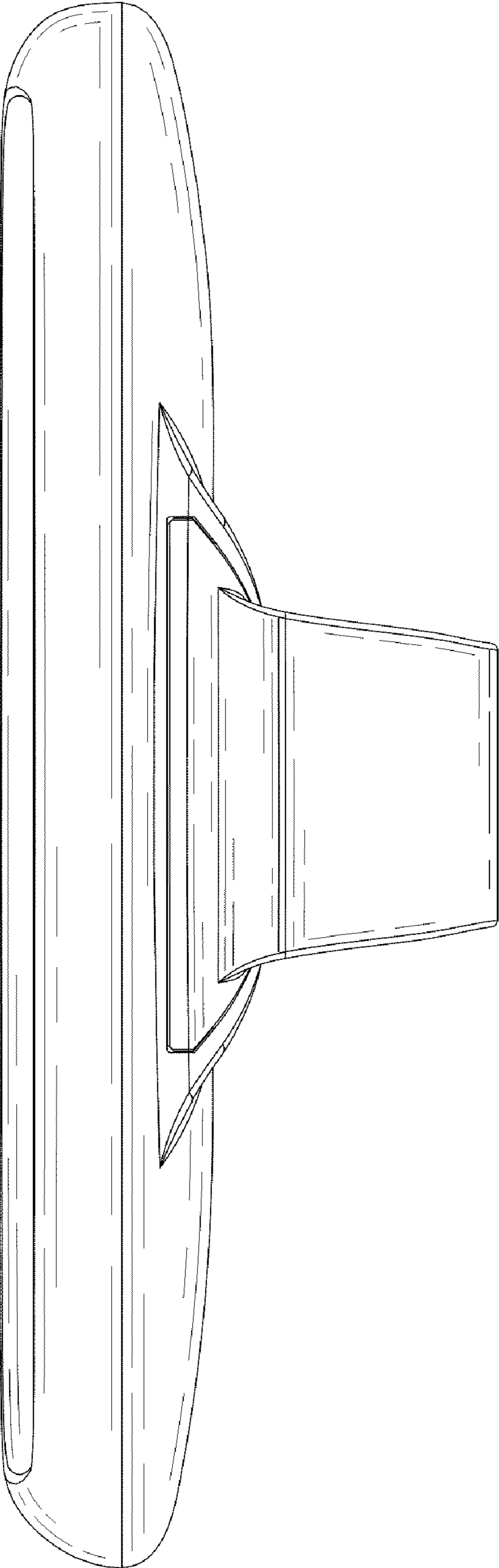


FIG.2

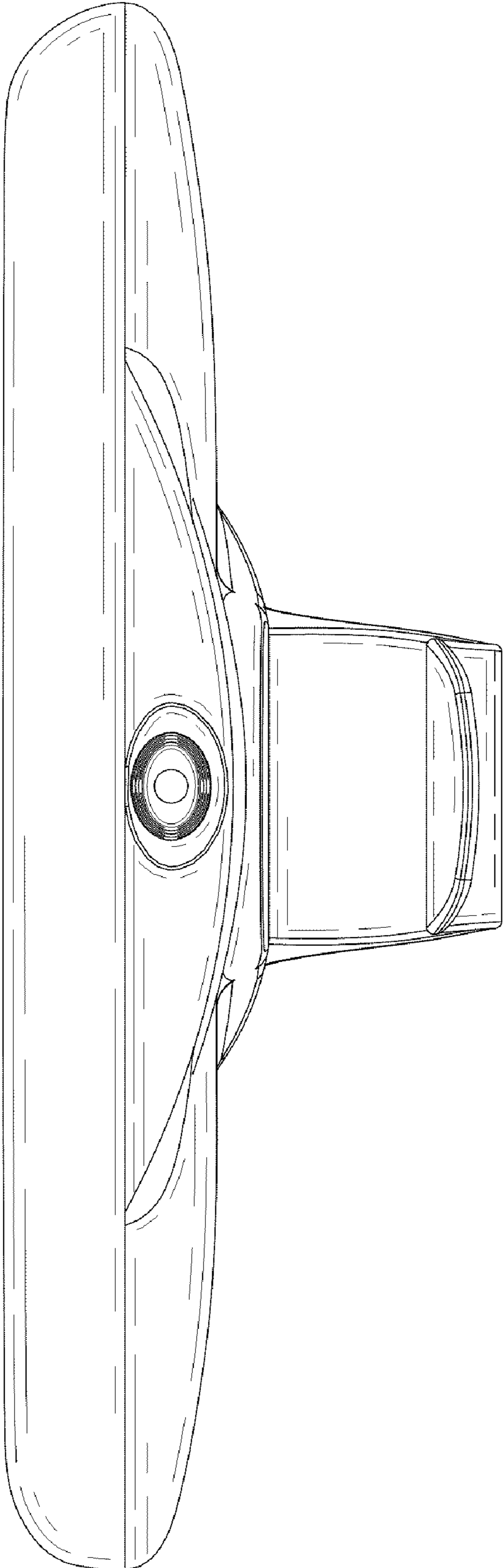


FIG.3

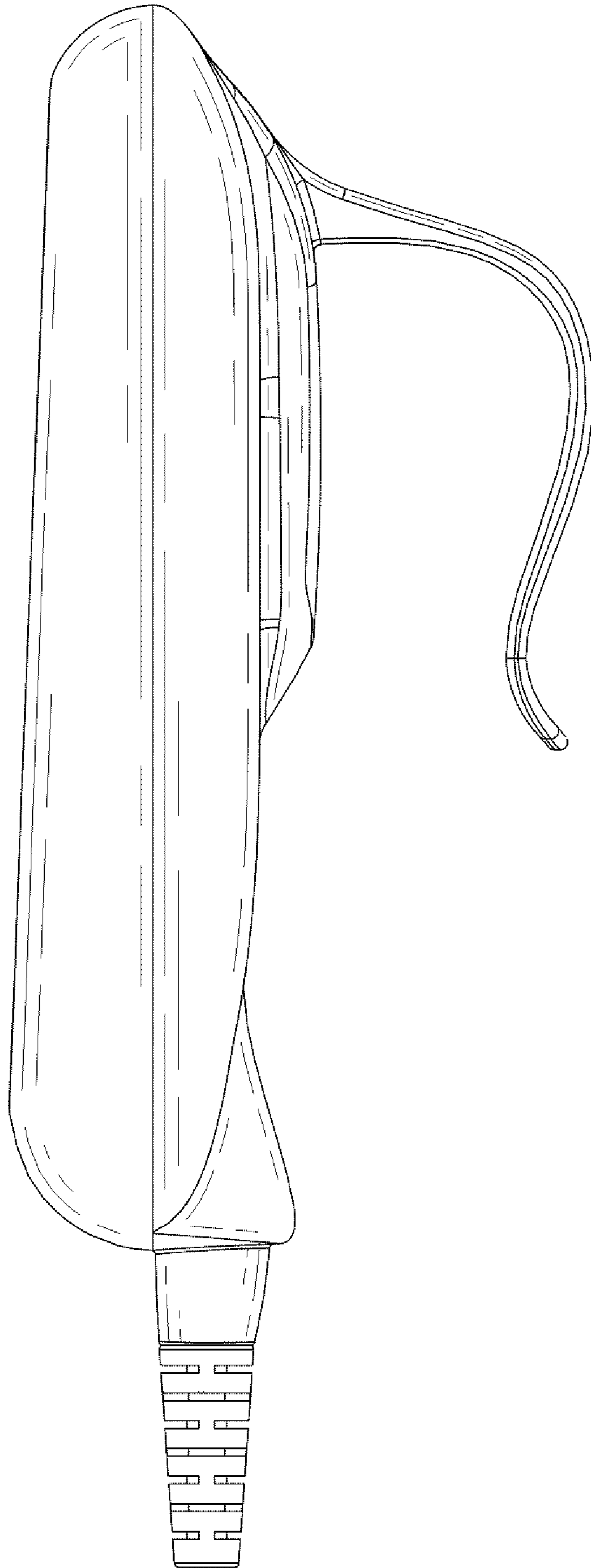


FIG.4

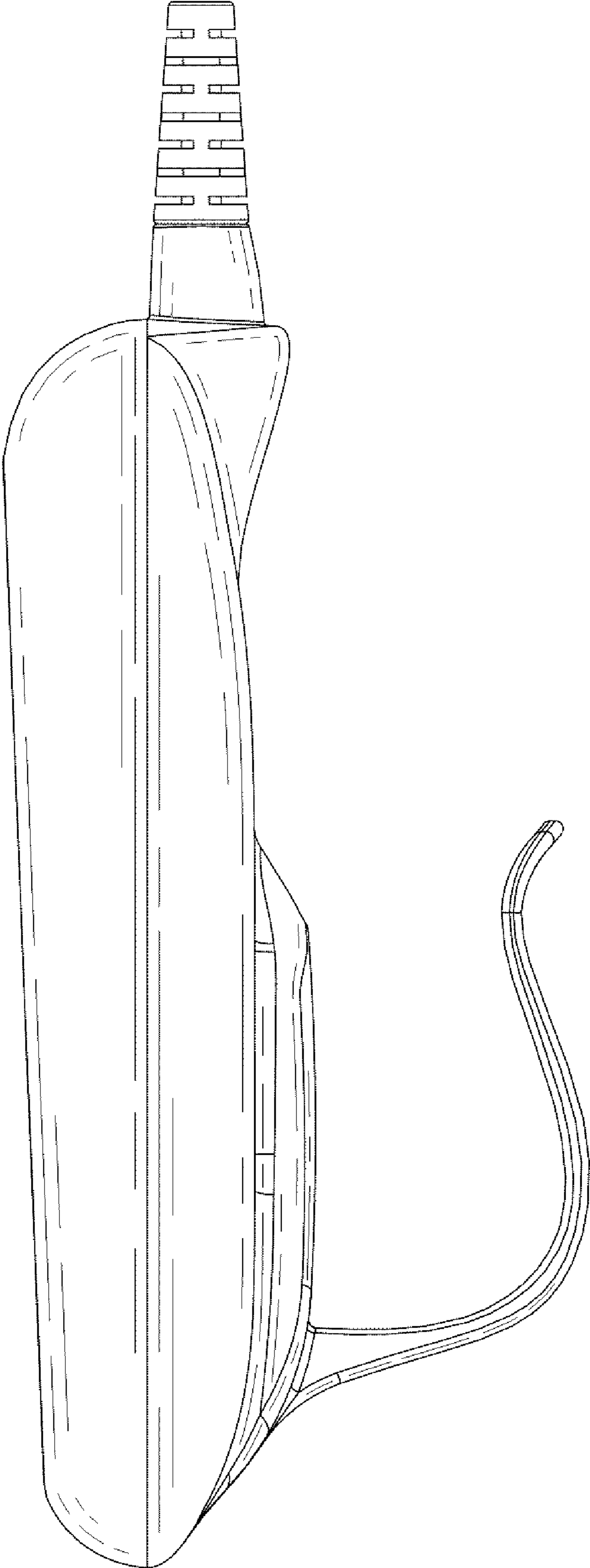


FIG.5

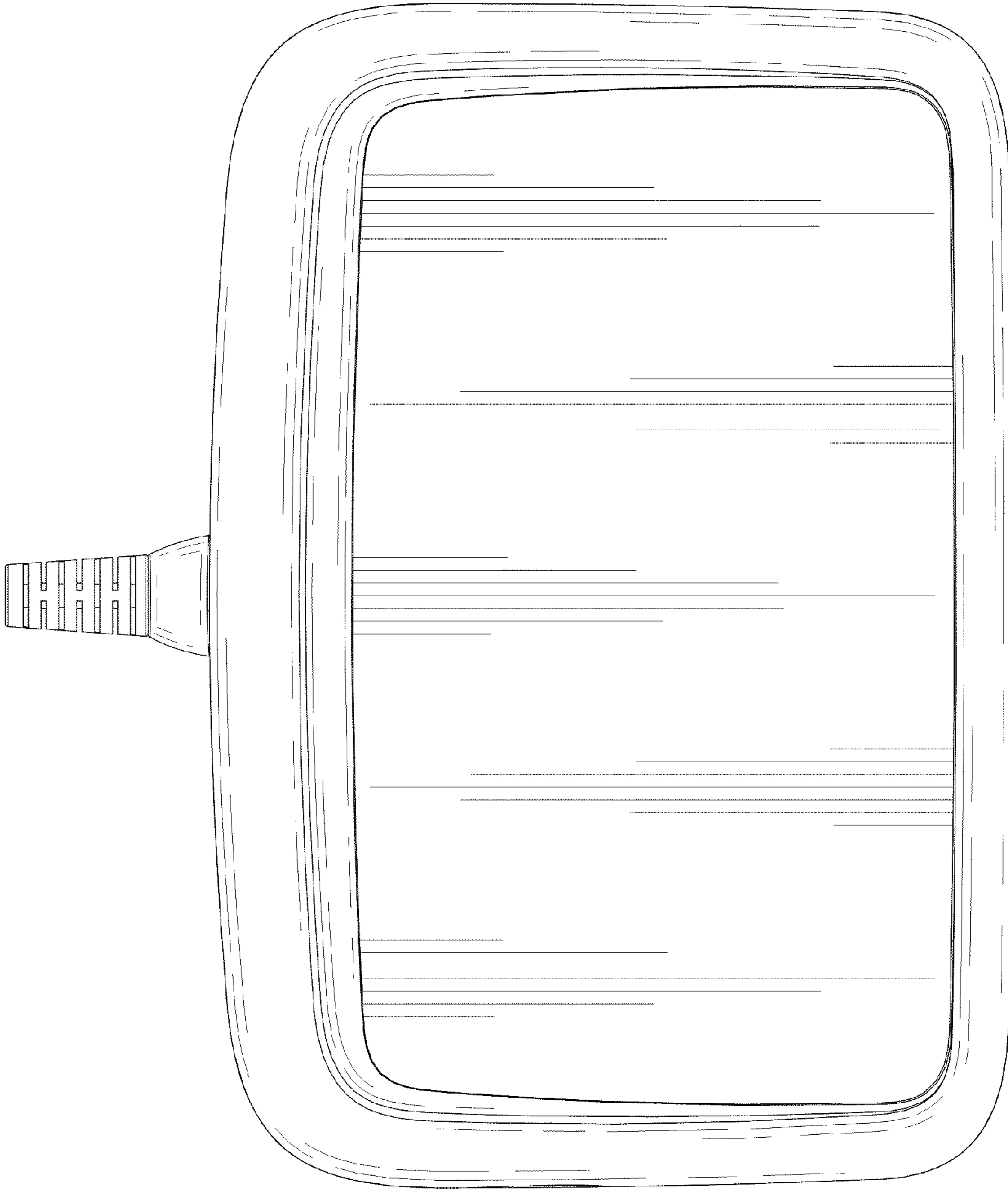


FIG.6

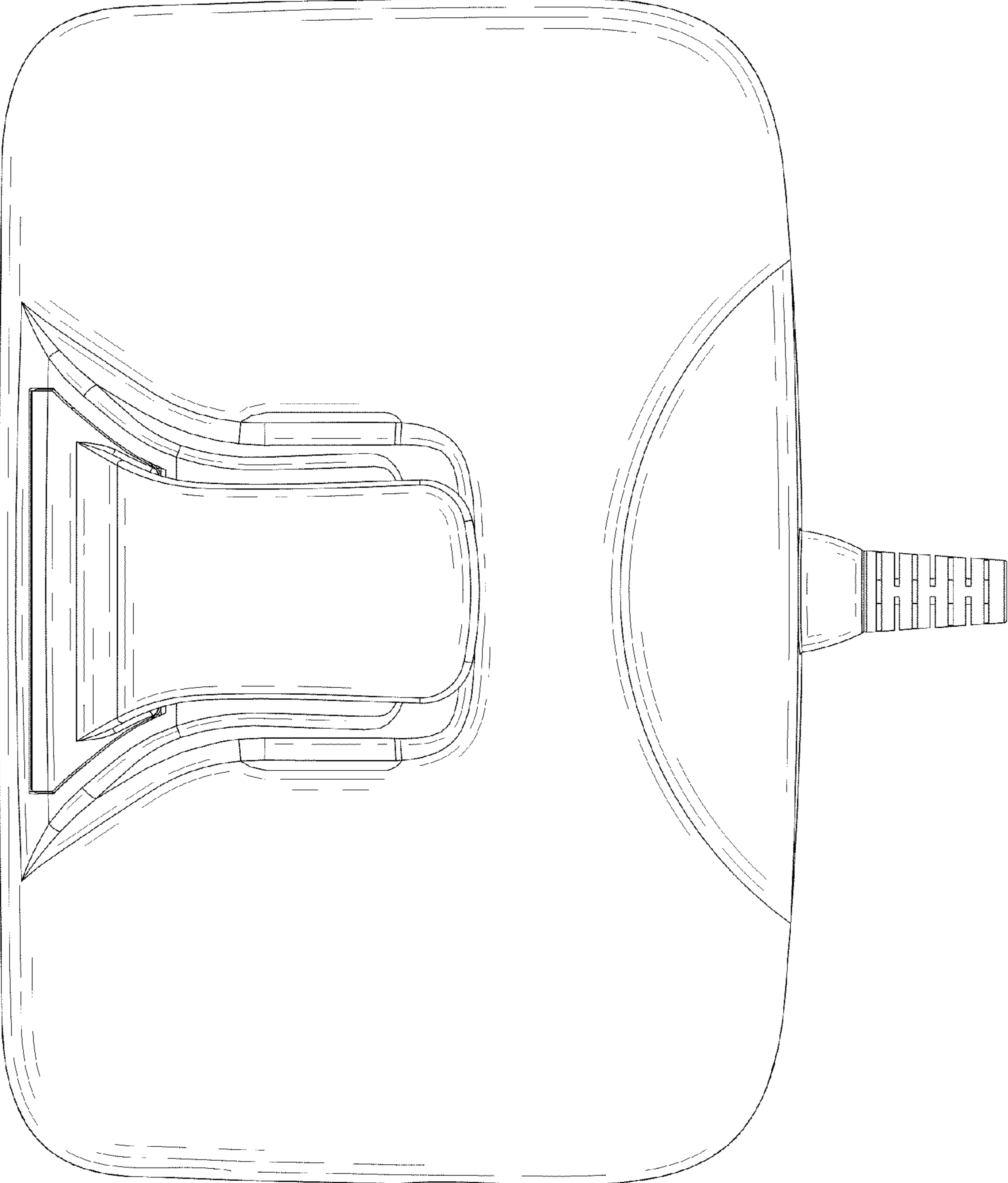


FIG.7

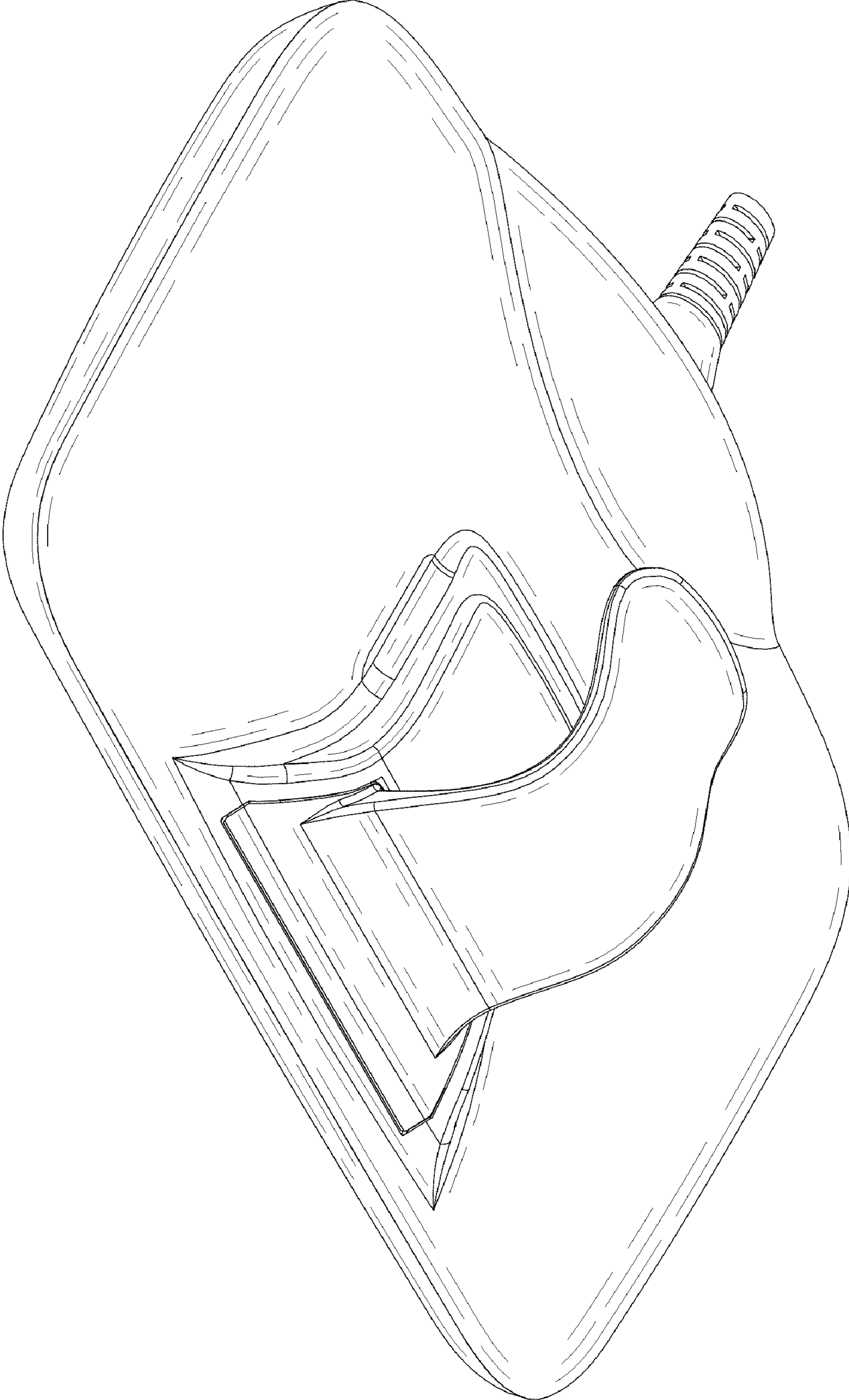


FIG.8

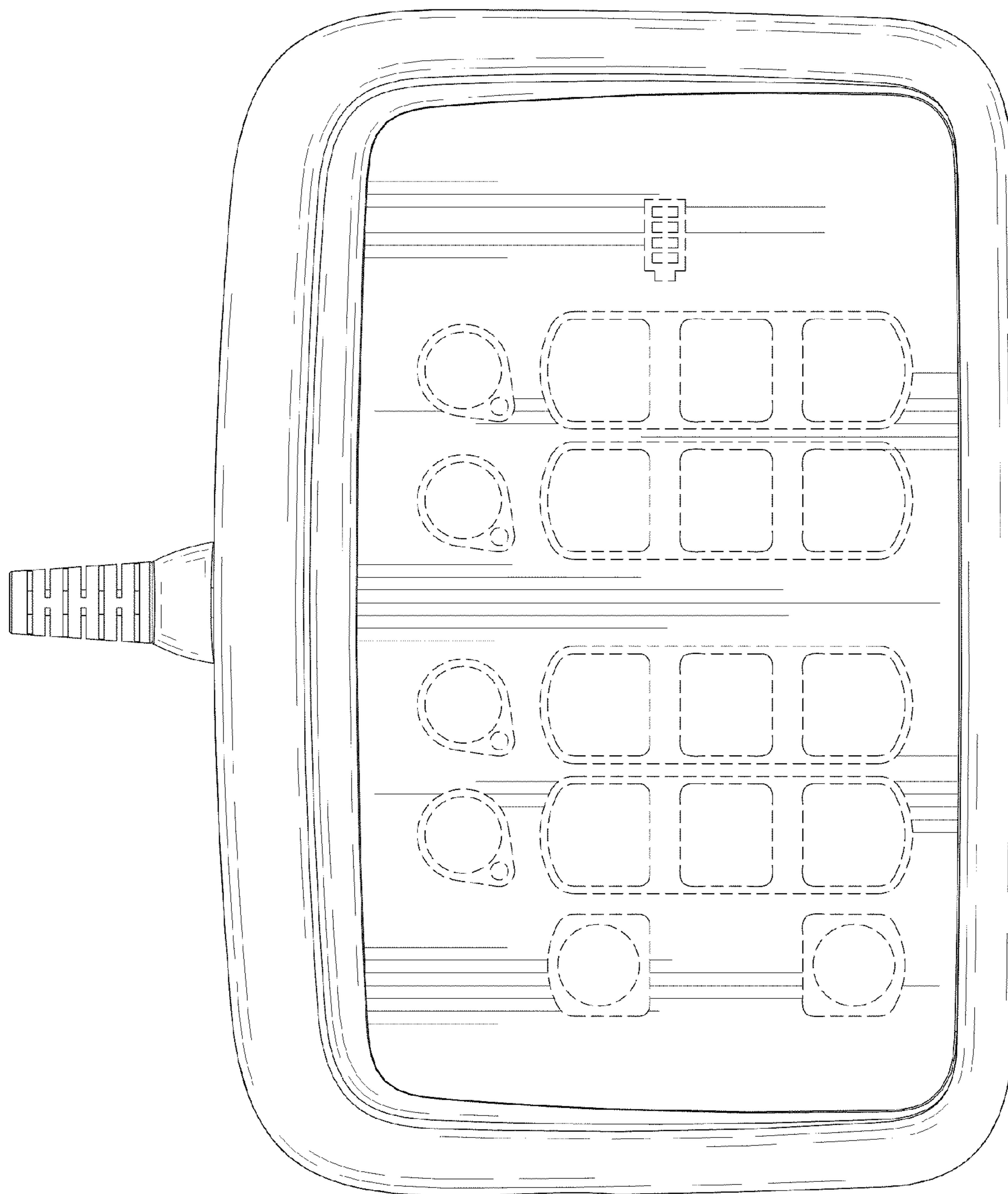


FIG.9