



US00D651986S

(12) **United States Design Patent**  
**Feldstein et al.**

(10) **Patent No.:** **US D651,986 S**  
(45) **Date of Patent:** **\*\* \*Jan. 10, 2012**

(54) **WALL MOUNTED BUTTON PANEL WITH SPLIT BUTTONS**

(75) Inventors: **George Feldstein**, Rockleigh, NJ (US);  
**Stan Wisniewski**, Pompton Plains, NJ (US)

(73) Assignee: **Crestron Electronics Inc.**, Rockleigh, NJ (US)

(\*) Notice: This patent is subject to a terminal disclaimer.

(\*\*) Term: **14 Years**

(21) Appl. No.: **29/385,732**

(22) Filed: **Feb. 18, 2011**

**Related U.S. Application Data**

(63) Continuation-in-part of application No. 29/356,069, filed on Feb. 19, 2010, now Pat. No. Des. 636,738.

(51) **LOC (9) Cl.** ..... **13-03**

(52) **U.S. Cl.** ..... **D13/164; D13/171**

(58) **Field of Classification Search** ..... D13/162, D13/164, 171, 174; 200/5 R, 5 A, 520, 530, 200/293, 296, 302.2, 308, 310, 314, 329, 200/341; 307/139, 157; 315/209 R, 224, 315/246, 291, 294, 295

See application file for complete search history.

(56) **References Cited**

**U.S. PATENT DOCUMENTS**

4,529,951 A	7/1985	Youichi
D285,066 S	8/1986	Liss et al.
D287,242 S	12/1986	Liss et al.
4,716,357 A	12/1987	Cooper
4,728,866 A	3/1988	Capewell
4,876,498 A	10/1989	Luchaco
4,888,494 A	12/1989	McNair et al.
4,954,768 A	9/1990	Luchaco et al.

D311,382 S	10/1990	Mayo et al.	
D311,485 S	10/1990	Jacoby et al.	
D311,678 S	10/1990	Graef et al.	
D313,738 S	1/1991	Mayo et al.	
D319,429 S	8/1991	D'Aleo et al.	
D327,255 S	6/1992	D'Aleo et al.	
D331,741 S	* 12/1992	Fujiyoshi	D13/169
D331,742 S	* 12/1992	Fujiyoshi	D13/169
D331,743 S	* 12/1992	Fujiyoshi	D13/169
D336,744 S	6/1993	Kahn et al.	
5,260,669 A	11/1993	Higgins et al.	
D344,264 S	2/1994	D'Aleo et al.	
5,289,043 A	2/1994	Marshall et al.	
5,293,308 A	3/1994	Boys et al.	
D353,798 S	12/1994	Bryde	
5,399,926 A	3/1995	Adams et al.	
5,430,356 A	7/1995	Ference	
5,463,286 A	10/1995	D'Aleo et al.	

(Continued)

**OTHER PUBLICATIONS**

Crestron Electronics, Inc., Cameo Keypads Operations and Installation Guide, Feb. 2006, pp. front, cover, i, 1-8, rear cover.

*Primary Examiner* — Selina Sikder

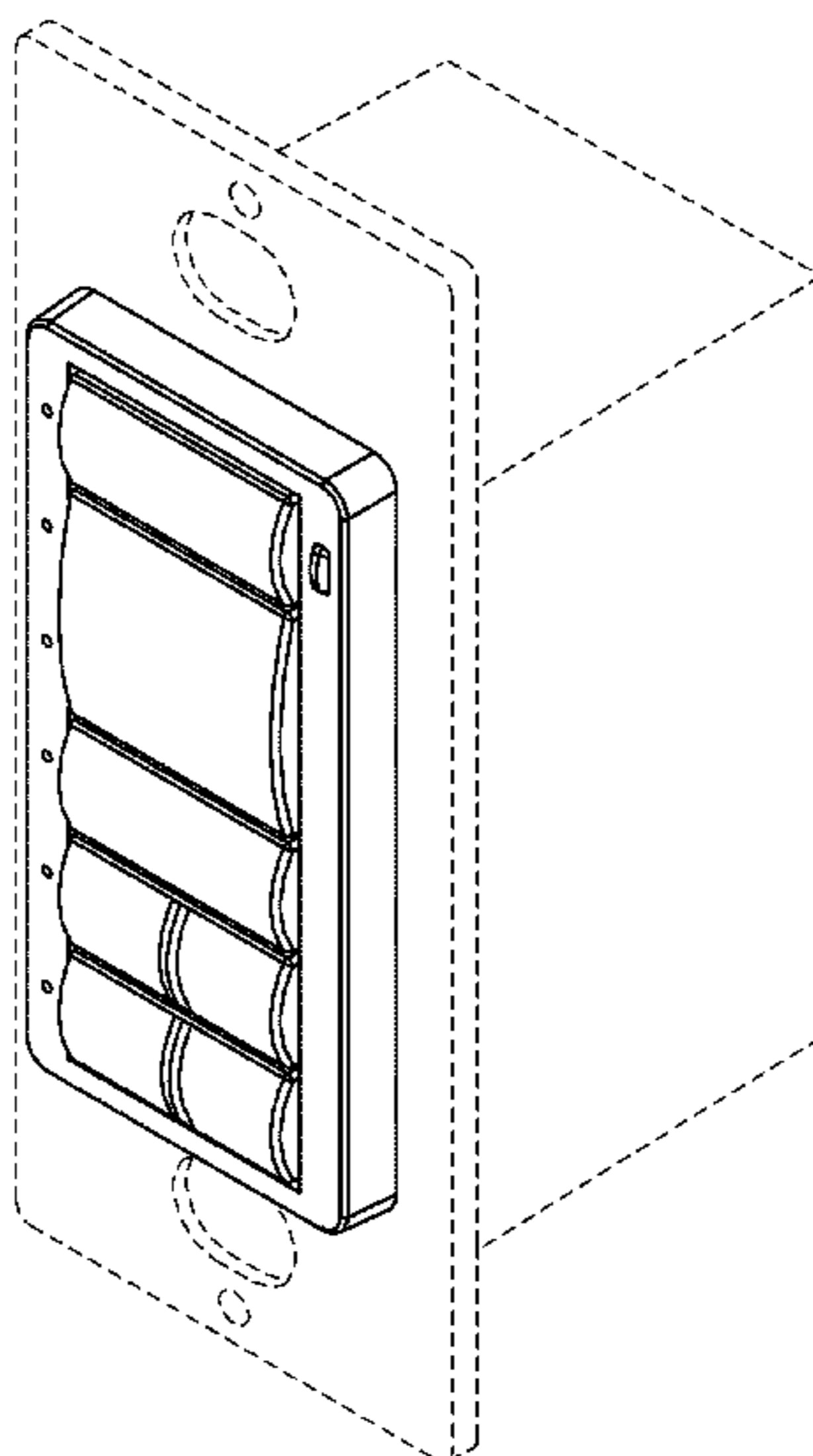
(57) **CLAIM**

The ornamental design for a wall mounted button panel with split buttons, as shown and described.

**DESCRIPTION**

FIG. 1 is a front elevation view of a wall mounted button panel with split buttons, showing our new design; FIG. 2 is an isometric projection thereof; FIG. 3 is a left side elevational view thereof; FIG. 4 is a right side elevation view thereof; FIG. 5 is a top plan view thereof; and, FIG. 6 is a bottom plan view thereof. The broken line portion of the figure drawings is included to show unclaimed subject matter only and forms no part of the claimed design.

**1 Claim, 4 Drawing Sheets**



# US D651,986 S

Page 2

## U.S. PATENT DOCUMENTS

5,485,058 A *	1/1996	Watson et al. ....	315/194	D551,631 S	9/2007	Mayo et al.	
5,608,196 A	3/1997	Hall		D552,042 S	10/2007	Mayo et al.	
5,670,858 A	9/1997	Heath		D557,662 S	12/2007	Spira	
D389,461 S	1/1998	Mayo et al.		D557,664 S	12/2007	Hewson et al.	
D389,805 S	1/1998	Mayo et al.		D557,665 S	12/2007	Hewson et al.	
D395,037 S	6/1998	Mayo et al.		D572,664 S	7/2008	Hollner et al.	
D404,013 S	1/1999	Mayo et al.		D572,665 S	7/2008	Hollner et al.	
5,903,139 A	5/1999	Kompelien		D572,666 S	7/2008	Biery et al.	
D412,315 S	7/1999	Mayo et al.		D573,546 S	7/2008	Hollner	
D421,246 S	2/2000	Mayo et al.		D573,956 S	7/2008	Hollner et al.	
D422,567 S	4/2000	Mayo		D574,787 S	8/2008	Hollner	
6,091,205 A	7/2000	Newman, Jr. et al.		D576,958 S	9/2008	Hollner	
D428,855 S	8/2000	Mayo et al.		D580,881 S	11/2008	Hollner	
6,120,262 A	9/2000	McDonough et al.		D580,882 S	11/2008	Hollner	
D436,930 S	1/2001	Butler		D580,883 S	11/2008	Hollner	
D437,585 S	2/2001	Mayo		D580,884 S	11/2008	Hollner	
D437,834 S	2/2001	Mayo et al.		D585,840 S	2/2009	Hollner	
6,218,787 B1	4/2001	Murcko et al.		D585,841 S	2/2009	Hollner	
D441,723 S	5/2001	Mayo et al.		D586,760 S	2/2009	Hollner et al.	
D442,558 S	5/2001	Mayo et al.		D588,070 S	3/2009	Hollner et al.	
D450,043 S	11/2001	Mosebrook		D588,071 S	3/2009	Hollner et al.	
D453,742 S	2/2002	Butler		D588,072 S	3/2009	Hollner et al.	
6,356,038 B2	3/2002	Bishel		D588,073 S	3/2009	Hollner et al.	
6,380,696 B1 *	4/2002	Sembhi et al. ....	315/294	D588,074 S	3/2009	Hollner	
D456,783 S	5/2002	Mayo et al.		D588,075 S	3/2009	Hollner	
D461,782 S	8/2002	Butler et al.		D588,553 S	3/2009	Hollner et al.	
D465,460 S	11/2002	Mayo		D595,663 S	7/2009	Hollner	
D466,090 S	11/2002	Bennett		D595,665 S	7/2009	Hollner	
D466,091 S	11/2002	Bennett		D595,666 S	7/2009	Hollner	
D466,484 S	12/2002	Bennett		D596,140 S	7/2009	Hollner	
6,545,434 B2	4/2003	Sembhi et al.		7,609,007 B1	10/2009	Kumar	
D475,024 S	5/2003	Bennett		D604,743 S	11/2009	Altonen et al.	
D475,025 S	5/2003	Bennett		D612,400 S	3/2010	Altonen et al.	
D490,061 S	5/2004	Bennett		D613,305 S	4/2010	Altonen et al.	
D510,074 S	9/2005	Larson et al.		7,796,057 B2 *	9/2010	Swatsky et al. ....	341/23
6,969,959 B2	11/2005	Black et al.		D624,881 S	10/2010	Altonen et al.	
D516,041 S	2/2006	Hobart et al.		D624,882 S	10/2010	Altonen et al.	
D519,939 S *	5/2006	Hedderich et al. ....	D13/164	D625,273 S *	10/2010	Felegy et al. ....	D13/168
D535,950 S	1/2007	Alker et al.		D625,274 S	10/2010	Felegy	
D538,238 S	3/2007	Alker et al.		D626,092 S	10/2010	Clymer	
D539,758 S	4/2007	Blair et al.		D633,448 S	3/2011	Biery et al.	
D542,226 S	5/2007	Spira		D636,738 S *	4/2011	Feldstein et al. ....	D13/164
D542,227 S	5/2007	Larson et al.		7,928,663 B1	4/2011	Kumar	
D542,229 S	5/2007	Larson et al.		2002/0060530 A1	5/2002	Sembhi	
D543,158 S *	5/2007	Blair et al. ....	D13/162	2002/0067144 A1 *	6/2002	Hoffknecht et al. ....	315/291
D546,294 S	7/2007	Mayo et al.		2005/0275354 A1	12/2005	Hausman et al.	
D546,776 S	7/2007	Mierta et al.		2005/0284738 A1	12/2005	Altonen	
D547,733 S	7/2007	Mayo et al.		2006/0255745 A1	11/2006	DeJonge	
D547,734 S	7/2007	Mayo et al.		2007/0001654 A1	1/2007	Newman	
D550,163 S	9/2007	Mayo et al.		2007/0285027 A1	12/2007	Gehman	
D550,164 S	9/2007	Mayo et al.		2008/0024074 A1	1/2008	Mosebrook	
D550,165 S	9/2007	Mayo et al.		2008/0111501 A1	5/2008	Dobbins et al.	
D550,166 S	9/2007	Mayo et al.		2008/0237010 A1	10/2008	Patel et al.	
D551,177 S	9/2007	Larson et al.		2009/0039854 A1	2/2009	Blakely	
D551,178 S	9/2007	Mayo et al.		2009/0108765 A1	4/2009	Weightman et al.	
D551,179 S	9/2007	Mayo et al.		2010/0214756 A1	8/2010	Feldstein	
D551,630 S	9/2007	Larson et al.					

\* cited by examiner

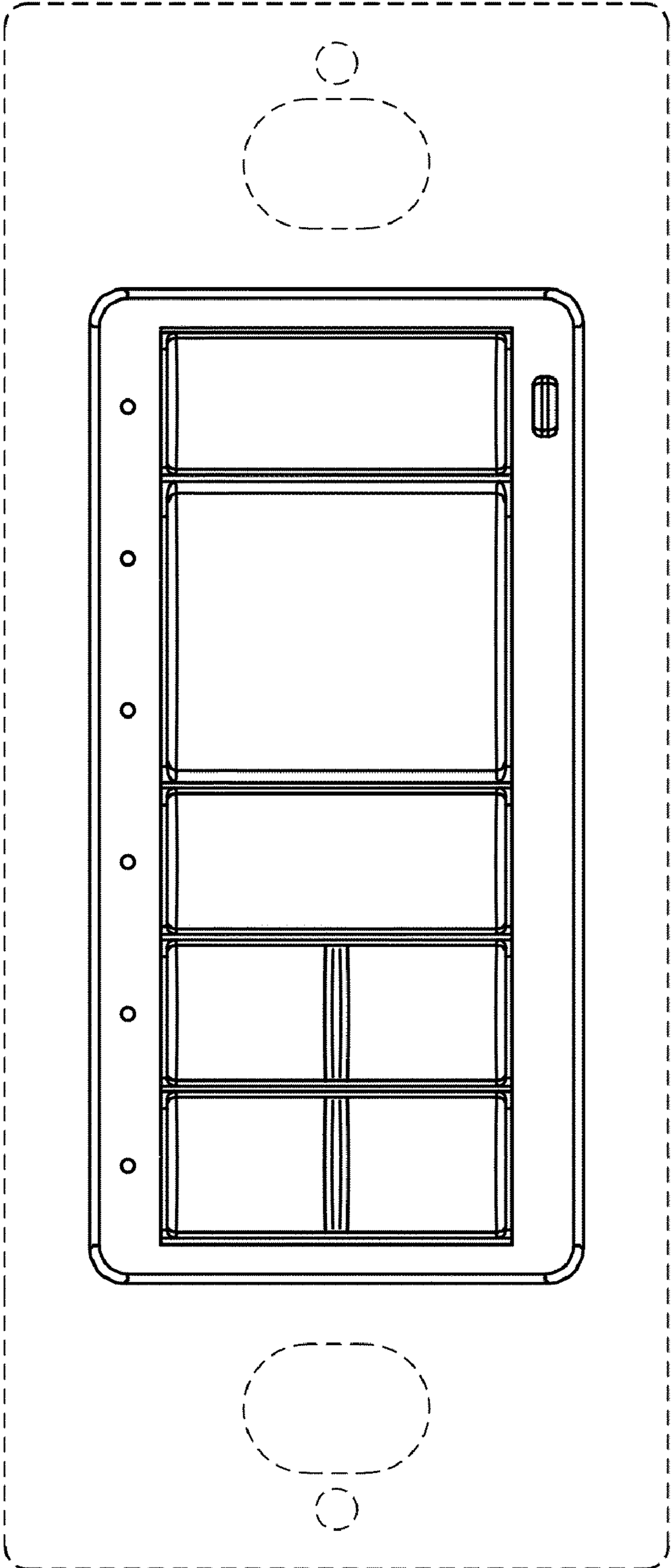


FIG. 1

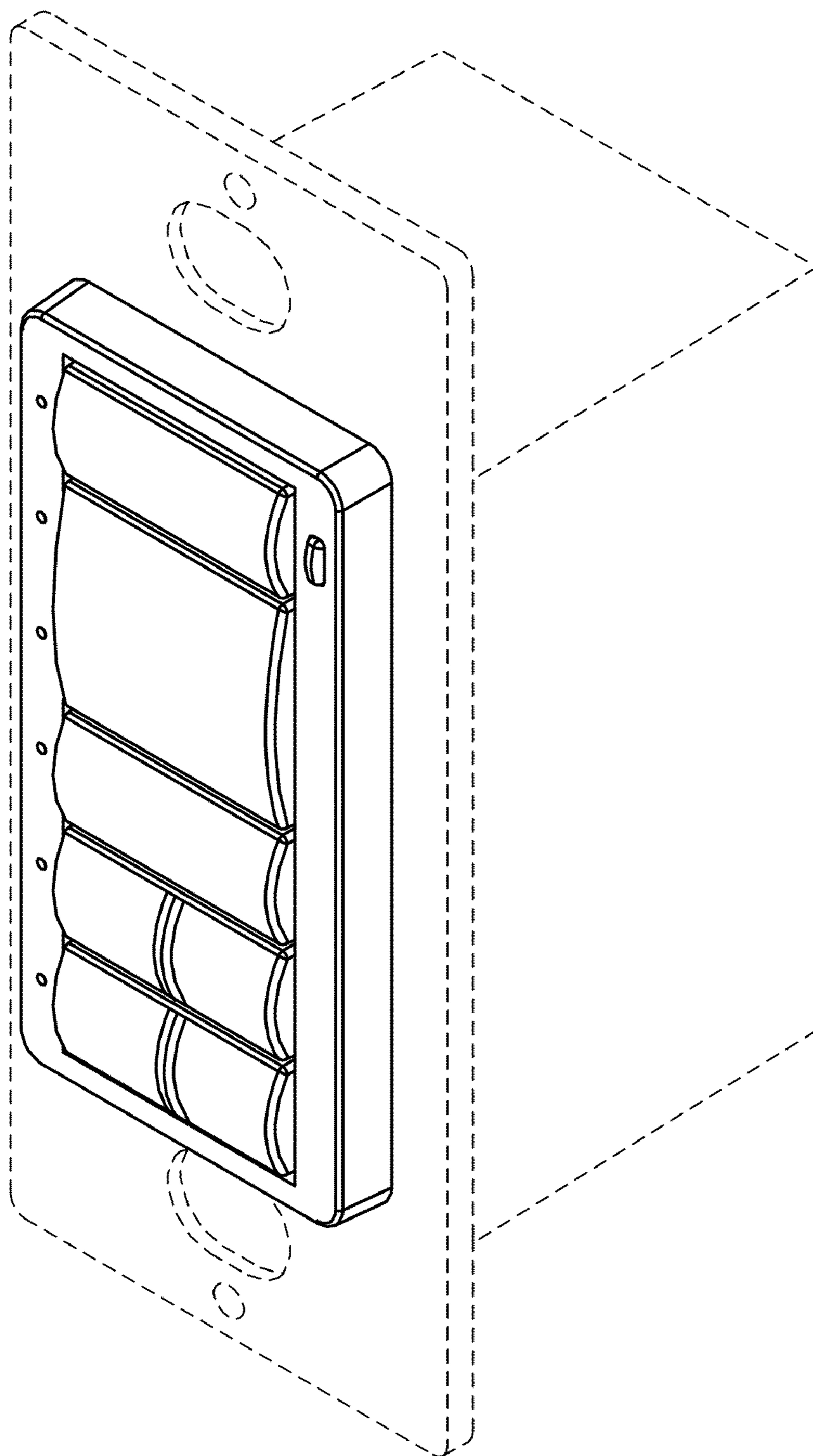


FIG. 2

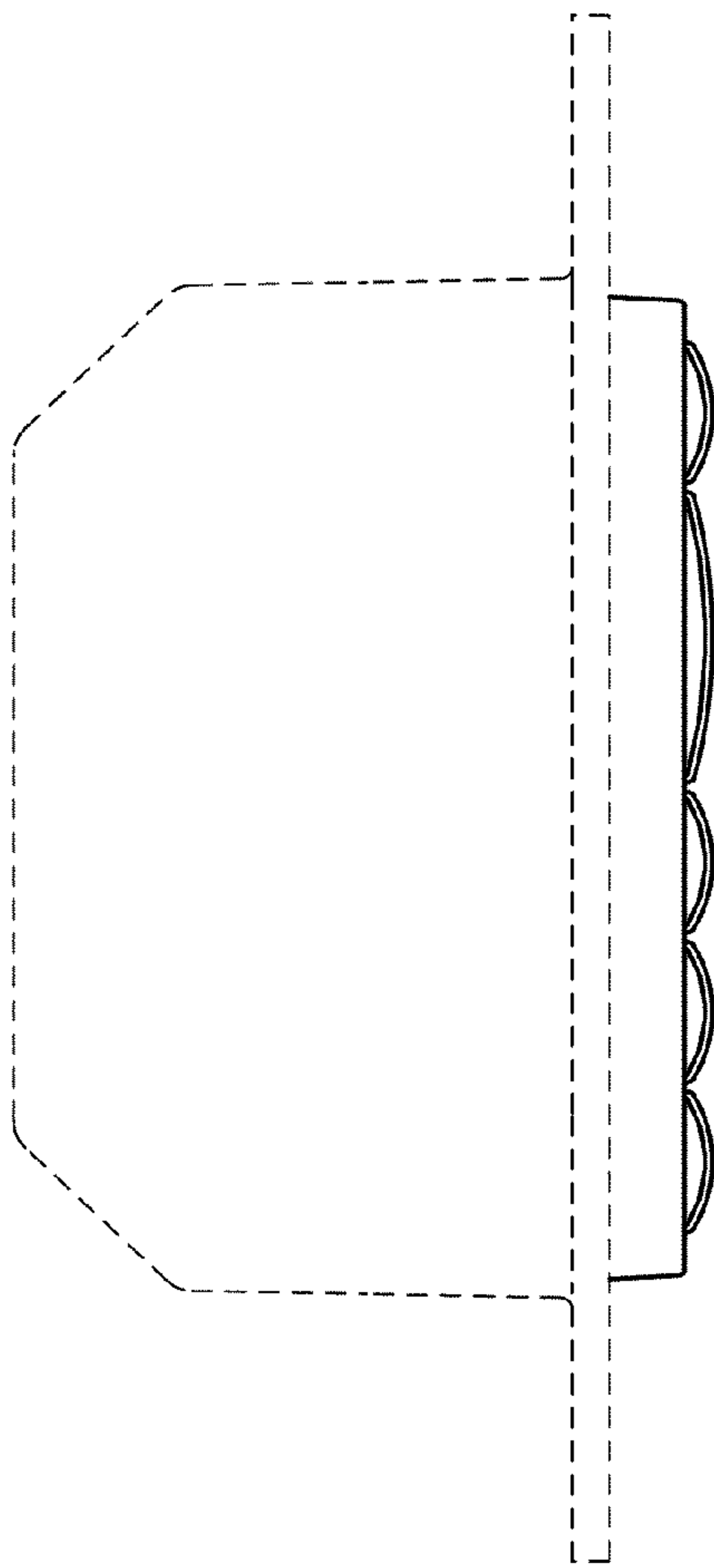


FIG. 3

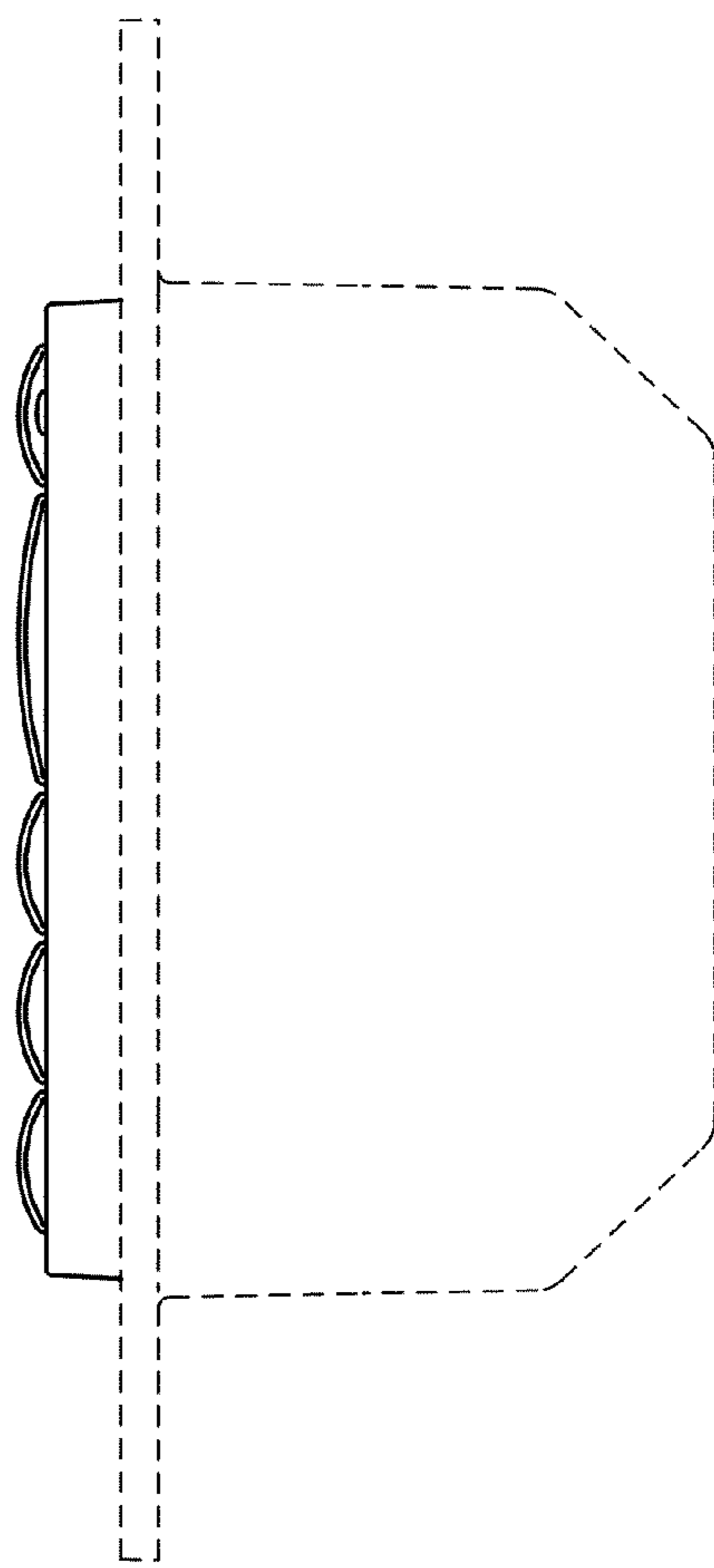


FIG. 4

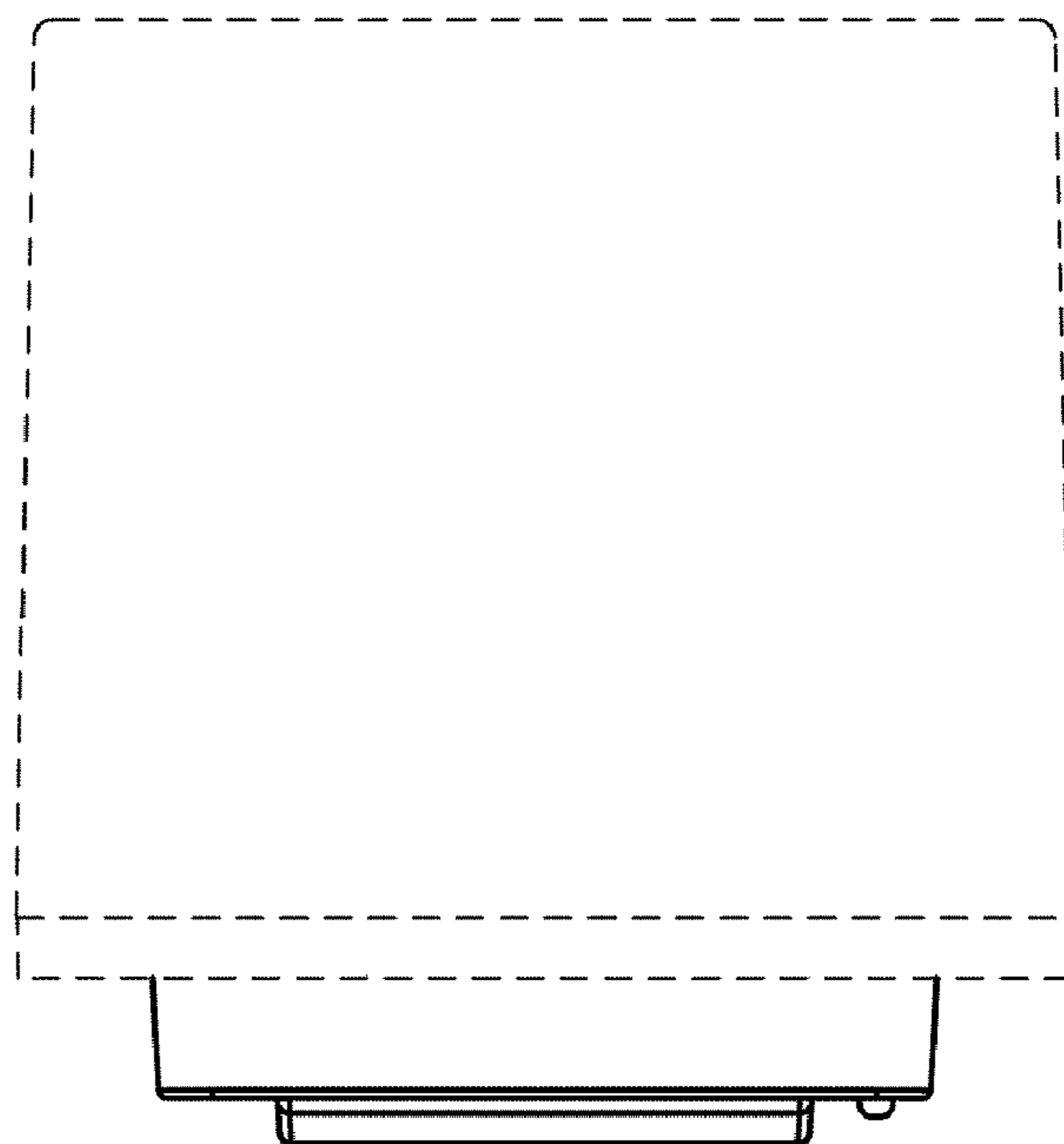


FIG. 5

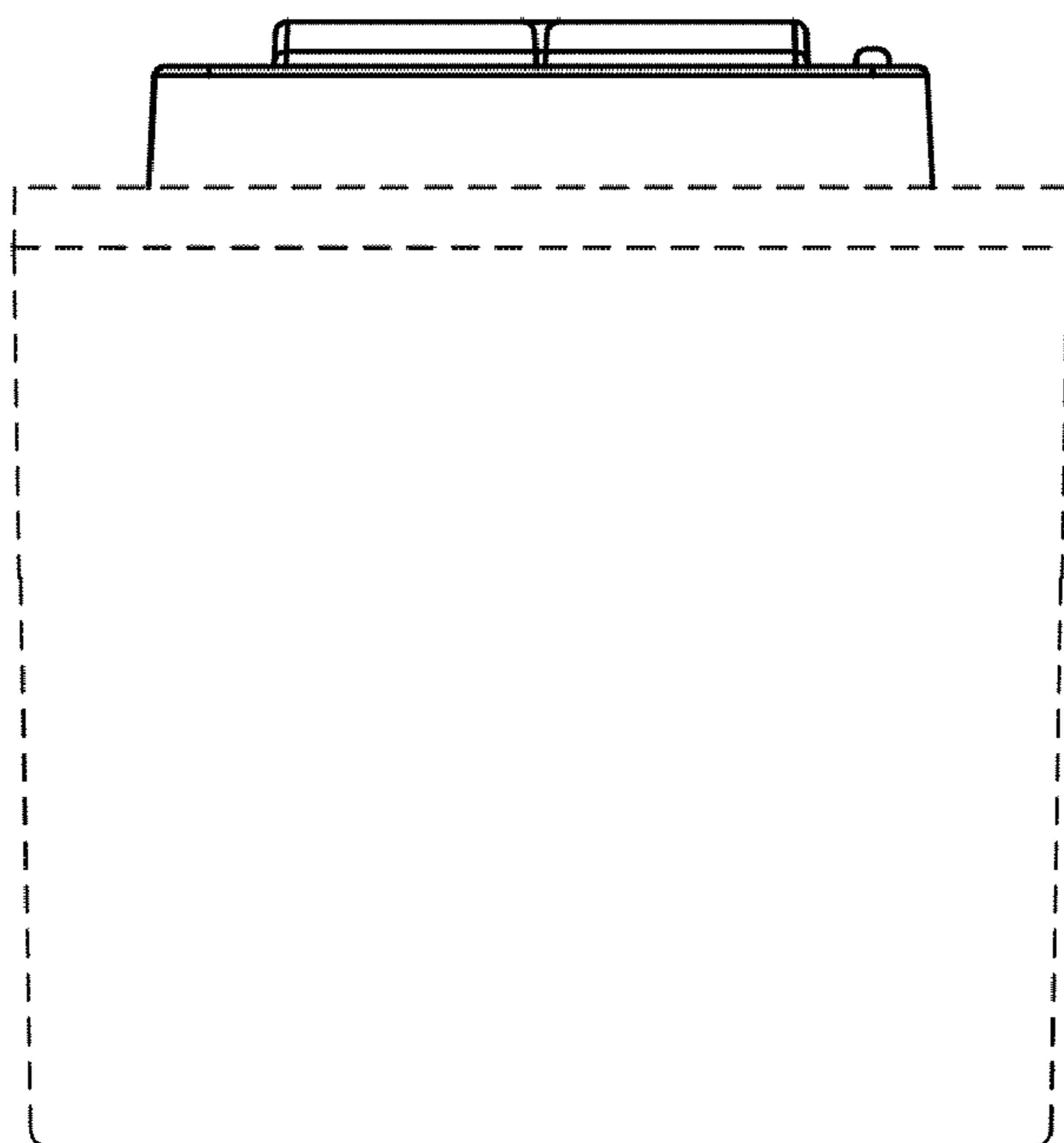


FIG. 6