

US00D651985S

(12) **United States Design Patent**
Feldstein et al.

(10) **Patent No.:** **US D651,985 S**
(45) **Date of Patent:** **** Jan. 10, 2012**

(54) **WALL MOUNTED BUTTON PANEL WITH SPLIT BUTTONS**

(75) Inventors: **George Feldstein**, Cresskill, NJ (US);
Stan Wisniewski, Pompton Plains, NJ (US)

(73) Assignee: **Crestron Electronics Inc.**, Rockleigh, NJ (US)

(**) Term: **14 Years**

(21) Appl. No.: **29/385,142**

(22) Filed: **Feb. 9, 2011**

Related U.S. Application Data

(63) Continuation-in-part of application No. 29/354,992, filed on Feb. 1, 2010.

(51) **LOC (9) Cl.** **13-03**

(52) **U.S. Cl.** **D13/164; D13/171**

(58) **Field of Classification Search** D13/162, D13/164, 171, 174; 200/5 R, 5 A, 520, 530, 200/293, 296, 302.2, 308, 310, 314, 329, 200/341; 307/139, 157; 315/209 R, 224, 315/246, 291, 294, 295

See application file for complete search history.

(56) **References Cited**

U.S. PATENT DOCUMENTS

4,529,951 A	7/1985	Youichi
D285,066 S	8/1986	Liss et al.
D287,242 S	12/1986	Liss et al.
4,716,357 A	12/1987	Cooper
4,728,866 A	3/1988	Capewell
4,876,498 A	10/1989	Luchaco
4,888,494 A	12/1989	McNair et al.
4,954,768 A	9/1990	Luchaco et al.
D311,382 S	10/1990	Mayo et al.
D311,485 S	10/1990	Jacoby et al.
D311,678 S	10/1990	Graef et al.
D313,738 S	1/1991	Mayo et al.

D319,429 S	8/1991	D'Aleo et al.
D327,255 S	6/1992	D'Aleo et al.
D331,741 S *	12/1992	Fujiyoshi D13/169
D331,742 S *	12/1992	Fujiyoshi D13/169
D331,743 S *	12/1992	Fujiyoshi D13/169
D336,744 S	6/1993	Kahn et al.
5,260,669 A	11/1993	Higgins et al.
D344,264 S	2/1994	D'Aleo et al.

(Continued)

OTHER PUBLICATIONS

Crestron Electronics, Inc., Cameo Keypads Operations and Installation Guide, Feb. 2006, pp. front, cover, i, 1-8, rear cover.

Primary Examiner — Selina Sikder

(57) **CLAIM**

The ornamental design for a wall mounted button panel with split buttons, as shown and described.

DESCRIPTION

FIG. 1 shows a front elevational view of a wall mounted button panel with split buttons, with elements in dashed lines forming no part of the claimed design.

FIG. 2 shows an isometric projection of the wall mounted button panel with split buttons, with elements in dashed lines forming no part of the claimed design.

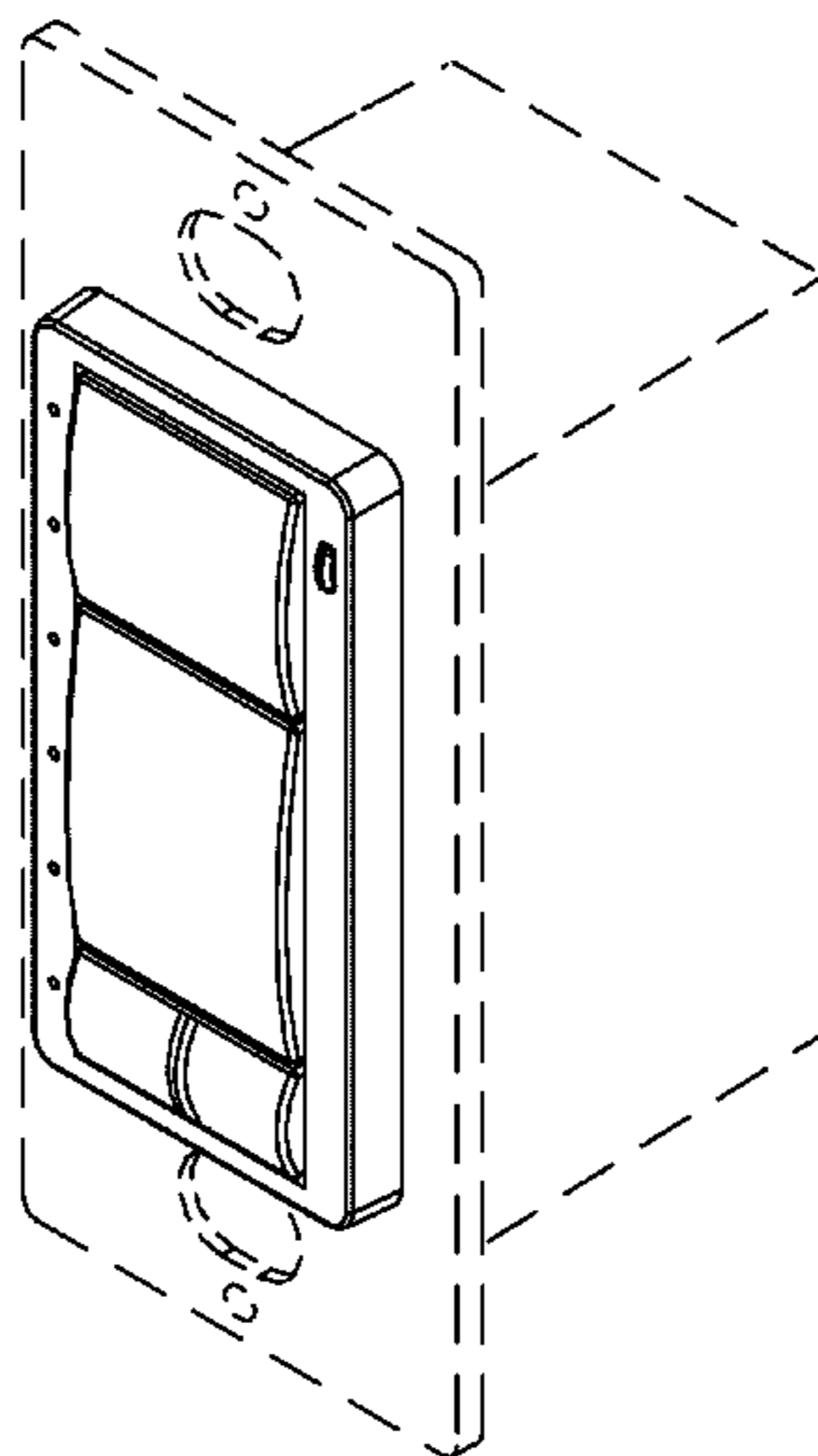
FIG. 3 shows a left side elevational view of the wall mounted button panel with split buttons, with elements in dashed lines forming no part of the claimed design.

FIG. 4 shows a right side elevational view of the wall mounted button panel with split buttons, with elements in dashed lines forming no part of the claimed design.

FIG. 5 shows a top plan view of the wall mounted button panel with split buttons, with elements in dashed lines forming no part of the claimed design; and,

FIG. 6 shows a bottom plan view of the wall mounted button panel with split buttons, with elements in dashed lines forming no part of the claimed design.

1 Claim, 4 Drawing Sheets



US D651,985 S

U.S. PATENT DOCUMENTS					
5,289,043	A	2/1994 Marshall et al.	D551,177	S	9/2007 Larson et al.
5,293,308	A	3/1994 Boys et al.	D551,178	S	9/2007 Mayo et al.
D353,798	S	12/1994 Bryde .	D551,179	S	9/2007 Mayo et al.
5,399,926	A	3/1995 Adams et al.	D551,630	S	9/2007 Larson et al.
5,430,356	A	7/1995 Ference	D551,631	S	9/2007 Mayo et al.
5,463,286	A	10/1995 D'Aleo et al.	D552,042	S	10/2007 Mayo et al.
5,485,058	A *	1/1996 Watson et al. 315/194	D557,662	S	12/2007 Spira
5,608,196	A	3/1997 Hall	D557,664	S	12/2007 Hewson et al.
5,670,858	A	9/1997 Heath	D557,665	S	12/2007 Hewson et al.
D389,461	S	1/1998 Mayo et al.	D572,664	S	7/2008 Hollner et al.
D389,805	S	1/1998 Mayo et al.	D572,665	S	7/2008 Hollner et al.
D395,037	S	6/1998 Mayo et al.	D572,666	S	7/2008 Biery et al.
D404,013	S	1/1999 Mayo et al.	D573,546	S	7/2008 Hollner
5,903,139	A	5/1999 Kompelien	D573,956	S	7/2008 Hollner et al.
D412,315	S	7/1999 Mayo et al.	D574,787	S	8/2008 Hollner
D421,246	S	2/2000 Mayo et al.	D576,958	S	9/2008 Hollner
D422,567	S	4/2000 Mayo	D580,881	S	11/2008 Hollner
6,091,205	A	7/2000 Newman, Jr. et al.	D580,882	S	11/2008 Hollner
D428,855	S	8/2000 Mayo et al.	D580,883	S	11/2008 Hollner
6,120,262	A	9/2000 McDonough et al.	D580,884	S	11/2008 Hollner
D436,930	S	1/2001 Butler	D585,840	S	2/2009 Hollner
D437,585	S	2/2001 Mayo	D585,841	S	2/2009 Hollner
D437,834	S	2/2001 Mayo et al.	D586,760	S	2/2009 Hollner et al.
6,218,787	B1	4/2001 Murcko et al.	D588,070	S	3/2009 Hollner et al.
D441,723	S	5/2001 Mayo et al.	D588,071	S	3/2009 Hollner et al.
D442,558	S	5/2001 Mayo et al.	D588,072	S	3/2009 Hollner et al.
D450,043	S	11/2001 Mosebrook	D588,073	S	3/2009 Hollner et al.
D453,742	S	2/2002 Butler	D588,074	S	3/2009 Hollner
6,356,038	B2	3/2002 Bishel	D588,075	S	3/2009 Hollner
6,380,696	B1 *	4/2002 Sembhi et al. 315/294	D588,553	S	3/2009 Hollner et al.
D456,783	S	5/2002 Mayo et al.	D595,663	S	7/2009 Hollner
D461,782	S	8/2002 Butler et al.	D595,665	S	7/2009 Hollner
D465,460	S	11/2002 Mayo	D595,666	S	7/2009 Hollner
D466,090	S	11/2002 Bennett	D596,140	S	7/2009 Hollner
D466,091	S	11/2002 Bennett	7,609,007	B1	10/2009 Kumar
D466,484	S	12/2002 Bennett	D604,743	S	11/2009 Altonen et al.
6,545,434	B2	4/2003 Sembhi et al.	D612,400	S	3/2010 Altonen et al.
D475,024	S	5/2003 Bennett	D613,305	S	4/2010 Altonen et al.
D475,025	S	5/2003 Bennett	7,796,057	B2 *	9/2010 Swatsky et al. 341/23
D490,061	S	5/2004 Bennett	D624,881	S	10/2010 Altonen et al.
D510,074	S	9/2005 Larson et al.	D624,882	S	10/2010 Altonen et al.
6,969,959	B2	11/2005 Black et al.	D625,273	S *	10/2010 Felegy et al. D13/168
D516,041	S	2/2006 Hobart et al.	D633,448	S	3/2011 Biery et al.
D519,939	S *	5/2006 Hedderich et al. D13/164	D636,738	S *	4/2011 Feldstein et al. D13/164
D535,950	S	1/2007 Alker et al.	7,928,663	B1	4/2011 Kumar
D538,238	S	3/2007 Alker et al.	2002/0060530	A1	5/2002 Sembhi
D539,758	S	4/2007 Blair et al.	2002/0067144	A1 *	6/2002 Hoffknecht et al. 315/291
D542,226	S	5/2007 Spira	2005/0275354	A1	12/2005 Hausman et al.
D542,227	S	5/2007 Larson et al.	2005/0284738	A1	12/2005 Altonen
D542,229	S	5/2007 Larson et al.	2006/0255745	A1	11/2006 DeJonge
D543,158	S *	5/2007 Blair et al. D13/162	2007/0001654	A1	1/2007 Newman
D546,294	S	7/2007 Mayo et al.	2007/0285027	A1	12/2007 Gehman
D546,776	S	7/2007 Mierta et al.	2008/0024074	A1	1/2008 Mosebrook
D547,733	S	7/2007 Mayo et al.	2008/0111501	A1	5/2008 Dobbins et al.
D547,734	S	7/2007 Mayo et al.	2008/0237010	A1	10/2008 Patel et al.
D550,163	S	9/2007 Mayo et al.	2009/0039854	A1	2/2009 Blakely
D550,164	S	9/2007 Mayo et al.	2009/0108765	A1	4/2009 Weightman et al.
D550,165	S	9/2007 Mayo et al.	2010/0214756	A1	8/2010 Feldstein
D550,166	S	9/2007 Mayo et al.			

* cited by examiner

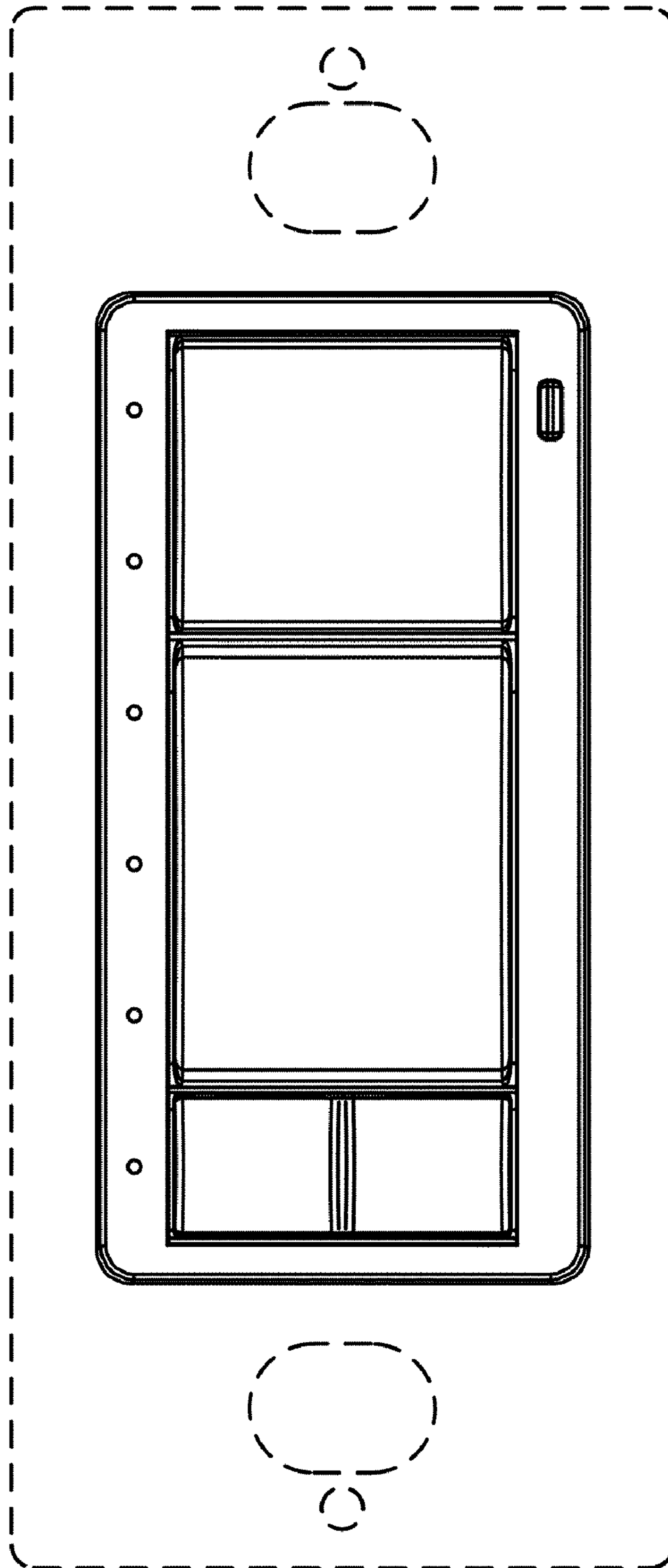


FIG. 1

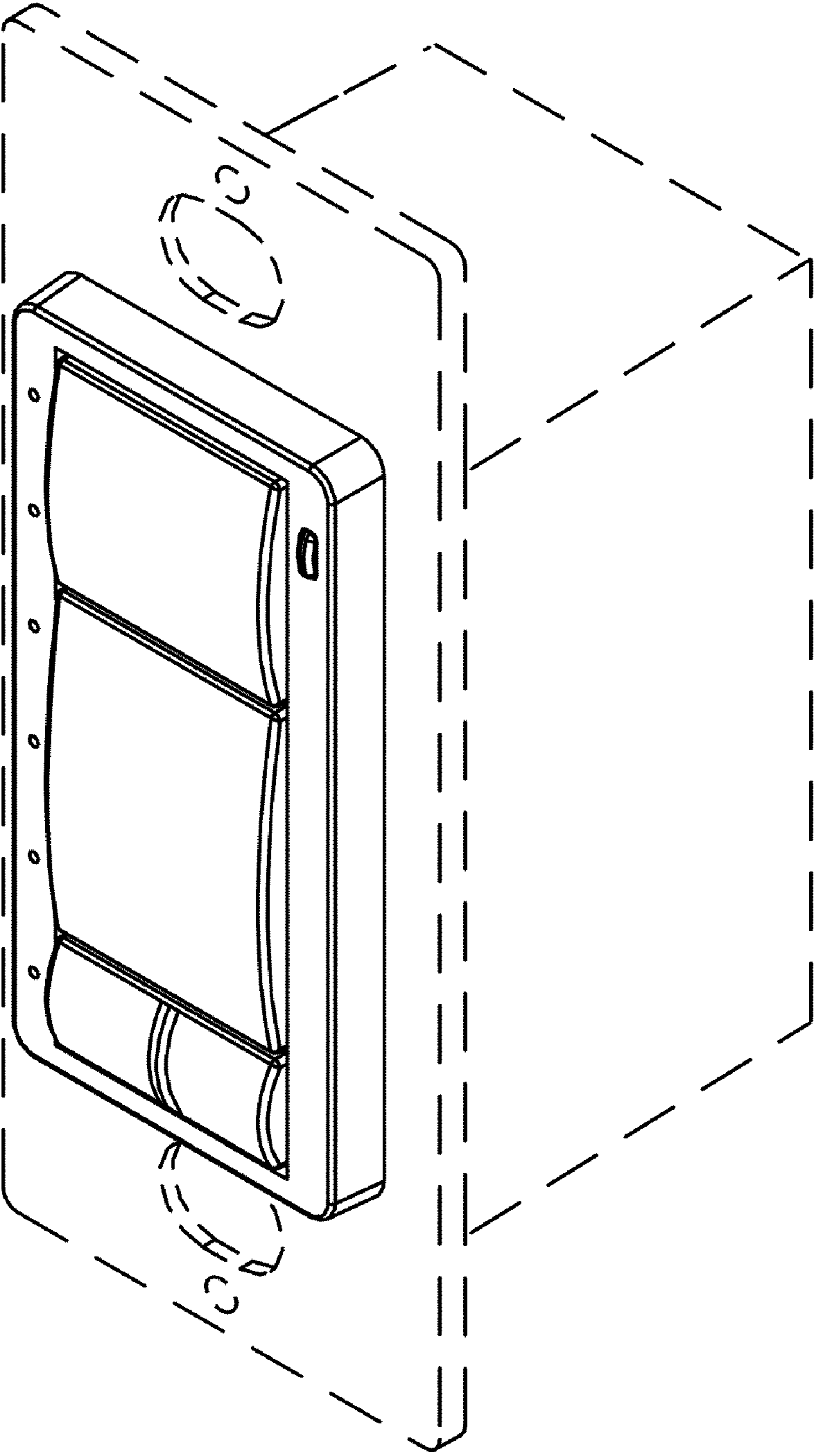


FIG. 2

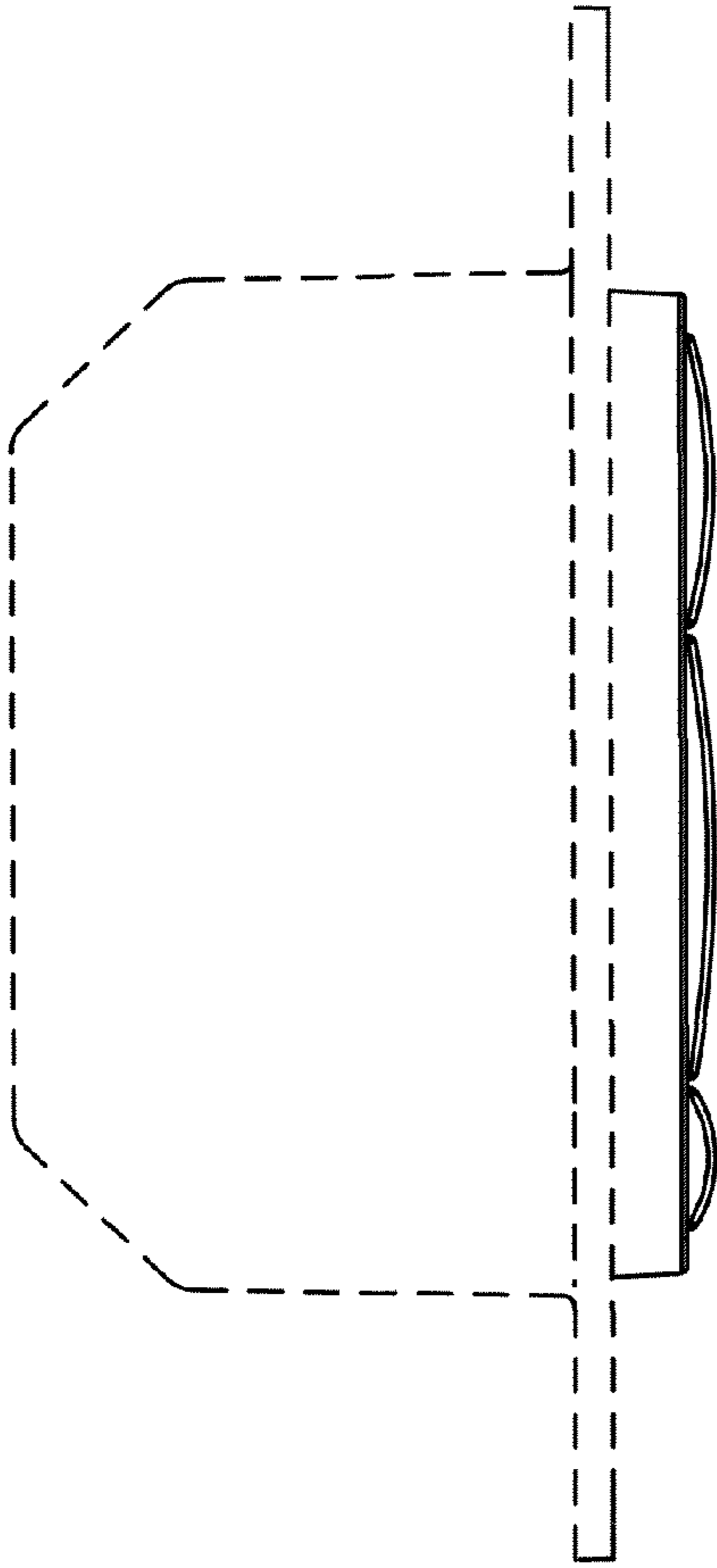


FIG. 3

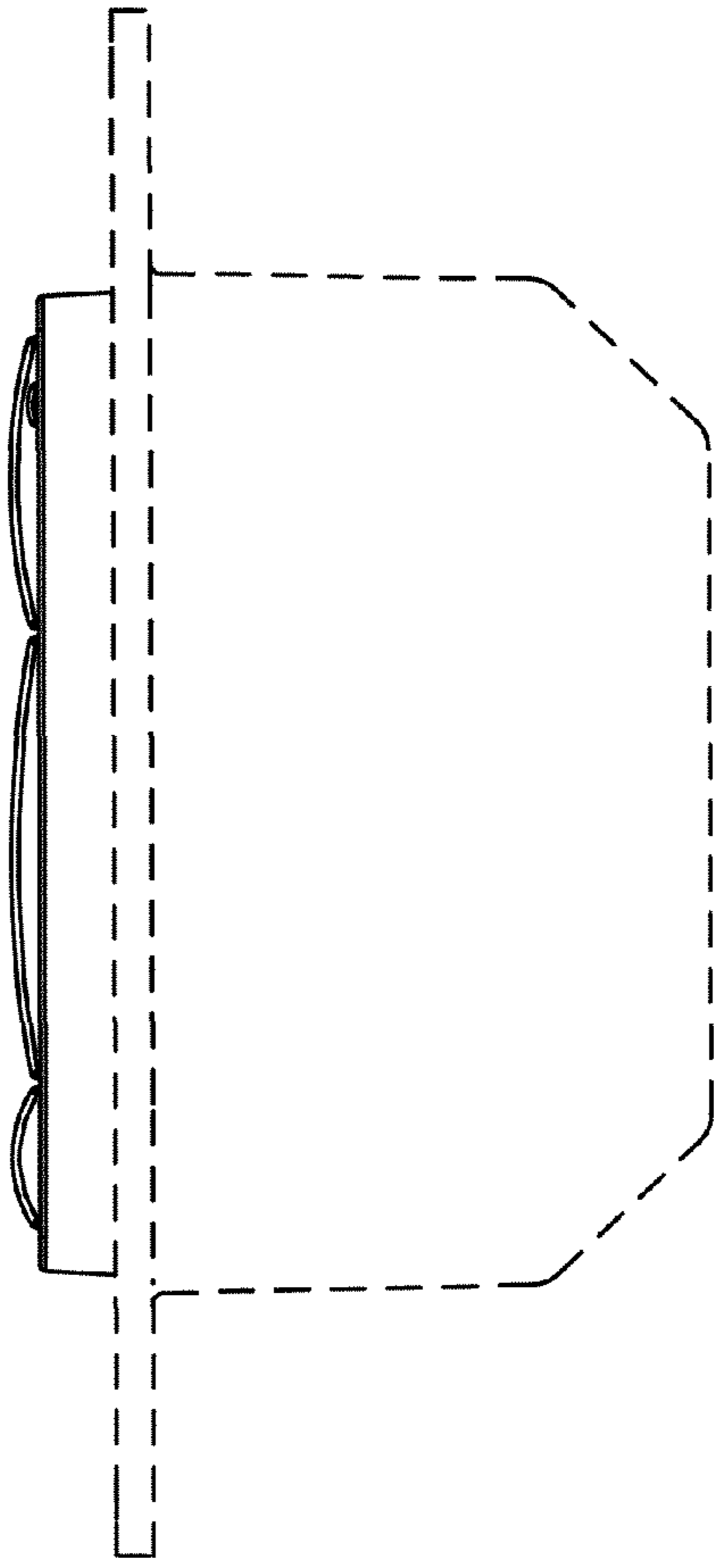


FIG. 4

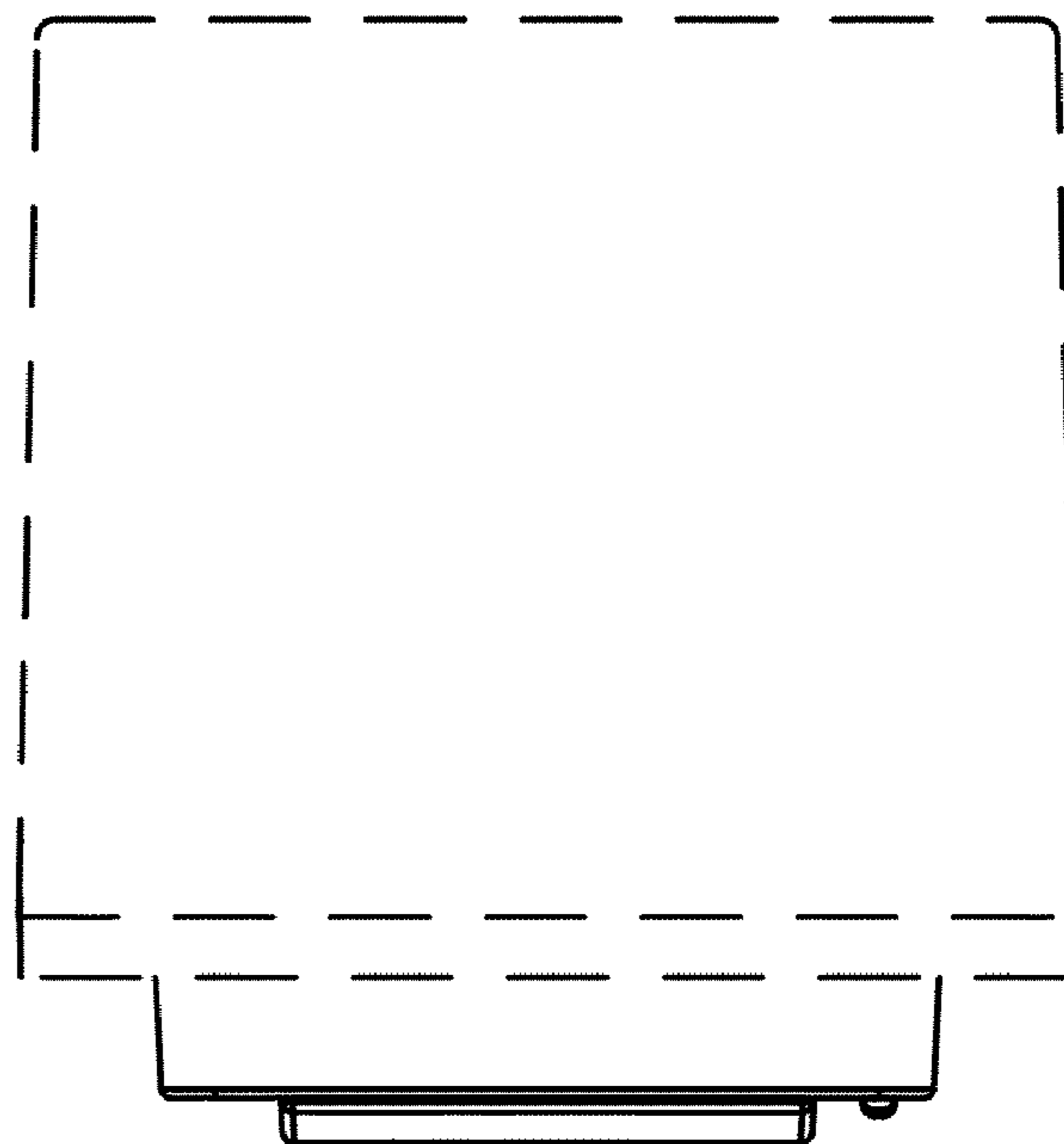


FIG. 5

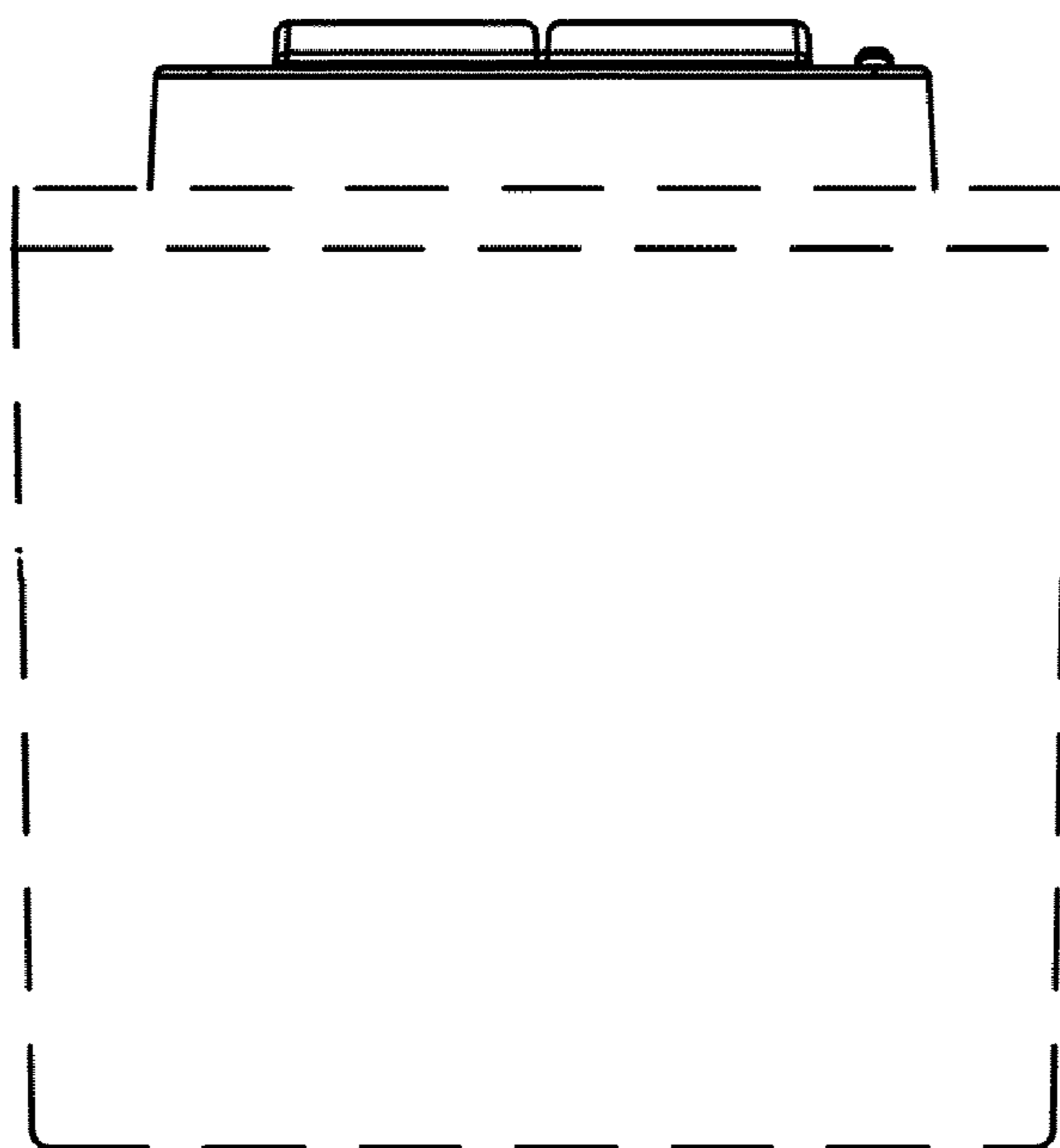


FIG. 6