



US00D651983S

(12) **United States Design Patent**
Feldstein et al.

(10) **Patent No.:** **US D651,983 S**
(45) **Date of Patent:** **** *Jan. 10, 2012**

- (54) **WALL MOUNTED BUTTON PANEL**
- (75) Inventors: **George Feldstein**, Cresskill, NJ (US);
Stan Wisniewski, Pompton Plains, NJ (US)
- (73) Assignee: **Creston Electronics Inc.**, Rockleigh, NJ (US)

- D311,485 S 10/1990 Jacoby et al.
- D311,678 S 10/1990 Graef et al.
- D313,738 S 1/1991 Mayo et al.
- D319,429 S 8/1991 D'Aleo et al.
- D327,255 S 6/1992 D'Aleo et al.
- D331,741 S * 12/1992 Fujiyoshi D13/169
- D331,742 S * 12/1992 Fujiyoshi D13/169
- D331,743 S * 12/1992 Fujiyoshi D13/169
- D336,744 S 6/1993 Kahn et al.

(Continued)

(*) Notice: This patent is subject to a terminal disclaimer.

(**) Term: **14 Years**

(21) Appl. No.: **29/385,128**

(22) Filed: **Feb. 9, 2011**

Related U.S. Application Data

(63) Continuation-in-part of application No. 29/354,992, filed on Feb. 1, 2010.

(51) **LOC (9) Cl.** **13-03**

(52) **U.S. Cl.** **D13/164; D13/171**

(58) **Field of Classification Search** D13/162, D13/164, 171, 174; 200/5 R, 5 A, 520, 530, 200/293, 296, 302.2, 308, 310, 314, 329, 200/341; 307/139, 157; 315/209 R, 224, 315/246, 291, 294, 295

See application file for complete search history.

(56) **References Cited**

U.S. PATENT DOCUMENTS

- 4,529,951 A 7/1985 Youichi
- D285,066 S 8/1986 Liss et al.
- D287,242 S 12/1986 Liss et al.
- 4,716,357 A 12/1987 Cooper
- 4,728,866 A 3/1988 Capewell
- 4,876,498 A 10/1989 Luchaco
- 4,888,494 A 12/1989 McNair et al.
- 4,954,768 A 9/1990 Luchaco et al.
- D311,382 S 10/1990 Mayo et al.

OTHER PUBLICATIONS

Creston Electronics, Inc., Cameo Keypads Operations and Installation Guide, Feb. 2006, pp. front, cover, i, 1-8, rear cover.

Primary Examiner — Selina Sikder

(57) **CLAIM**

The ornamental design for a wall mounted button panel, as shown and described.

DESCRIPTION

FIG. 1 shows a front elevational view of a wall mounted button panel, with elements in dashed lines forming no part of the claimed design.

FIG. 2 shows an isometric projection of the wall mounted button panel, with elements in dashed lines forming no part of the claimed design.

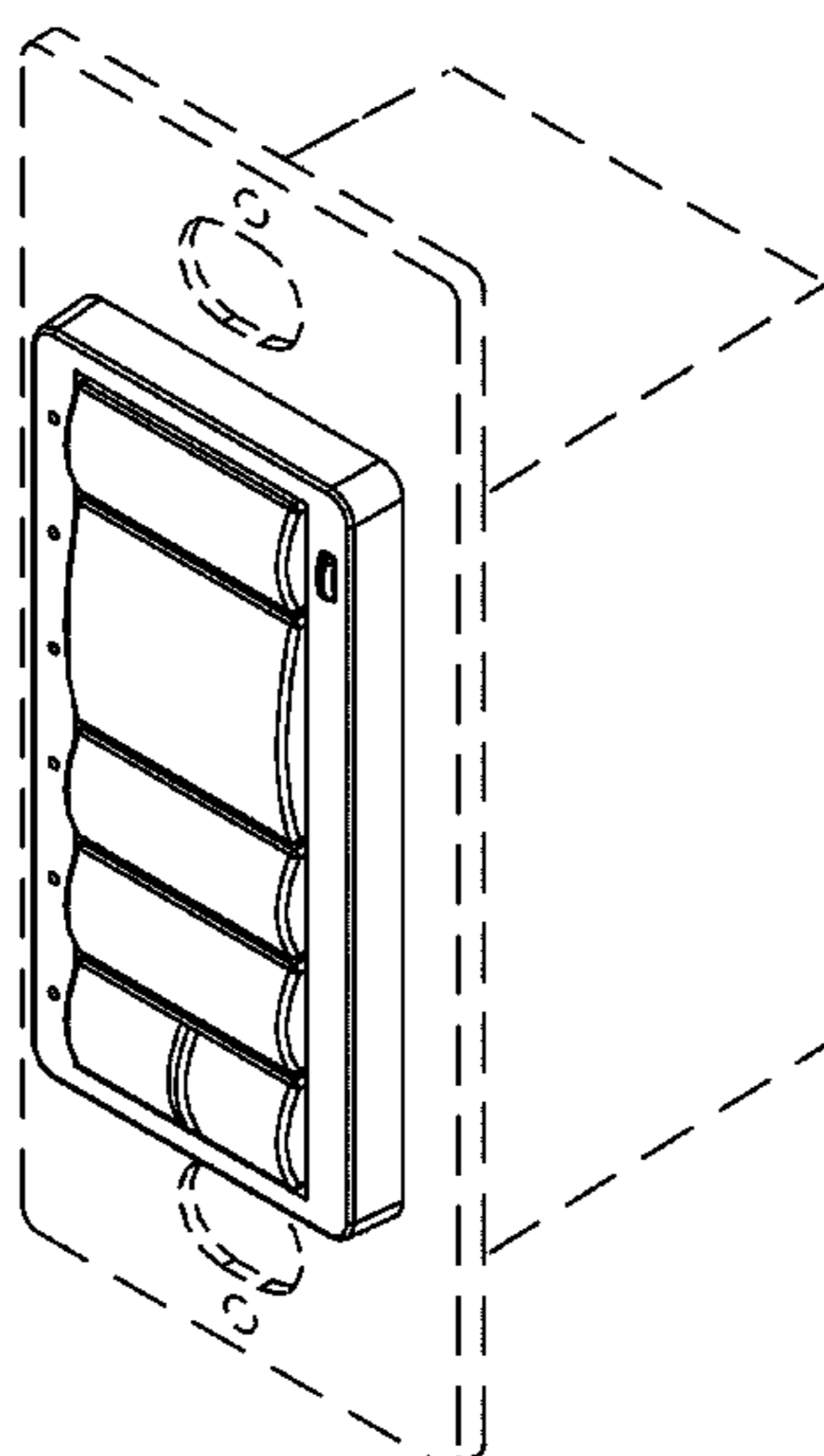
FIG. 3 shows a left side elevational view of the wall mounted button panel, with elements in dashed lines forming no part of the claimed design.

FIG. 4 shows a right side elevational view of the wall mounted button panel, with elements in dashed lines forming no part of the claimed design.

FIG. 5 shows a top plan view of the wall mounted button panel, with elements in dashed lines forming no part of the claimed design; and,

FIG. 6 shows a bottom plan view of the wall mounted button panel, with elements in dashed lines forming no part of the claimed design.

1 Claim, 4 Drawing Sheets



US D651,983 S

| U.S. PATENT DOCUMENTS | | | | | | | |
|-----------------------|------|---------|-------------------------------|--------------|------|---------|--------------------------------|
| 5,260,669 | A | 11/1993 | Higgins et al. | D550,166 | S | 9/2007 | Mayo et al. |
| D344,264 | S | 2/1994 | D'Aleo et al. | D551,177 | S | 9/2007 | Larson et al. |
| 5,289,043 | A | 2/1994 | Marshall et al. | D551,178 | S | 9/2007 | Mayo et al. |
| 5,293,308 | A | 3/1994 | Boys et al. | D551,179 | S | 9/2007 | Mayo et al. |
| D353,798 | S | 12/1994 | Bryde | D551,630 | S | 9/2007 | Larson et al. |
| 5,399,926 | A | 3/1995 | Adams et al. | D551,631 | S | 9/2007 | Mayo et al. |
| 5,430,356 | A | 7/1995 | Ference | D552,042 | S | 10/2007 | Mayo et al. |
| 5,463,286 | A | 10/1995 | D'Aleo et al. | D557,662 | S | 12/2007 | Spira et al. |
| 5,485,058 | A * | 1/1996 | Watson et al. 315/194 | D557,664 | S | 12/2007 | Hewson et al. |
| 5,608,196 | A | 3/1997 | Hall | D557,665 | S | 12/2007 | Hewson et al. |
| 5,670,858 | A | 9/1997 | Heath | D572,664 | S | 7/2008 | Hollner et al. |
| D389,461 | S | 1/1998 | Mayo et al. | D572,665 | S | 7/2008 | Hollner et al. |
| D389,805 | S | 1/1998 | Mayo et al. | D572,666 | S | 7/2008 | Biery et al. |
| D395,037 | S | 6/1998 | Mayo et al. | D573,546 | S | 7/2008 | Hollner |
| D404,013 | S | 1/1999 | Mayo et al. | D573,956 | S | 7/2008 | Hollner et al. |
| 5,903,139 | A | 5/1999 | Kompelien | D574,787 | S | 8/2008 | Hollner |
| D412,315 | S | 7/1999 | Mayo et al. | D576,958 | S | 9/2008 | Hollner |
| D421,246 | S | 2/2000 | Mayo et al. | D580,881 | S | 11/2008 | Hollner |
| D422,567 | S | 4/2000 | Mayo | D580,882 | S | 11/2008 | Hollner |
| 6,091,205 | A | 7/2000 | Newman, Jr. et al. | D580,883 | S | 11/2008 | Hollner |
| D428,855 | S | 8/2000 | Mayo et al. | D580,884 | S | 11/2008 | Hollner |
| 6,120,262 | A | 9/2000 | McDonough et al. | D585,840 | S | 2/2009 | Hollner |
| D436,930 | S | 1/2001 | Butler | D585,841 | S | 2/2009 | Hollner |
| D437,585 | S | 2/2001 | Mayo | D586,760 | S | 2/2009 | Hollner et al. |
| D437,834 | S | 2/2001 | Mayo et al. | D588,070 | S | 3/2009 | Hollner et al. |
| 6,218,787 | B1 | 4/2001 | Murcko et al. | D588,071 | S | 3/2009 | Hollner et al. |
| D441,723 | S | 5/2001 | Mayo et al. | D588,072 | S | 3/2009 | Hollner et al. |
| D442,558 | S | 5/2001 | Mayo et al. | D588,073 | S | 3/2009 | Hollner et al. |
| D450,043 | S | 11/2001 | Mosebrook | D588,074 | S | 3/2009 | Hollner |
| D453,742 | S | 2/2002 | Butler | D588,075 | S | 3/2009 | Hollner |
| 6,356,038 | B2 | 3/2002 | Bishel | D588,553 | S | 3/2009 | Hollner et al. |
| 6,380,696 | B1 * | 4/2002 | Sembhi et al. 315/294 | D595,663 | S | 7/2009 | Hollner |
| D456,783 | S | 5/2002 | Mayo et al. | D595,665 | S | 7/2009 | Hollner |
| D461,782 | S | 8/2002 | Butler et al. | D595,666 | S | 7/2009 | Hollner |
| D465,460 | S | 11/2002 | Mayo | D596,140 | S | 7/2009 | Hollner |
| D466,090 | S | 11/2002 | Bennett | 7,609,007 | B1 | 10/2009 | Kumar |
| D466,091 | S | 11/2002 | Bennett | D604,743 | S | 11/2009 | Altonen et al. |
| D466,484 | S | 12/2002 | Bennett | D612,400 | S | 3/2010 | Altonen et al. |
| 6,545,434 | B2 | 4/2003 | Sembhi et al. | D613,305 | S | 4/2010 | Altonen et al. |
| D475,024 | S | 5/2003 | Bennett | 7,796,057 | B2 * | 9/2010 | Swatsky et al. 341/23 |
| D475,025 | S | 5/2003 | Bennett | D624,881 | S | 10/2010 | Altonen et al. |
| D490,061 | S | 5/2004 | Bennett | D624,882 | S | 10/2010 | Altonen et al. |
| D510,074 | S | 9/2005 | Larson et al. | D625,273 | S * | 10/2010 | Felegy et al. D13/168 |
| 6,969,959 | B2 | 11/2005 | Black et al. | D633,448 | S | 3/2011 | Biery et al. |
| D516,041 | S | 2/2006 | Hobart et al. | D636,738 | S * | 4/2011 | Feldstein et al. D13/164 |
| D519,939 | S * | 5/2006 | Hedderich et al. D13/164 | 7,928,663 | B1 | 4/2011 | Kumar |
| D535,950 | S | 1/2007 | Alker et al. | 2002/0060530 | A1 | 5/2002 | Sembhi |
| D538,238 | S | 3/2007 | Alker et al. | 2002/0067144 | A1 * | 6/2002 | Hoffknecht et al. 315/291 |
| D539,758 | S | 4/2007 | Blair et al. | 2005/0275354 | A1 | 12/2005 | Hausman et al. |
| D542,226 | S | 5/2007 | Spira | 2005/0284738 | A1 | 12/2005 | Altonen |
| D542,227 | S | 5/2007 | Larson et al. | 2006/0255745 | A1 | 11/2006 | DeJonge |
| D542,229 | S | 5/2007 | Larson et al. | 2007/0001654 | A1 | 1/2007 | Newman |
| D543,158 | S * | 5/2007 | Blair et al. D13/162 | 2007/0285027 | A1 | 12/2007 | Gehman |
| D546,294 | S | 7/2007 | Mayo et al. | 2008/0024074 | A1 | 1/2008 | Mosebrook |
| D546,776 | S | 7/2007 | Miarta et al. | 2008/0111501 | A1 | 5/2008 | Dobbins et al. |
| D547,733 | S | 7/2007 | Mayo et al. | 2008/0237010 | A1 | 10/2008 | Patel et al. |
| D547,734 | S | 7/2007 | Mayo et al. | 2009/0039854 | A1 | 2/2009 | Blakeley |
| D550,163 | S | 9/2007 | Mayo et al. | 2009/0108765 | A1 | 4/2009 | Weightman et al. |
| D550,164 | S | 9/2007 | Mayo et al. | 2010/0214756 | A1 | 8/2010 | Feldstein |
| D550,165 | S | 9/2007 | Mayo et al. | | | | |

* cited by examiner

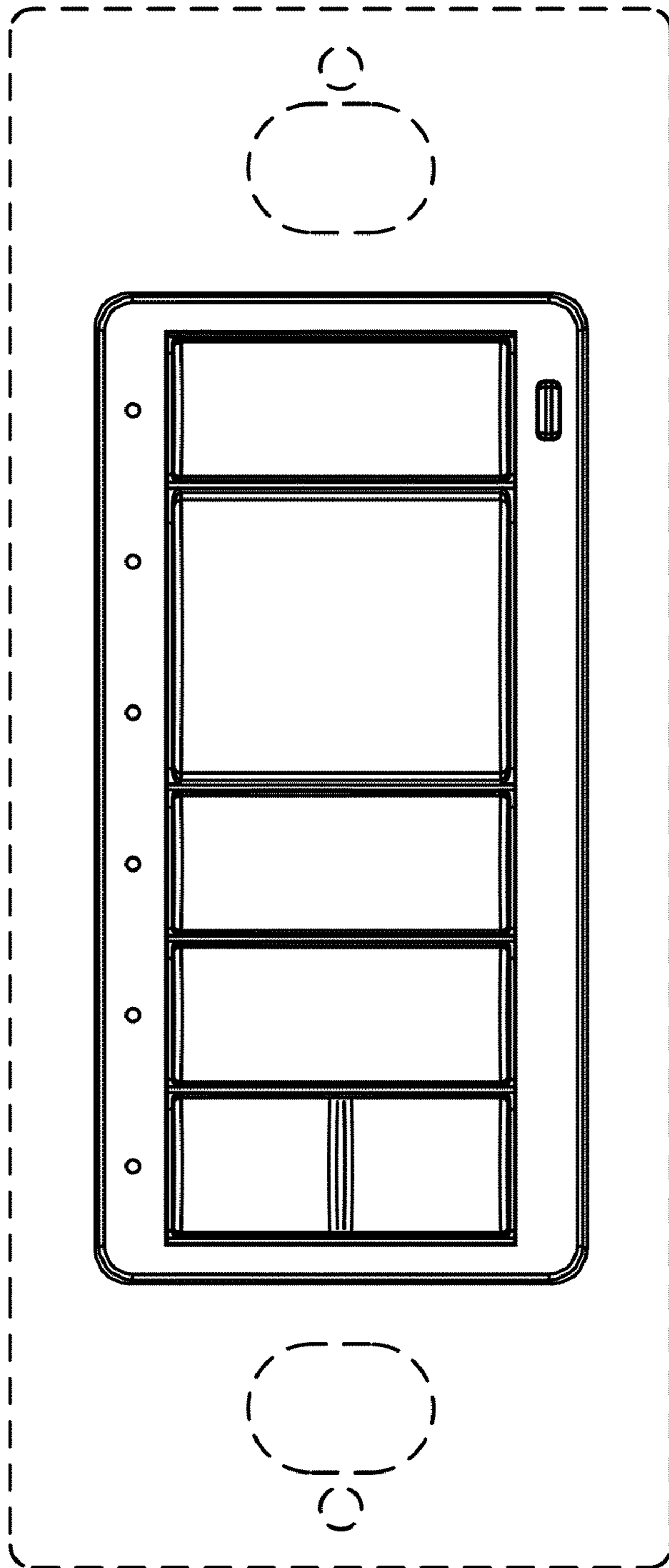


FIG. 1

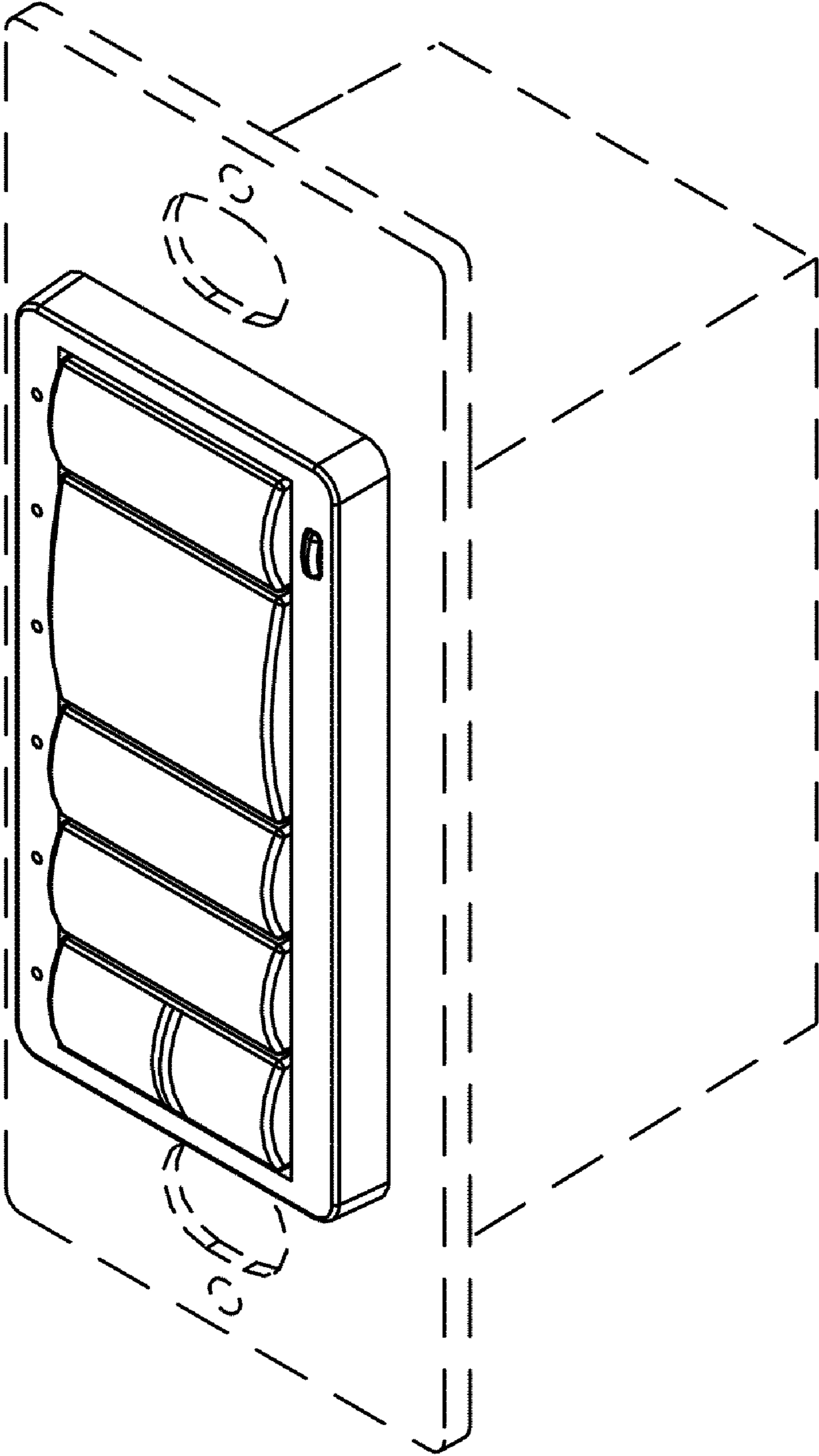


FIG. 2

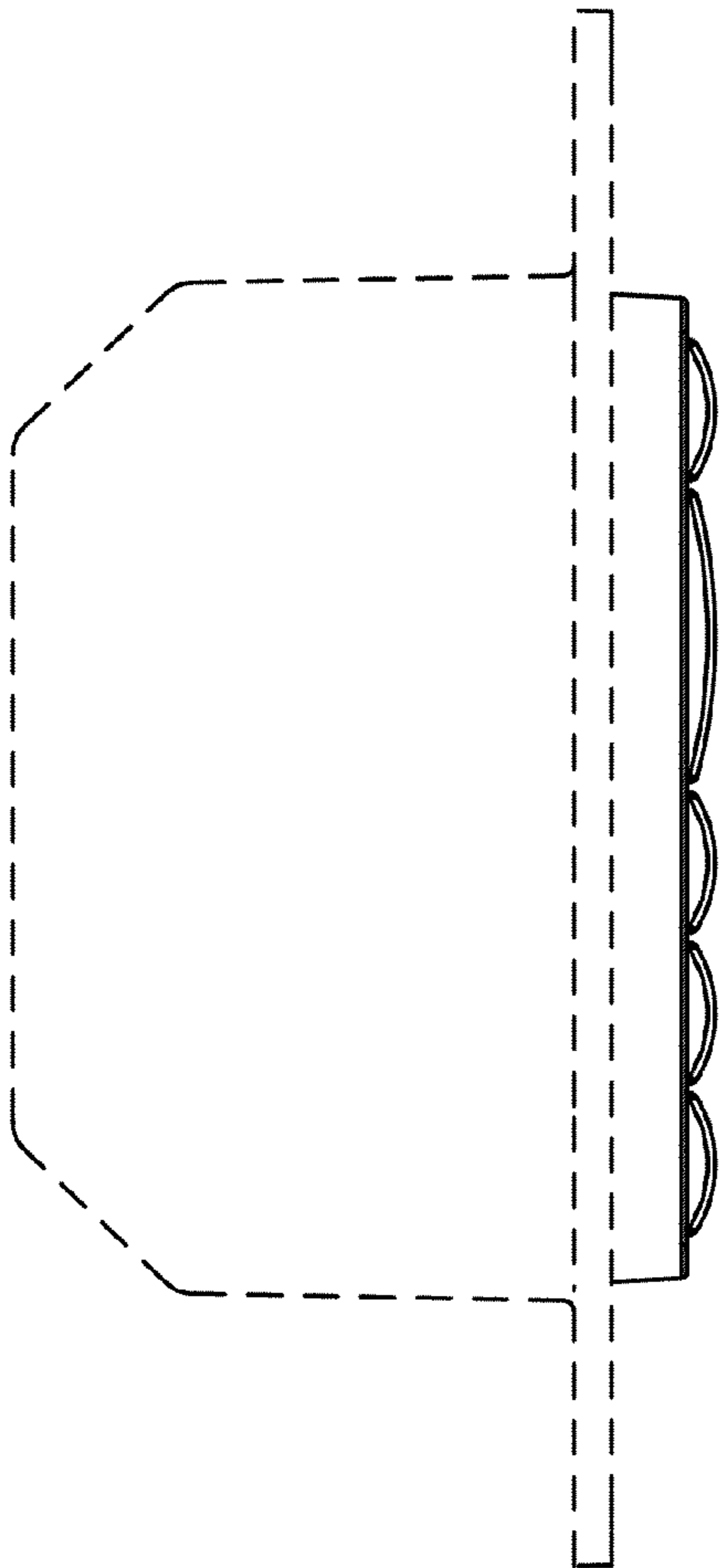


FIG. 3

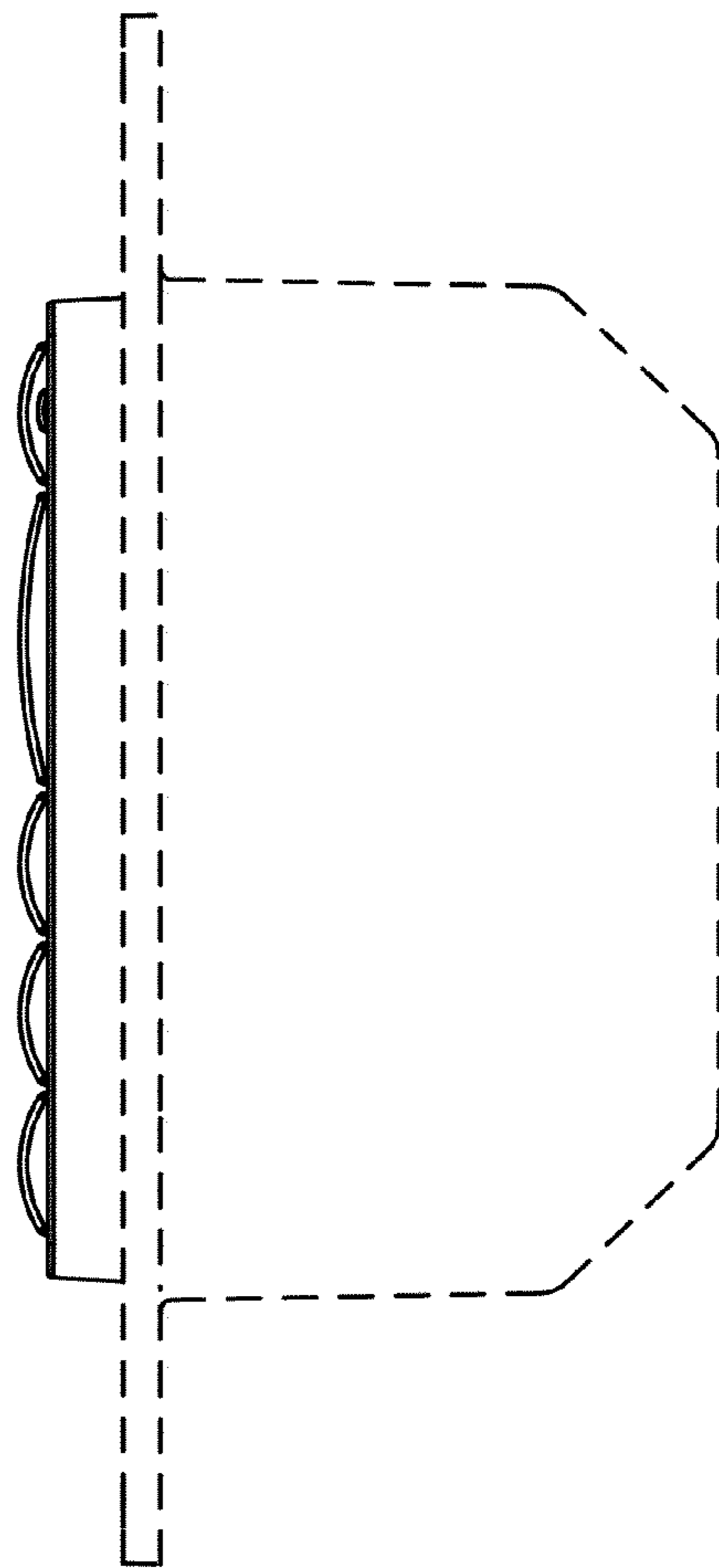


FIG. 4

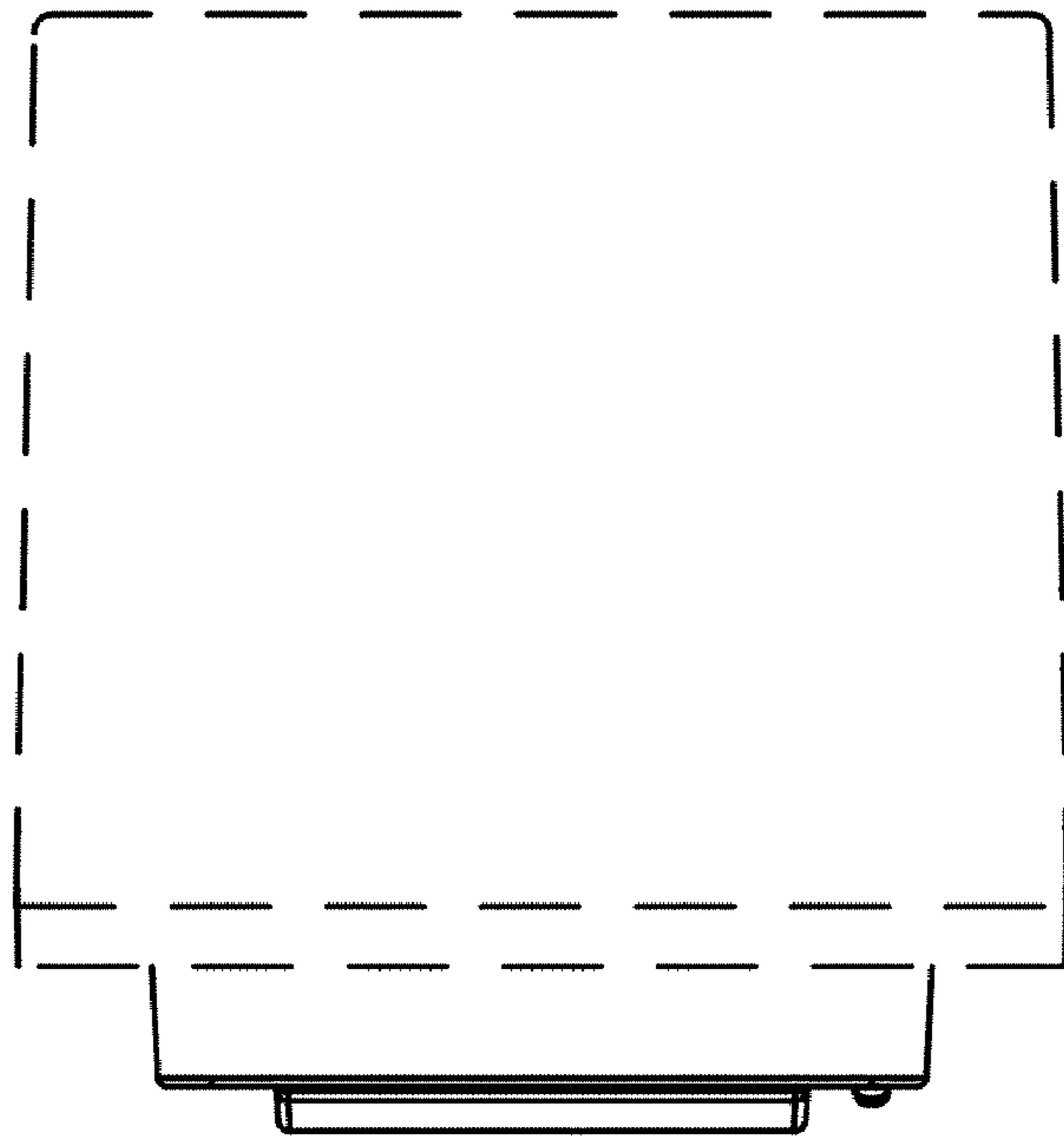


FIG. 5

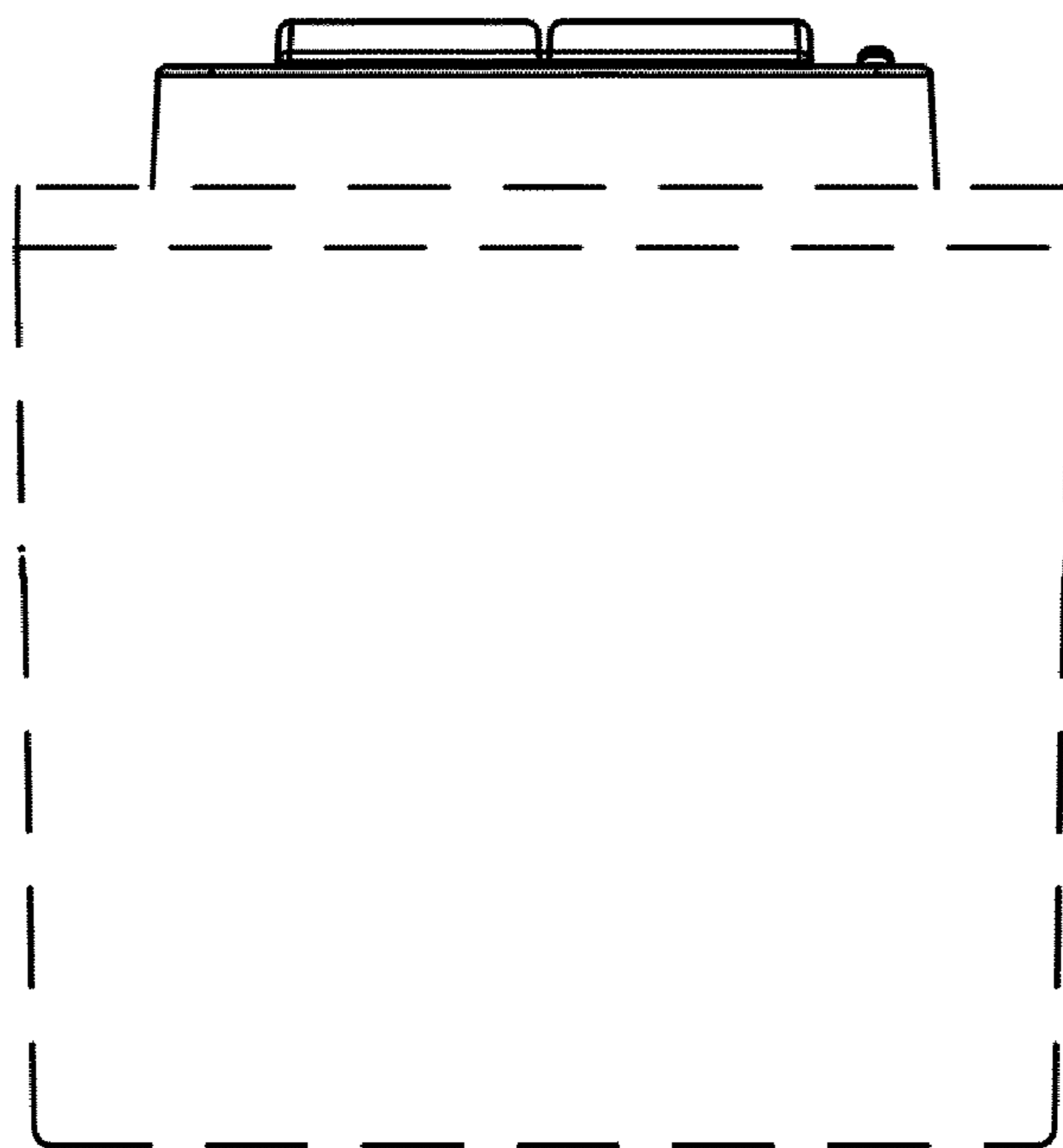


FIG. 6