



US00D651980S

(12) **United States Design Patent**
Byrne

(10) **Patent No.:** **US D651,980 S**

(45) **Date of Patent:** **** Jan. 10, 2012**

(54) **CONNECTOR KEYING ARRANGEMENT**

(76) Inventor: **Norman R. Byrne**, Ada, MI (US)

(**) Term: **14 Years**

(21) Appl. No.: **29/355,649**

(22) Filed: **Feb. 11, 2010**

(51) **LOC (9) Cl.** **13-03**

(52) **U.S. Cl.** **D13/147**

(58) **Field of Classification Search** D13/133,
D13/146-147, 154, 184; 439/345, 350, 352,
439/353, 354, 357, 358, 660, 680, 682, 752
See application file for complete search history.

(56) **References Cited**

U.S. PATENT DOCUMENTS

D399,822 S	*	10/1998	Starec et al.	D13/139.1
D463,371 S	*	9/2002	Lee et al.	D13/147
D474,746 S	*	5/2003	Rupert	D13/147
D531,959 S	*	11/2006	Kondas	D13/147
D581,366 S	*	11/2008	Knepper	D13/154

D611,913 S * 3/2010 Rupert D13/154
* cited by examiner

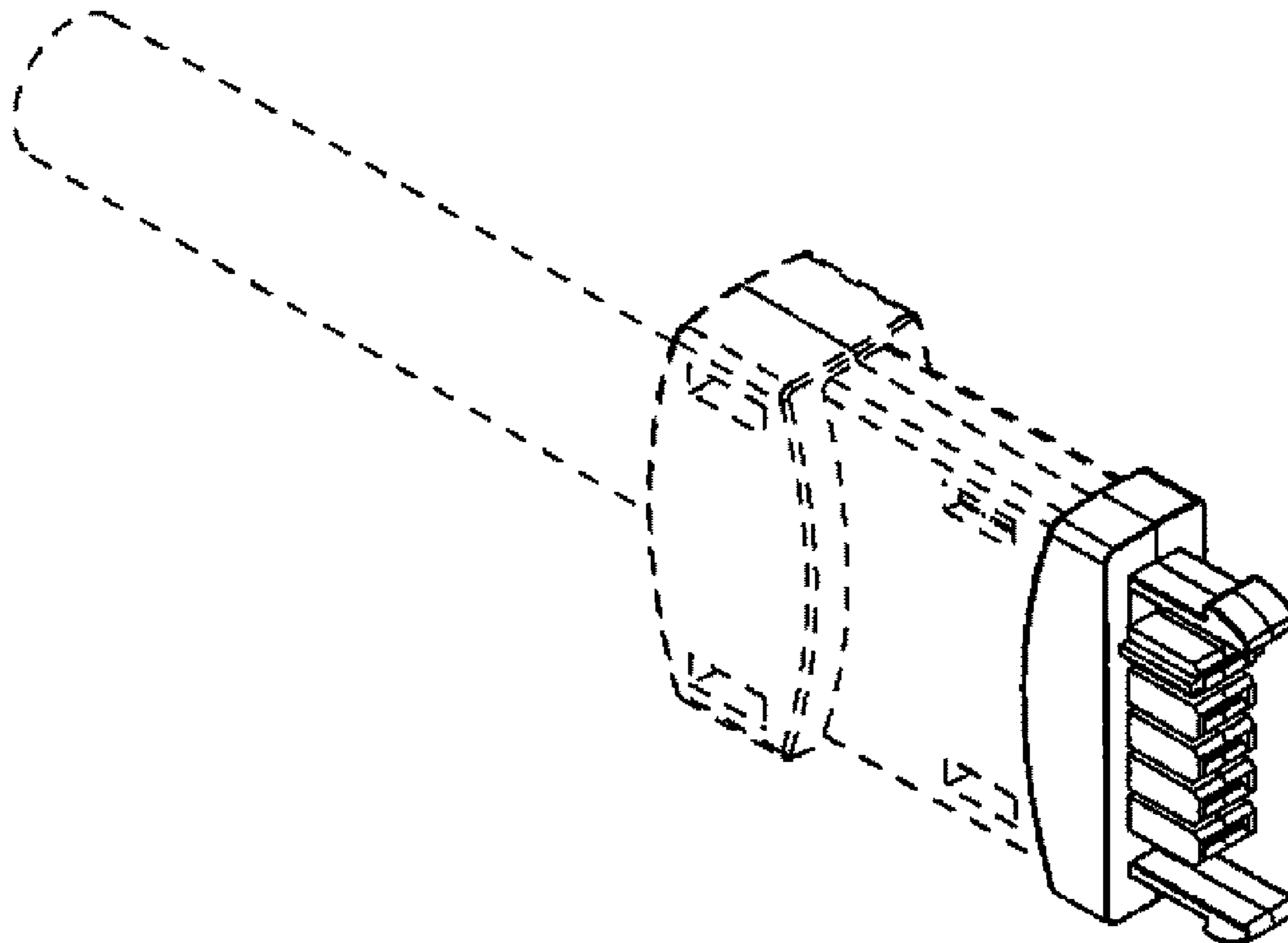
Primary Examiner — Daniel Bui
(74) *Attorney, Agent, or Firm* — Varnum, Riddering,
Schmidt & Howlett LLP

(57) **CLAIM**
The ornamental design for a connector keying arrangement,
as shown and described.

DESCRIPTION

FIG. 1 is a rear elevation view of a connector keying arrangement showing my new design;
FIG. 2 is a top plan view thereof;
FIG. 3 is a left side elevation view thereof;
FIG. 4 is a front elevation view thereof;
FIG. 5 is a right side elevation view thereof;
FIG. 6 is a bottom plan view thereof; and,
FIG. 7 is a perspective view thereof.
The broken line in the drawings is included to show unclaimed subject matter only and forms no part of the claimed design.

1 Claim, 2 Drawing Sheets



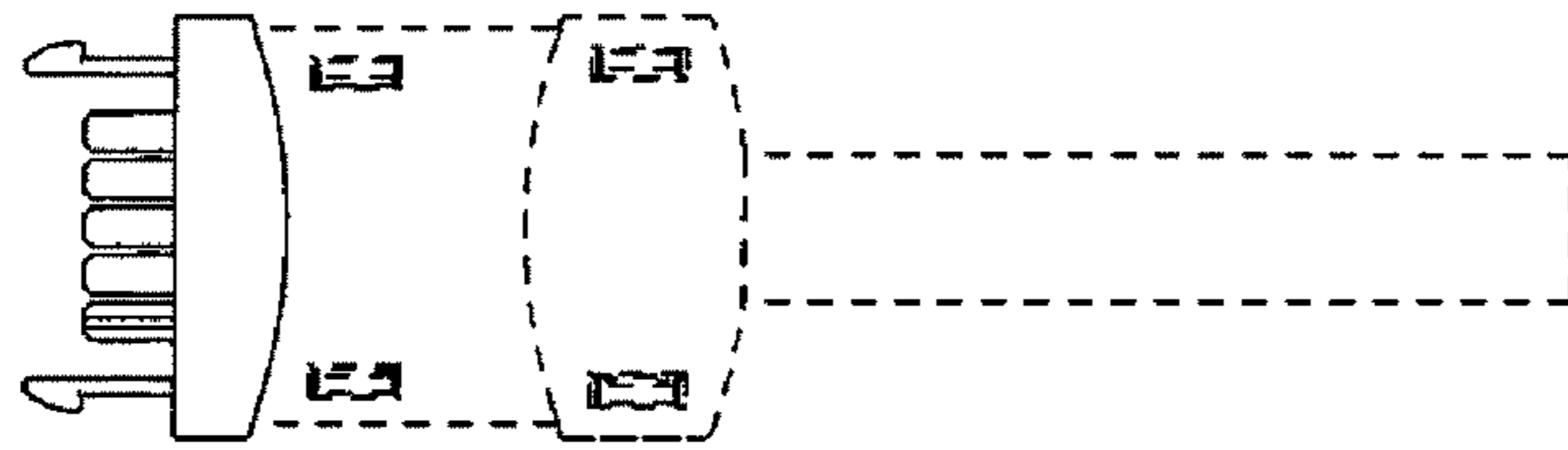


Fig. 1

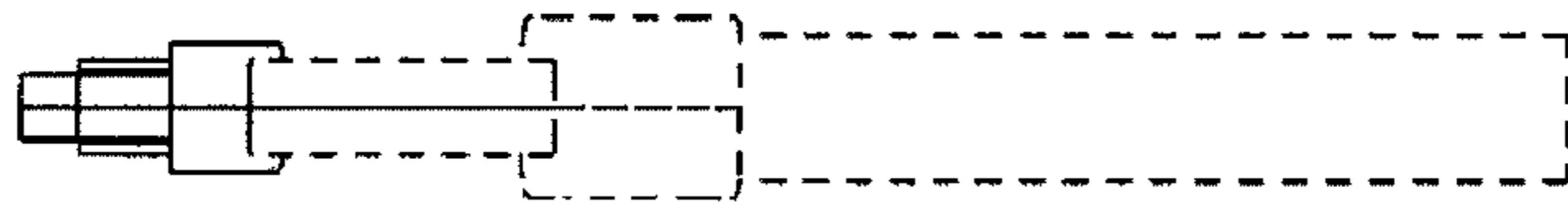


Fig. 2



Fig. 3

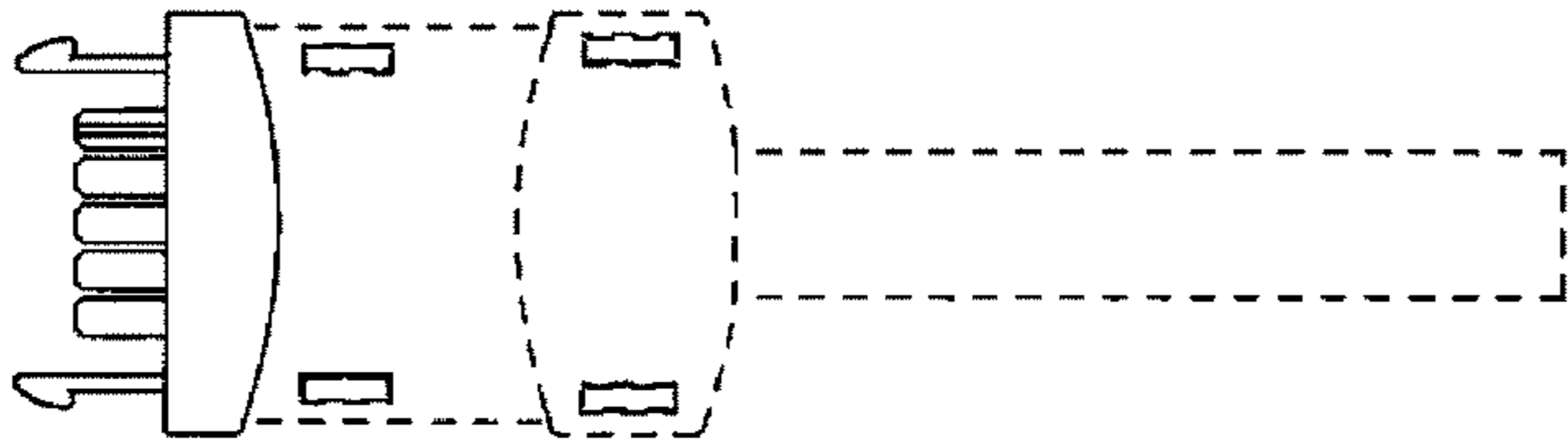


Fig. 4



Fig. 5

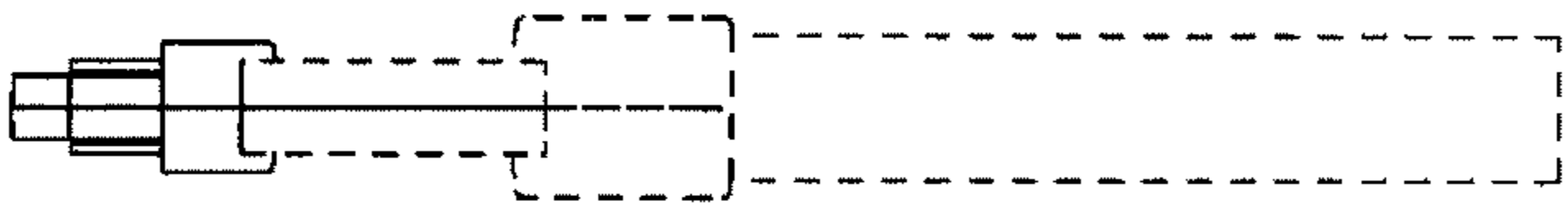


Fig. 6

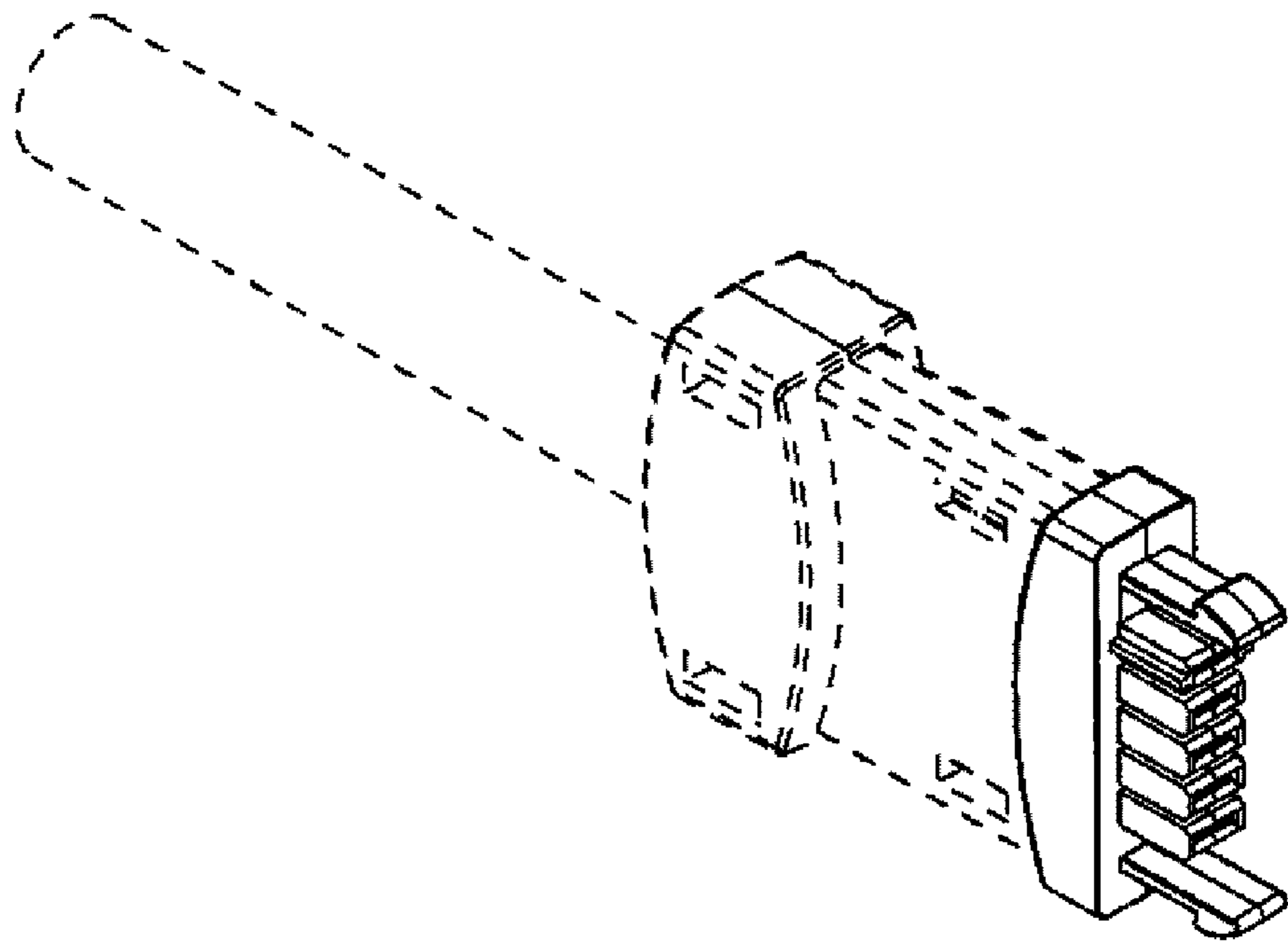


Fig. 7