



US00D651977S

(12) **United States Design Patent**  
**Lee**

(10) **Patent No.:** **US D651,977 S**  
(45) **Date of Patent:** **\*\* Jan. 10, 2012**

(54) **MULTIPLE OUTLET ELECTRICAL CONNECTOR**  
(75) Inventor: **Dominic Kan Nam Lee, Tsuen Wan (HK)**  
(73) Assignee: **Multway Industries (HK) Ltd., Tsuen Wan (HK)**  
(\*\*) Term: **14 Years**  
(21) Appl. No.: **29/382,910**  
(22) Filed: **Jan. 10, 2011**  
(51) **LOC (9) Cl.** ..... **13-03**  
(52) **U.S. Cl.** ..... **D13/139.1**  
(58) **Field of Classification Search** ..... D13/138.1, D13/138.2, 139.1-139.8, 137.1-137.4, 133, D13/107, 108, 110, 146, 147, 154, 174, 177, D13/152, 160; D8/353, 350; 363/15, 34, 363/146; 439/93, 105, 106, 535, 620.15, 439/620.21, 620.3, 620.31, 907, 908, 919, 439/650, 651, 652, 653, 654, 655, 692; 174/494, 174/53, 55, 59, 66; 320/111, 114, 115; 307/150, 307/151  
See application file for complete search history.

D159,004 S 6/1950 Russell  
D164,338 S 8/1951 Tyler  
2,636,096 A 4/1953 Di Blasi  
D179,081 S 10/1956 Hudson  
2,792,561 A 5/1957 Cohen  
3,005,179 A 10/1961 Holt  
D194,105 S 11/1962 More  
D195,955 S 8/1963 Carlson  
D216,262 S 12/1969 Robinson  
3,509,356 A 4/1970 Peebles  
3,924,914 A 12/1975 Banner  
3,997,225 A 12/1976 Horwinski  
4,000,405 A 12/1976 Horwinski  
4,079,344 A 3/1978 Lauben et al.  
4,085,996 A 4/1978 Koslo  
4,118,690 A 10/1978 Paynton  
D251,293 S 3/1979 Trueblood  
4,191,985 A 3/1980 Phillips, Jr.  
(Continued)

**FOREIGN PATENT DOCUMENTS**

JP 1206291 \* 5/2004  
*Primary Examiner* — Angela J Lee  
(74) *Attorney, Agent, or Firm* — Frost Brown Todd LLC

(57) **CLAIM**  
The ornamental design for a multiple outlet electrical connector, as shown and described.

(56) **References Cited**

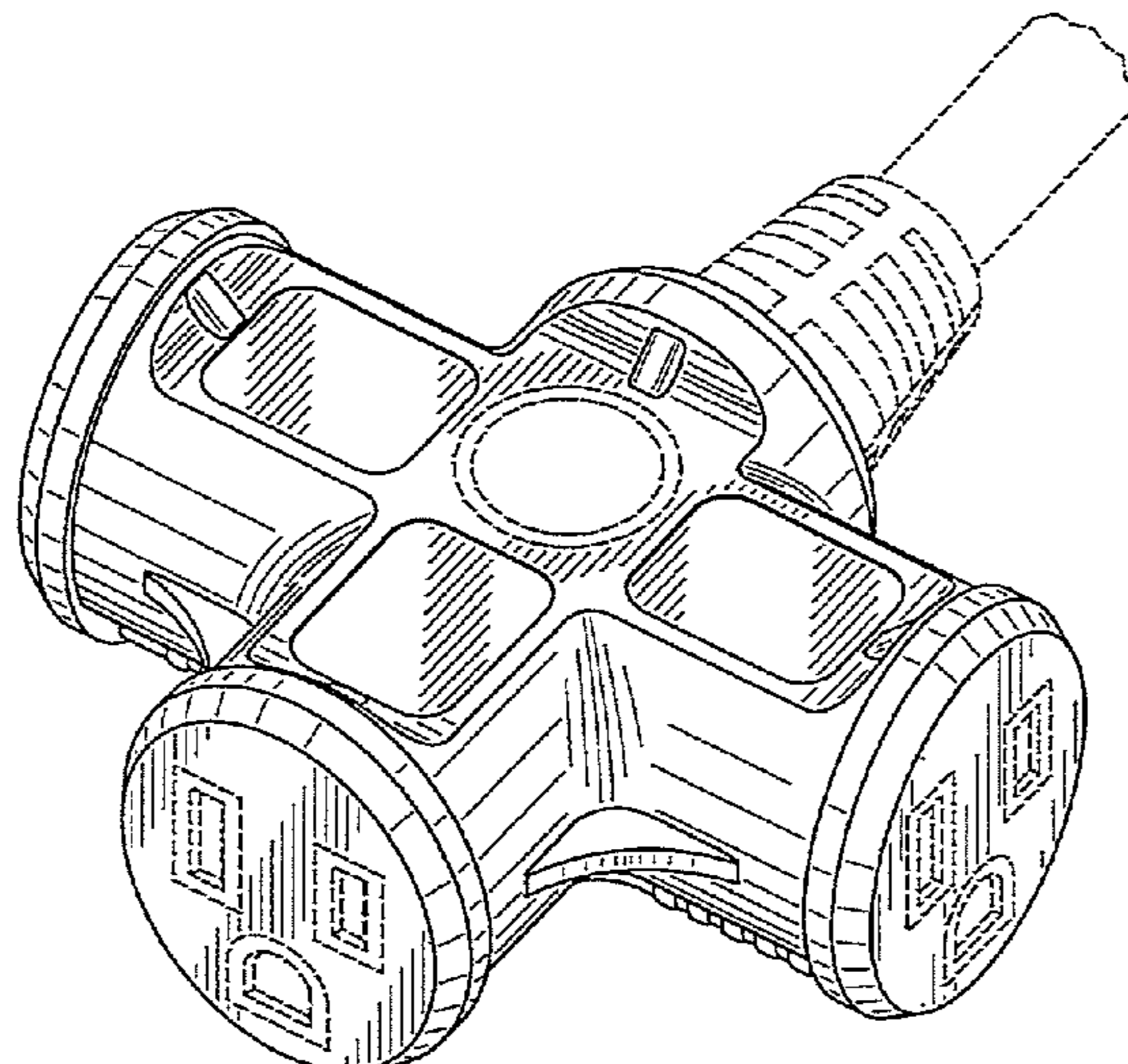
**U.S. PATENT DOCUMENTS**

1,511,855 A 10/1924 Wentz  
1,568,156 A 1/1926 Herskovitz  
D77,735 S 2/1929 Both  
D80,102 S 12/1929 Muldoon  
D86,613 S 3/1932 Lauter  
1,889,695 A 11/1932 Petersen  
1,935,771 A 11/1933 Feurstein et al.  
D109,912 S 5/1938 Guild  
2,210,215 A 8/1940 Herman  
D126,590 S 4/1941 Lewin  
2,267,816 A 12/1941 Chirelstein  
2,318,484 A 5/1943 Herman  
2,500,987 A 3/1950 Harpster  
2,508,770 A 5/1950 Oshinsky

**DESCRIPTION**

FIG. 1 is a top perspective view of a multiple outlet electrical connector, showing my new design;  
FIG. 2 is a top view thereof;  
FIG. 3 is a bottom perspective view thereof;  
FIG. 4 is a bottom view thereof;  
FIG. 5 is a left side elevational view thereof, the right side elevational view being a mirror image thereof; and,  
FIG. 6 is a front elevational view thereof.  
The indicator light, cord, cord attachment portion and other features shown in broken lines in FIGS. 1-6 illustrate unclaimed portions and form no part of the claimed design.

**1 Claim, 5 Drawing Sheets**



# US D651,977 S

U.S. PATENT DOCUMENTS					
4,293,172 A	10/1981	Lingaraju	5,816,860 A	10/1998	Blanche
D276,225 S	11/1984	Powel	D401,555 S	11/1998	Tam
D277,370 S	1/1985	Gehr et al.	D406,562 S	3/1999	Al-Sabah
D284,758 S	7/1986	Maloney	5,888,105 A	3/1999	Brown et al.
D285,552 S	9/1986	Schwartz	D408,355 S	4/1999	Welsh et al.
D285,788 S	9/1986	Rapp et al.	D411,981 S	7/1999	Jeon-Chapman et al.
D288,177 S	2/1987	Yang	D415,105 S	10/1999	Lee
4,659,161 A	4/1987	Holcomb	D425,638 S	5/2000	Yuen
4,671,597 A	6/1987	Grill	D436,345 S	1/2001	Lentine
D292,395 S	10/1987	Waters et al.	D440,203 S	4/2001	Ewing et al.
4,764,128 A	8/1988	Cheng	D440,942 S *	4/2001	Ewing et al. .... D13/139.1
4,767,359 A	8/1988	Martell	D442,550 S	5/2001	Tong et al.
D301,576 S	6/1989	Wang	D442,916 S	5/2001	Tong et al.
4,856,999 A	8/1989	Flohr	D443,589 S	6/2001	Tong et al.
4,861,286 A	8/1989	Fosnaugh	D446,187 S	8/2001	Lam et al.
D305,641 S	1/1990	DeLuca	D446,502 S	8/2001	Wen
4,897,049 A	1/1990	Miller et al.	D448,730 S	10/2001	Lee
D307,742 S	5/1990	Serr et al.	D462,056 S	8/2002	Chung
D312,615 S	12/1990	Schwartz	D467,873 S	12/2002	Yu
D315,141 S	3/1991	Hames	D468,848 S	1/2003	Schenck
D315,893 S	4/1991	Cheng	D469,062 S	1/2003	Nieto et al.
5,004,435 A	4/1991	Jammet	D481,357 S	10/2003	Stekelenburg
D318,262 S	7/1991	Neuwirth	D482,326 S *	11/2003	Stekelenburg ..... D13/137.4
5,030,119 A	7/1991	Lowe	D483,331 S	12/2003	Adachi et al.
5,094,630 A	3/1992	Jammet	D483,723 S	12/2003	Adachi et al.
D325,370 S	4/1992	Belcher	D486,126 S	2/2004	Aromin
D325,723 S	4/1992	Gary et al.	6,709,297 B2	3/2004	Lee
5,122,082 A	6/1992	Lee	D492,253 S	6/2004	Lee
D329,423 S	9/1992	Luu	D492,254 S	6/2004	Nakashima et al.
5,171,168 A	12/1992	Chiodo	D493,426 S	7/2004	Strayer
5,207,594 A	5/1993	Olson	D495,657 S	9/2004	Lee
5,211,584 A	5/1993	Lee	6,929,514 B1	8/2005	Chuang
5,232,381 A	8/1993	Yu	6,942,079 B2	9/2005	Chang
5,236,371 A	8/1993	Matthis	D512,963 S	12/2005	Lee
5,269,695 A	12/1993	Opel	D514,067 S	1/2006	Lee
D347,593 S	6/1994	Davis et al.	D540,257 S	4/2007	Ivanova et al.
D347,594 S	6/1994	Davis et al.	D547,271 S	7/2007	Ng
D350,936 S	9/1994	Rossman et al.	D547,272 S	7/2007	Ng
D350,938 S	9/1994	Rossman et al.	D549,650 S	8/2007	Russell et al.
5,383,799 A	1/1995	Fladung	D559,184 S	1/2008	Russell et al.
D357,460 S	4/1995	Lovett	D562,240 S	2/2008	Lee
D361,315 S	8/1995	Wedell et al.	7,371,121 B1	5/2008	Lee
5,443,400 A	8/1995	Brown et al.	7,371,122 B2	5/2008	Ivanova et al.
D364,379 S	11/1995	Pogue et al.	D572,662 S *	7/2008	Haber ..... D13/139.8
D370,459 S	6/1996	Boesel et al.	D576,552 S	9/2008	Caine et al.
D371,341 S	7/1996	Hung et al.	7,520,783 B2	4/2009	Chou et al.
D372,702 S	8/1996	Sanner	D594,823 S *	6/2009	Ho'o et al. .... D13/139.1
5,562,488 A	10/1996	Neiser et al.	D596,571 S	7/2009	Green
D375,292 S	11/1996	D'Amato	D597,486 S *	8/2009	Wu ..... D13/137.2
D376,129 S	12/1996	Muller et al.	D599,290 S	9/2009	Lee
D379,796 S	6/1997	Bagga	D612,333 S *	3/2010	Wu ..... D13/139.1
D379,966 S	6/1997	Gallagher	D614,134 S *	4/2010	Chen et al. .... D13/137.2
D381,315 S *	7/1997	Harold ..... D13/139.4	D618,617 S	6/2010	Lee
5,645,147 A	7/1997	Kovacik et al.	7,862,385 B2	1/2011	Lee
D382,658 S	8/1997	Yu	7,892,036 B2 *	2/2011	Lee ..... 439/638
5,660,554 A	8/1997	Mead	2003/0181105 A1 *	9/2003	Lee ..... 439/638
5,666,053 A	9/1997	Suzuki et al.	2009/0053307 A1	2/2009	Longo et al.
5,700,150 A	12/1997	Morin	2010/0022106 A1	1/2010	Lee
D397,086 S	8/1998	Lin			

\* cited by examiner

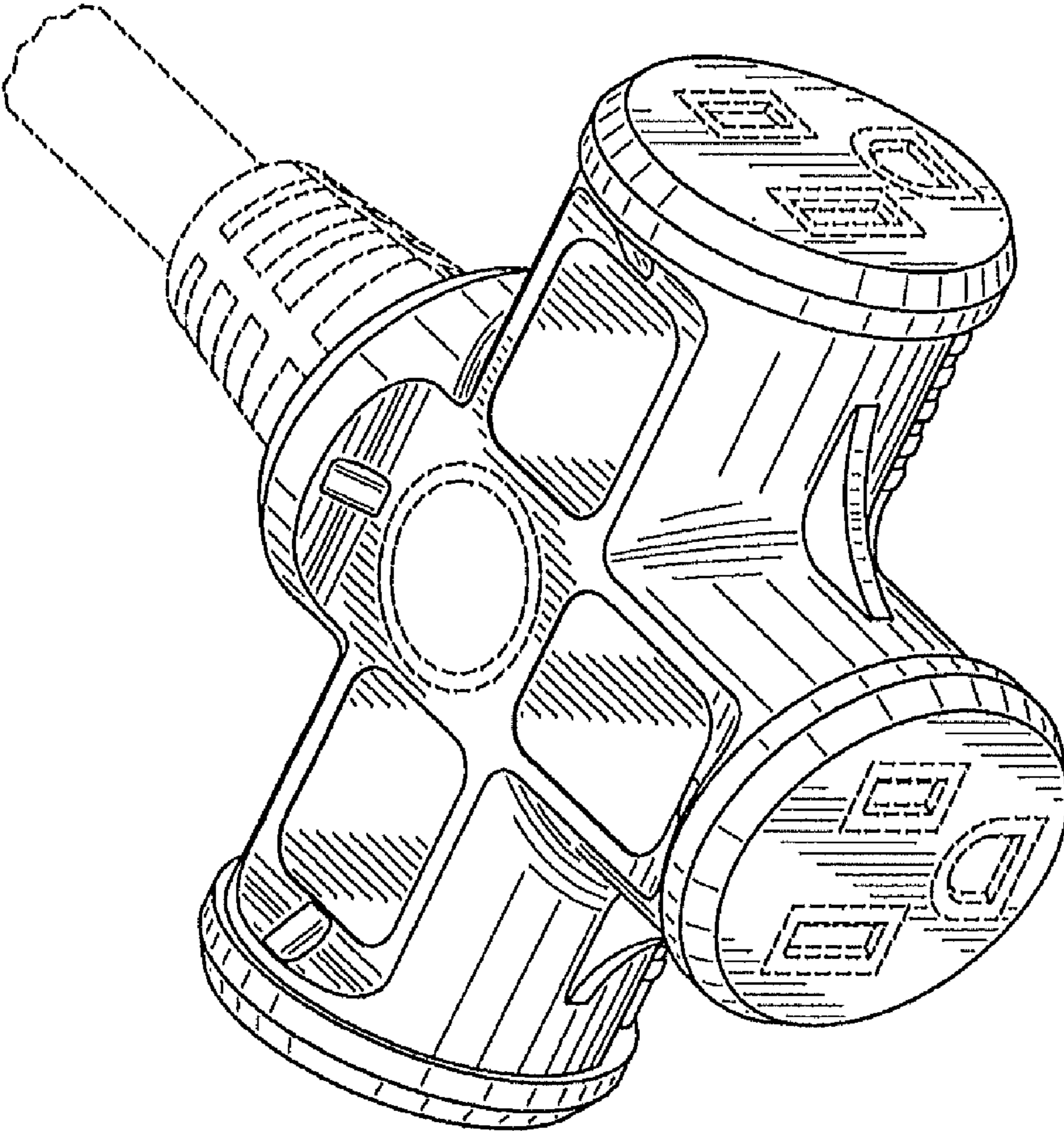


FIG. 1

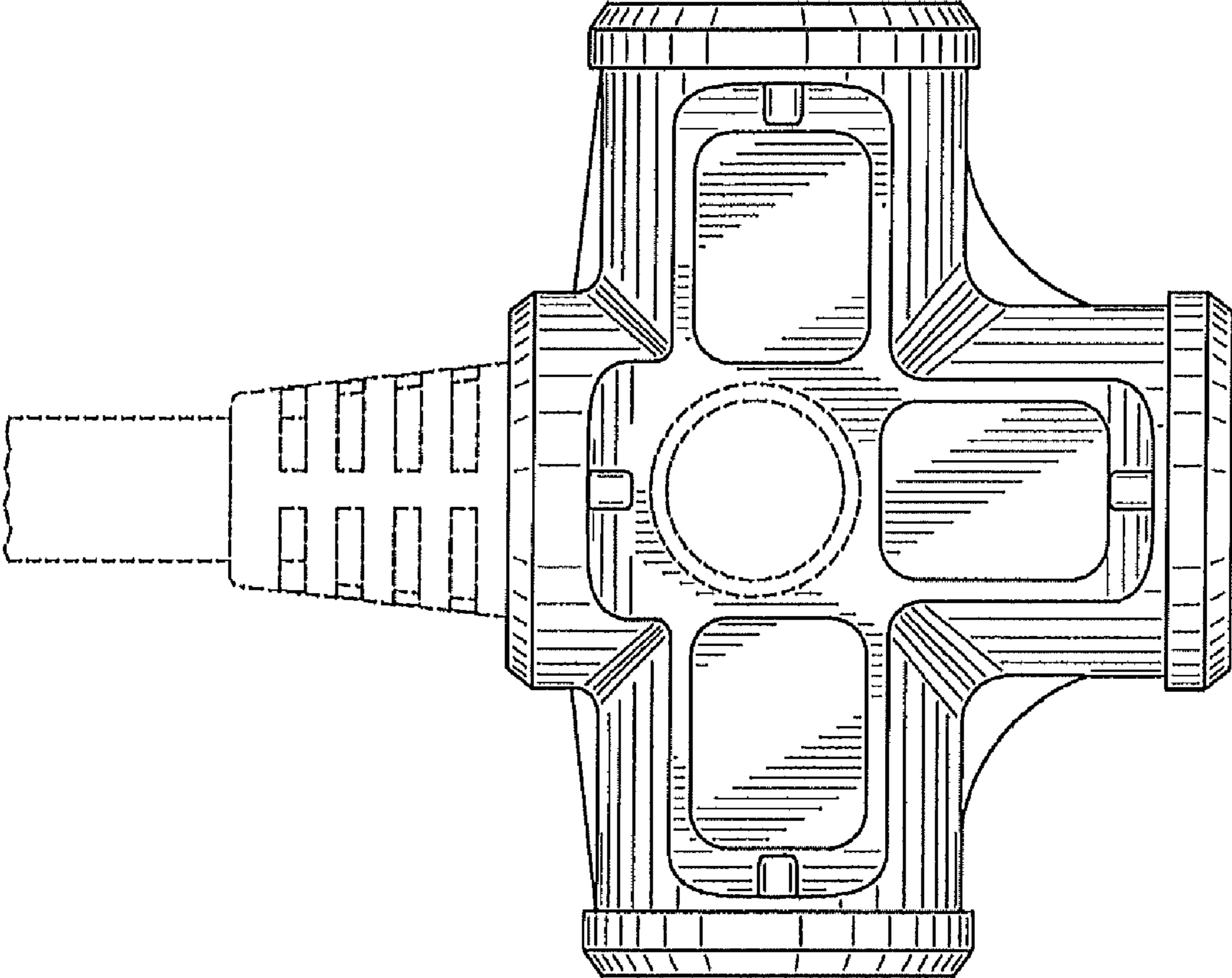


FIG. 2

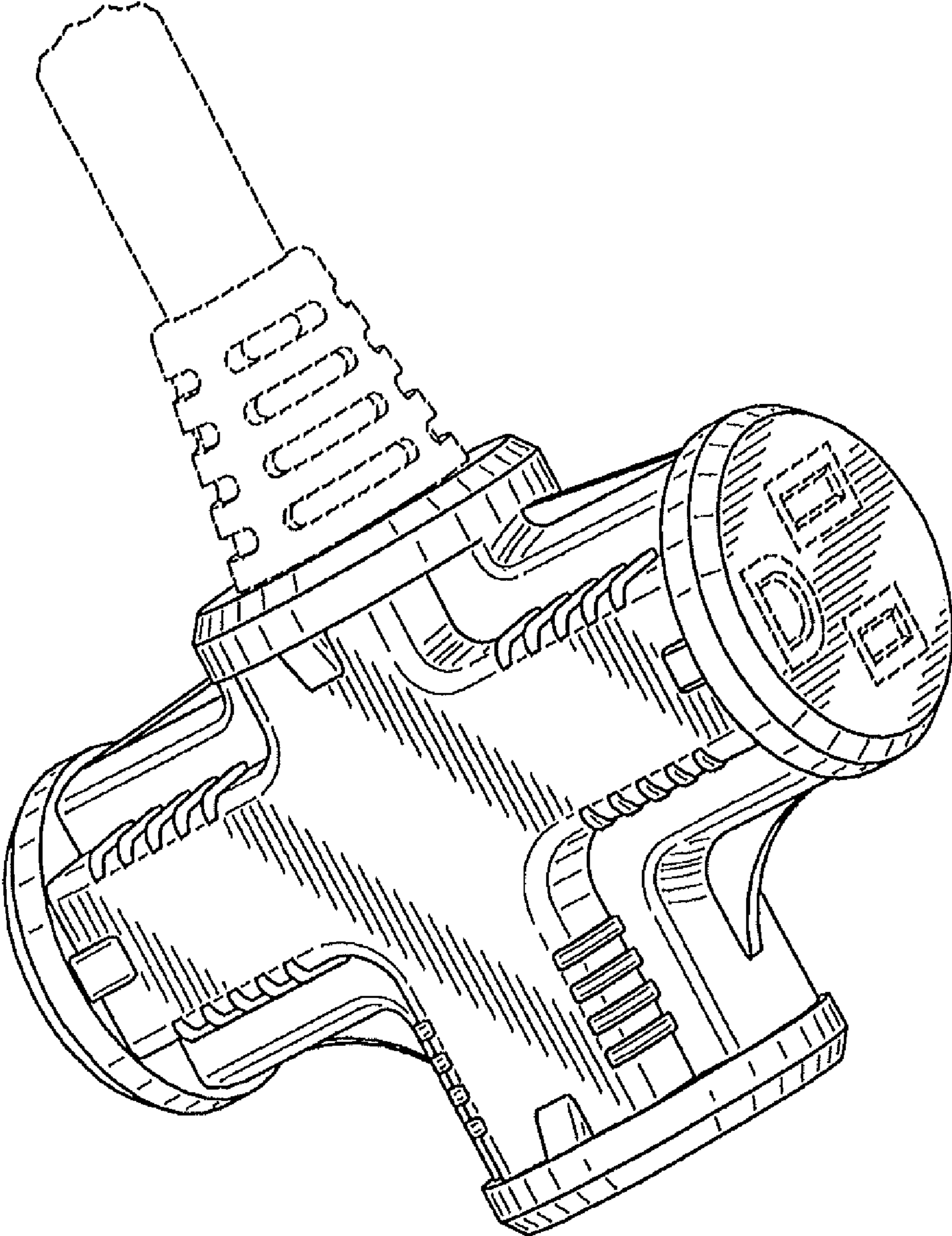


FIG. 3

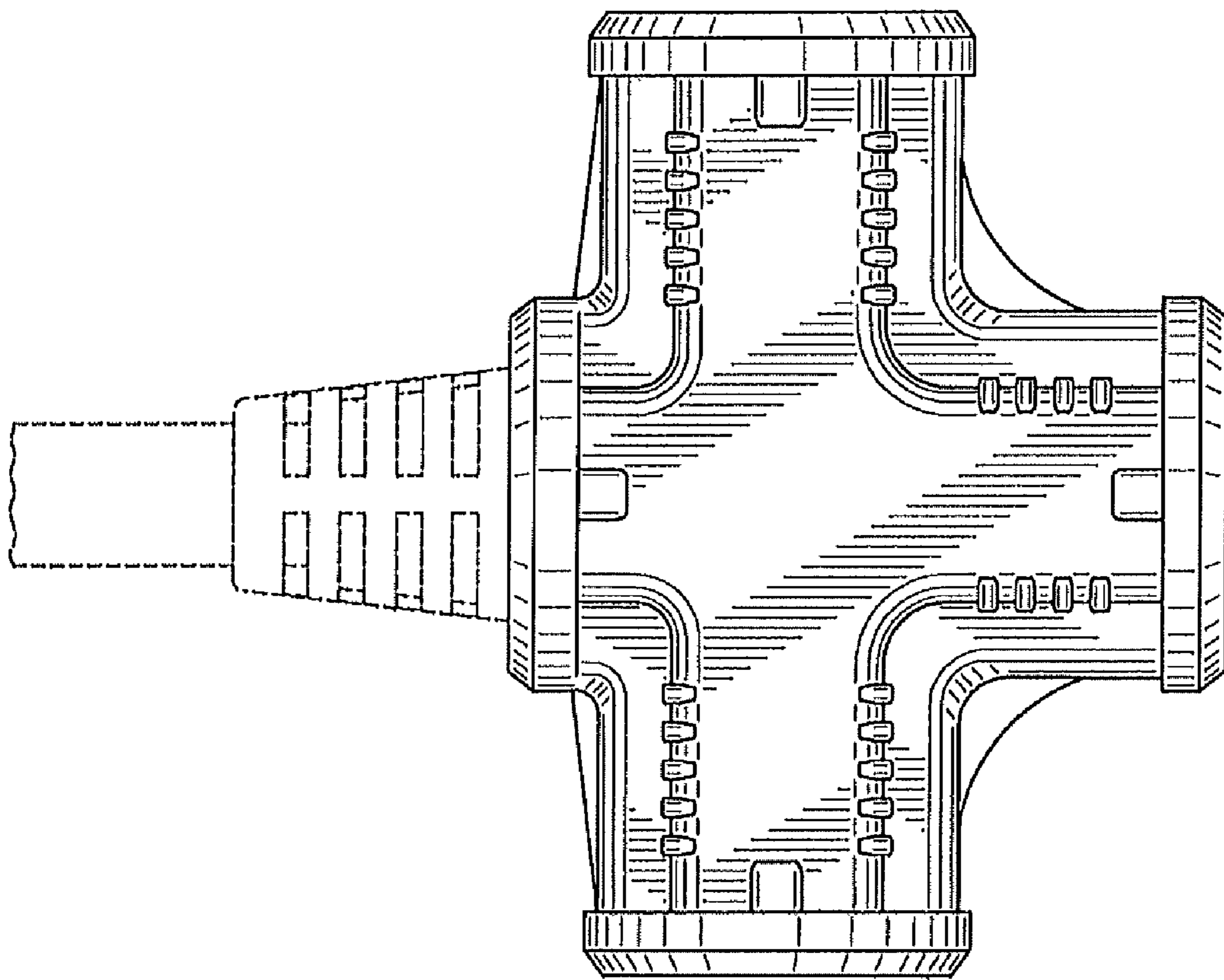


FIG. 4

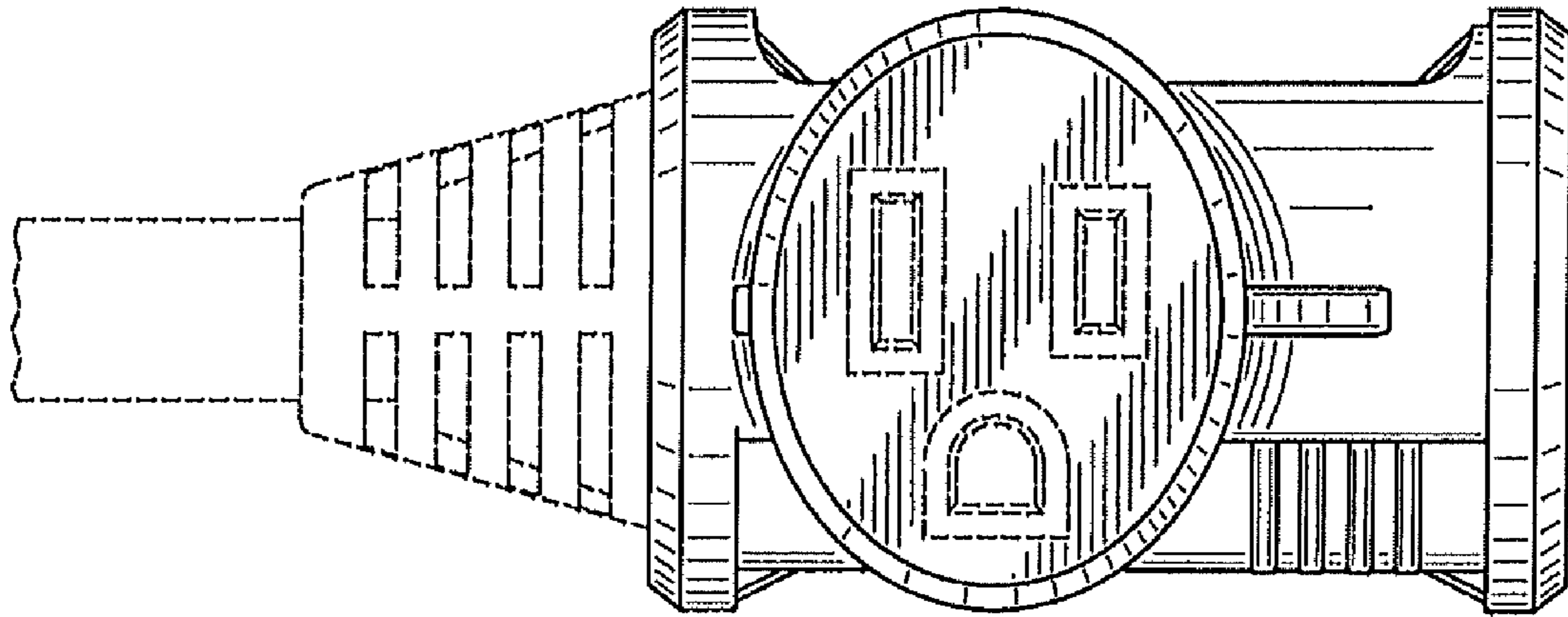


FIG. 5

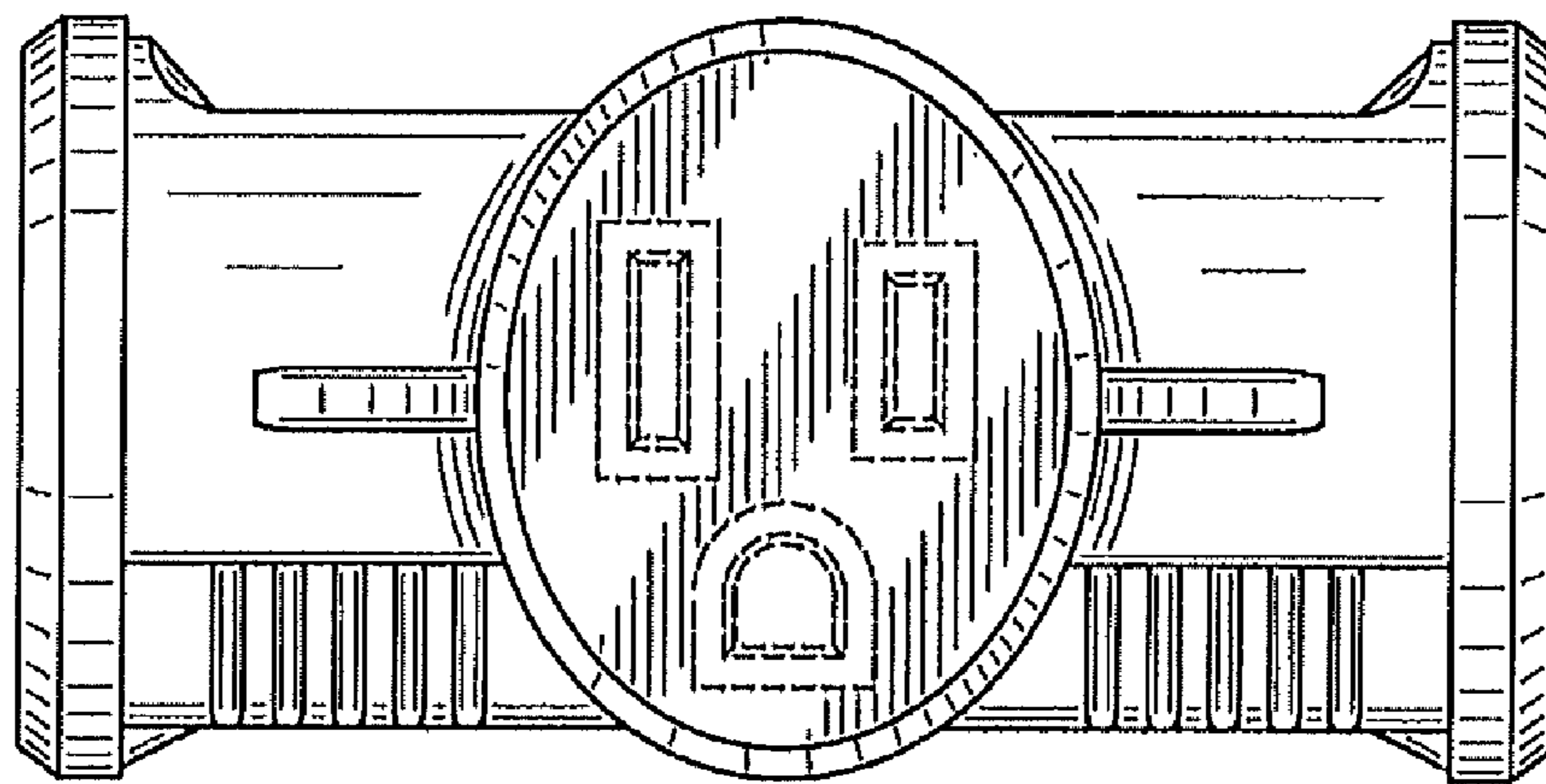


FIG. 6