

US00D651973S

(12) **United States Design Patent**
Fukano et al.

(10) **Patent No.:** **US D651,973 S**
(45) **Date of Patent:** **** Jan. 10, 2012**

(54) **LAMP SOCKET**

D420,326 S * 2/2000 Henrici D13/134
D491,890 S * 6/2004 Henrici et al. D13/134
7,568,930 B2 * 8/2009 Brand et al. 439/234

(75) Inventors: **Satoshi Fukano**, Osaka (JP);
Nobumichi Nishihama, Osaka (JP);
Takeshi Osada, Kanagawa (JP); **Takeshi Saito**, Osaka (JP); **Hiroki Nakagawa**, Osaka (JP)

FOREIGN PATENT DOCUMENTS

JP D1284847 S 9/2006
TW D104840 S 5/2005
TW D117621 S 6/2007

* cited by examiner

(73) Assignees: **Panasonic Electric Works Co., Ltd.**, Kadoma-shi (JP); **Panasonic Corporation**, Kadoma-shi (JP); **Toshiba Lighting & Technology Corporation**, Yokosuka-shi (JP)

Primary Examiner — Thomas Johannes

(74) *Attorney, Agent, or Firm* — Marvin A. Motsenbocker; Mots Law, PLLC

(**) Term: **14 Years**

(57) **CLAIM**

The ornamental design for a lamp socket, as shown and described.

(21) Appl. No.: **29/381,949**

DESCRIPTION

(22) Filed: **Dec. 27, 2010**

(30) **Foreign Application Priority Data**

Jun. 28, 2010 (JP) 2010-015753

(51) **LOC (9) Cl.** **13-03**

(52) **U.S. Cl.** **D13/134**

(58) **Field of Classification Search** D13/133,
D13/134, 149; D26/138, 140; 362/217,
362/147, 223, 260; 439/241, 242, 243, 244,
439/239, 226, 240

See application file for complete search history.

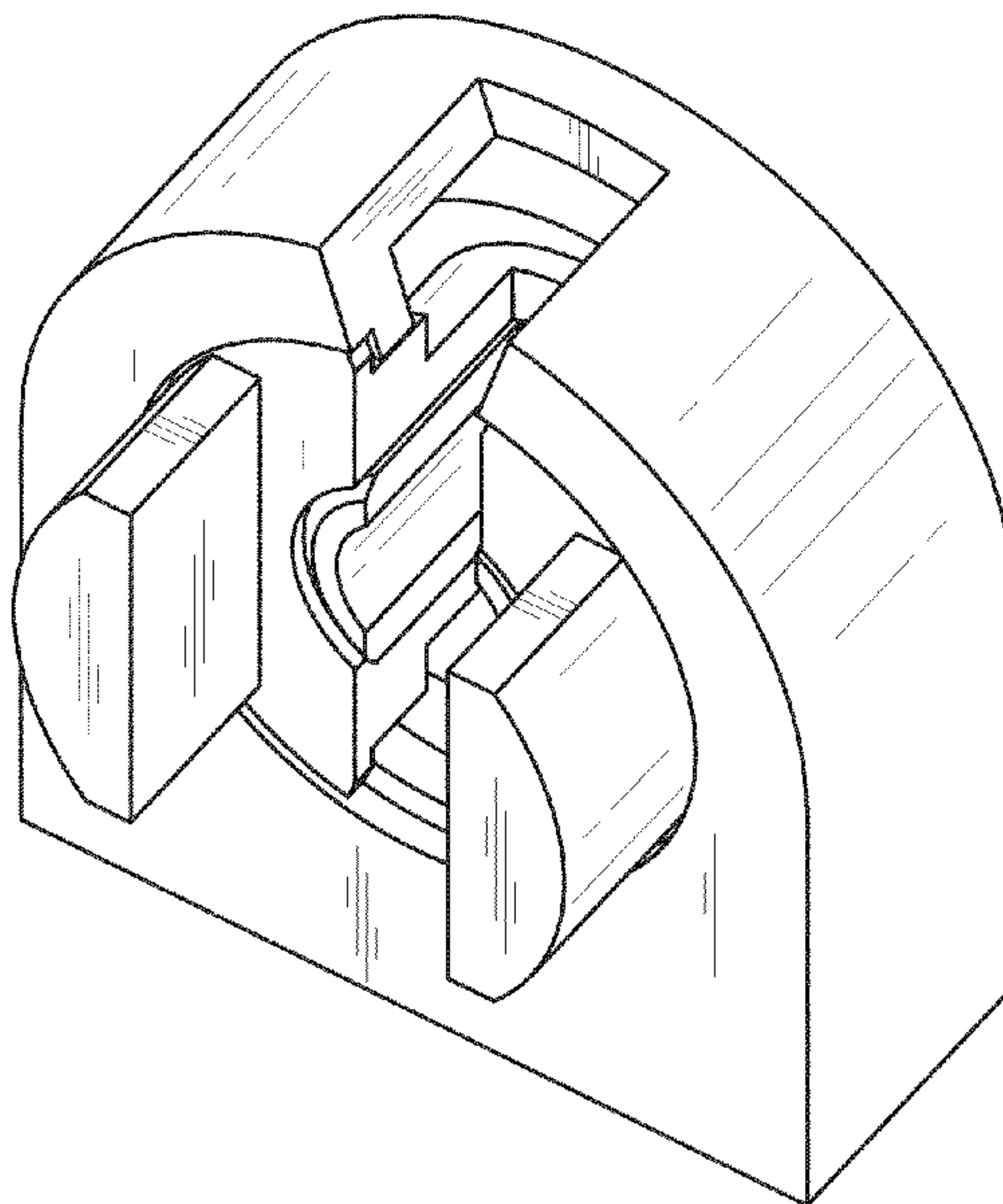
(56) **References Cited**

U.S. PATENT DOCUMENTS

2,313,036 A * 3/1943 Burt 200/51.09
D388,395 S * 12/1997 Henrici D13/134
D406,814 S * 3/1999 Henrici D13/134
D417,653 S * 12/1999 Henrici D13/134

FIG. 1 is a perspective view of front, top, and right side of a lamp socket showing our new design;
FIG. 2 is a perspective view of rear, bottom, and left side thereof;
FIG. 3 is a front elevation view thereof;
FIG. 4 is a rear elevation view thereof;
FIG. 5 is a top plan view thereof;
FIG. 6 is a bottom plan view thereof; and
FIG. 7 is a left side elevation view thereof;
FIG. 8 is a right side elevation view thereof;
FIG. 9 is a cross sectional view at 9-9 shown in FIG. 3 thereof;
FIG. 10 is a cross sectional view at 10-10 shown in FIG. 3 thereof;
FIG. 11 is a cross sectional view at 11-11 shown in FIG. 5 thereof; and,
FIG. 12 is a perspective view thereof showing a terminal holder therein in a rotated position.
Portions of the article in broken lines show unclaimed subject matter only and form no part of the claimed design.

1 Claim, 6 Drawing Sheets



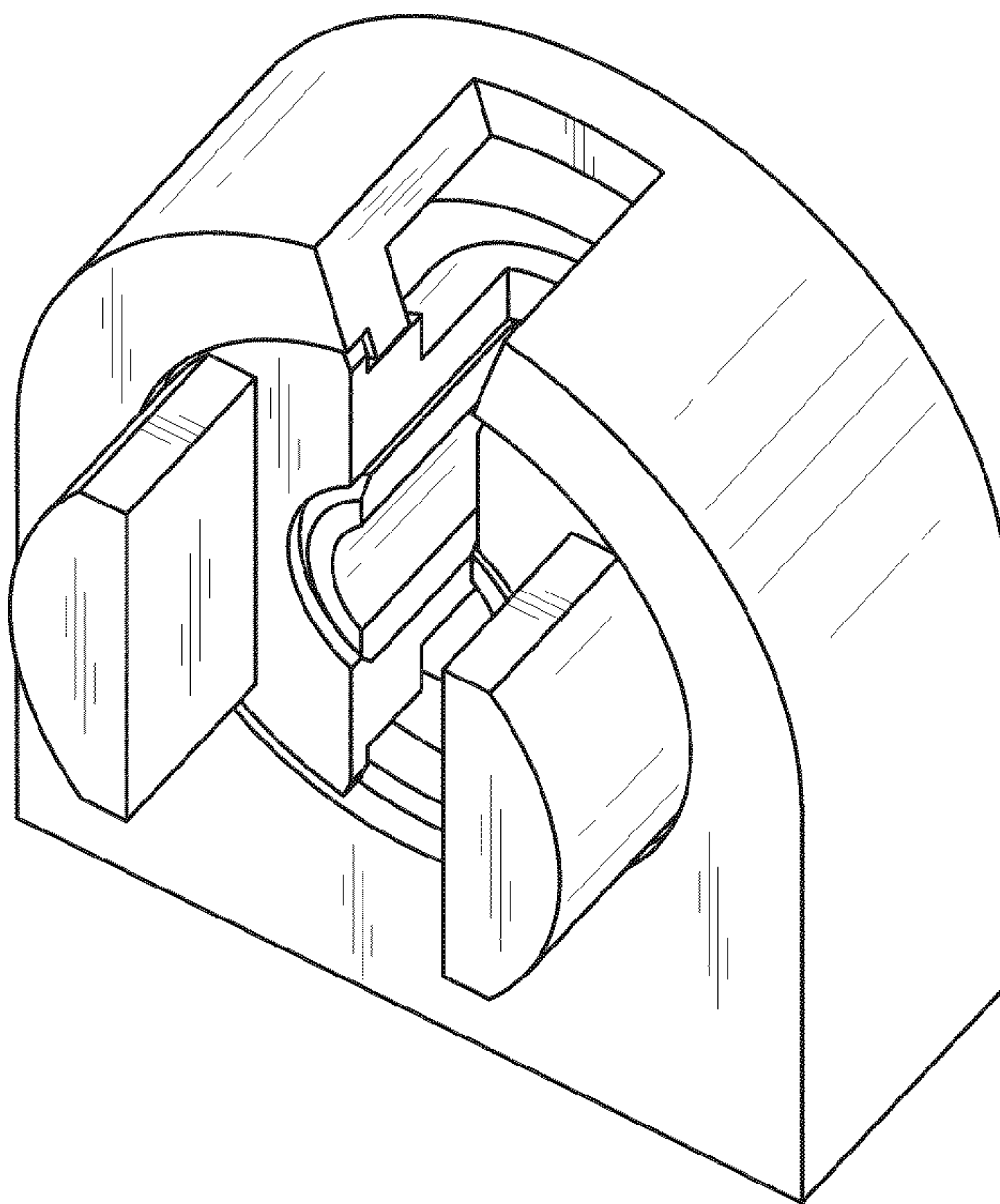


FIG. 1

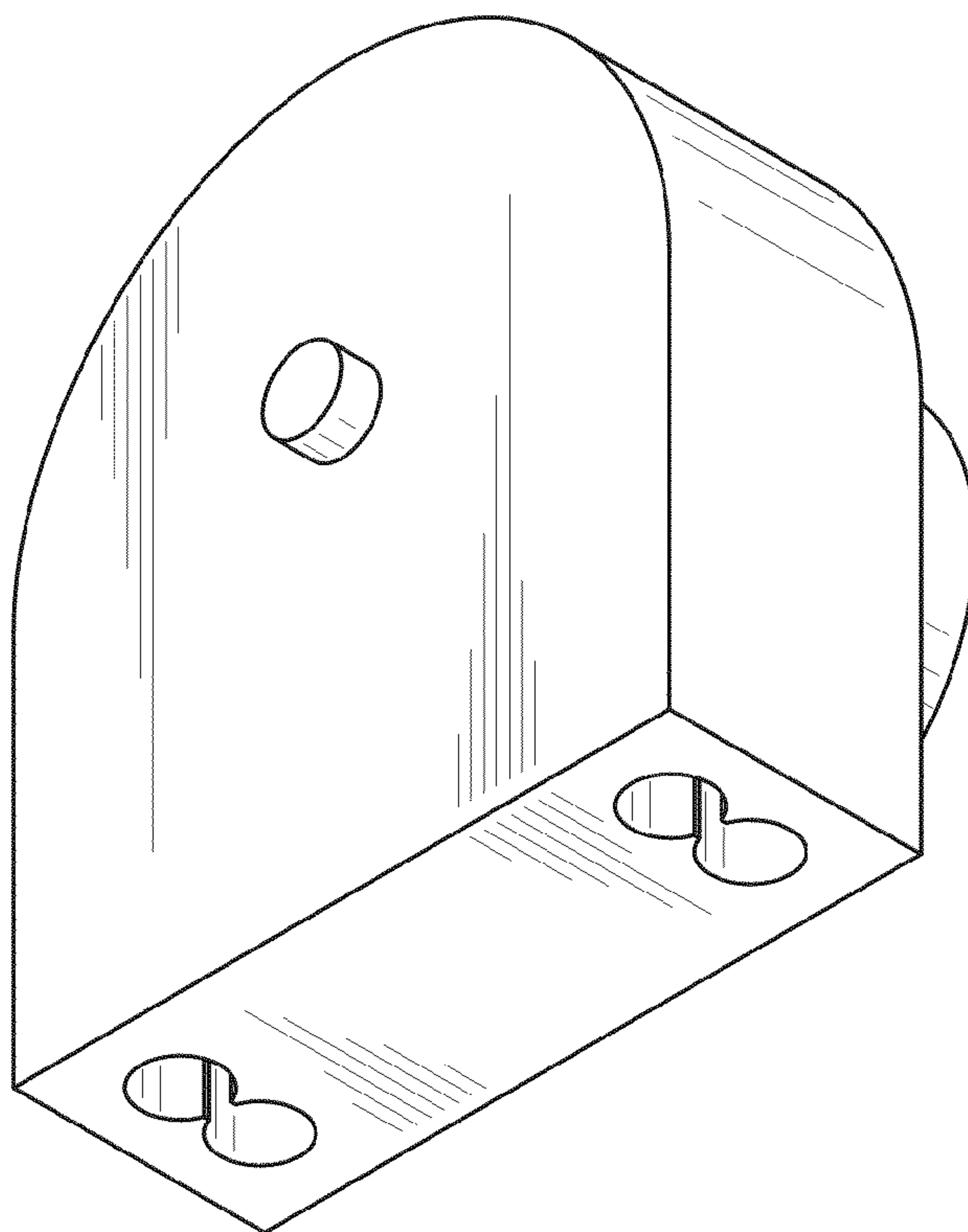
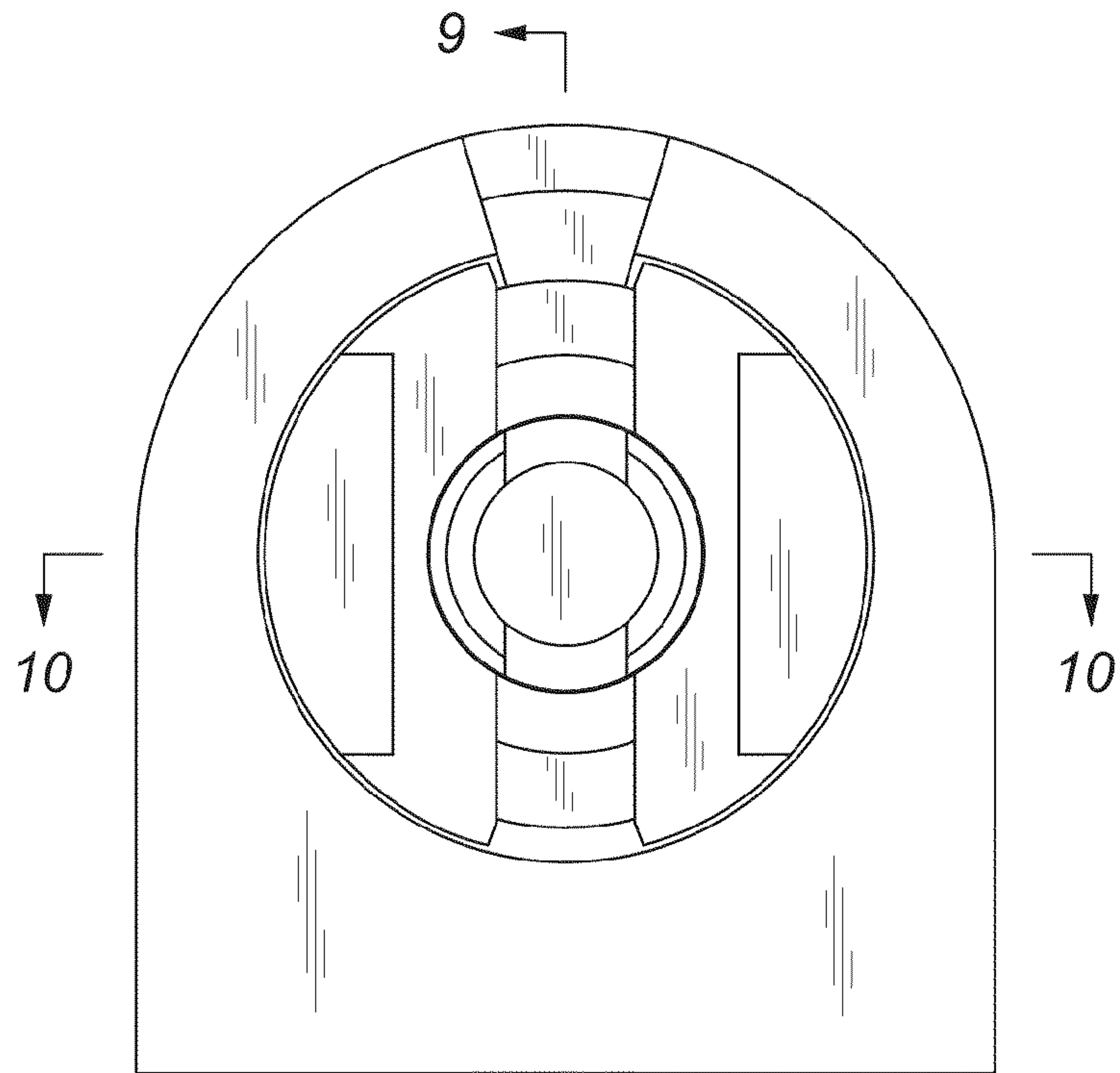


FIG. 2



9

FIG. 3

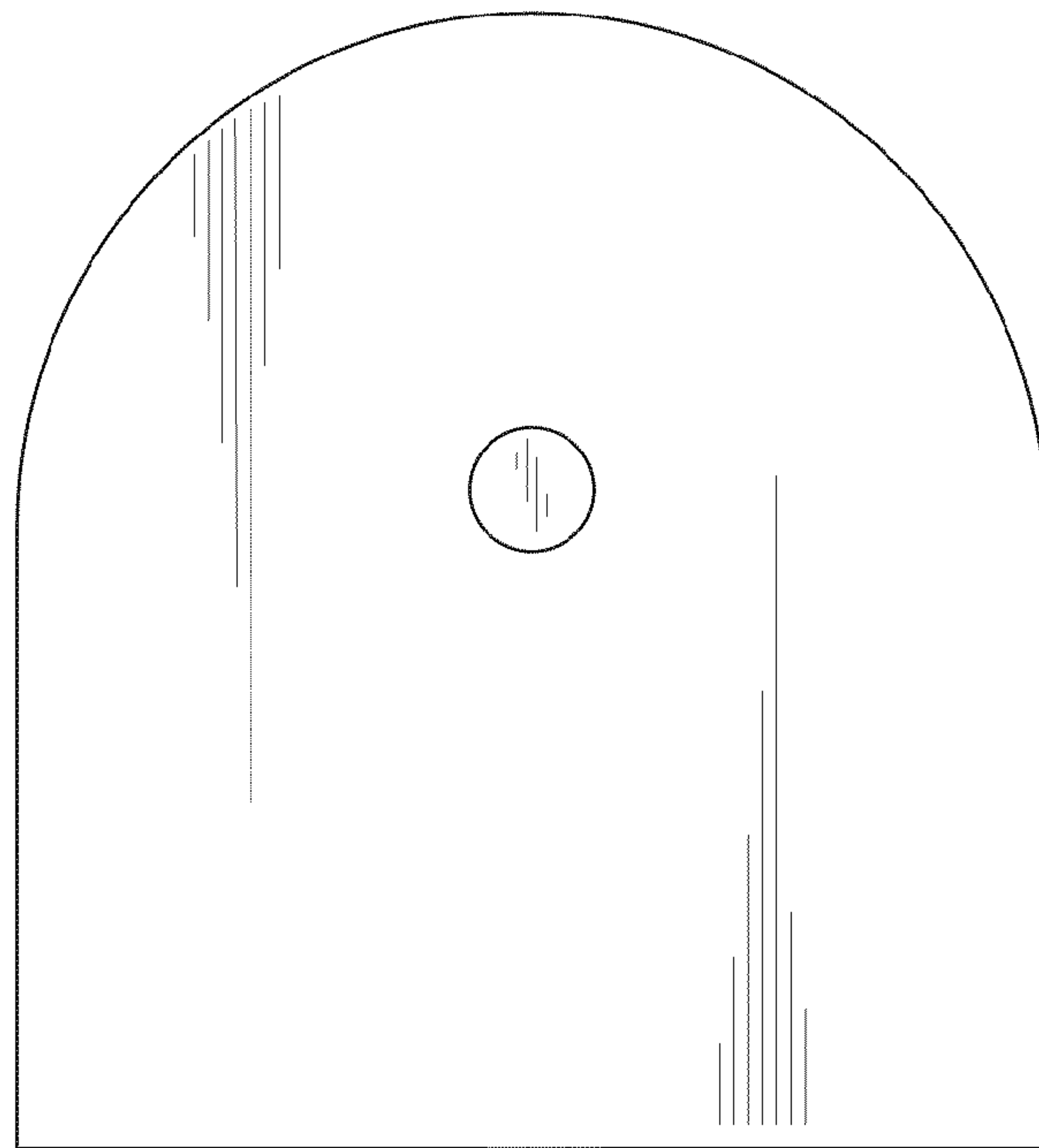


FIG. 4

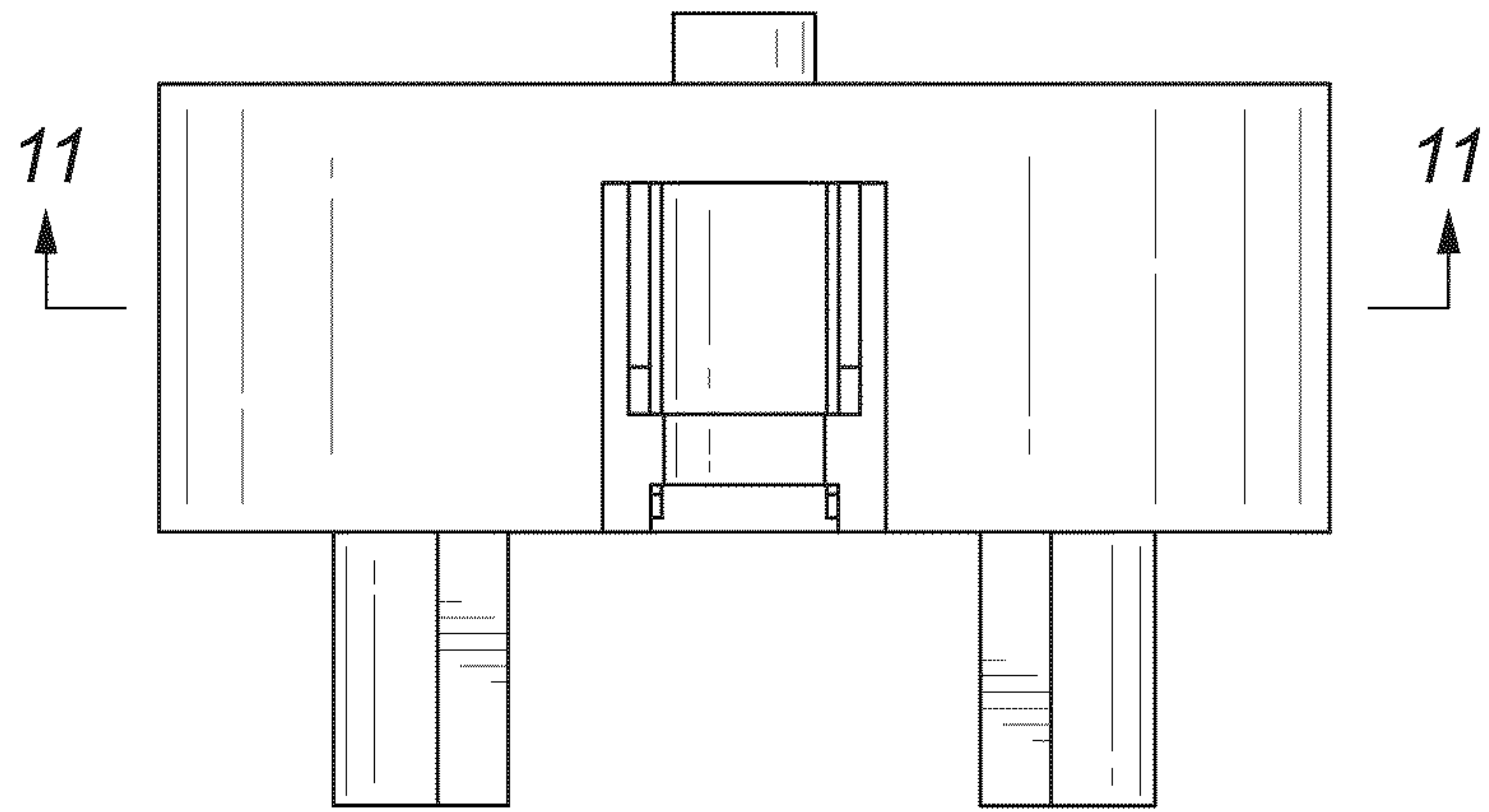


FIG. 5

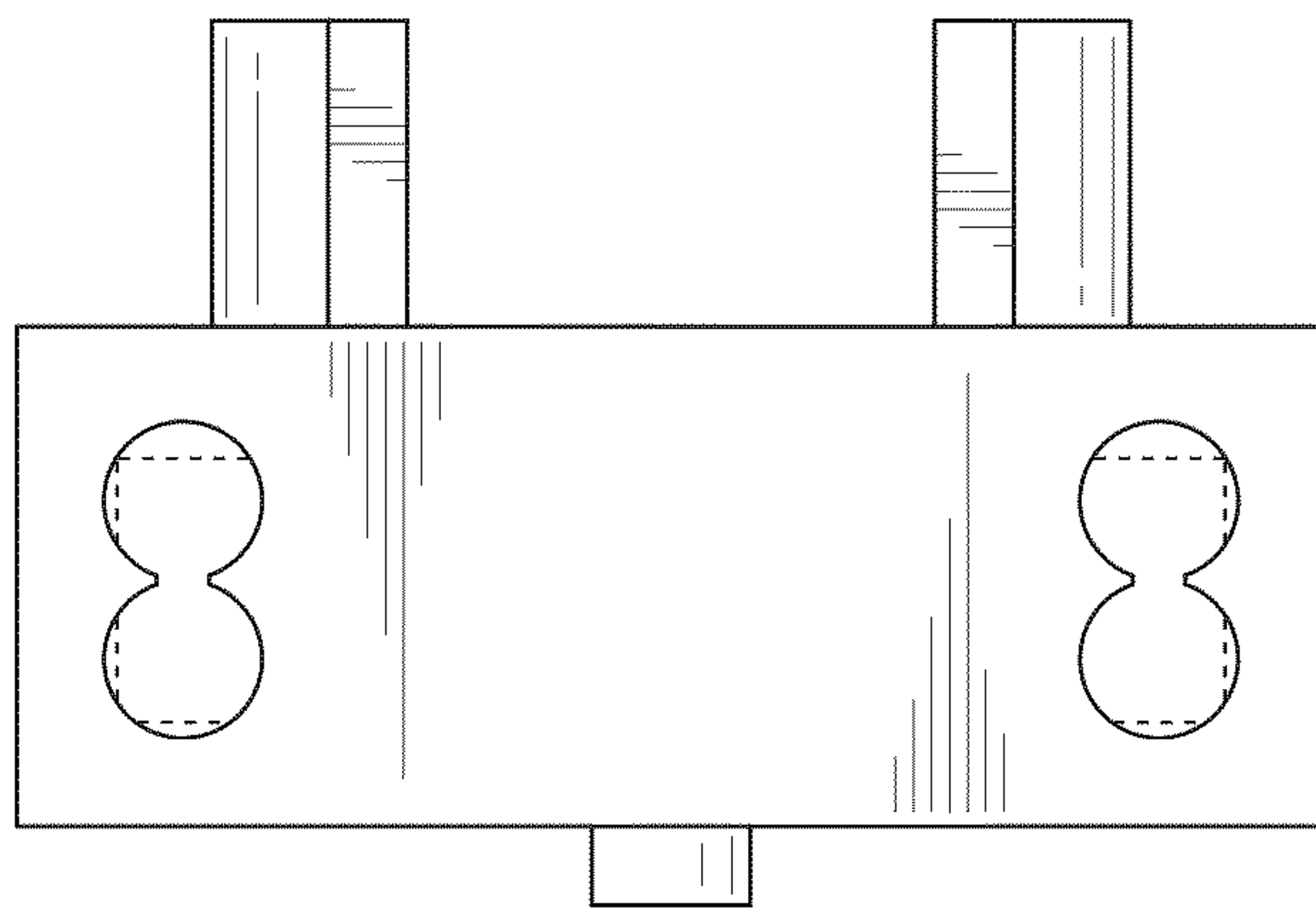


FIG. 6

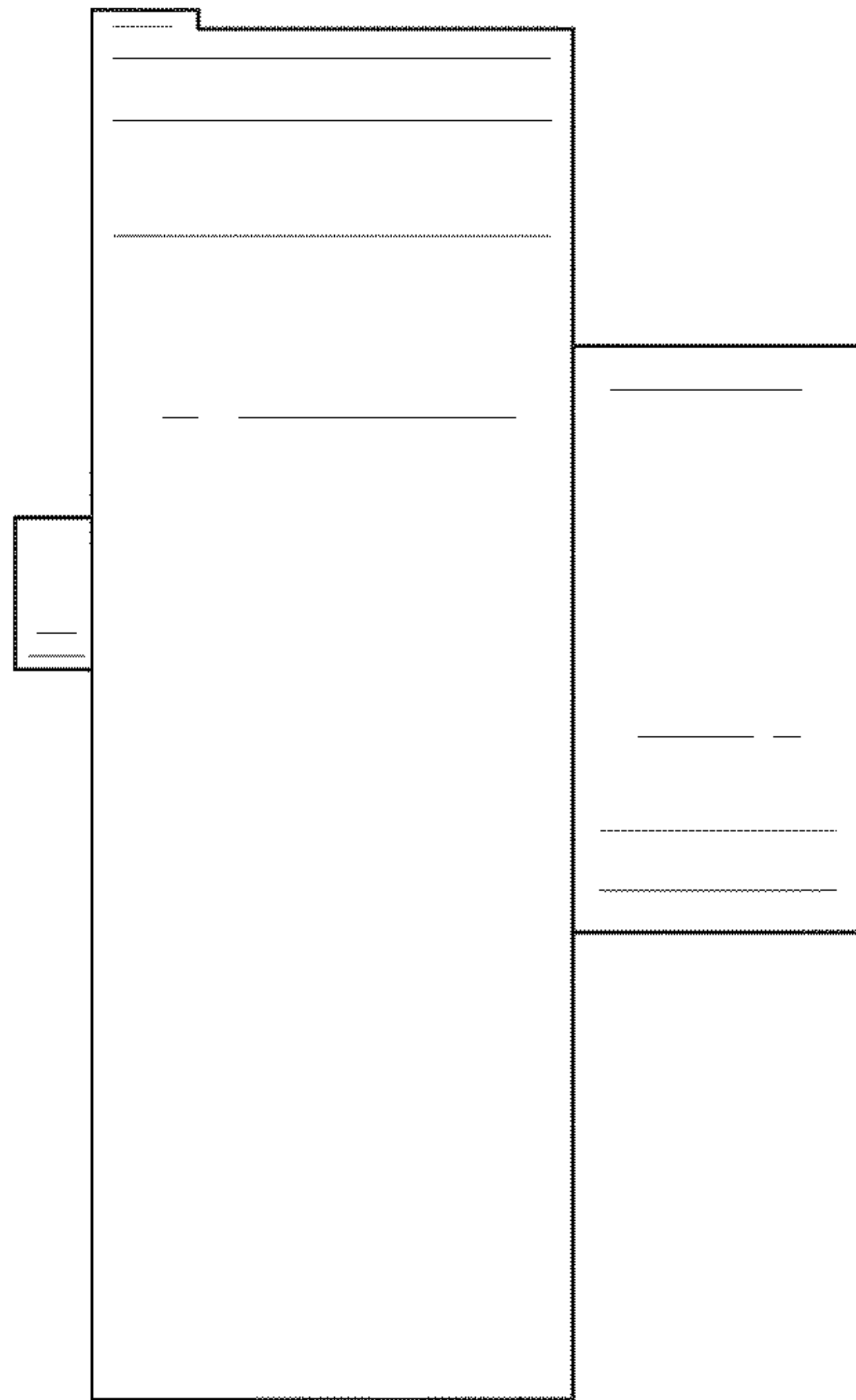


FIG. 7

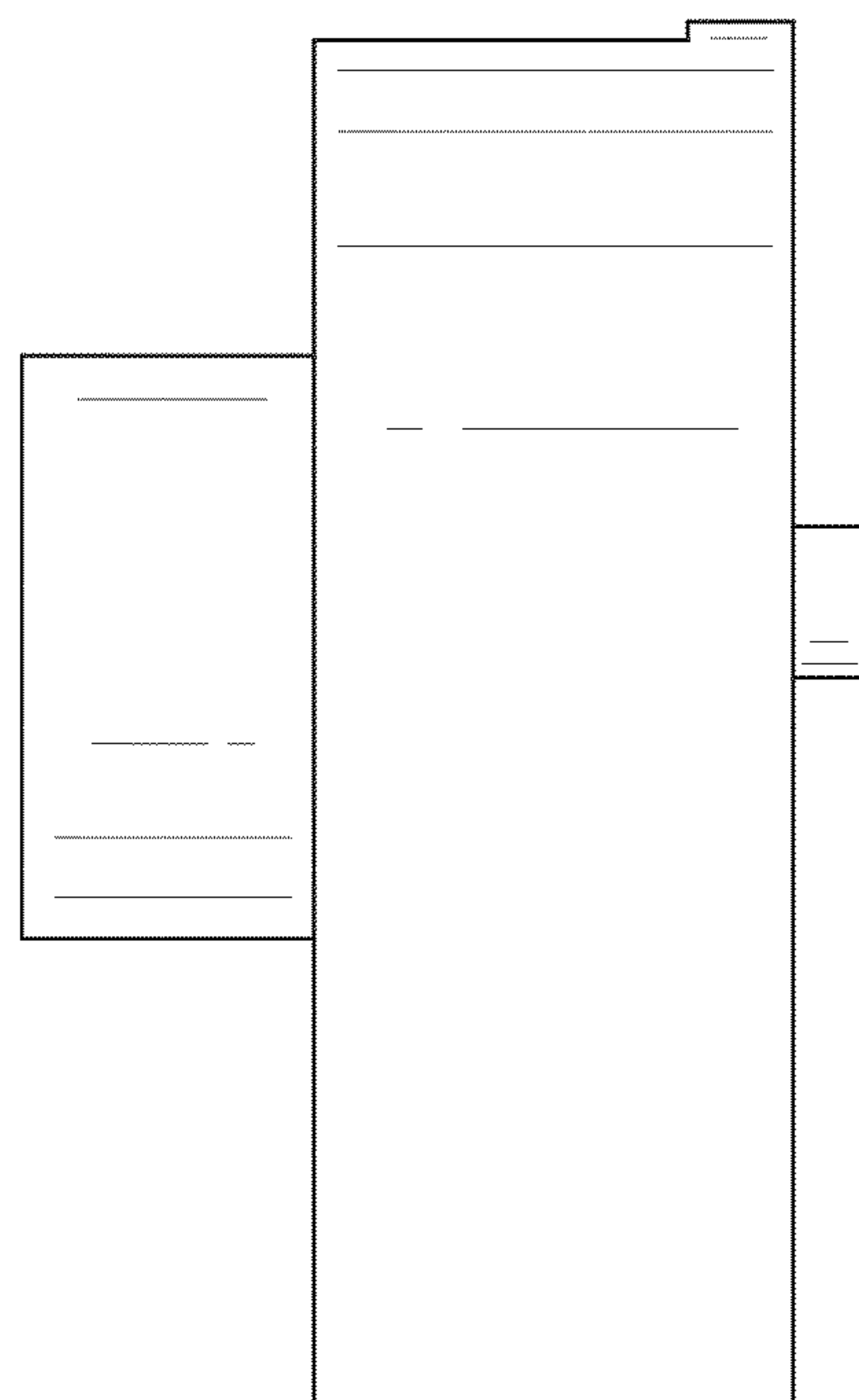


FIG. 8

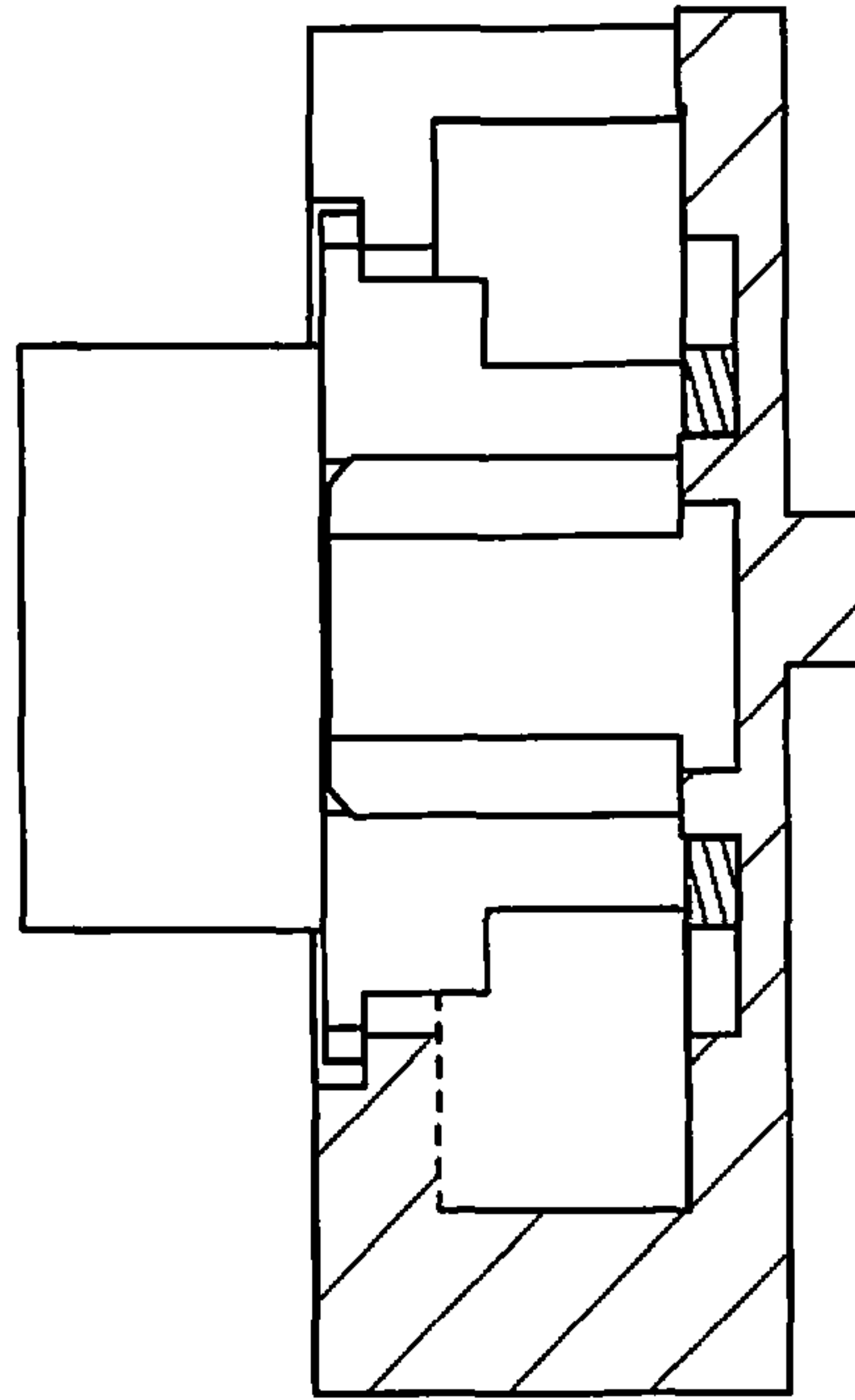


FIG. 9

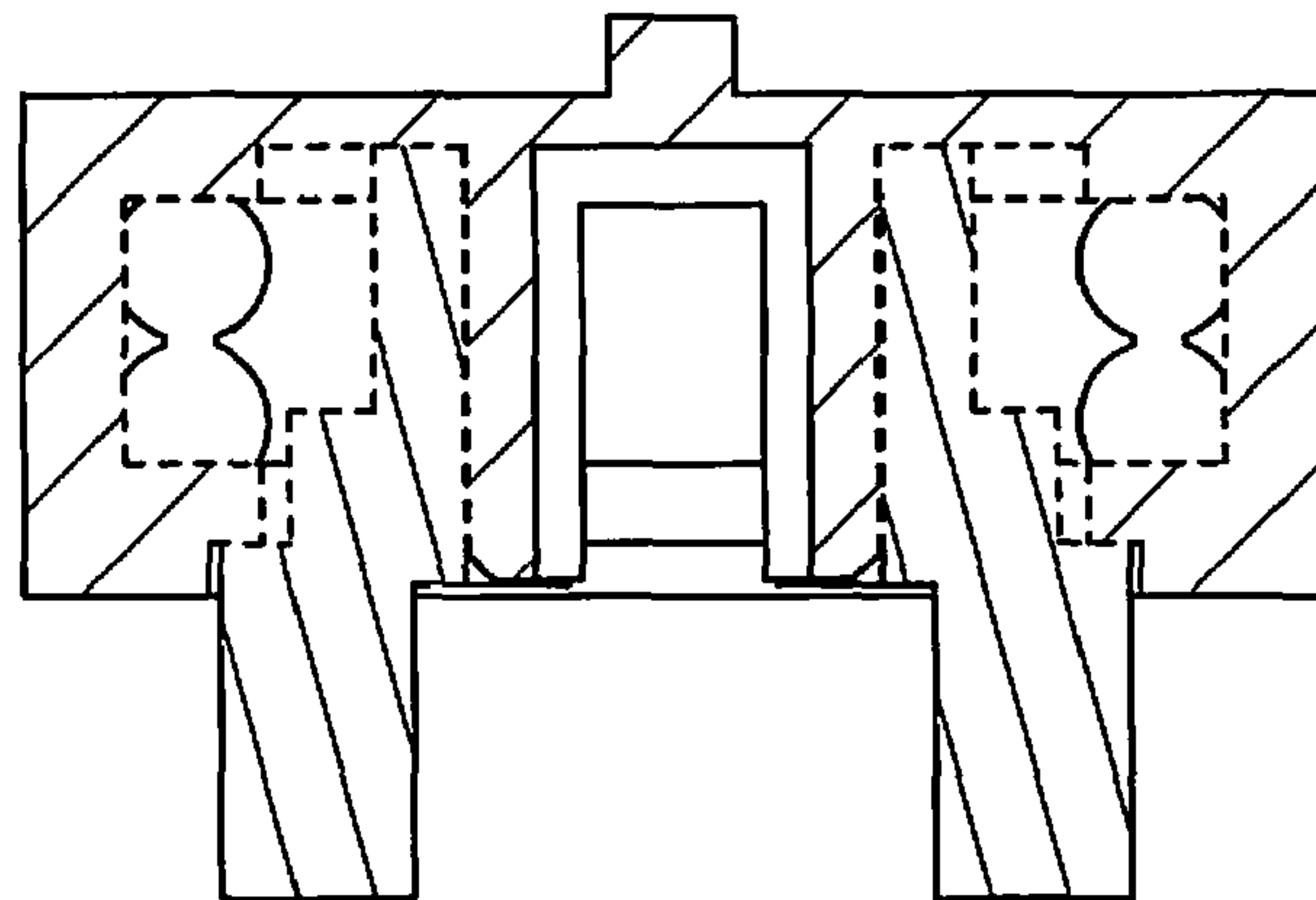


FIG. 10

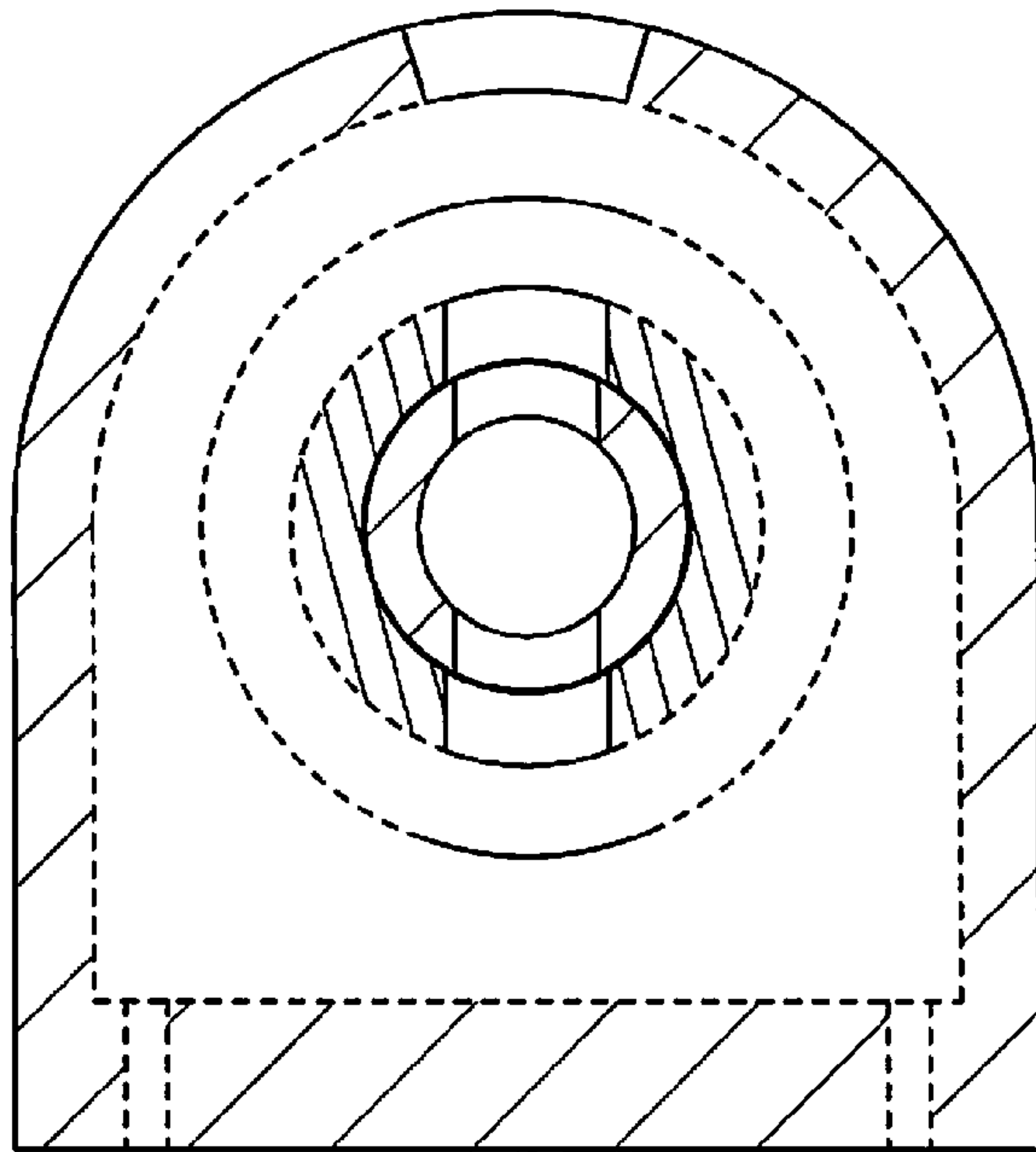


FIG. 11

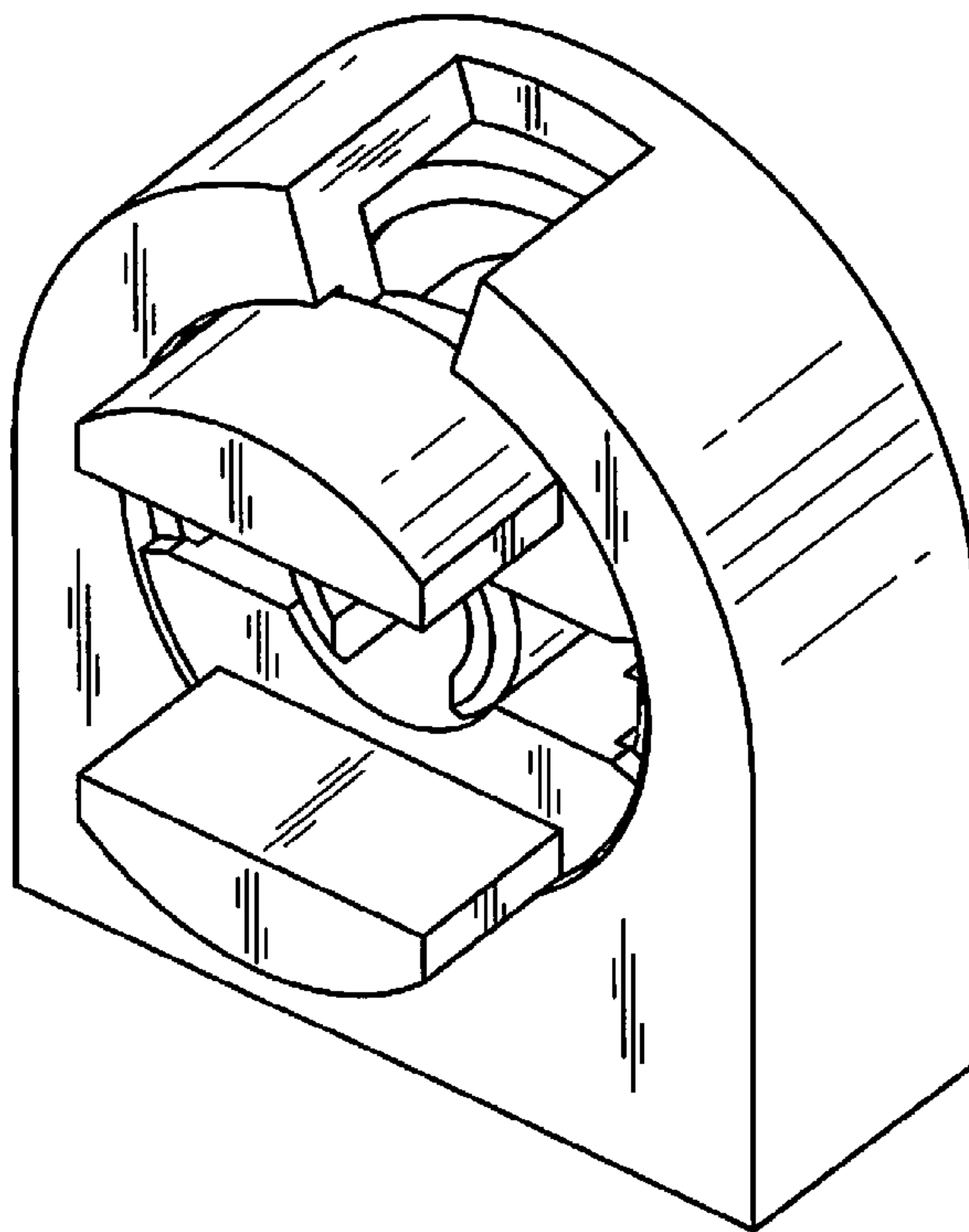


FIG. 12