



US00D651970S

(12) **United States Design Patent**  
**Turk et al.**

(10) **Patent No.:** **US D651,970 S**  
(45) **Date of Patent:** **\*\* Jan. 10, 2012**

(54) **CROSS BRACKET SUPPORT FOR A  
CONCENTRATING PHOTOVOLTAIC  
SYSTEM MODULE**

D564,958 S \* 3/2008 Almy et al. .... D13/102  
D585,365 S \* 1/2009 Gort et al. .... D13/102  
D599,734 S \* 9/2009 Erasmus .... D13/102

\* cited by examiner

(76) Inventors: **Michael F. Turk**, Los Angeles, CA (US);  
**Robin D. Johnson**, Lawndale, CA (US);  
**Richard J. Russell**, La Crescenta, CA  
(US)

*Primary Examiner* — Derrick Holland

(\*\*) Term: **14 Years**

(57) **CLAIM**

The ornamental design for a cross bracket support for a concentrating photovoltaic system module, as shown and described.

(21) Appl. No.: **29/401,060**

(22) Filed: **Sep. 6, 2011**

**DESCRIPTION**

(51) **LOC (9) Cl.** ..... **13-02**

(52) **U.S. Cl.** ..... **D13/102**

(58) **Field of Classification Search** ..... D13/102,  
D13/118, 184, 199; D6/512, 574; D8/349,  
D8/354, 373, 380, 381, 396; D15/5, 199;  
136/243, 246, 251, 259; 439/76.1

See application file for complete search history.

FIG. 1 is a top front perspective view of a cross bracket support for a concentrating photovoltaic system module showing our new design in environmental use; FIG. 2 is a left side elevation view thereof; FIG. 3 is a right side elevation view thereof; FIG. 4 is a front elevation view thereof; FIG. 5 is a rear elevation view thereof; FIG. 6 is a top plan view thereof; FIG. 7 is a bottom plan view thereof; and, FIG. 8 is a rear perspective view thereof.

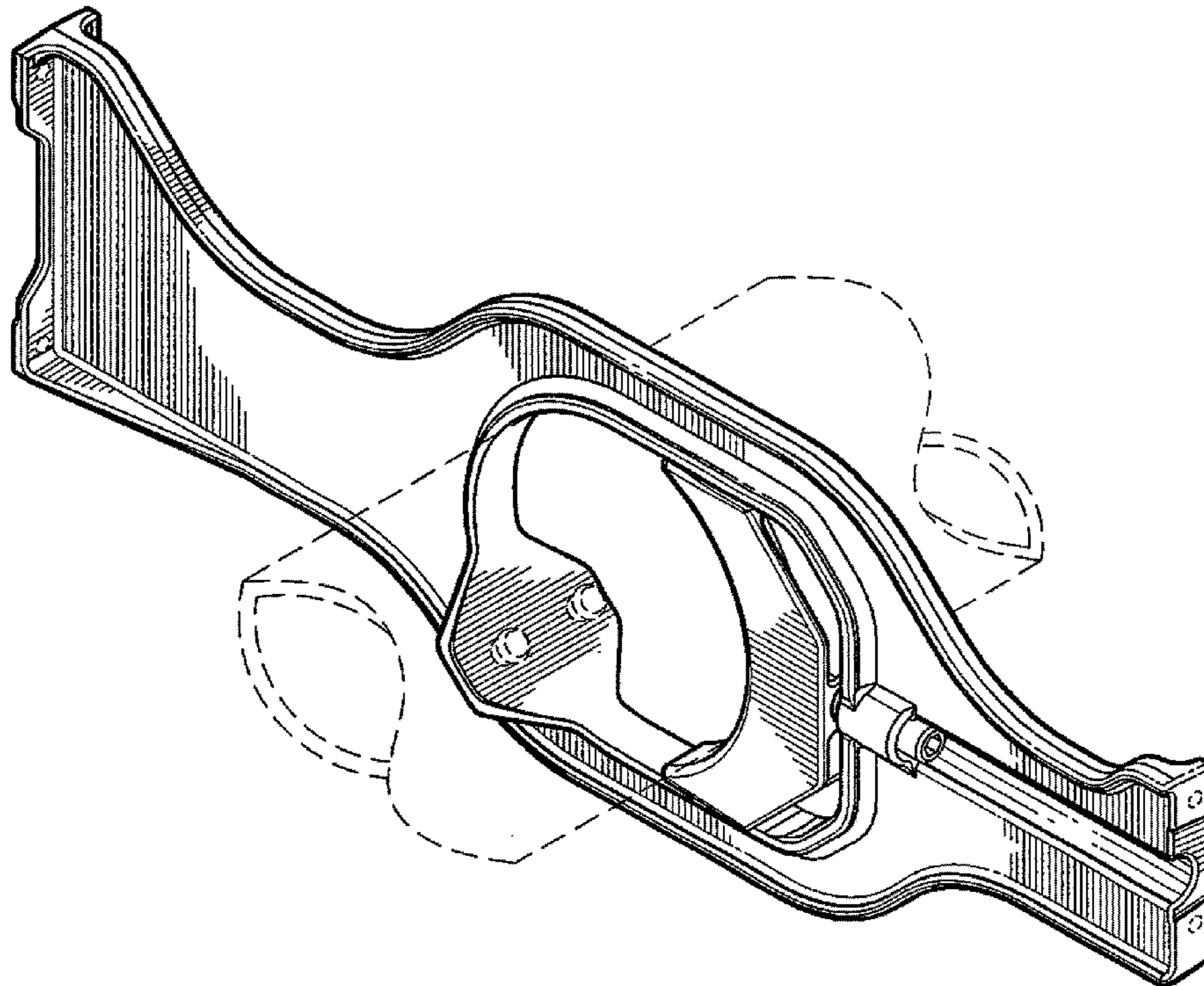
The broken lines shown represent unclaimed subject matter and form no part of the claimed design.

(56) **References Cited**

**U.S. PATENT DOCUMENTS**

D222,578 S \* 11/1971 Walker et al. .... D8/373  
D270,660 S \* 9/1983 Ort ..... D13/102  
4,636,577 A \* 1/1987 Peterpaul ..... 136/206  
D547,262 S \* 7/2007 Ullman ..... D13/102

**1 Claim, 6 Drawing Sheets**



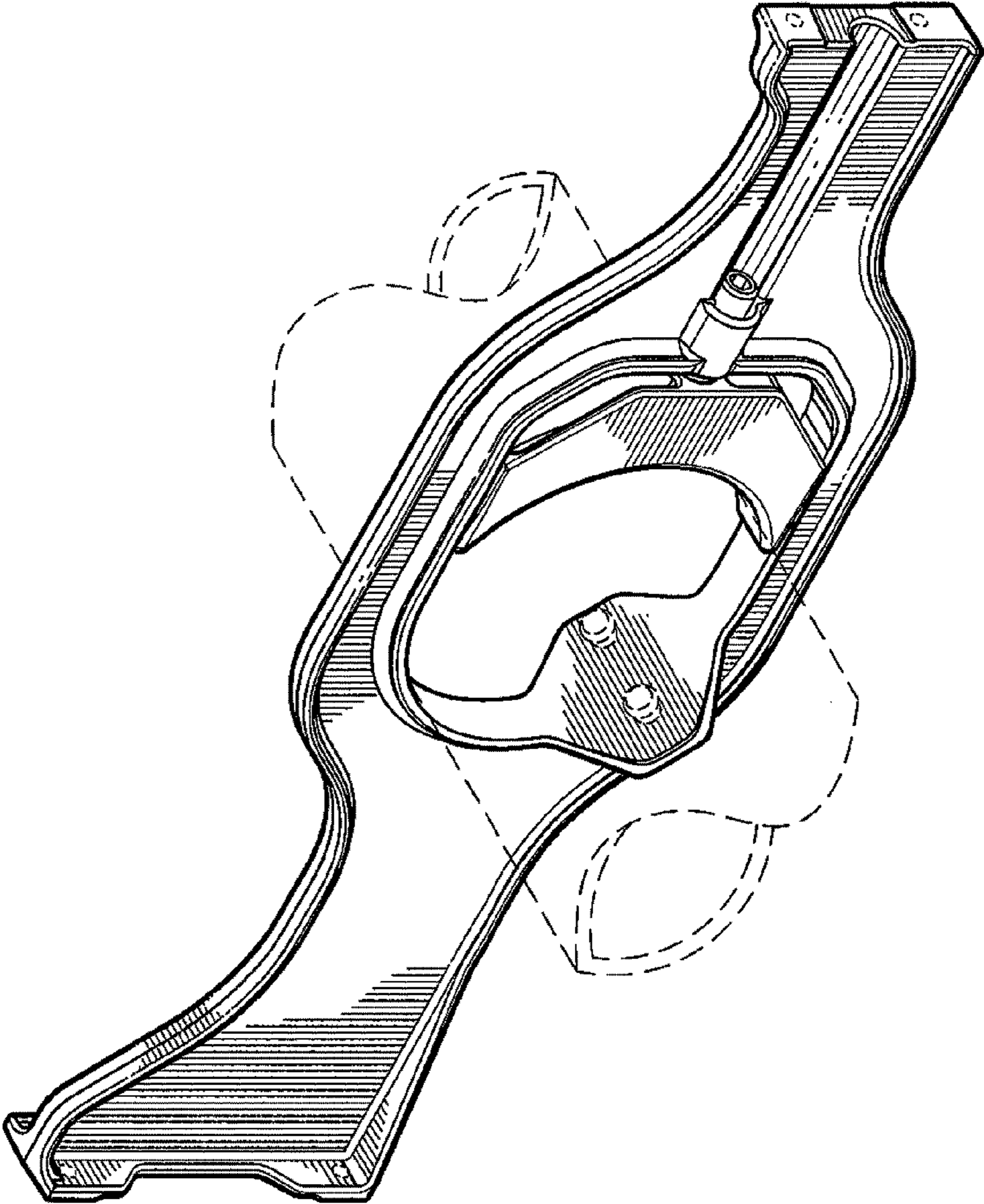


FIG. 1

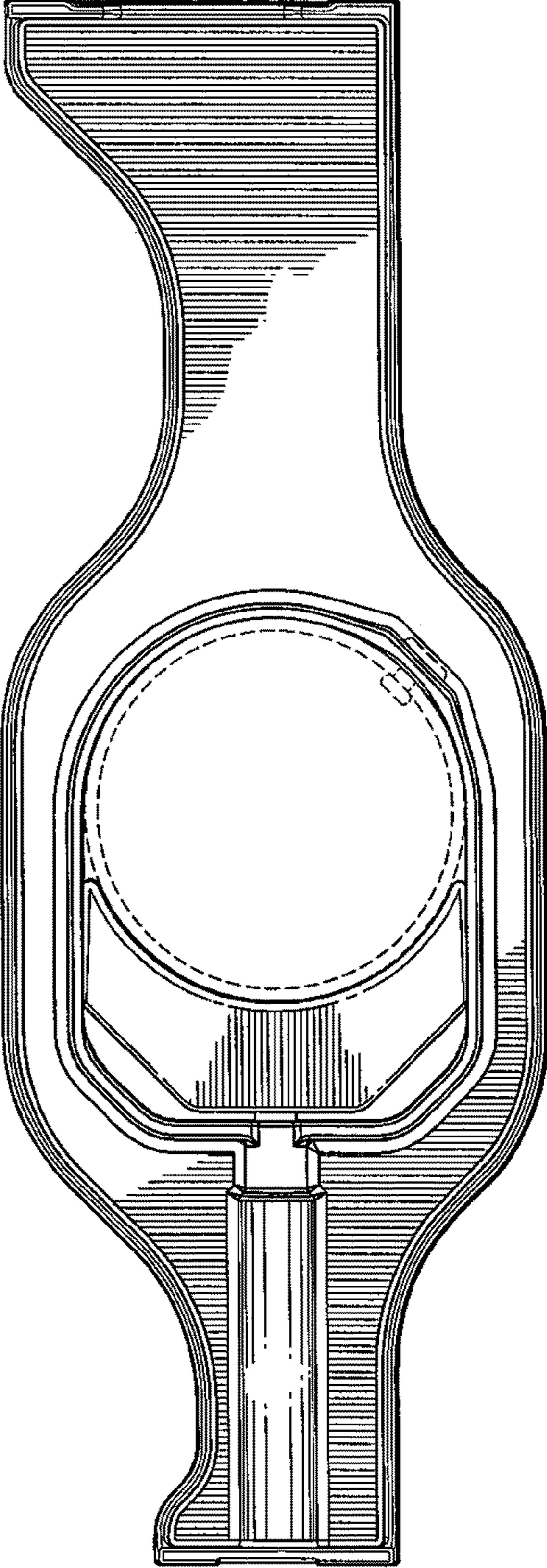


FIG. 2

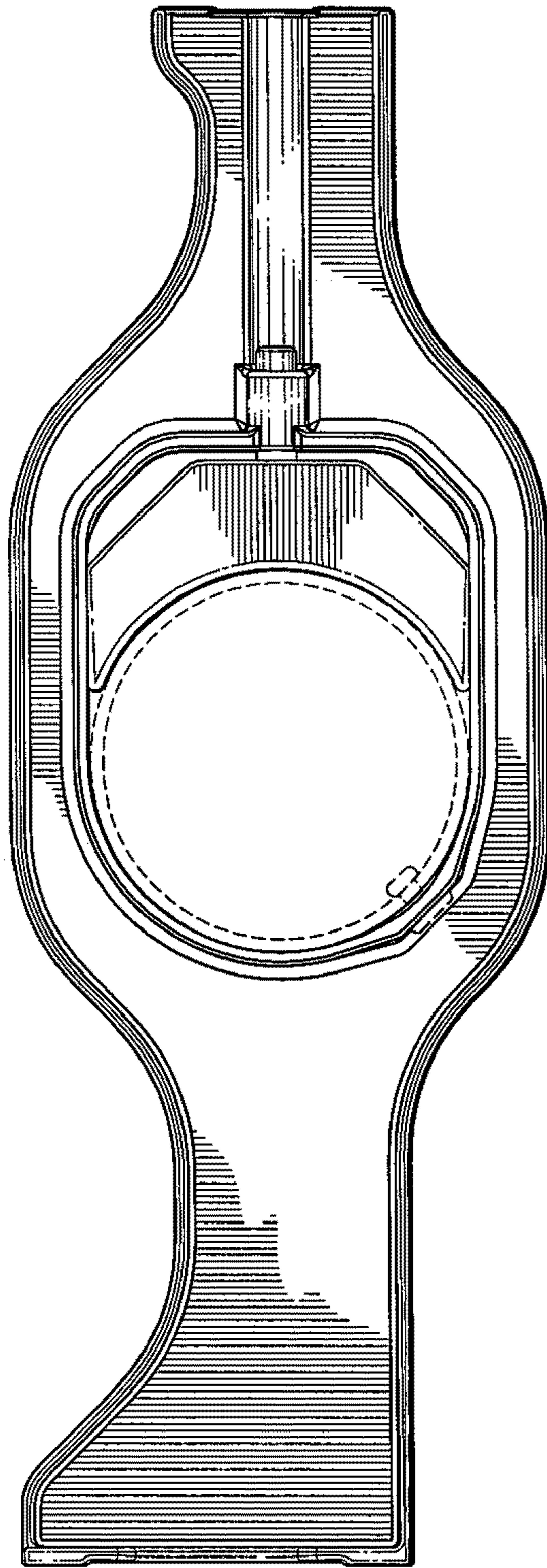


FIG. 3

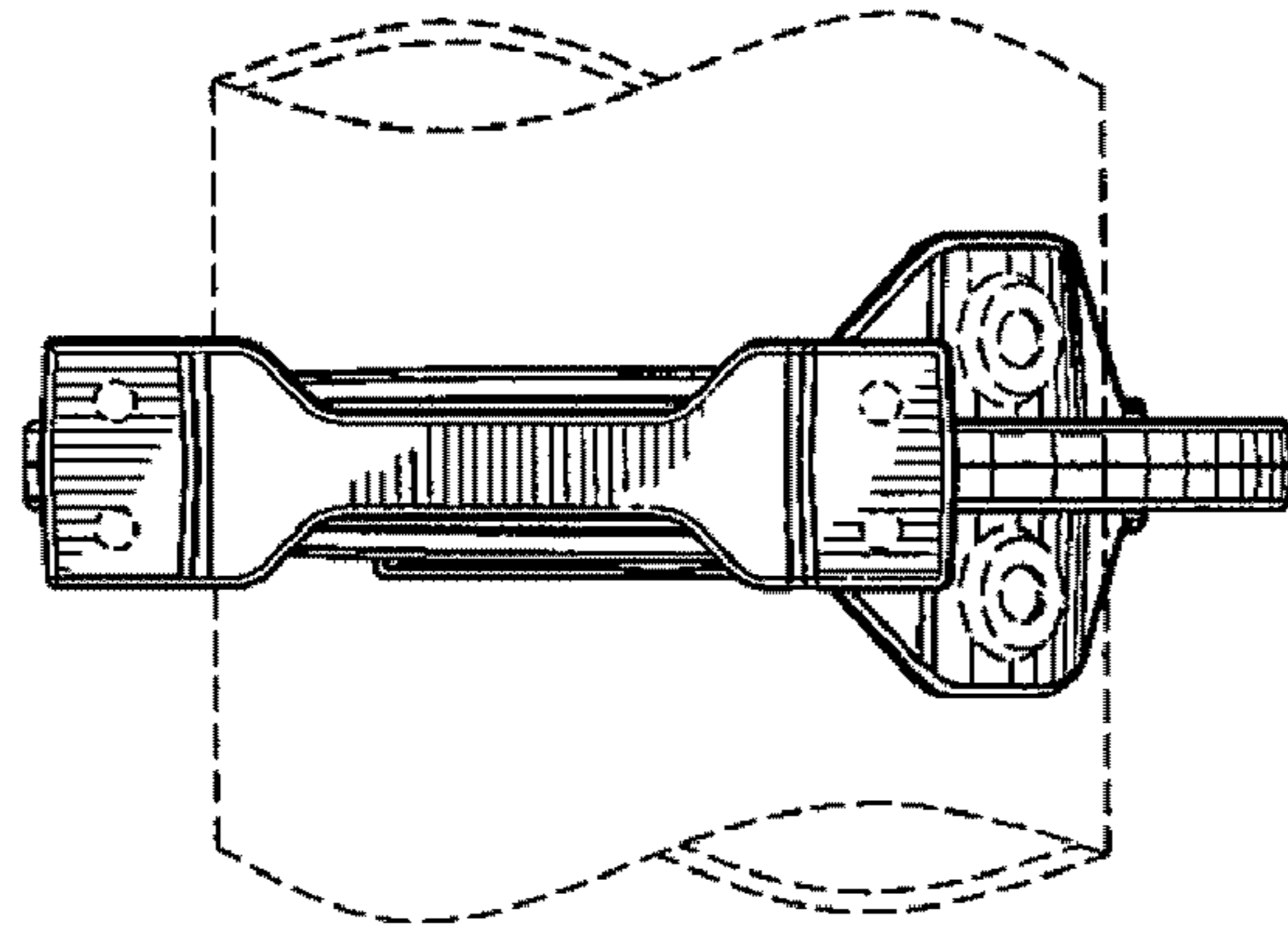


FIG. 5

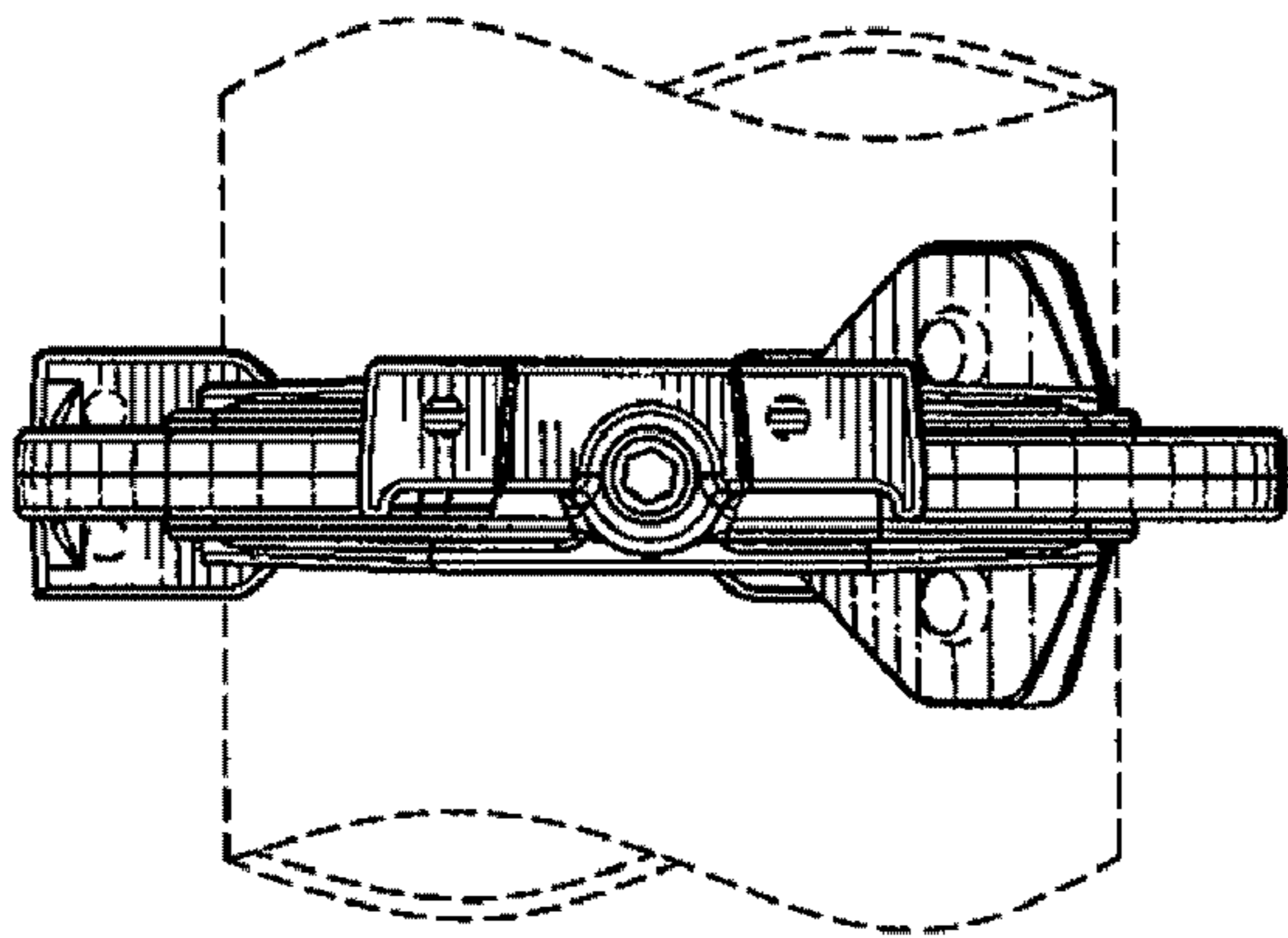


FIG. 4

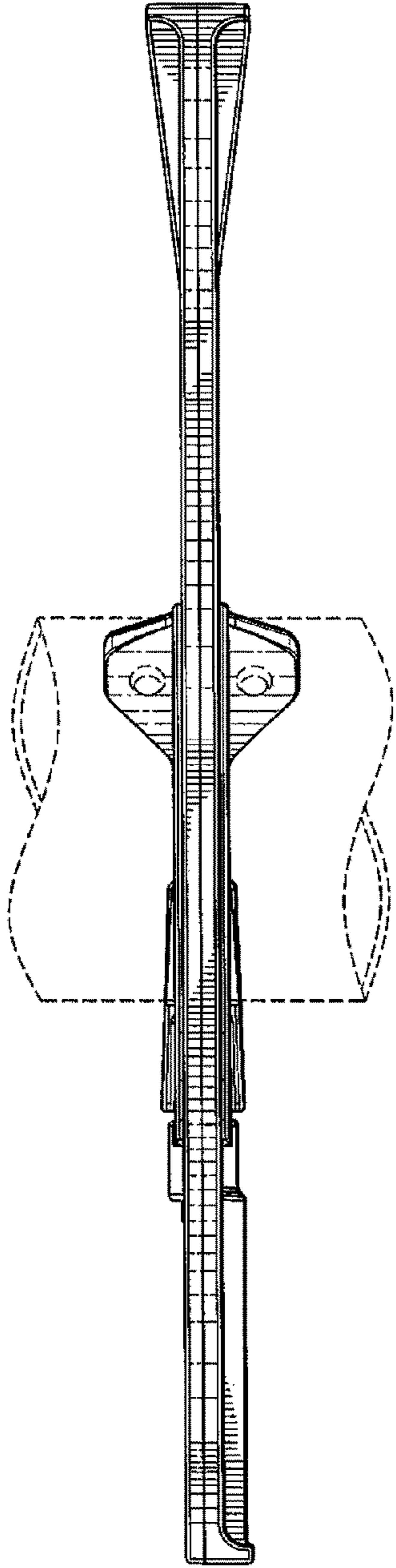


FIG. 6

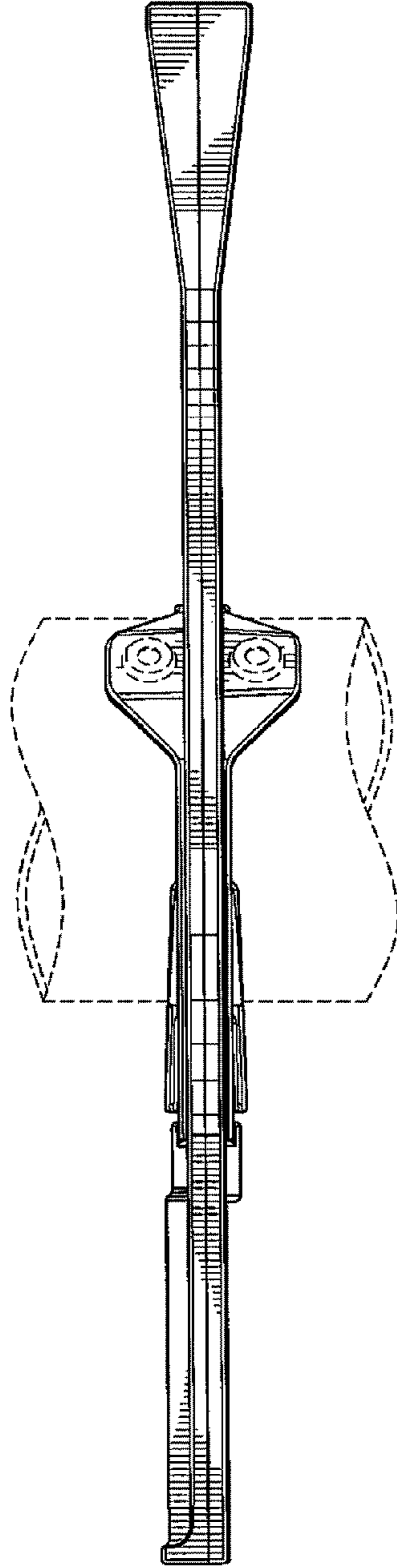


FIG. 7

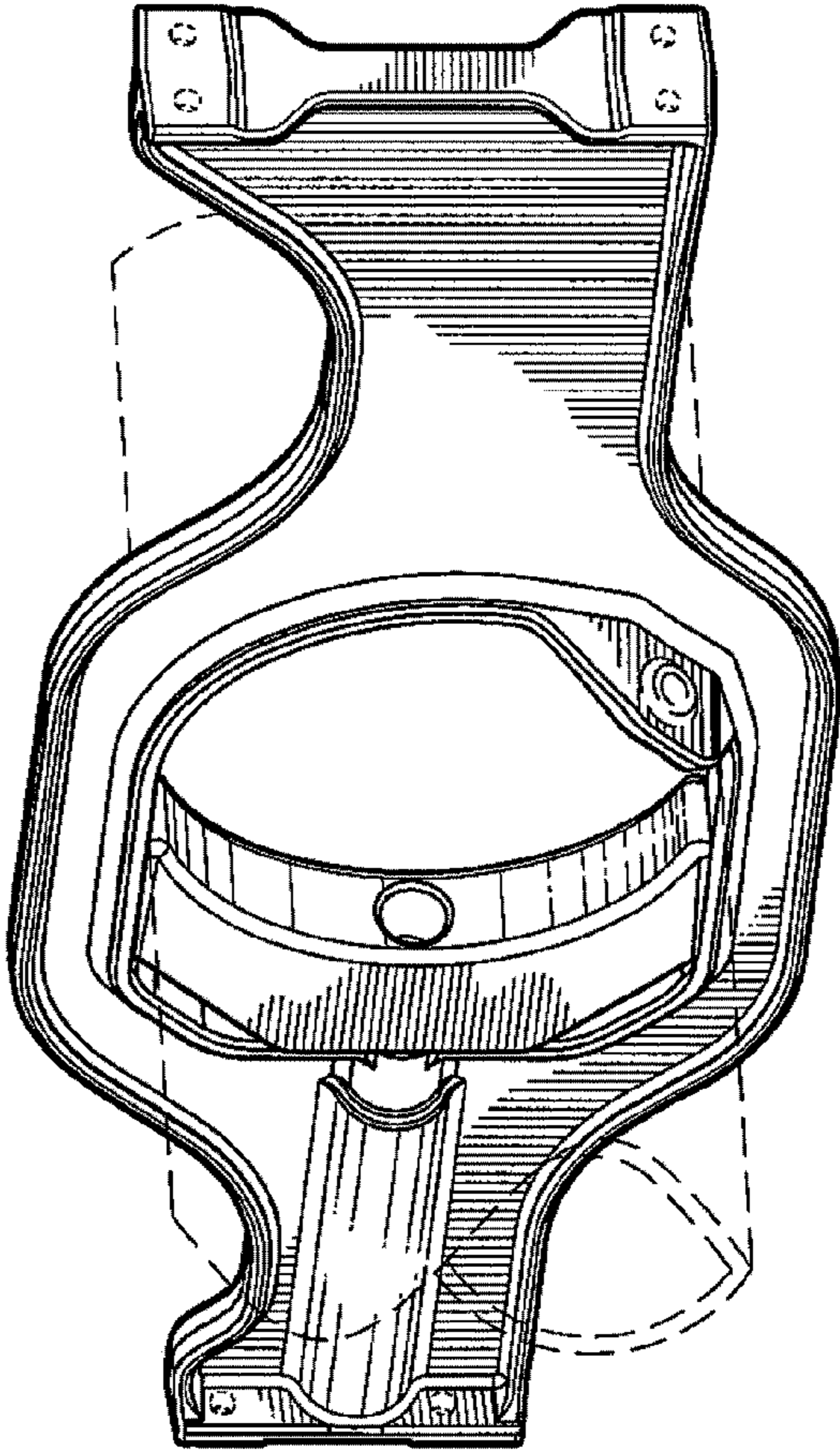


FIG. 8