



US00D651969S

(12) **United States Design Patent**
Turk et al.

(10) **Patent No.:** **US D651,969 S**
(45) **Date of Patent:** **** Jan. 10, 2012**

(54) **CROSS BRACKET SUPPORT FOR A
CONCENTRATING PHOTOVOLTAIC
SYSTEM MODULE**

D564,958 S * 3/2008 Almy et al. D13/102
D585,365 S * 1/2009 Gort et al. D13/102
D599,734 S * 9/2009 Erasmus D13/102

* cited by examiner

(76) Inventors: **Michael F. Turk**, Los Angeles, CA (US);
Robin D. Johnson, Lawndale, CA (US)

Primary Examiner — Derrick Holland

(**) Term: **14 Years**

(57) **CLAIM**

The ornamental design for a cross bracket support for a concentrating photovoltaic system module, as shown and described.

(21) Appl. No.: **29/400,544**

(22) Filed: **Aug. 30, 2011**

DESCRIPTION

(51) **LOC (9) Cl.** **13-02**

(52) **U.S. Cl.** **D13/102**

(58) **Field of Classification Search** D13/102,
D13/118, 184, 199; D6/512, 574; D8/349,
D8/354, 373, 380, 381, 396; D15/5, 199;
136/243, 246, 251, 259; 439/76.1

See application file for complete search history.

FIG. 1 is a top front perspective view of a cross bracket support for a concentrating photovoltaic system module showing our new design in environmental use;

FIG. 2 is a left side elevation view thereof;

FIG. 3 is a right side elevation view thereof;

FIG. 4 is a front elevation view thereof;

FIG. 5 is a rear elevation view thereof

FIG. 6 is a top plan view thereof;

FIG. 7 is a bottom plan view thereof; and,

FIG. 8 is a rear perspective view thereof.

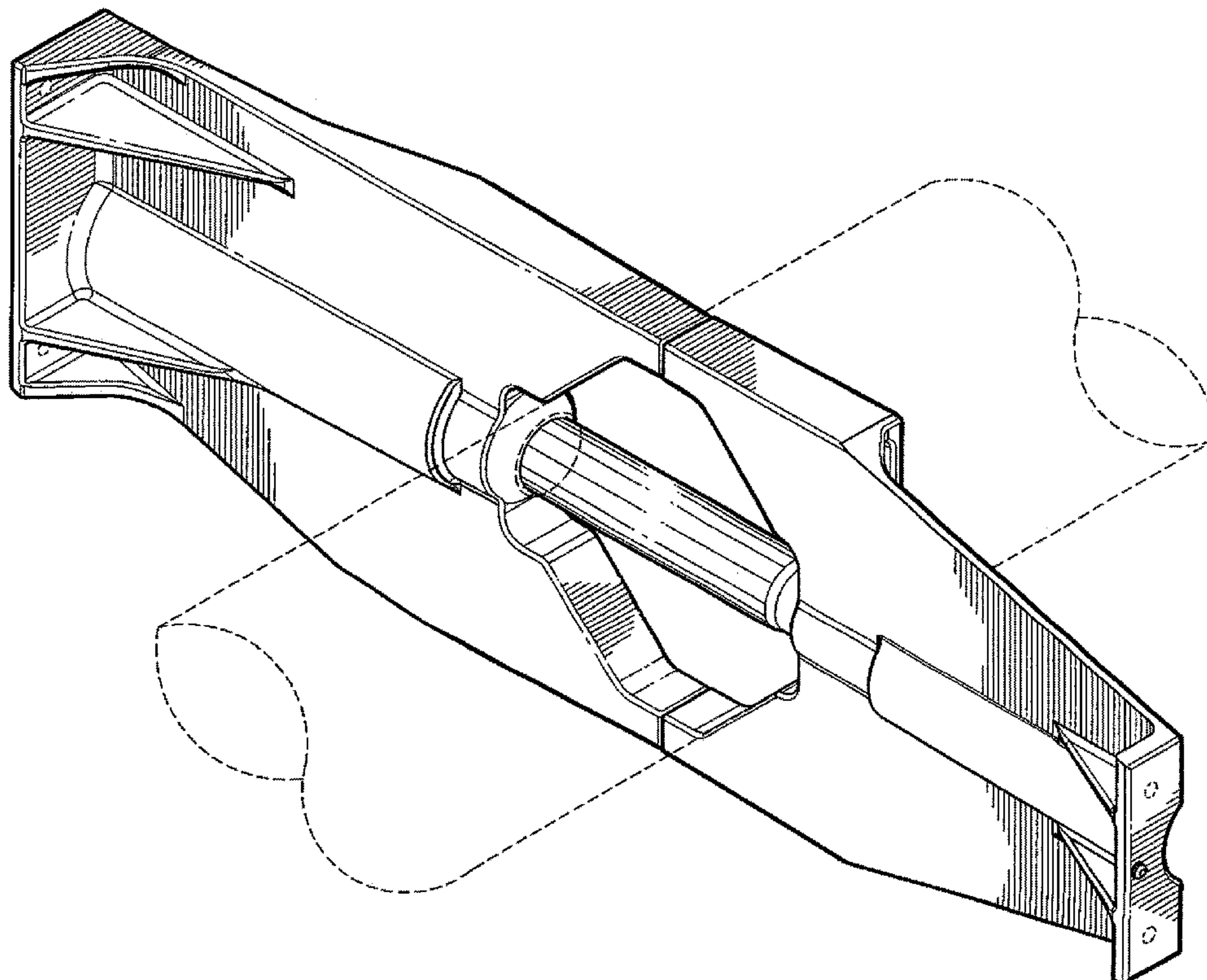
The broken lines shown represent unclaimed subject matter and form no part of the claimed design.

(56) **References Cited**

U.S. PATENT DOCUMENTS

D222,578 S * 11/1971 Walker et al. D8/373
D270,660 S * 9/1983 Ort D13/102
4,636,577 A * 1/1987 Peterpaul 136/206
D547,262 S * 7/2007 Ullman D13/102

1 Claim, 6 Drawing Sheets



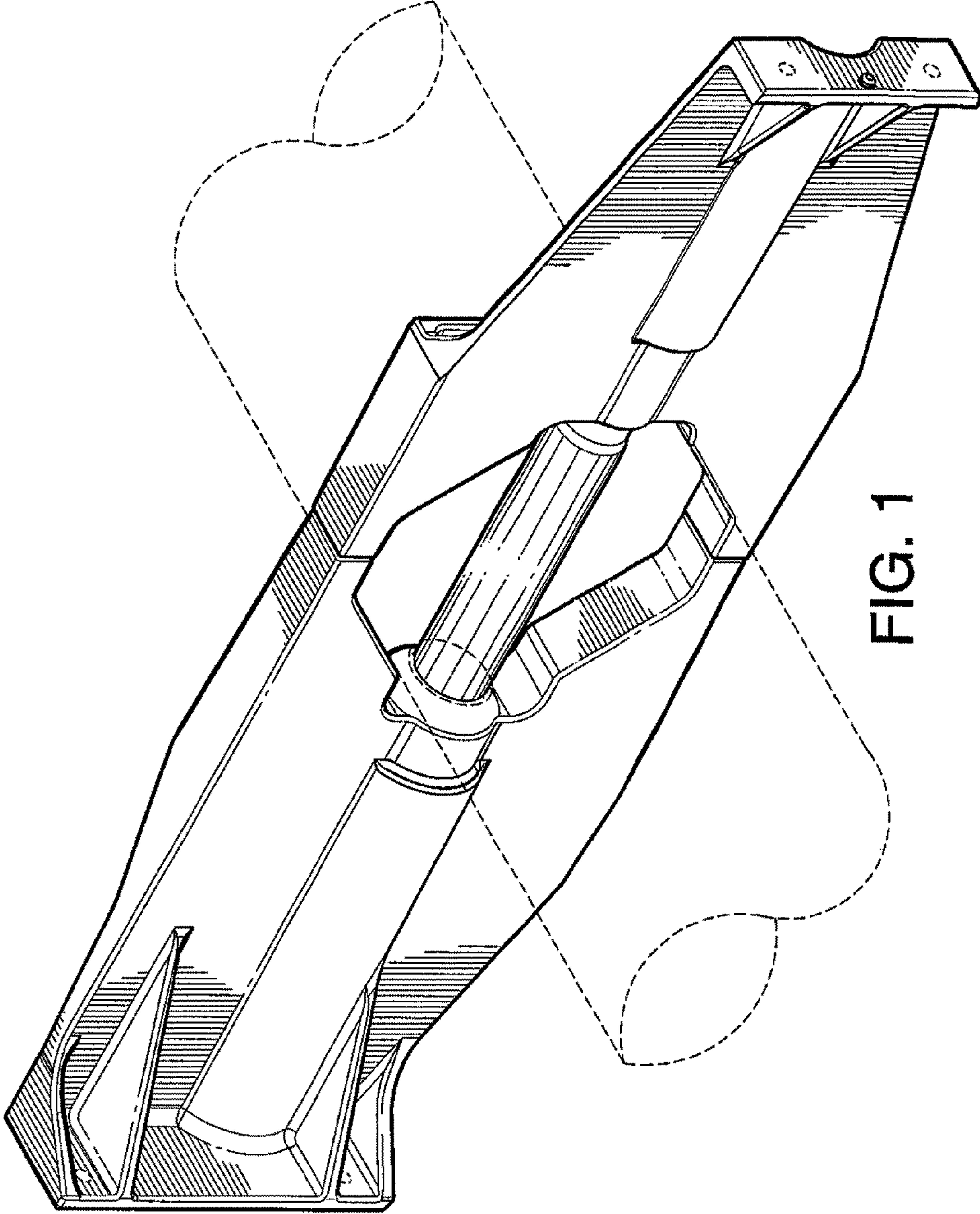


FIG. 1

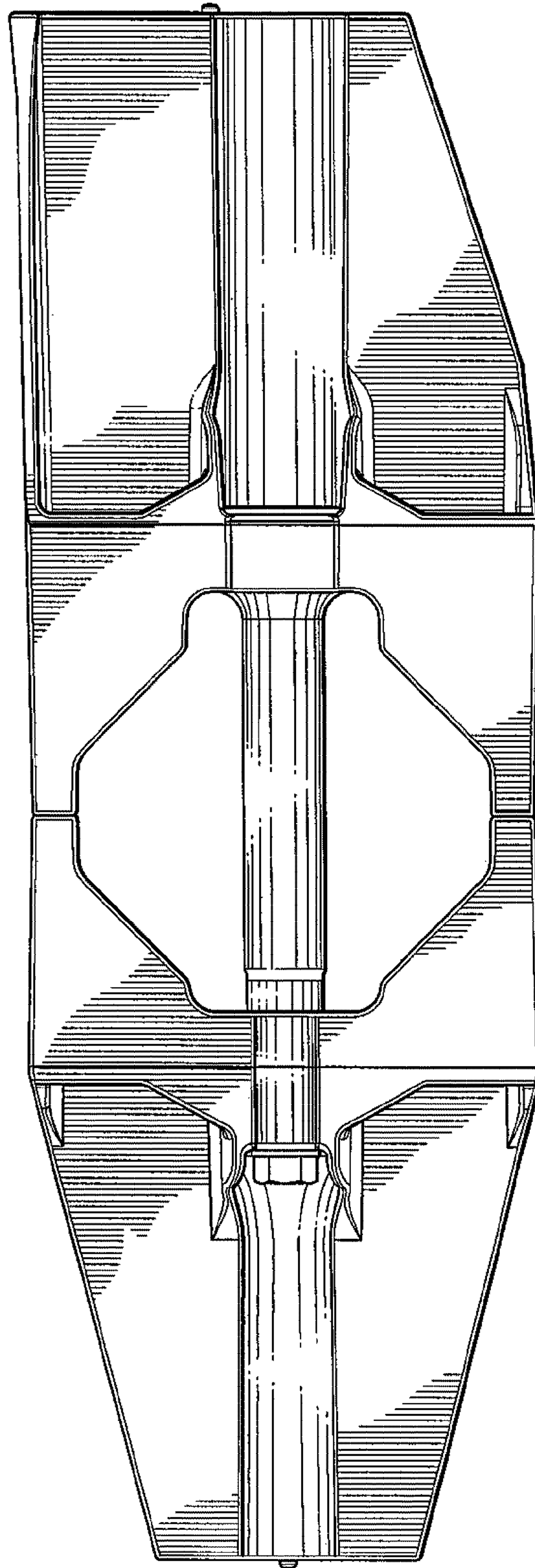


FIG. 2

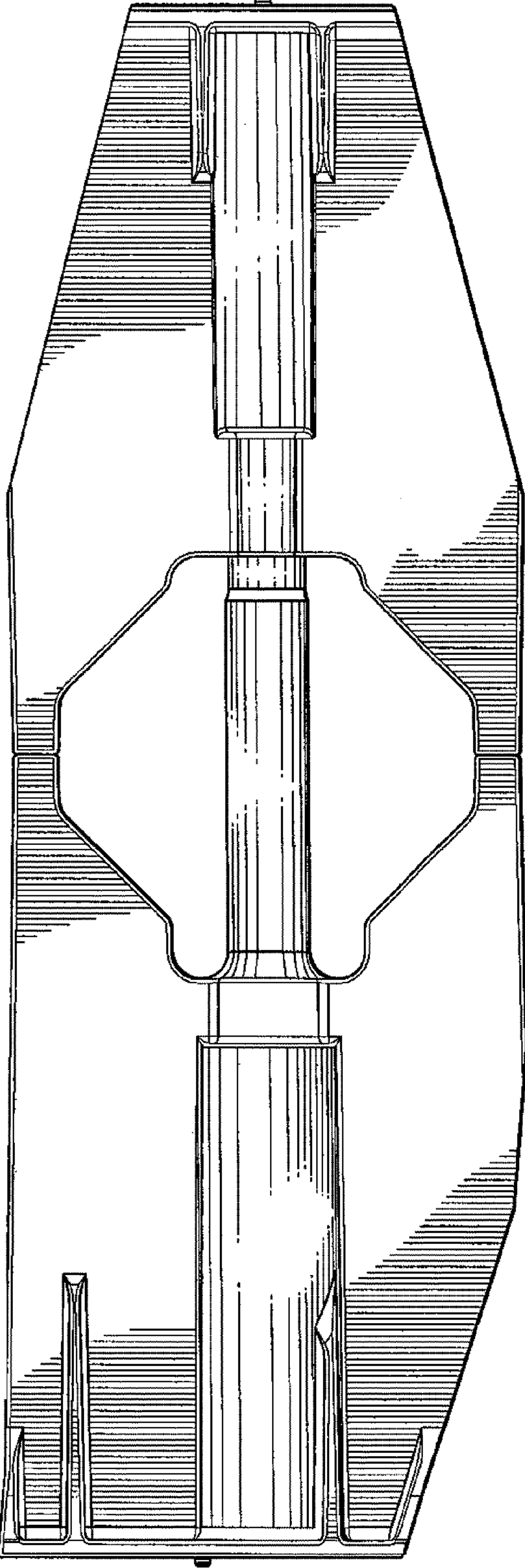


FIG. 3

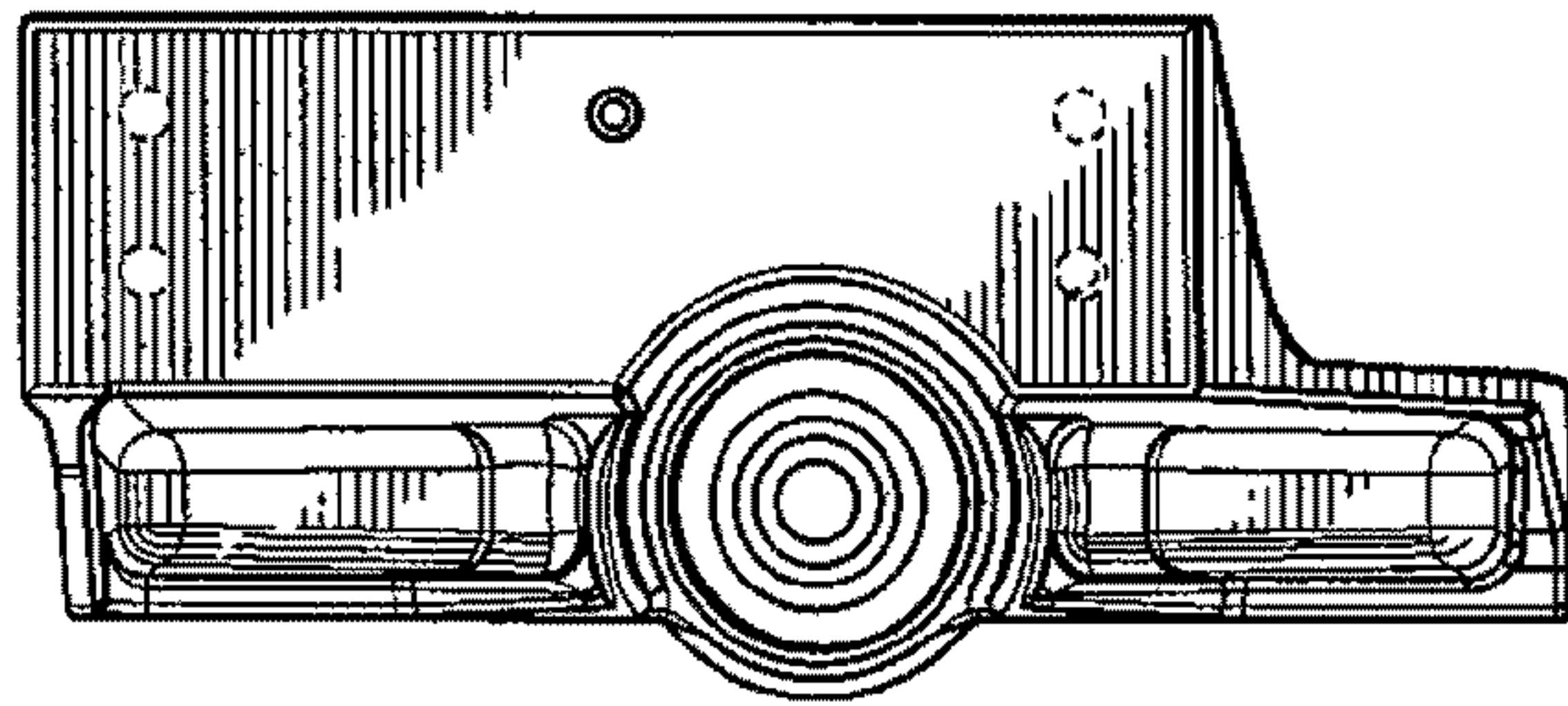


FIG. 5

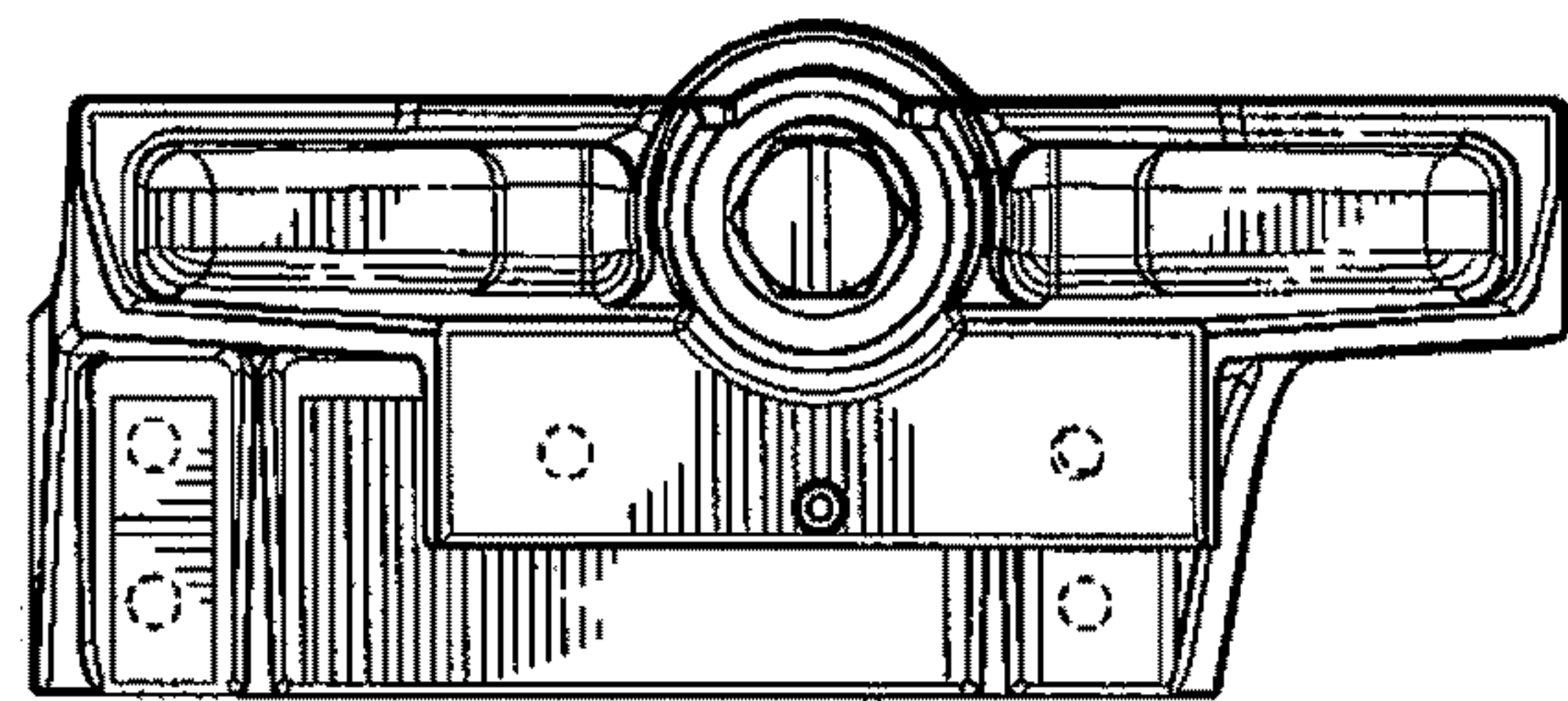


FIG. 4

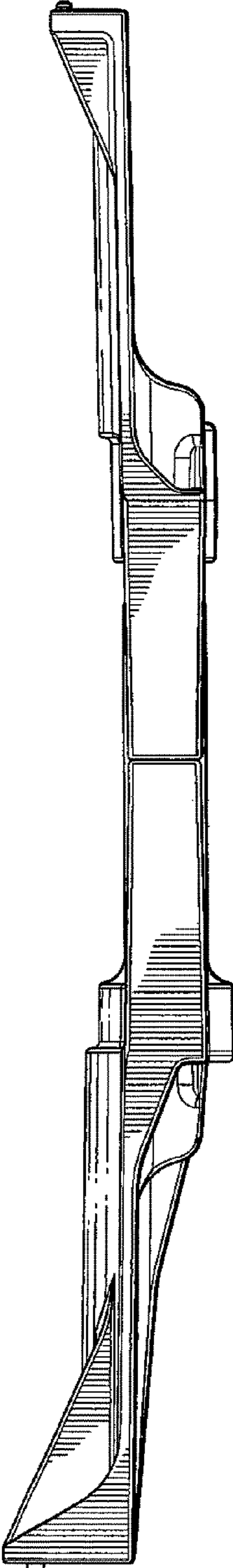


FIG. 6

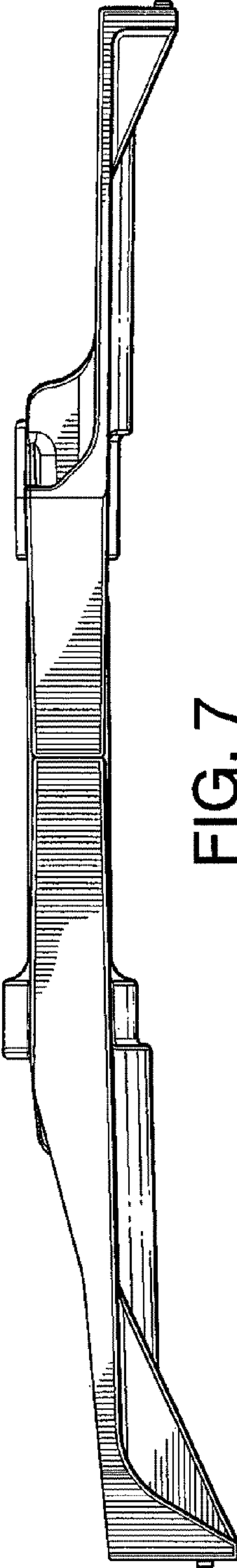


FIG. 7

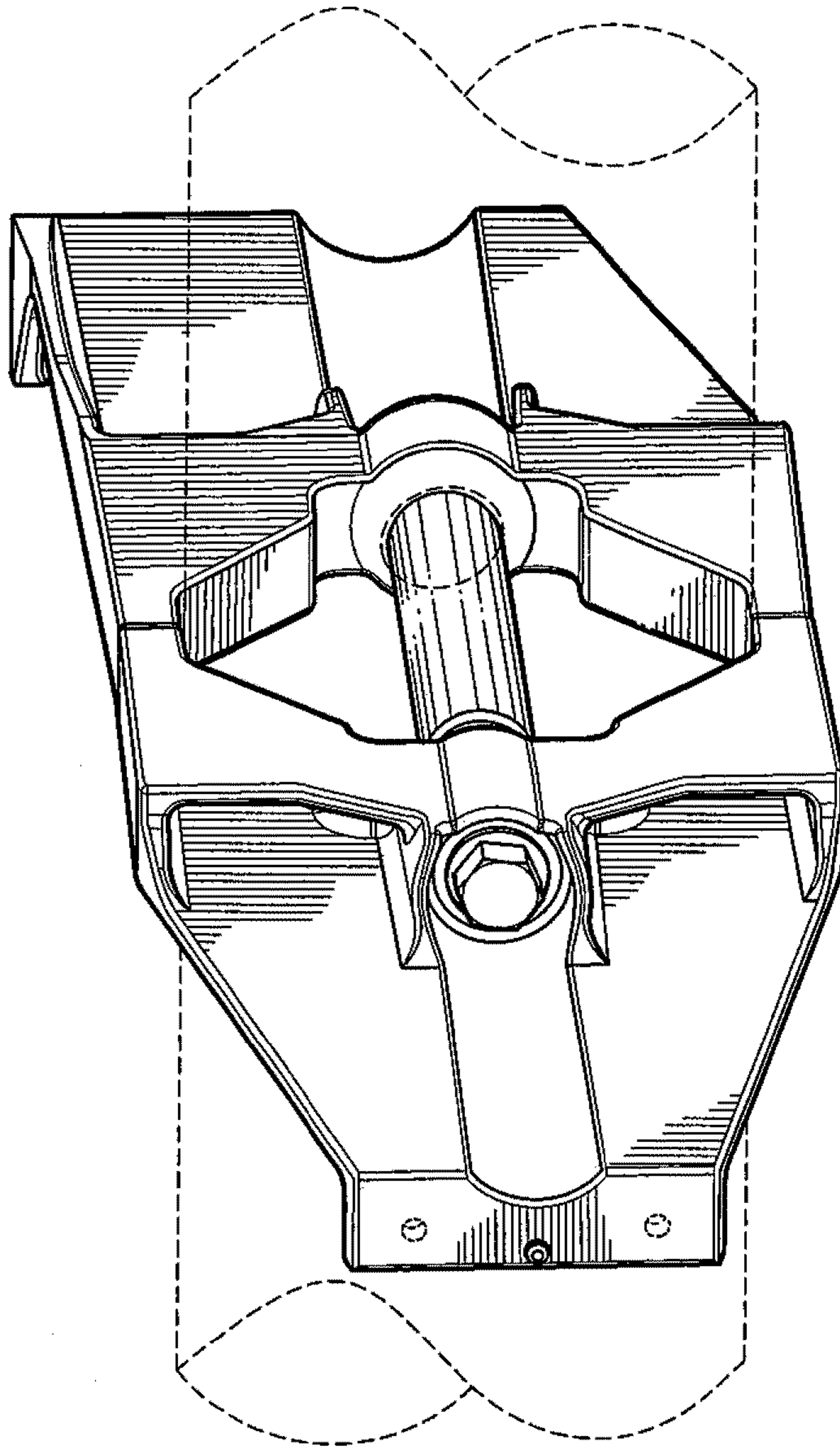


FIG. 8