



US00D651966S

(12) **United States Design Patent**
Hwang et al.

(10) **Patent No.:** **US D651,966 S**
(45) **Date of Patent:** **** Jan. 10, 2012**

- (54) **VEHICLE CENTER CONSOLE**
- (75) Inventors: **Lawrence Hwang**, Cerritos, CA (US);
Jesus Armando Chavez, Huntington Beach, CA (US)
- (73) Assignee: **Honda Motor Co., Ltd.**, Tokyo (JP)
- (**) Term: **14 Years**
- (21) Appl. No.: **29/363,646**
- (22) Filed: **Jun. 11, 2010**
- (51) **LOC (9) Cl.** **12-06**
- (52) **U.S. Cl.** **D12/419**
- (58) **Field of Classification Search** D12/415-420;
296/36, 37.1, 37.8, 411.23, 411.26, 37.13-37.16;
22/539; 224/404; D7/619.1, 625, 509, 701
See application file for complete search history.

- D444,120 S * 6/2001 Smith D12/419
- D478,102 S * 8/2003 Utsugi D15/83
- D490,044 S * 5/2004 Smith D12/419
- D500,982 S * 1/2005 Smith D12/419
- D534,480 S * 1/2007 Fraser et al. D12/419
- D535,937 S * 1/2007 Vitito D12/421
- D598,362 S * 8/2009 Tan et al. D12/415

* cited by examiner

Primary Examiner — Caron D Veynar
Assistant Examiner — Katrina A Betton
(74) *Attorney, Agent, or Firm* — Plumsea Law Group, LLC;
Mark E. Duell

(57) **CLAIM**
The ornamental design for a vehicle center console, as shown and described.

DESCRIPTION

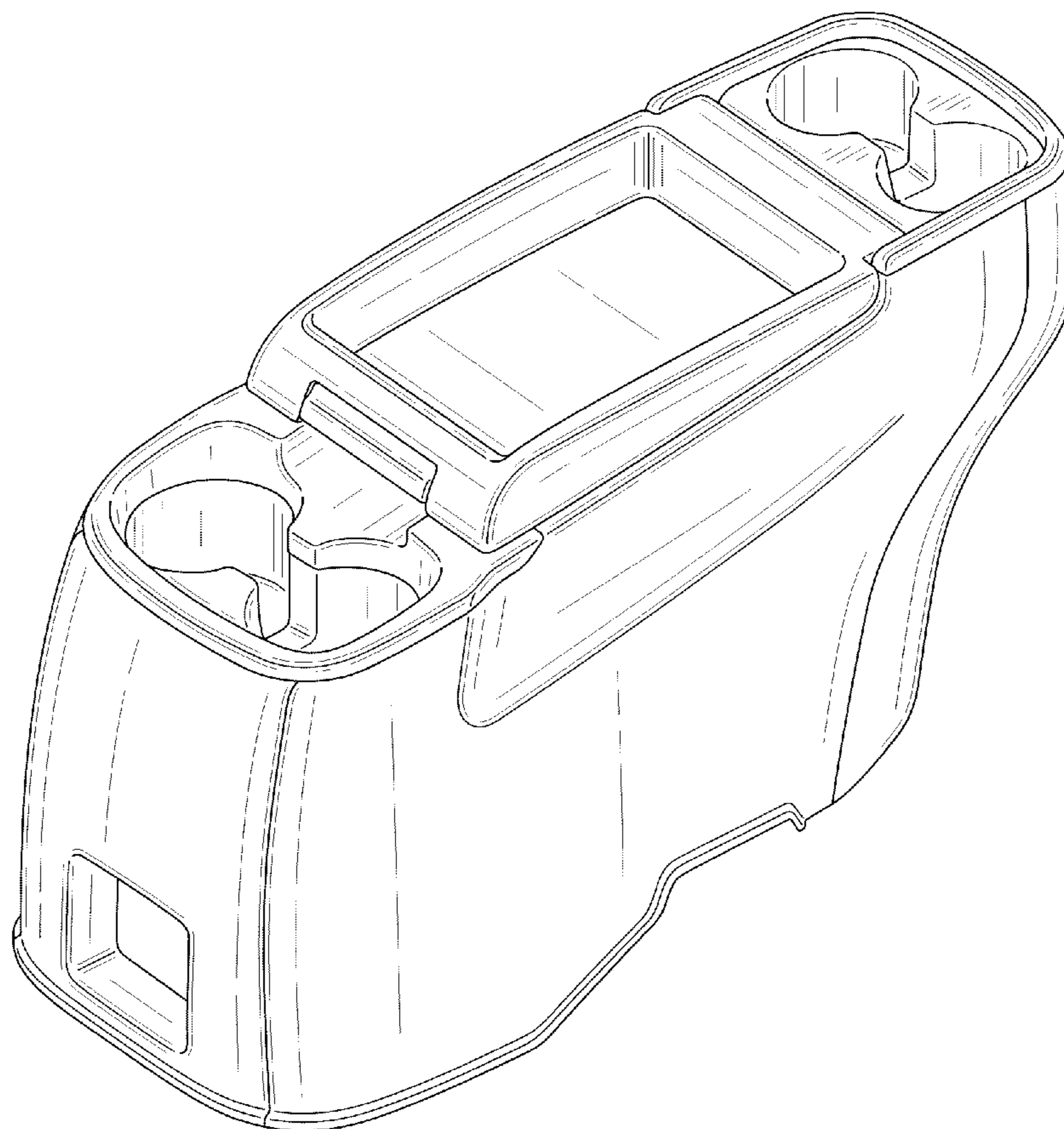
FIG. 1 is a frontal perspective view of a vehicle center console showing our new design;
FIG. 2 is a rear perspective view thereof;
FIG. 3 is a side elevational view, the opposite side elevational view being a mirror image thereof;
FIG. 4 is a front elevational view thereof; and,
FIG. 5 is a rear elevational view thereof.

1 Claim, 4 Drawing Sheets

(56) **References Cited**

U.S. PATENT DOCUMENTS

- D375,480 S * 11/1996 Smith D12/419
- D408,349 S * 4/1999 Smith D12/424
- D430,535 S * 9/2000 Smith D12/419
- D432,076 S * 10/2000 Stickles et al. D12/419
- D434,721 S * 12/2000 Lieberman D12/419



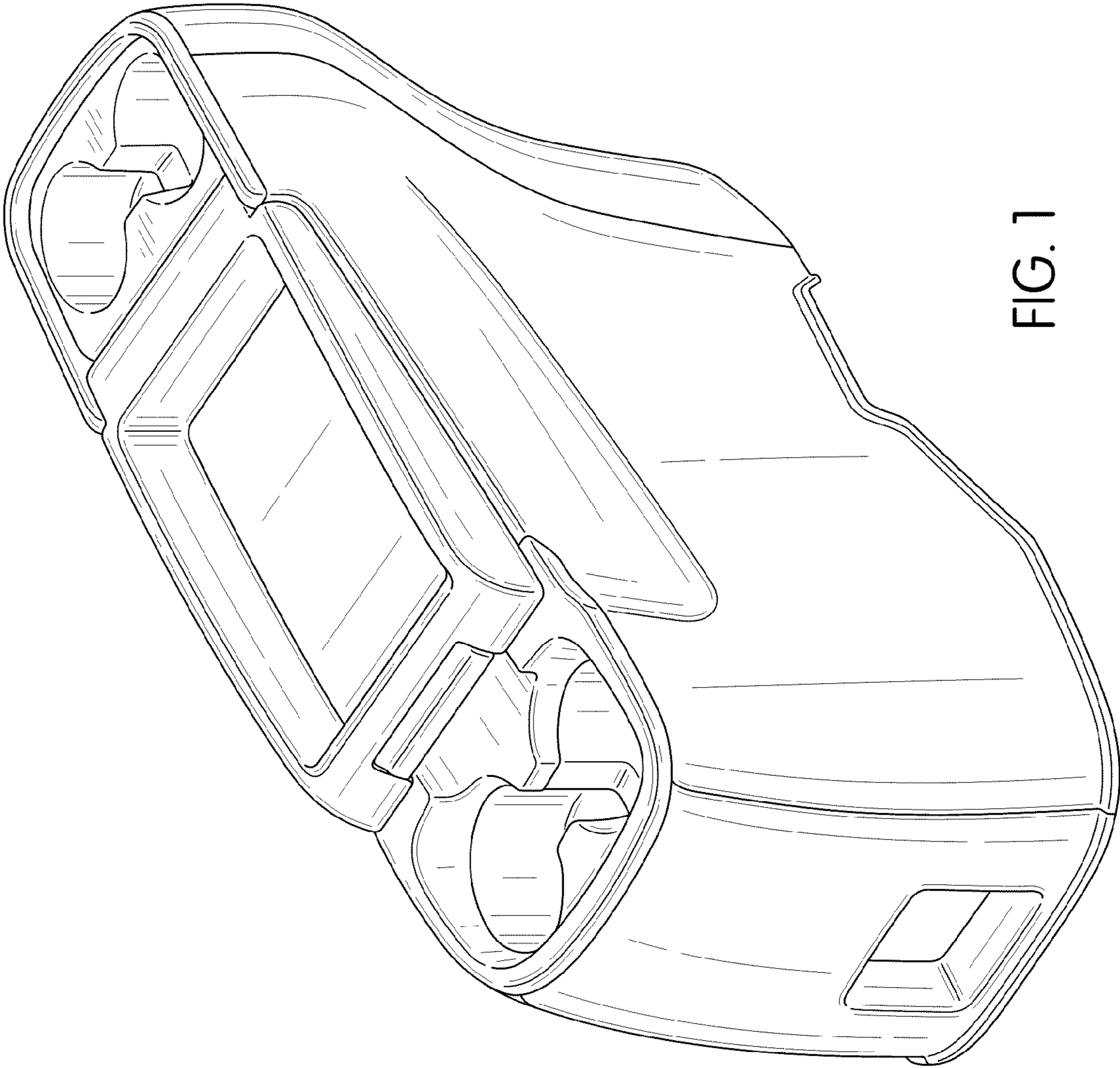


FIG. 1

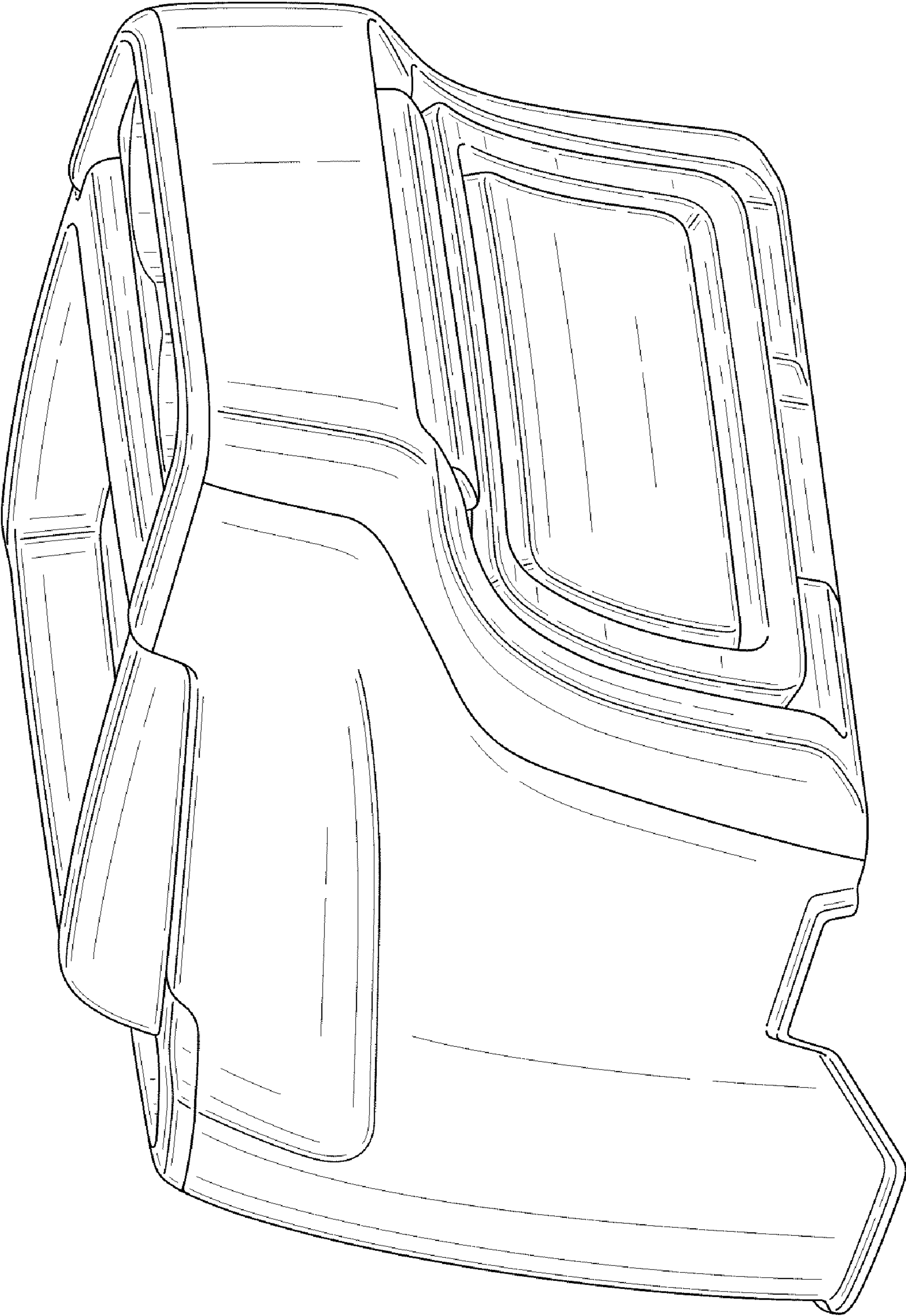


FIG. 2

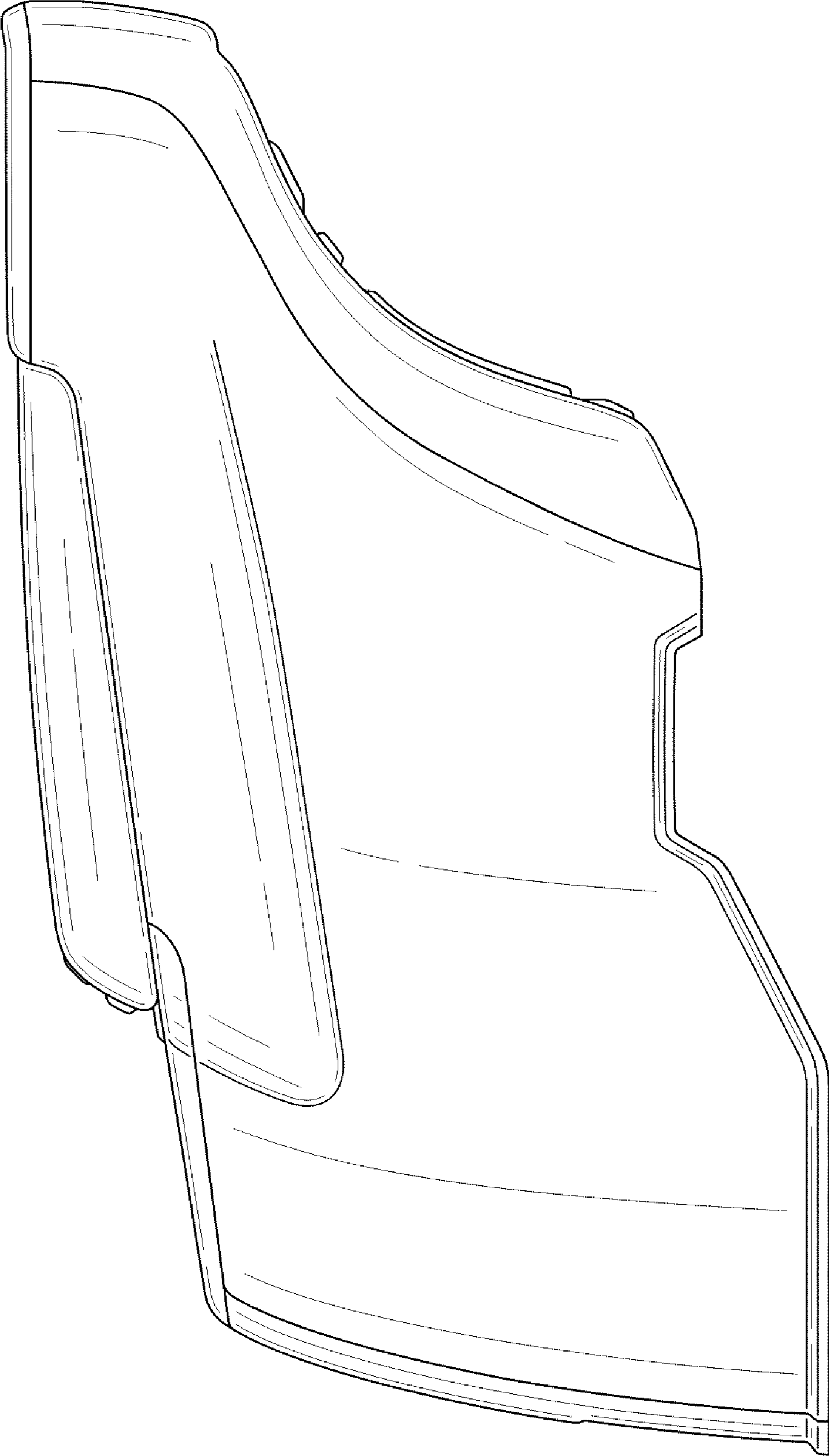


FIG. 3

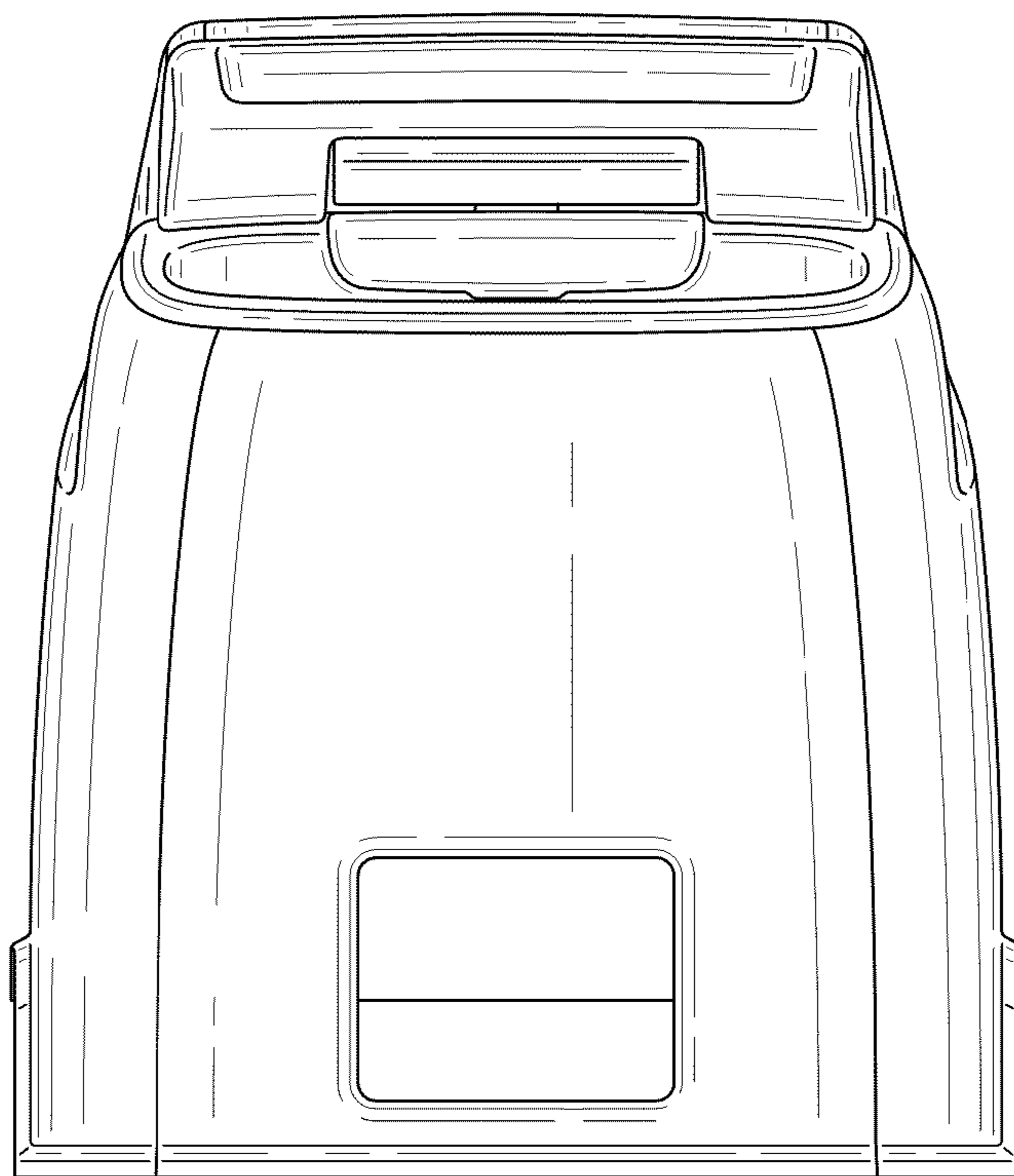


FIG. 4

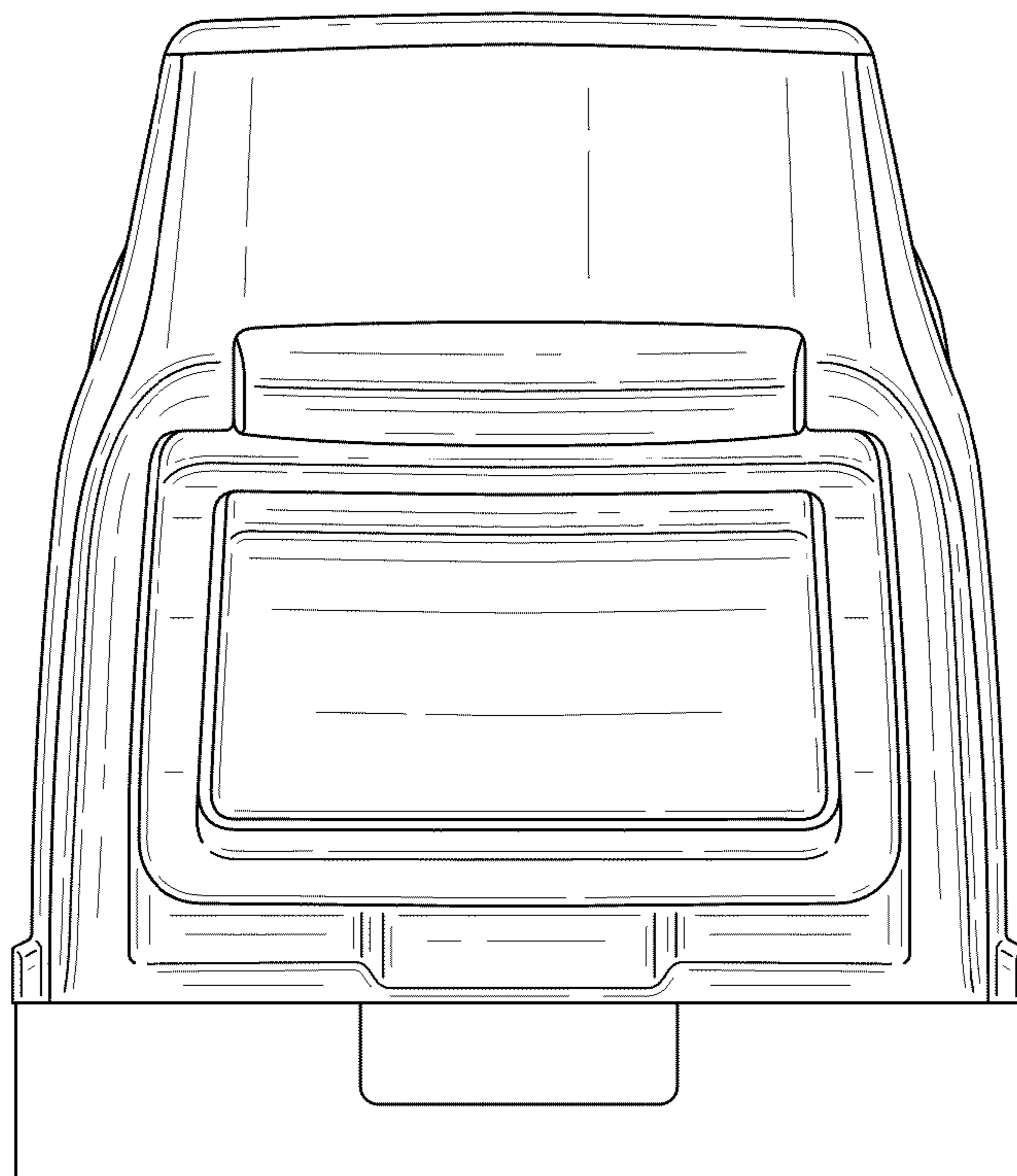


FIG. 5