



US00D651963S

(12) **United States Design Patent**
Barkdoll et al.

(10) **Patent No.:** **US D651,963 S**
(45) **Date of Patent:** **** Jan. 10, 2012**

(54) **GONDOLA UPRIGHT MOUNTING DEVICE**

(75) Inventors: **Patrick J. Barkdoll**, Pecatonica, IL
(US); **Thomas E. Valiulis**, Rockford, IL
(US)

(73) Assignee: **Southern Imperial, Inc.**, Rockford, IL
(US)

(**) Term: **14 Years**

(21) Appl. No.: **29/387,019**

(22) Filed: **Mar. 8, 2011**

(51) **LOC (9) Cl.** **12-06**

(52) **U.S. Cl.** **D12/223**

(58) **Field of Classification Search** D12/223;
D8/349, 380, 382, 354; 248/200, 300, 317;
211/113

See application file for complete search history.

(56) **References Cited**

U.S. PATENT DOCUMENTS

D467,792 S * 12/2002 Zadak et al. D8/373
D467,858 S * 12/2002 Misch D12/223
D605,102 S * 12/2009 Peschmann D12/223

D611,887 S * 3/2010 Peschmann D12/223
* cited by examiner

Primary Examiner — Cynthia M Chin

Assistant Examiner — Sheryl Lane

(74) *Attorney, Agent, or Firm* — Reinhart Boerner Van
Deuren P.C.

(57) **CLAIM**

I claim the ornamental design for a gondola upright mounting
device, as shown and described.

DESCRIPTION

FIG. 1 is an isometric view of a gondola upright mounting
device;

FIG. 2 is an alternate isometric view thereof;

FIG. 3 is a side view thereof;

FIG. 4 is a side view thereof showing the side opposite that
shown in FIG. 3;

FIG. 5 is a front view thereof;

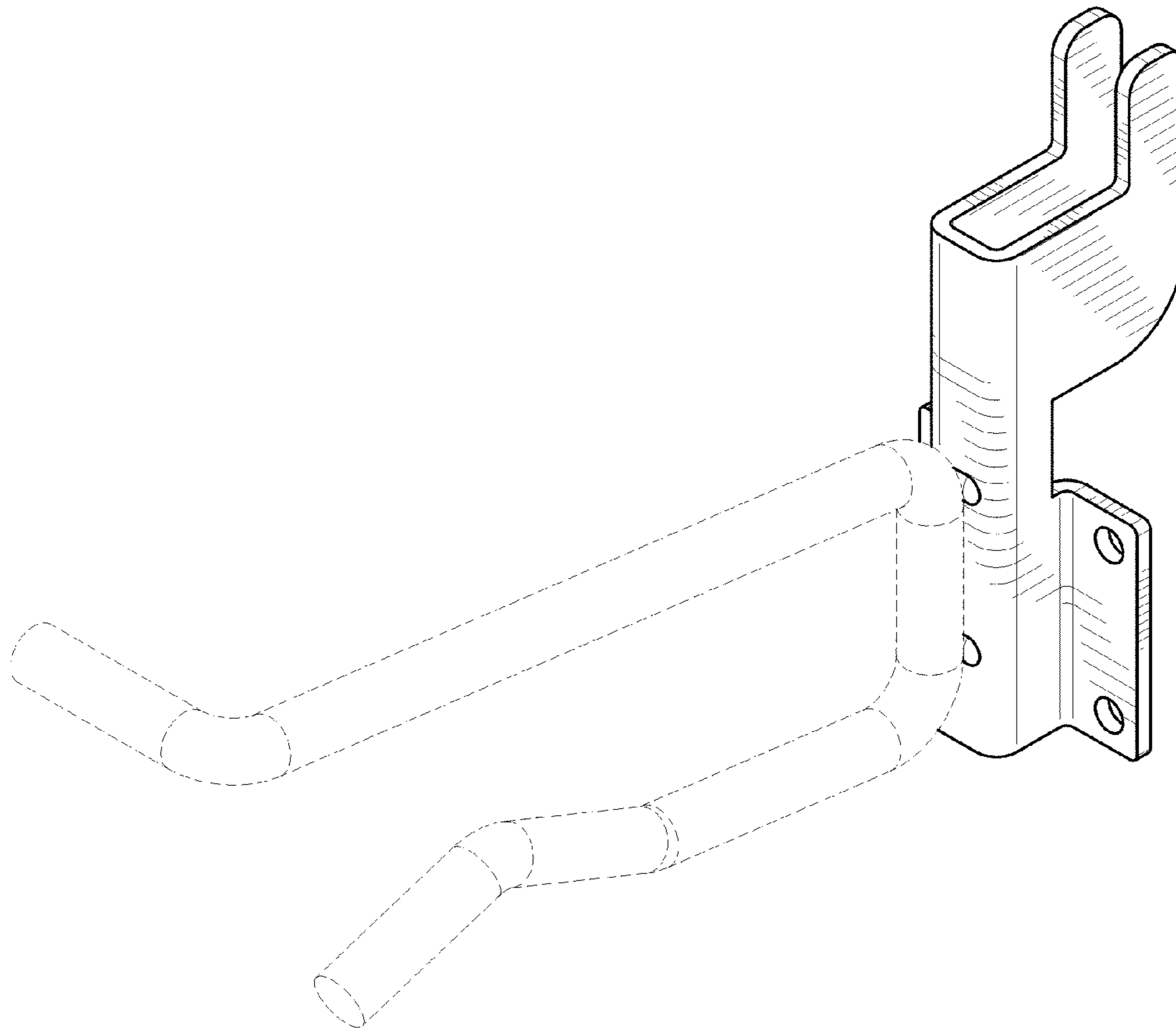
FIG. 6 is a rear view thereof;

FIG. 7 is a top view thereof; and,

FIG. 8 is a bottom view thereof.

The broken line showing of the gondola upright mounting
device is included to show portions of the article that are not
part of the claimed design.

1 Claim, 3 Drawing Sheets



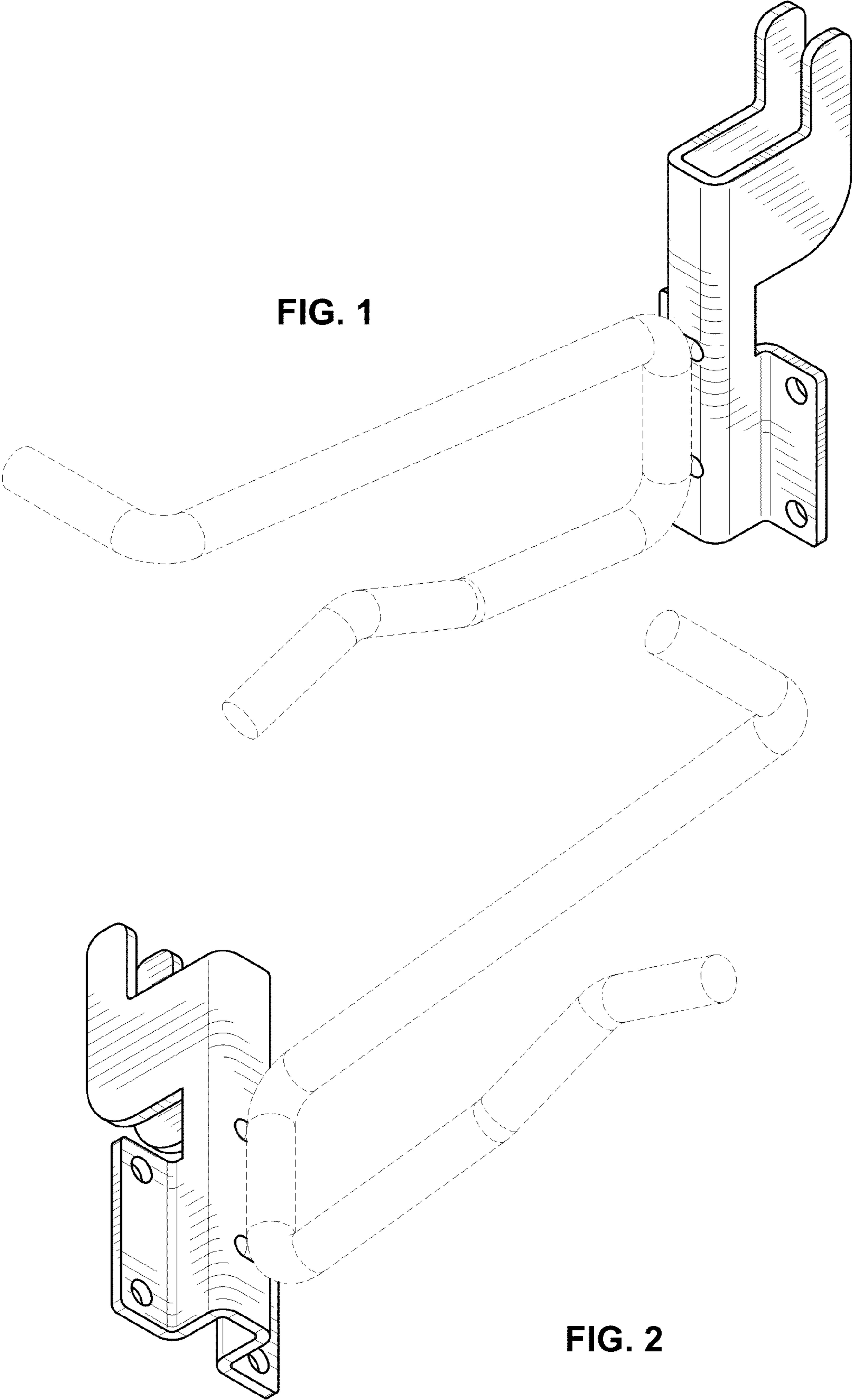


FIG. 1

FIG. 2

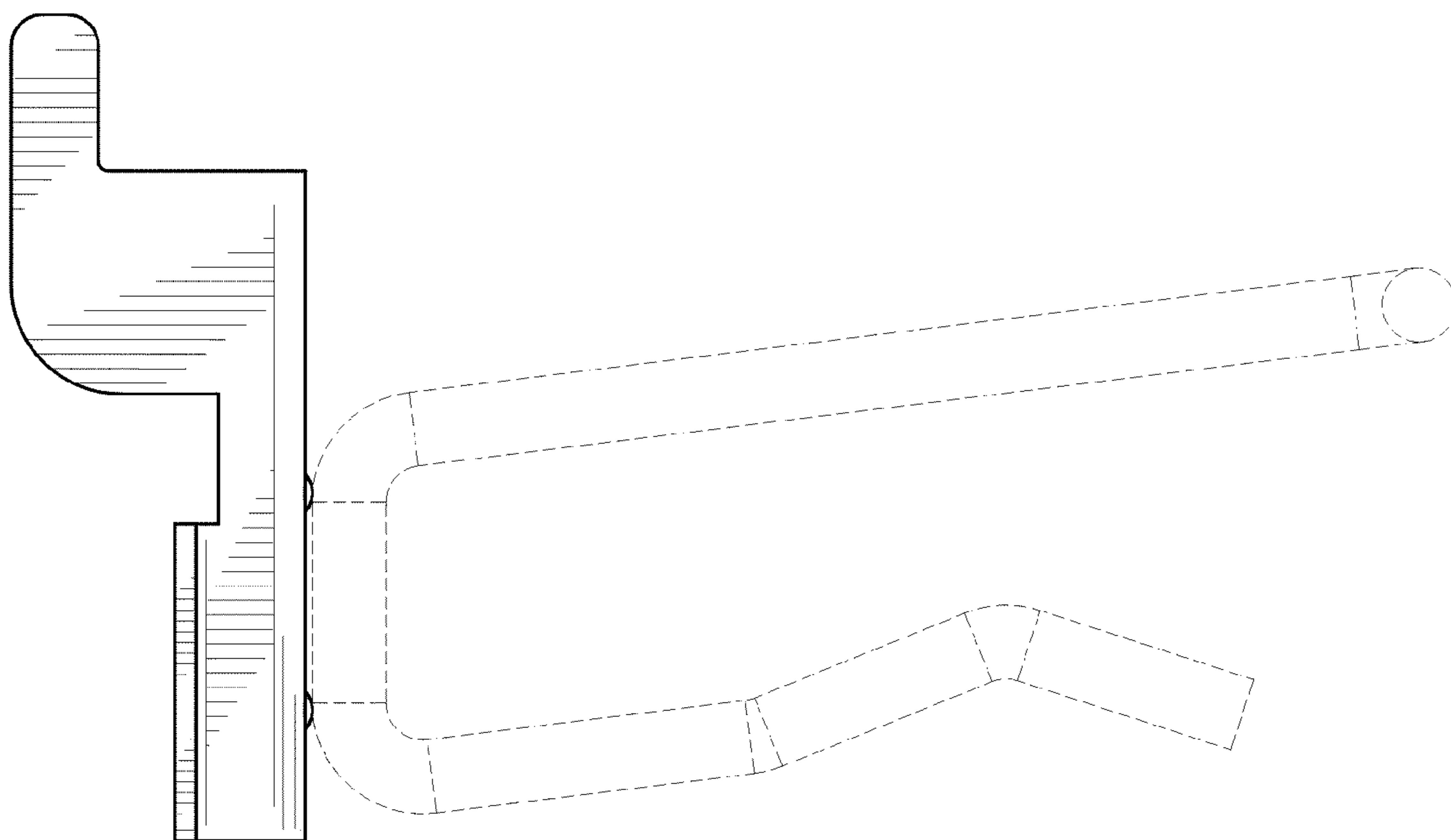


FIG. 3

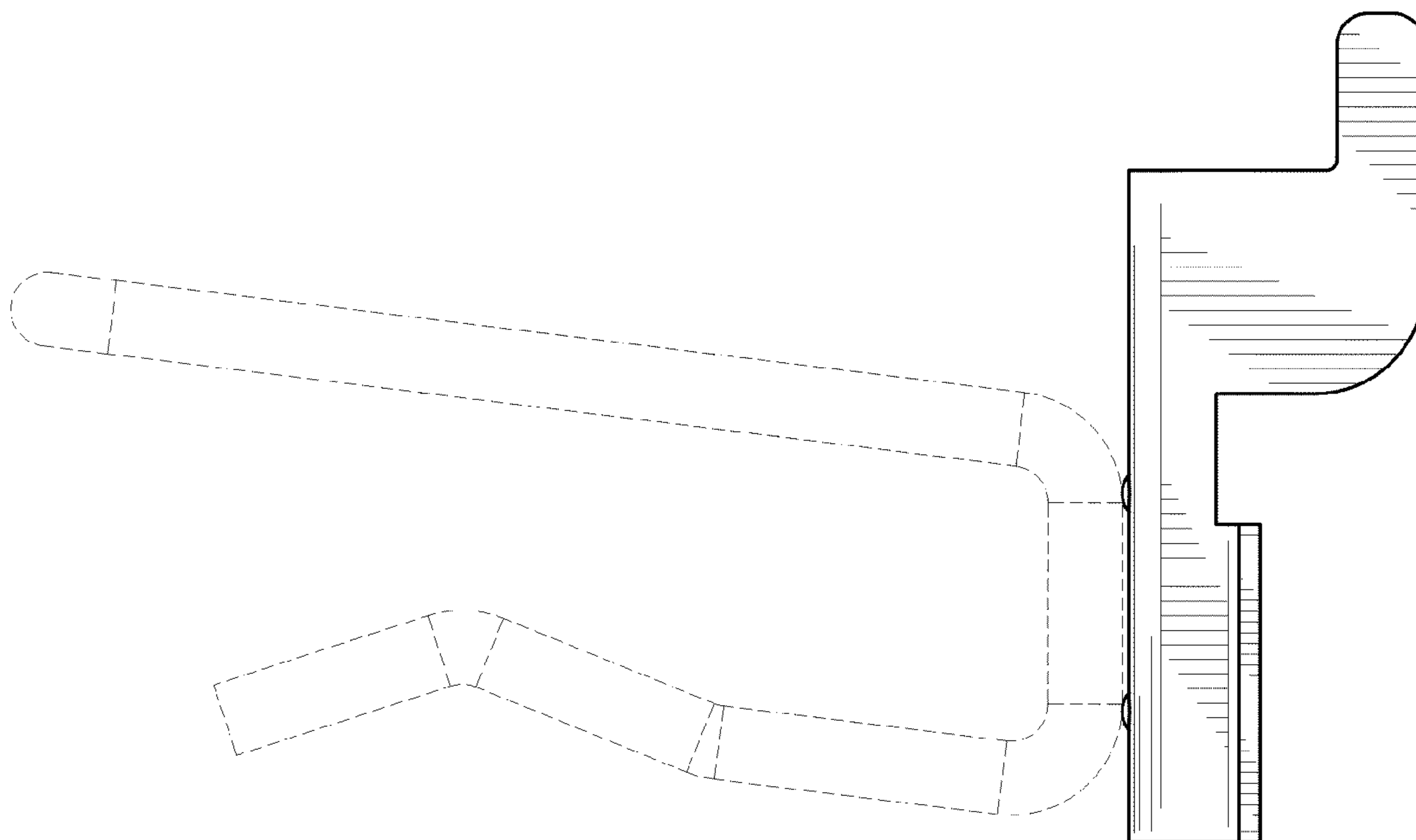


FIG. 4

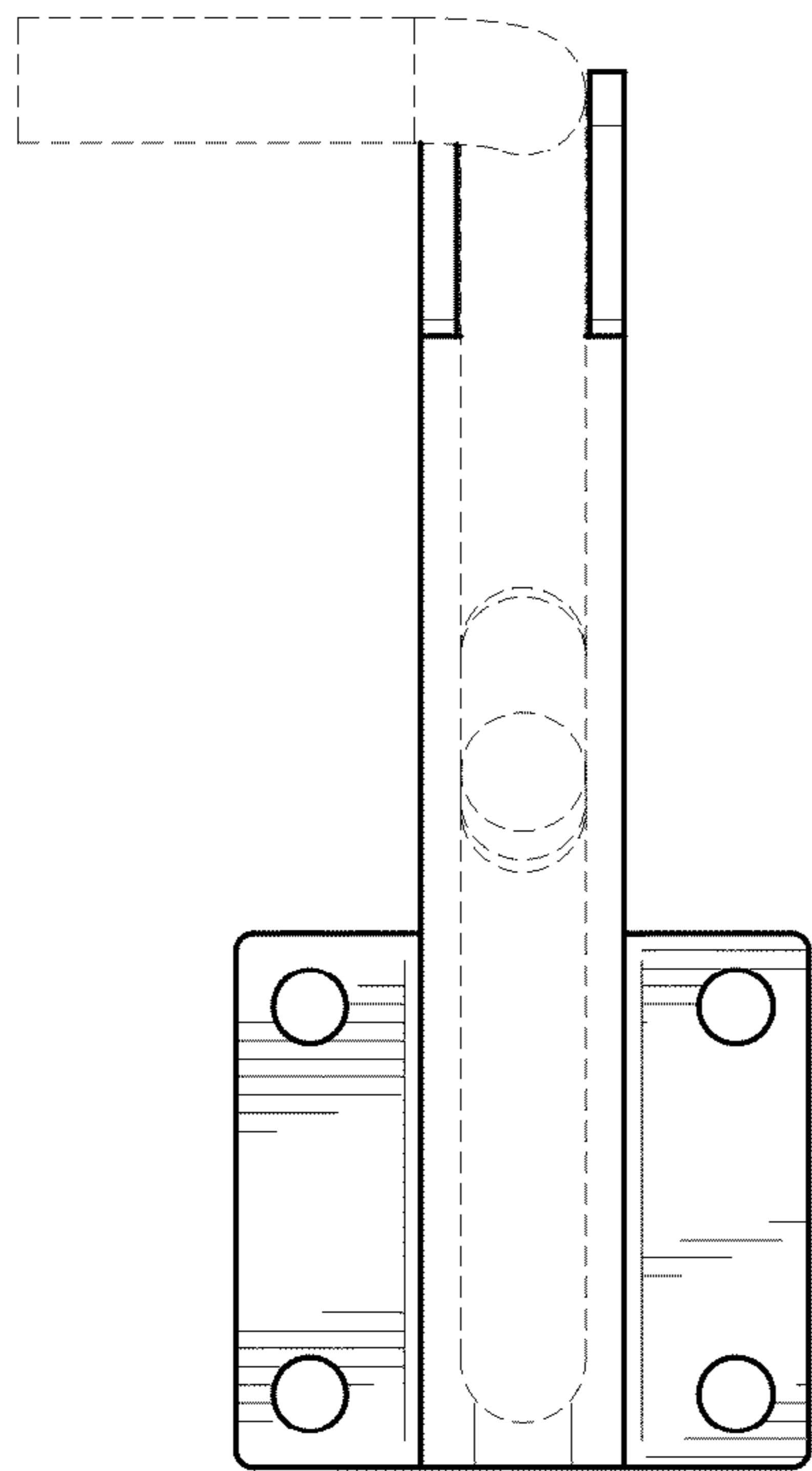


FIG. 5

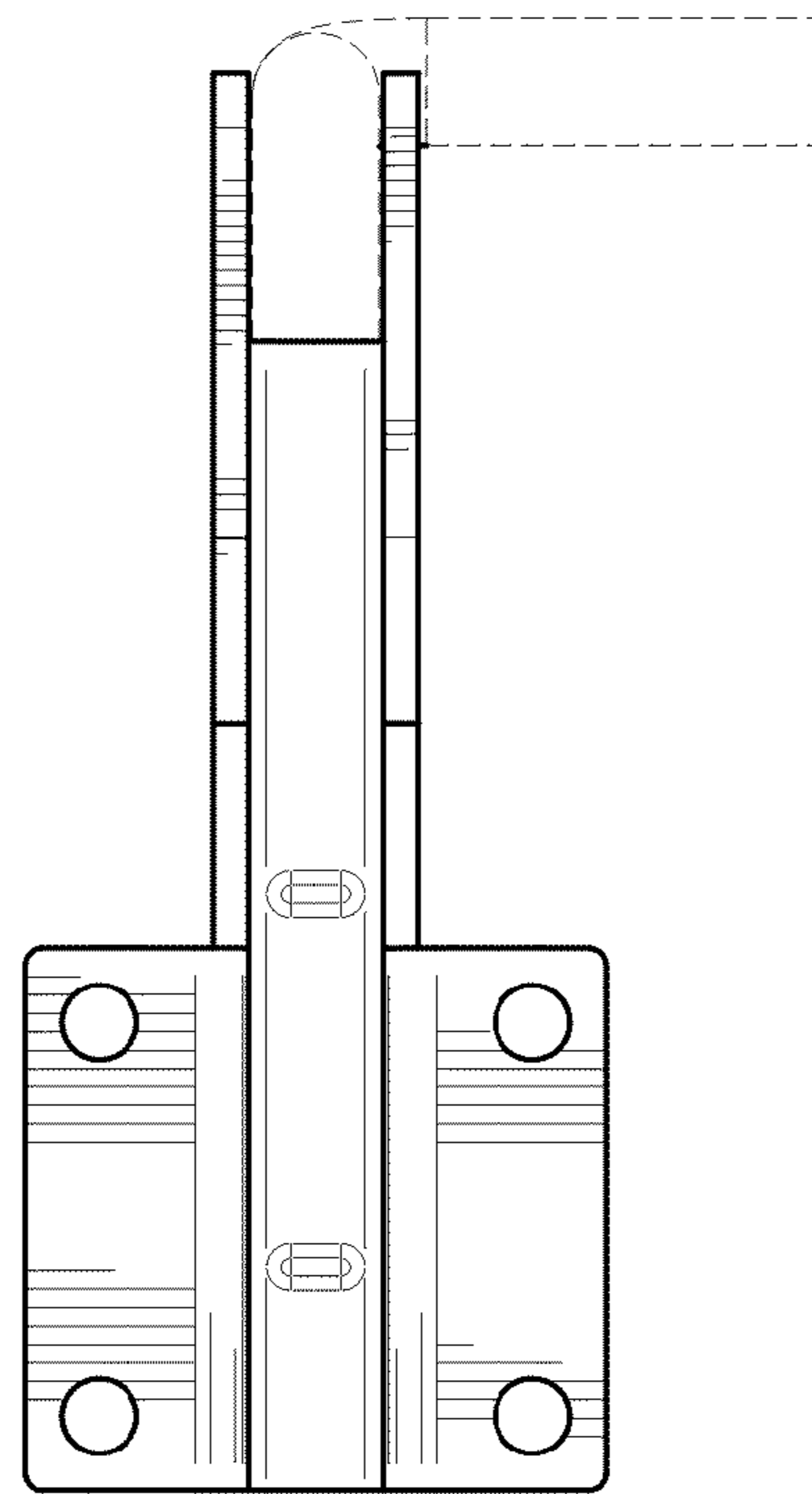


FIG. 6

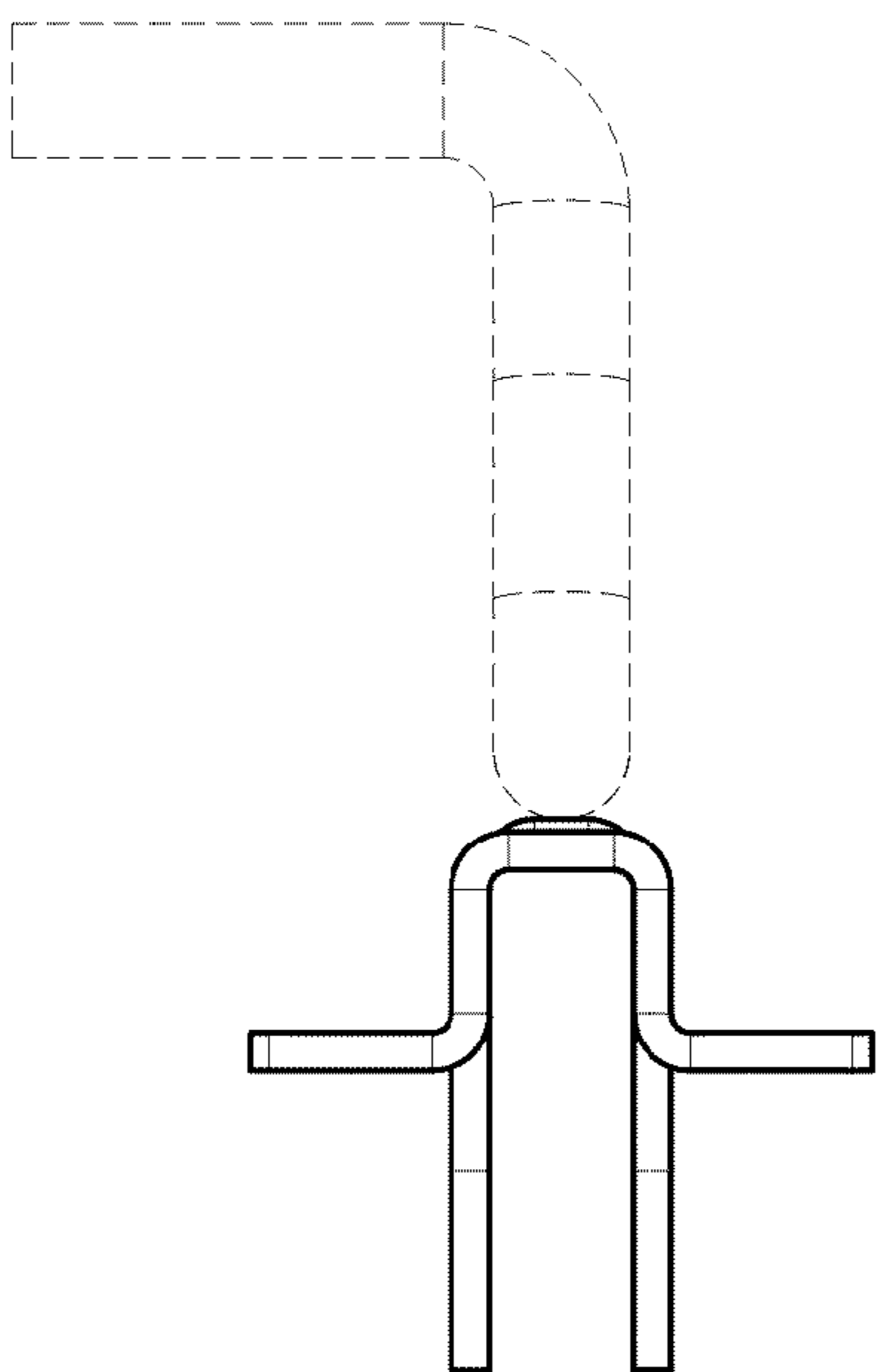


FIG. 7

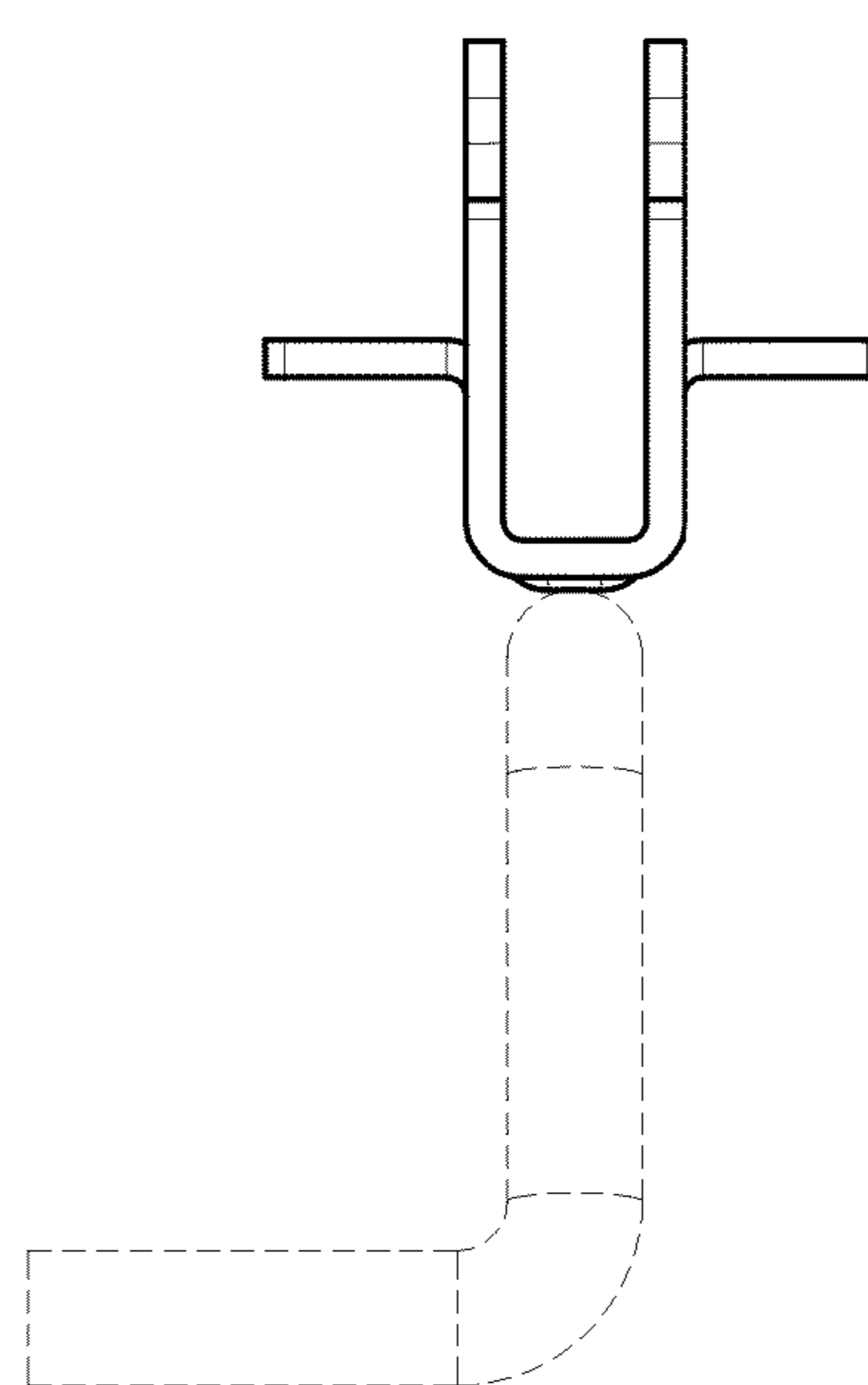


FIG. 8