

US00D651962S

(12) **United States Design Patent**
Barkdoll et al.

(10) **Patent No.:** **US D651,962 S**

(45) **Date of Patent:** **** Jan. 10, 2012**

(54) **GONDOLA UPRIGHT MOUNTING DEVICE**

(75) Inventors: **Patrick J. Barkdoll**, Pecatonica, IL
(US); **Thomas E. Valiulis**, Rockford, IL
(US)

(73) Assignee: **Southern Imperial, Inc.**, Rockford, IL
(US)

(**) Term: **14 Years**

(21) Appl. No.: **29/387,012**

(22) Filed: **Mar. 8, 2011**

(51) **LOC (9) Cl.** **12-06**

(52) **U.S. Cl.** **D12/223**

(58) **Field of Classification Search** D12/223;
D8/349, 380, 382, 354; 248/200, 300, 317;
211/113

See application file for complete search history.

(56) **References Cited**

U.S. PATENT DOCUMENTS

D272,414 S *	1/1984	Barnes	D8/363
D304,567 S *	11/1989	Lane, Jr.	D12/223
D434,967 S *	12/2000	Habeck et al.	D8/349
D439,501 S *	3/2001	Benz et al.	D8/354
D470,397 S *	2/2003	Valiulis et al.	D8/380

D534,109 S *	12/2006	Camm	D12/187
D592,491 S *	5/2009	Kirby	D8/380
7,743,931 B2 *	6/2010	Barkdoll	211/7

* cited by examiner

Primary Examiner — Cynthia M Chin

Assistant Examiner — Sheryl Lane

(74) *Attorney, Agent, or Firm* — Reinhart Boerner Van Deuren P.C.

(57) **CLAIM**

I claim the ornamental design for a gondola upright mounting device, as shown and described.

DESCRIPTION

FIG. 1 is an isometric view of a gondola upright mounting device;

FIG. 2 is an alternate isometric view thereof;

FIG. 3 is a top view thereof;

FIG. 4 is a bottom view thereof;

FIG. 5 is a side view thereof;

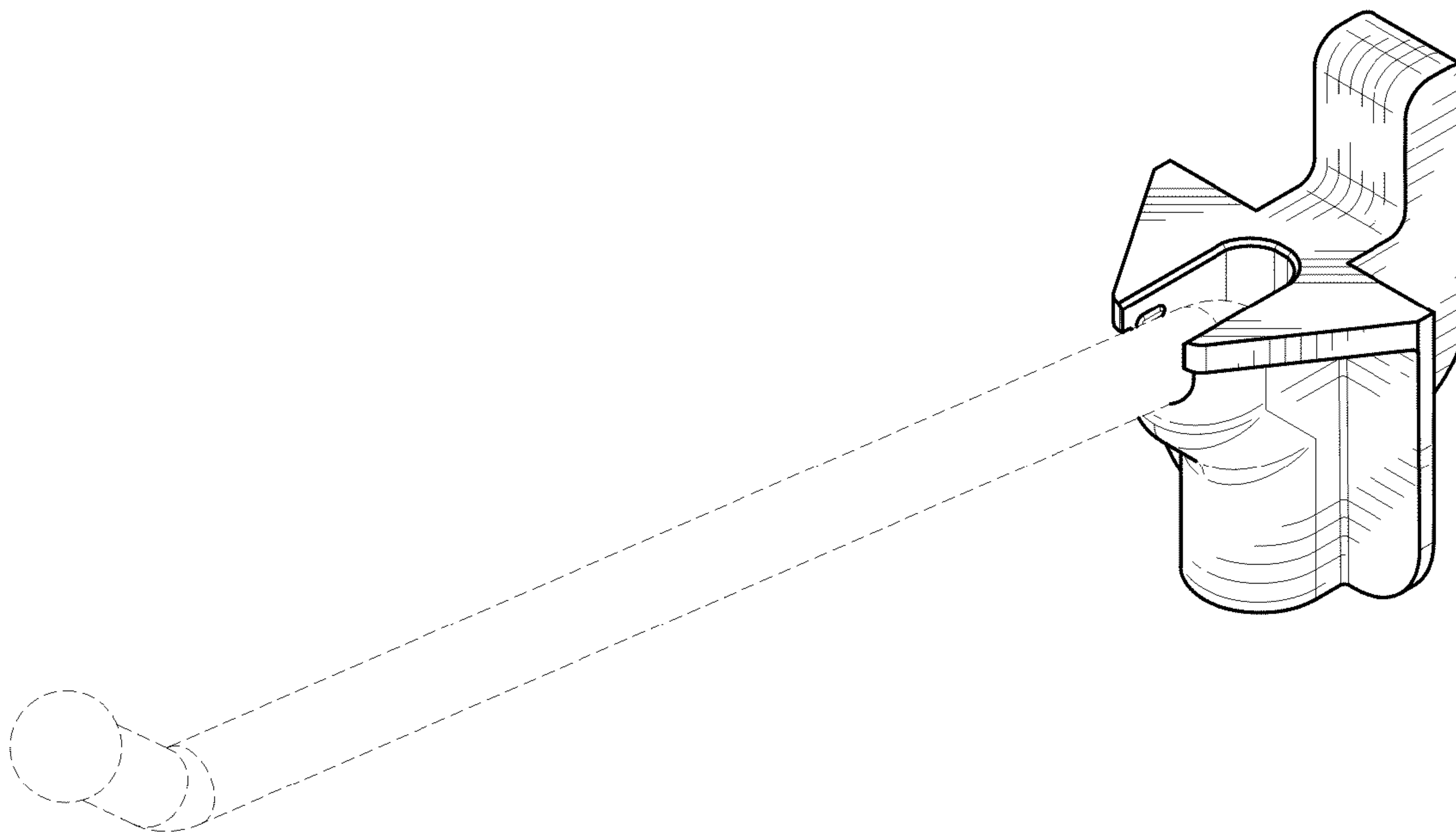
FIG. 6 is a front view thereof;

FIG. 7 is a side view thereof showing the side opposite that shown in FIG. 5; and,

FIG. 8 is a rear view thereof.

The broken line showing of the gondola upright mounting device is included to show portions of the article that are not part of the claimed design.

1 Claim, 4 Drawing Sheets



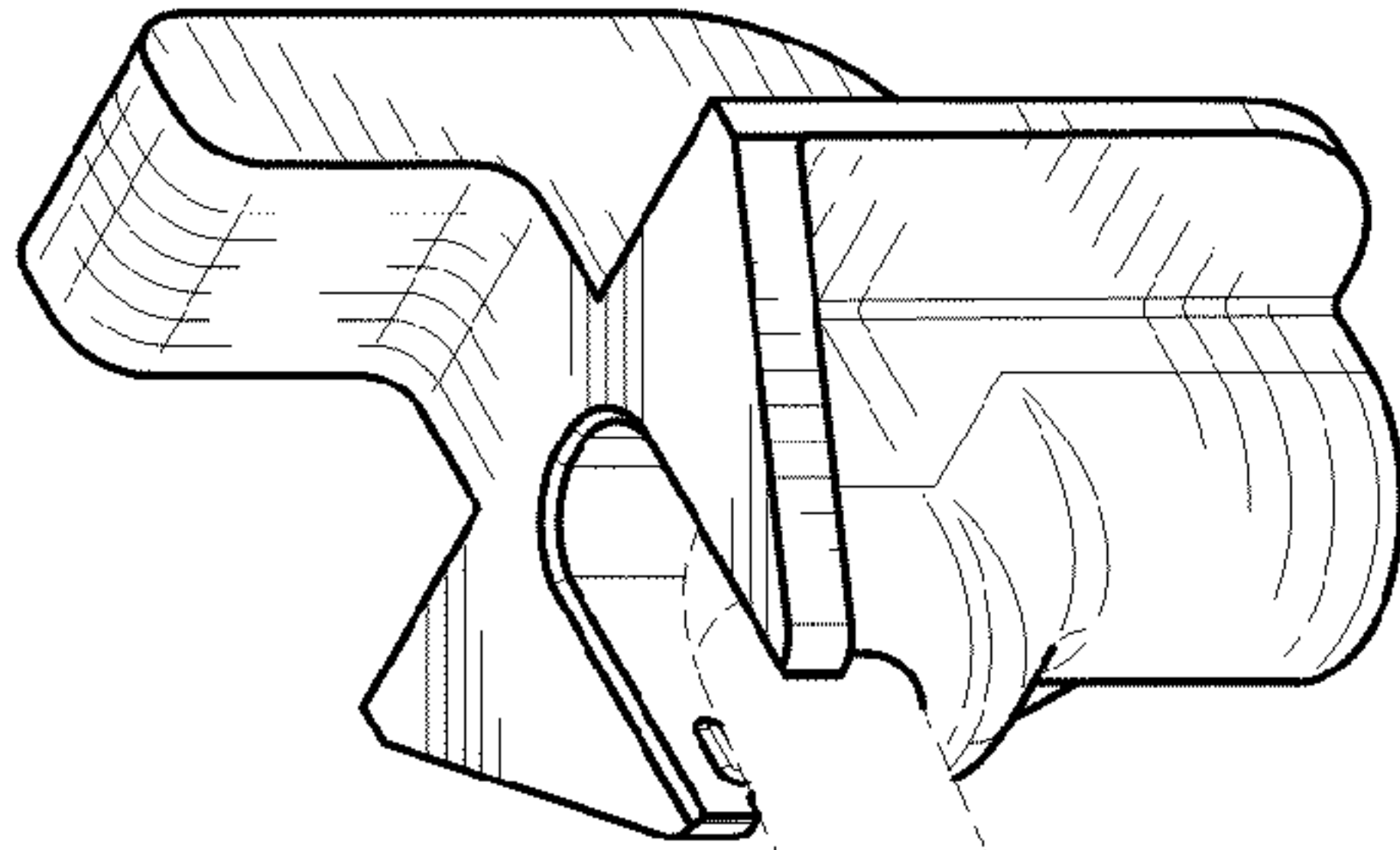


FIG. 1

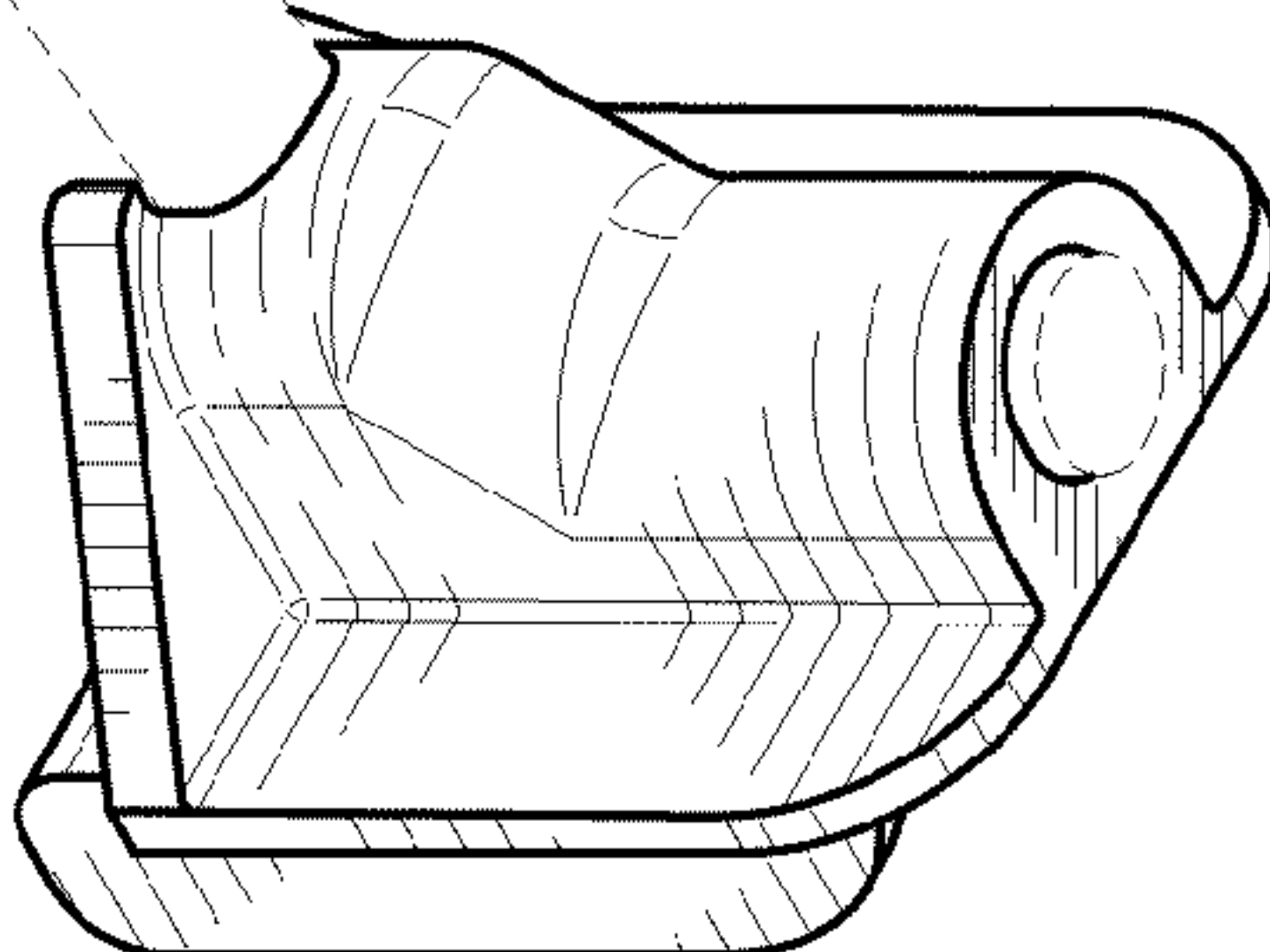
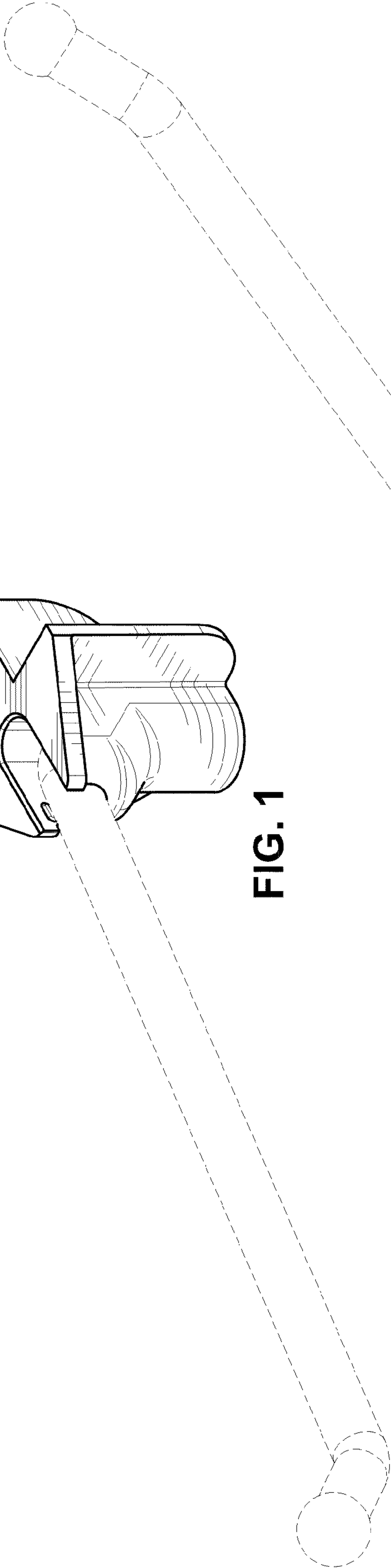


FIG. 2



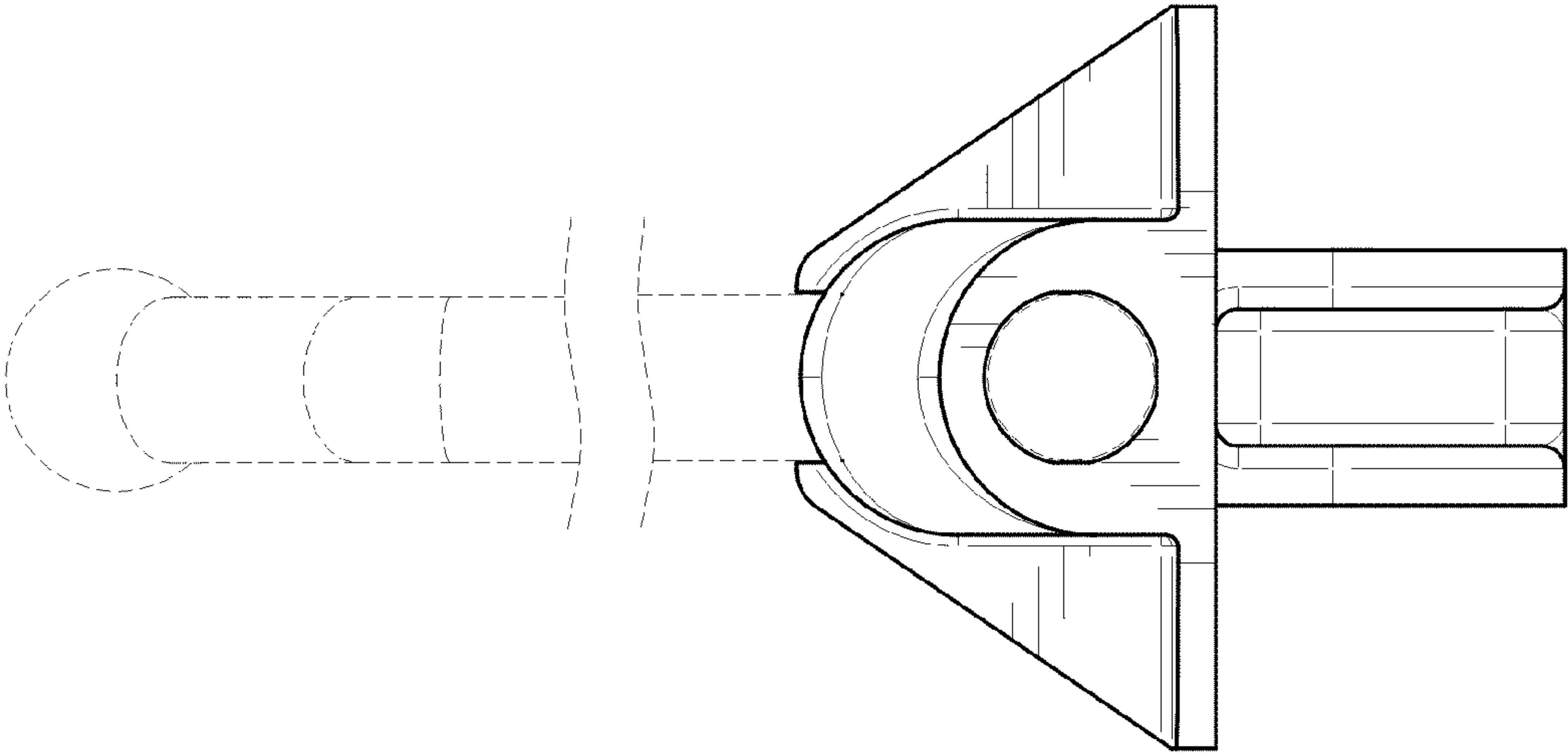


FIG. 3

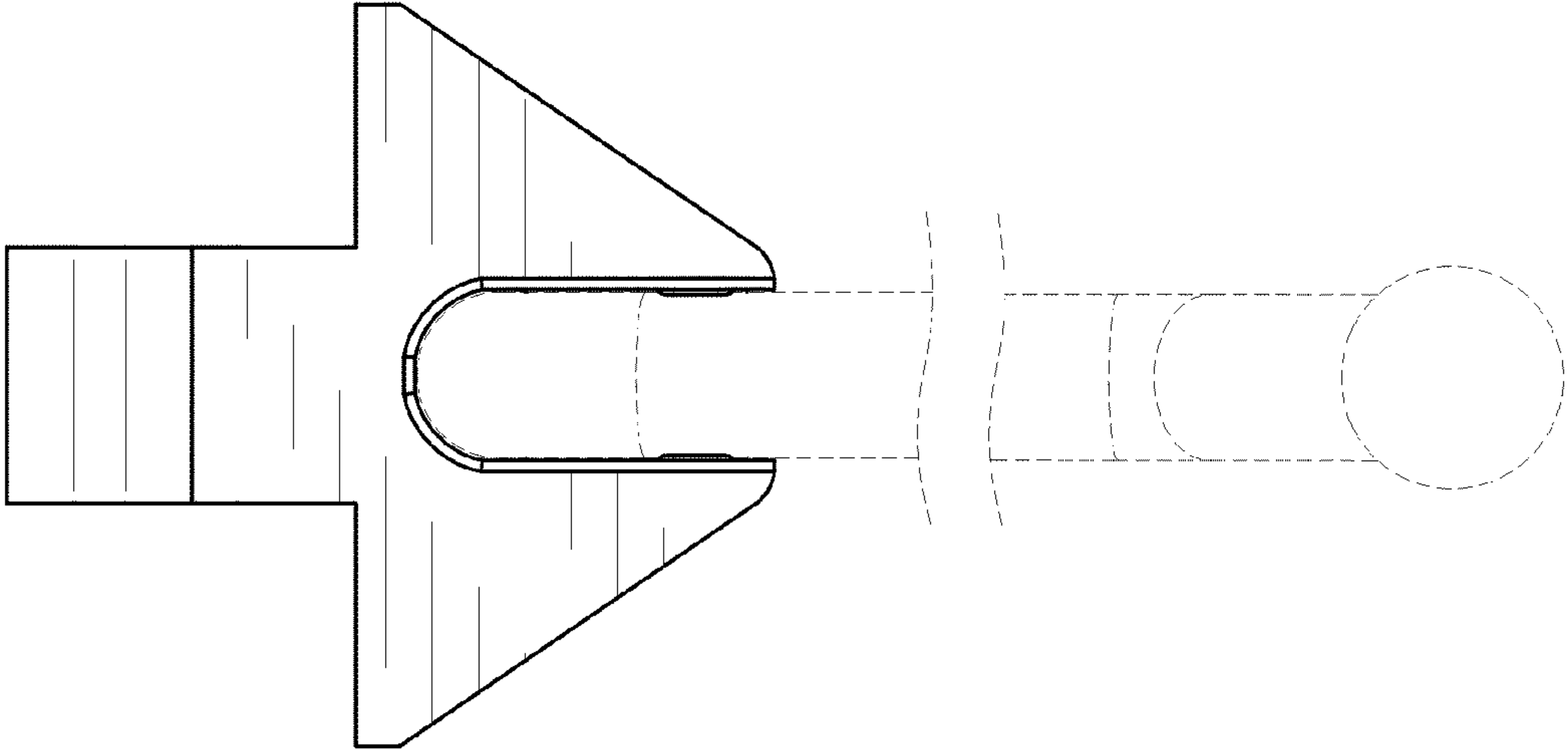


FIG. 4

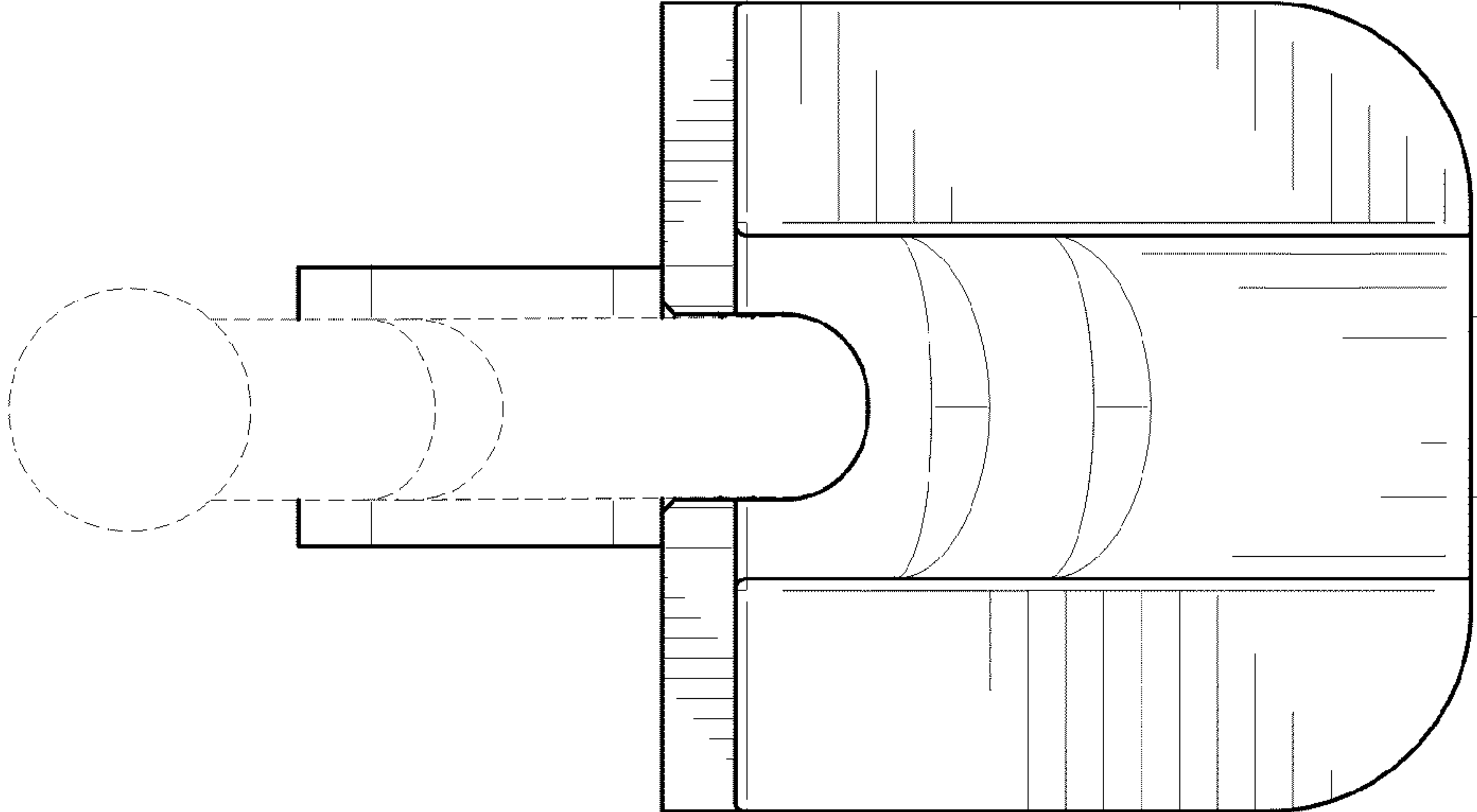


FIG. 6

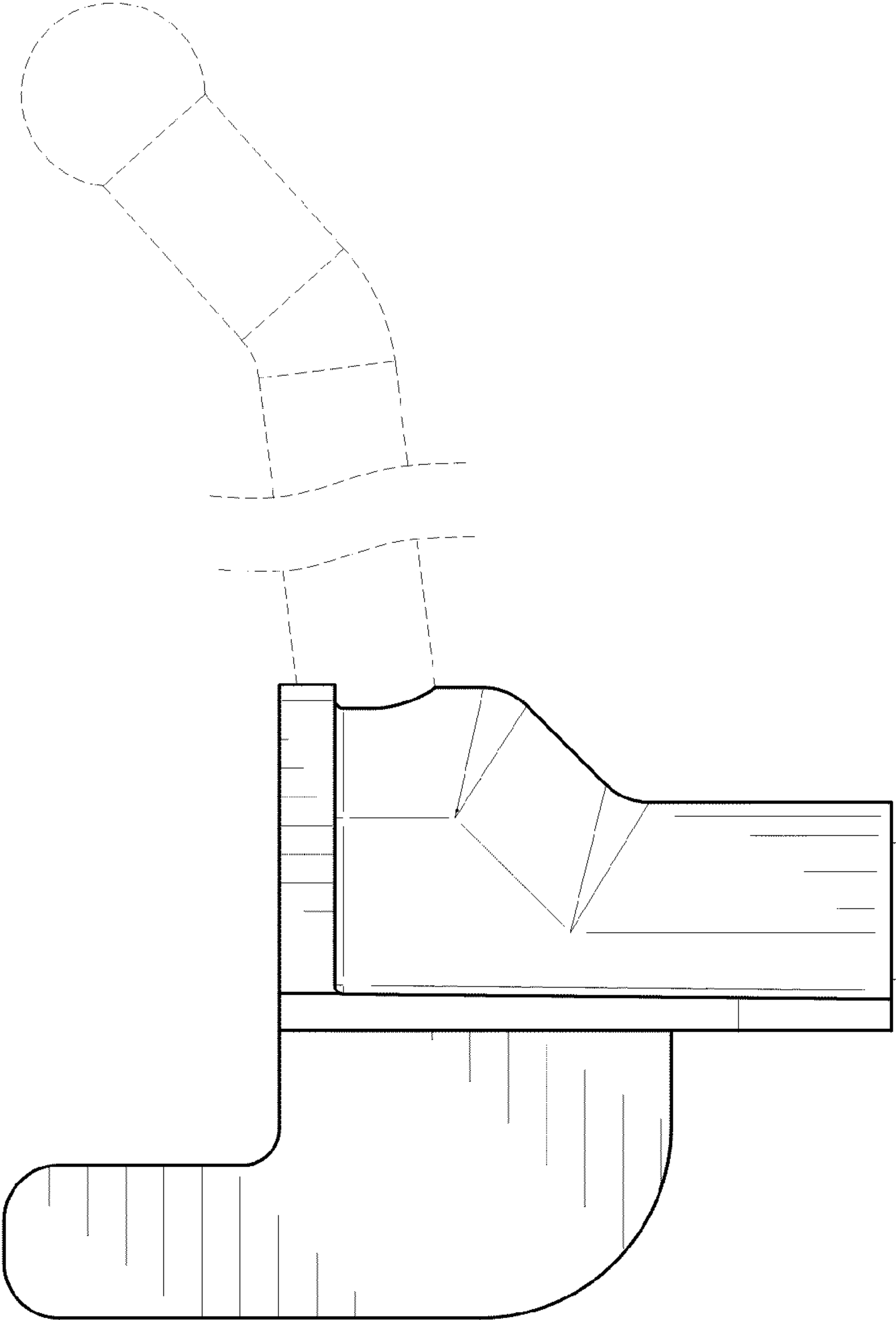


FIG. 5

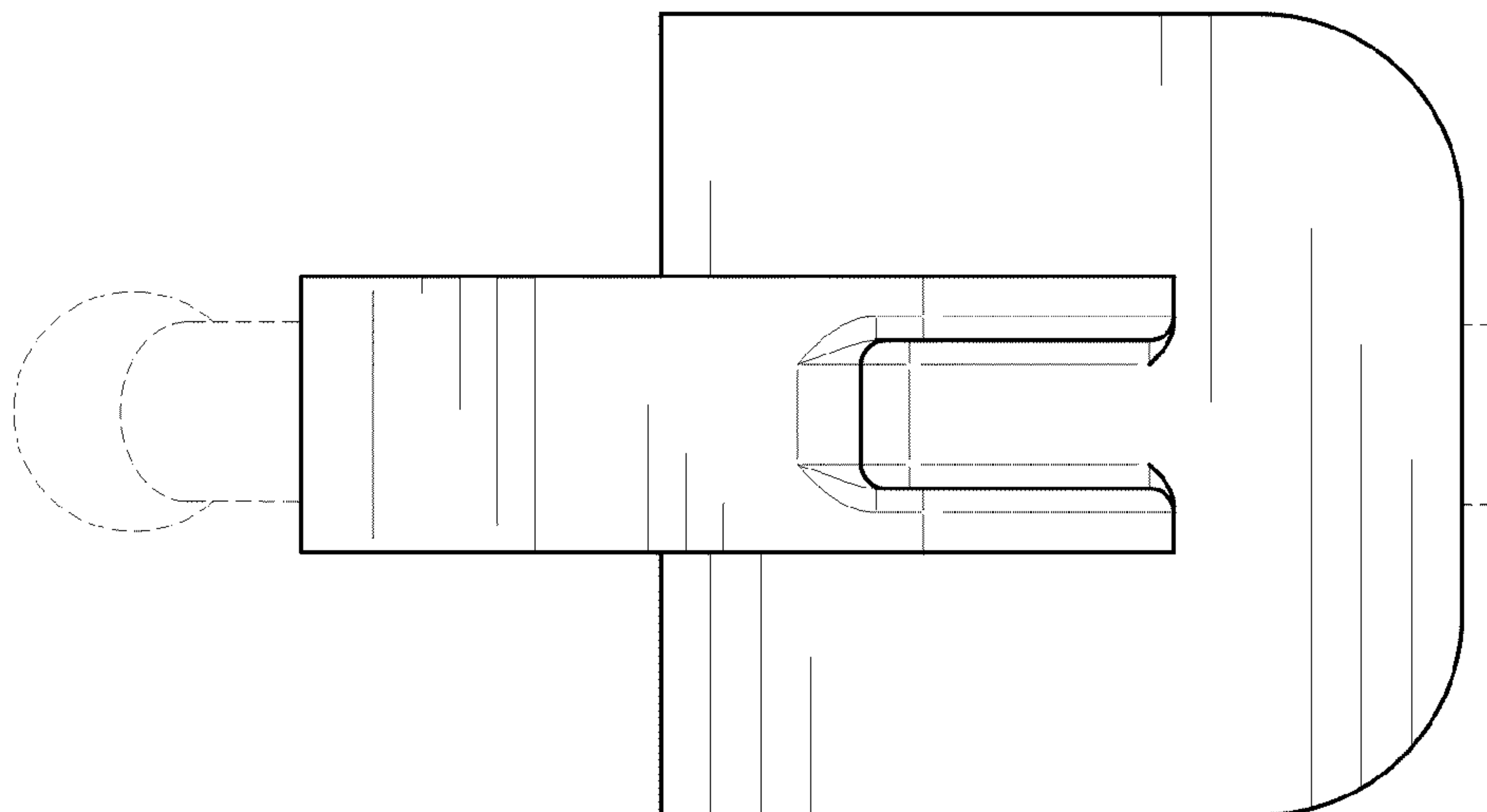


FIG. 8

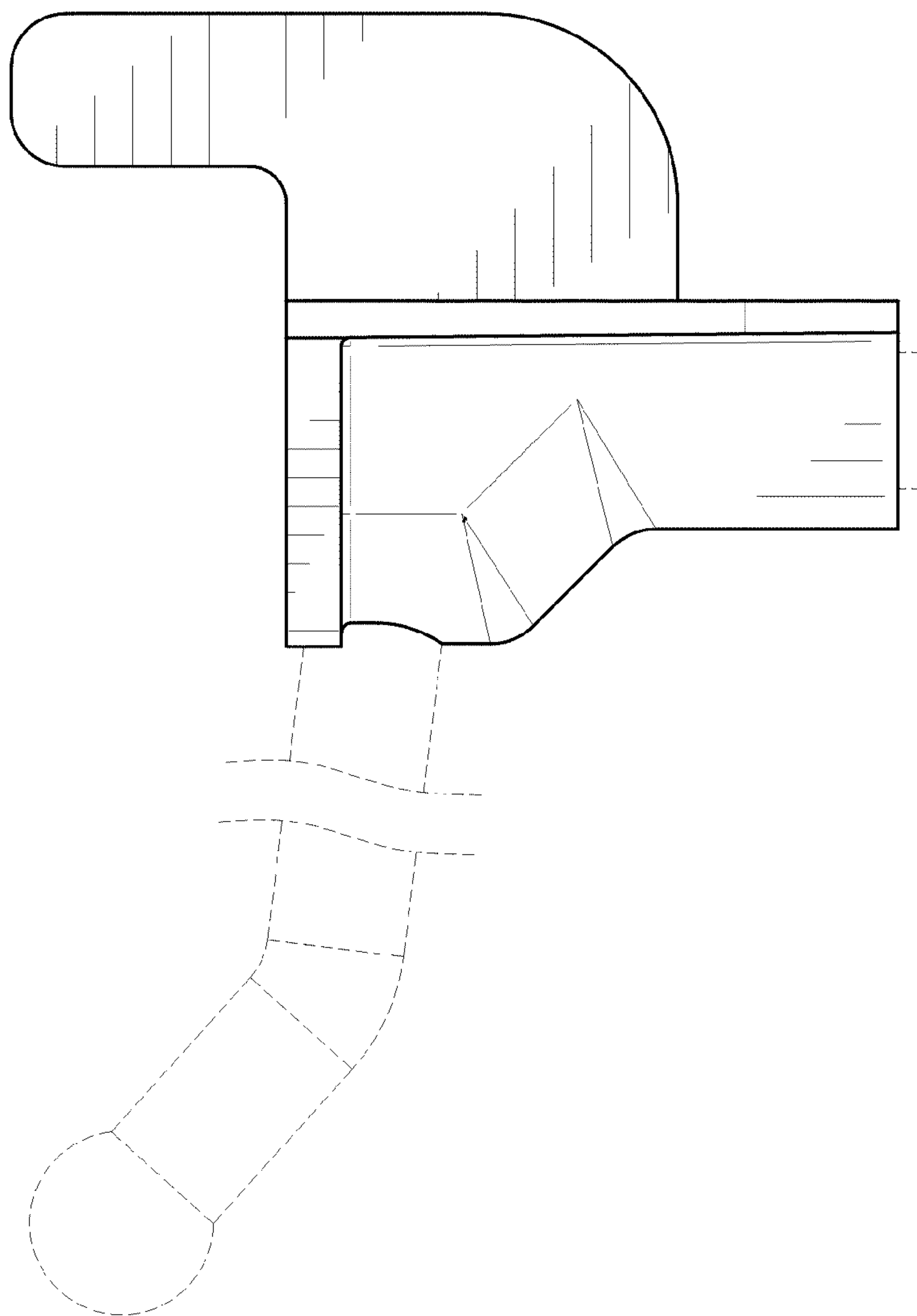


FIG. 7