



US00D651960S

(12) **United States Design Patent**
Sahara et al.

(10) **Patent No.:** **US D651,960 S**

(45) **Date of Patent:** **** Jan. 10, 2012**

(54) **WHEEL**

(75) Inventors: **Ken Sahara**, Redondo Beach, CA (US);
Jeffrey Sherrill, Torrance, CA (US)

(73) Assignee: **Honda Motor Co., Ltd.**, Tokyo (JP)

(**) Term: **14 Years**

(21) Appl. No.: **29/399,498**

(22) Filed: **Aug. 15, 2011**

(51) **LOC (9) Cl.** **12-16**

(52) **U.S. Cl.** **D12/209**

(58) **Field of Classification Search** D12/204-213;
301/37.101, 64.101, 65, 64.201

See application file for complete search history.

(56) **References Cited**

U.S. PATENT DOCUMENTS

D452,470 S *	12/2001	Gabath	D12/209
D463,348 S *	9/2002	Kataoka	D12/209
D480,031 S *	9/2003	Mattin et al.	D12/209
D481,345 S *	10/2003	O'Connell	D12/211

D501,440 S *	2/2005	Pfeiffer	D12/211
D520,929 S *	5/2006	Matei et al.	D12/209
D580,335 S *	11/2008	Choi et al.	D12/211
D584,672 S *	1/2009	Osborne	D12/209
D591,662 S *	5/2009	Imai	D12/211
D614,113 S *	4/2010	Tant et al.	D12/211

* cited by examiner

Primary Examiner — Stacia Cadmus

(74) *Attorney, Agent, or Firm* — Plumsea Law Group, LLC;
Mark E. Duell

(57) **CLAIM**

The ornamental design for a wheel, as shown and described.

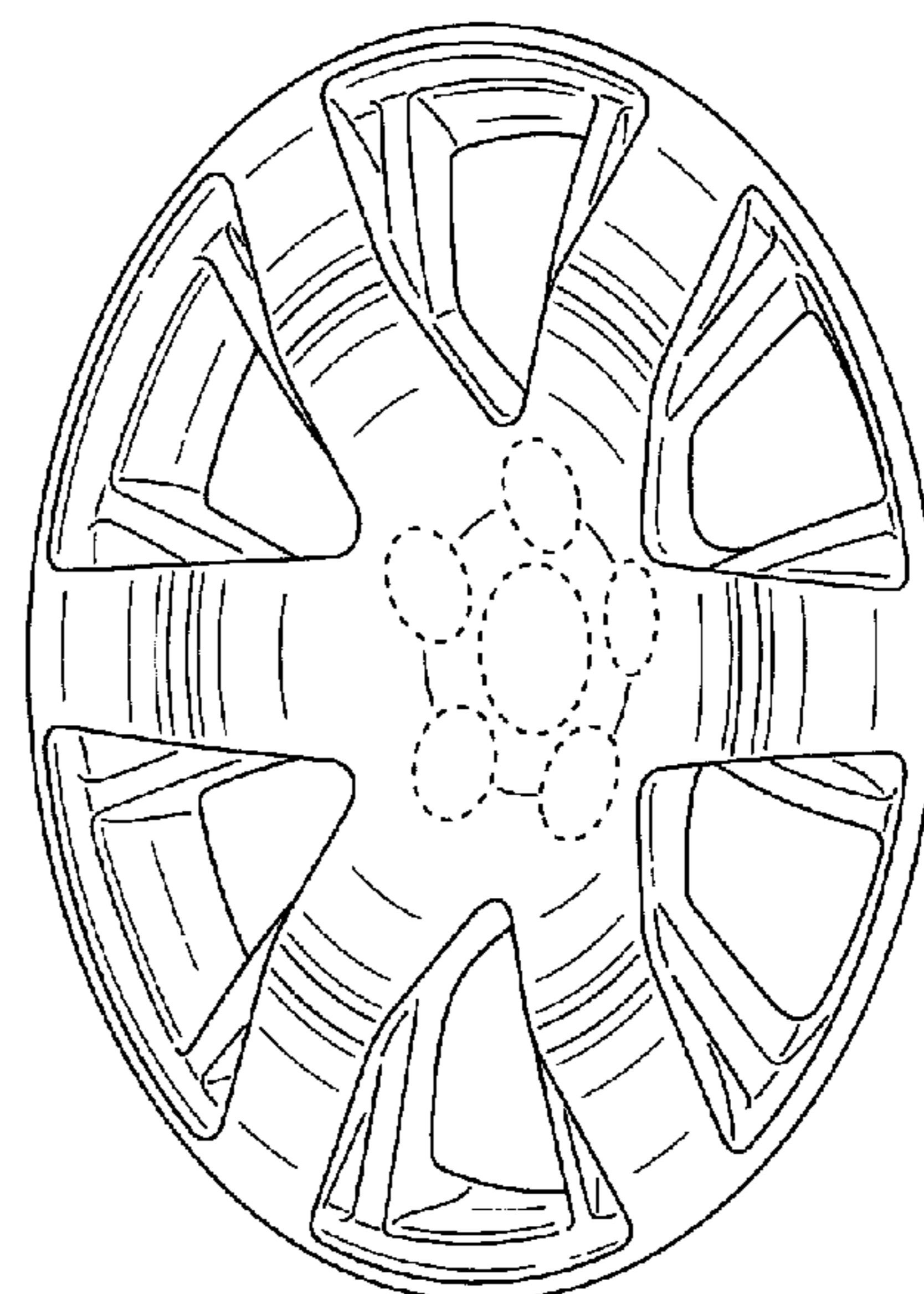
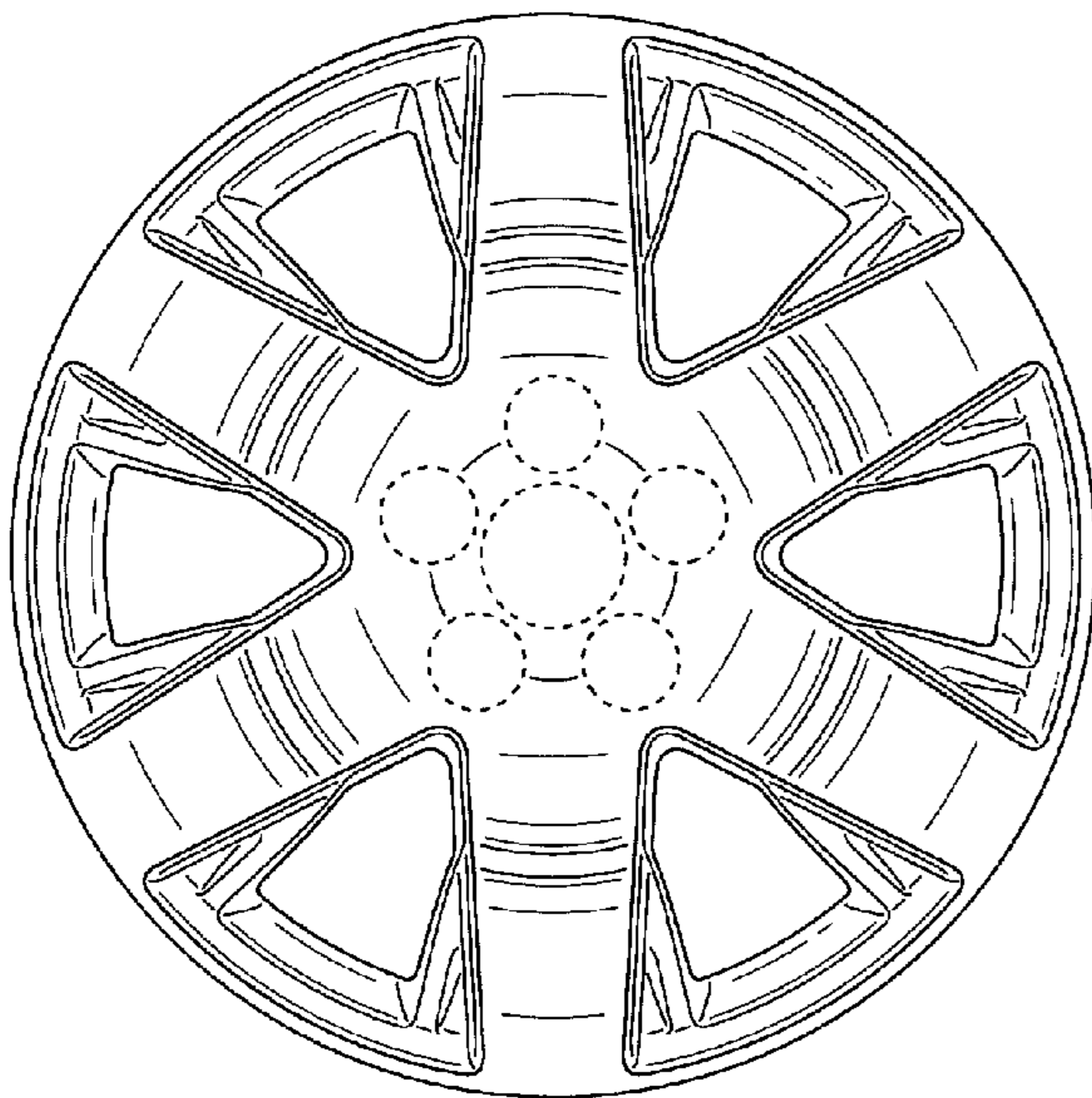
DESCRIPTION

FIG. 1 is a front elevational view of a wheel showing our new design; and,

FIG. 2 is a perspective view thereof.

The broken line showing of the circles in a pentagonal pattern at the hub is included for the purpose of illustrating environment and forms no part of the claimed design.

1 Claim, 1 Drawing Sheet



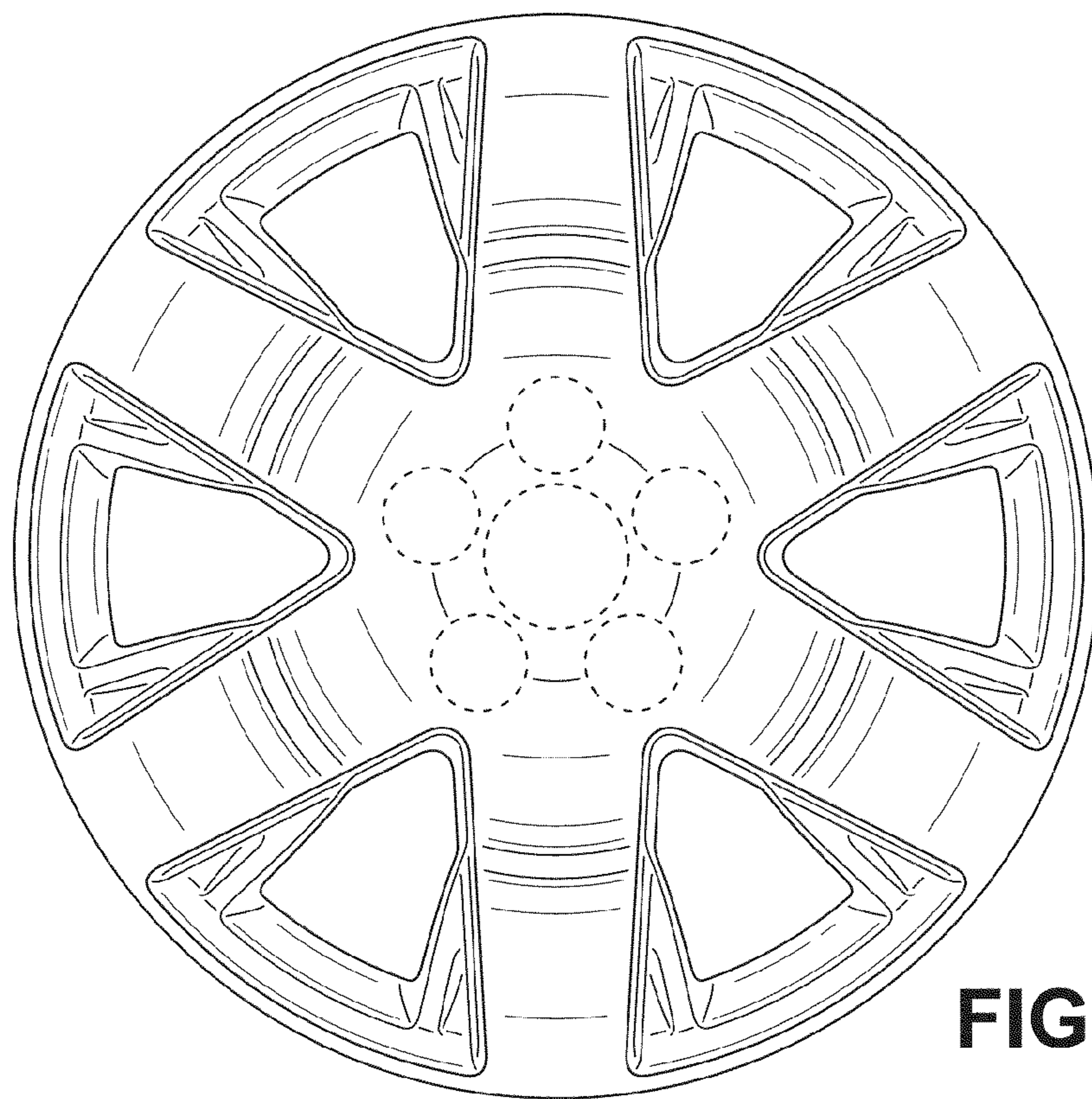


FIG. 1

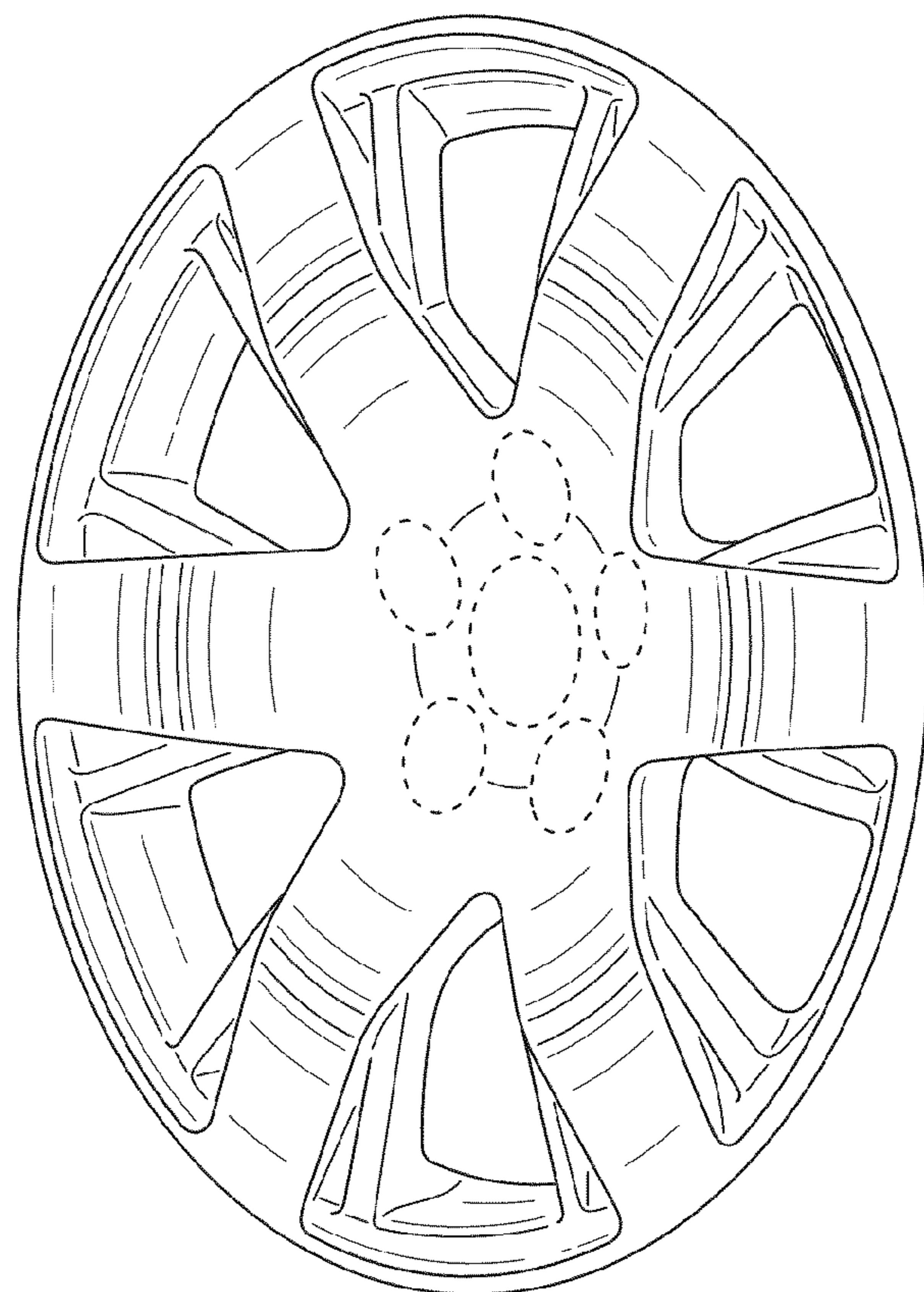


FIG. 2