



US00D651959S

(12) **United States Design Patent**
Groom

(10) **Patent No.:** **US D651,959 S**

(45) **Date of Patent:** **** Jan. 10, 2012**

(54) **WHEEL**

(75) **Inventor:** **Colbey Groom**, Murrieta, CA (US)

(73) **Assignee:** **Wheel Pros, LLC**, Lakewood, CO (US)

(**) **Term:** **14 Years**

(21) **Appl. No.:** **29/376,870**

(22) **Filed:** **Oct. 13, 2010**

(51) **LOC (9) Cl.** **12-16**

(52) **U.S. Cl.** **D12/209**

(58) **Field of Classification Search** D12/204-213;
301/37.101, 64.101, 65, 64.201
See application file for complete search history.

(56) **References Cited**

U.S. PATENT DOCUMENTS

D396,680 S *	8/1998	Kuribayashi	D12/209
D408,344 S *	4/1999	Kelley	D12/209
D414,155 S *	9/1999	Doyle	D12/211
D415,091 S *	10/1999	Echazabal	D12/209
D415,728 S *	10/1999	Chung	D12/209
D419,943 S *	2/2000	Roesianto	D12/209
D420,319 S *	2/2000	Ruslan	D12/209
D420,638 S *	2/2000	Herrera	D12/209
D430,842 S *	9/2000	Chinellato	D12/209
D436,338 S *	1/2001	Hussaini et al.	D12/209
D450,650 S *	11/2001	Cinibulk	D12/211
D455,701 S *	4/2002	McMath	D12/209
D523,799 S *	6/2006	Ianniello	D12/209
D547,251 S *	7/2007	Baum	D12/209

* cited by examiner

Primary Examiner — Stacia Cadmus

(74) *Attorney, Agent, or Firm* — Garcia-Zamor IP Law; Ruy M. Garcia-Zamor

(57) **CLAIM**

The ornamental design for a wheel, as shown and described.

DESCRIPTION

FIG. 1 is a perspective view of a wheel showing my new design;

FIG. 2 is a front elevational view of the wheel of FIG. 1;

FIG. 3 is a left side elevational view of the wheel of FIG. 1, the right side elevational view of the wheel of FIG. 1 is a mirror image of FIG. 3;

FIG. 4 is a top plan view of the wheel of FIG. 1;

FIG. 5 is a bottom plan view of the wheel of FIG. 1;

FIG. 6 is a rear elevational view of the wheel of FIG. 1;

FIG. 7 is a perspective view of a wheel according to a second preferred embodiment of my new design;

FIG. 8 is a front elevational view of the wheel of FIG. 7;

FIG. 9 is a left side elevational view of the wheel of FIG. 7, the right side elevational view of the wheel of FIG. 7 is a mirror image of FIG. 9;

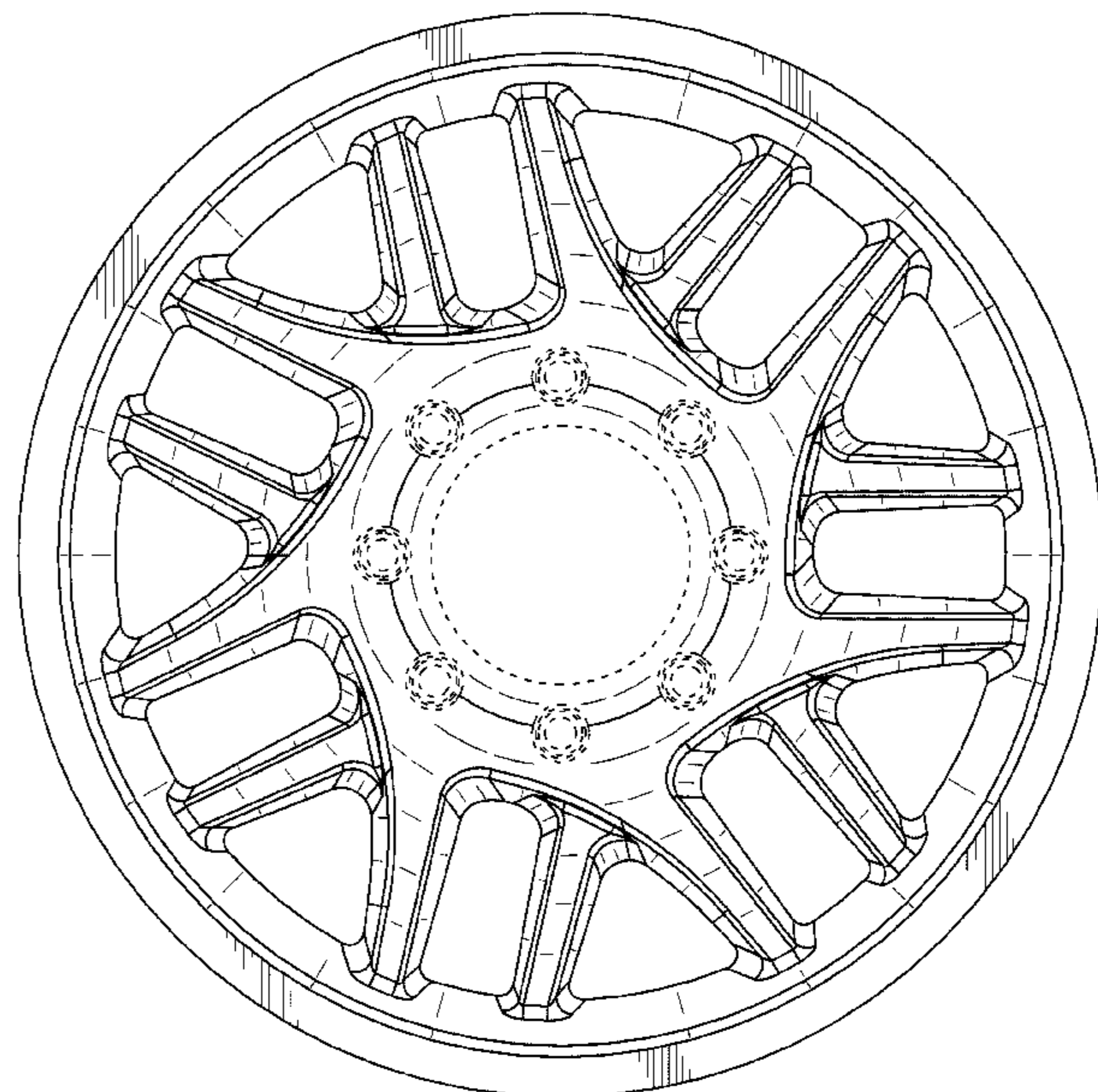
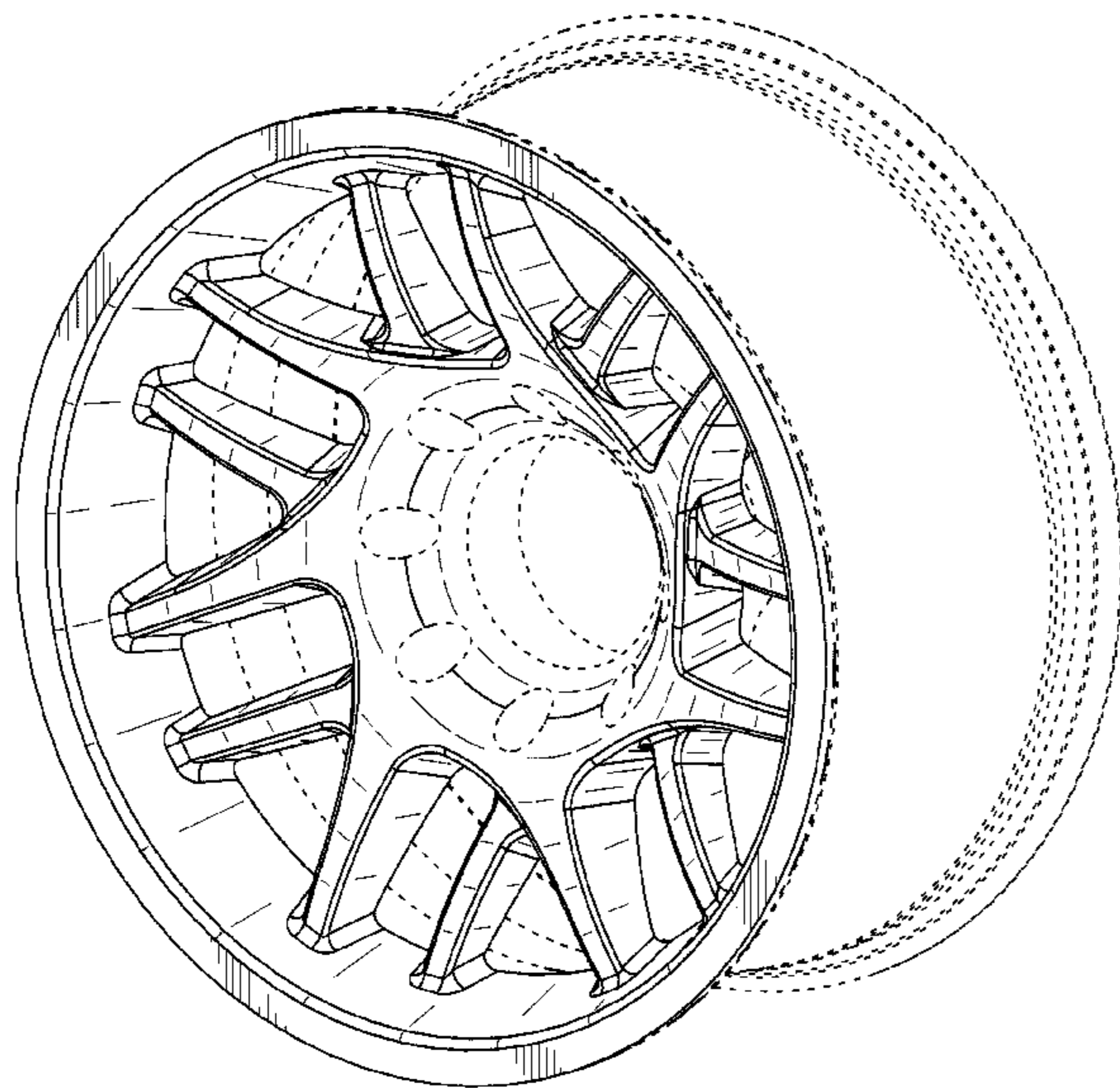
FIG. 10 is a top plan view of the wheel of FIG. 7;

FIG. 11 is a bottom plan view of the wheel of FIG. 7; and,

FIG. 12 is a rear elevational view of the wheel of FIG. 7.

The broken lines in FIGS. 1-12 represent environment and are for illustrative purposes only and do not constitute part of the claimed design.

1 Claim, 10 Drawing Sheets



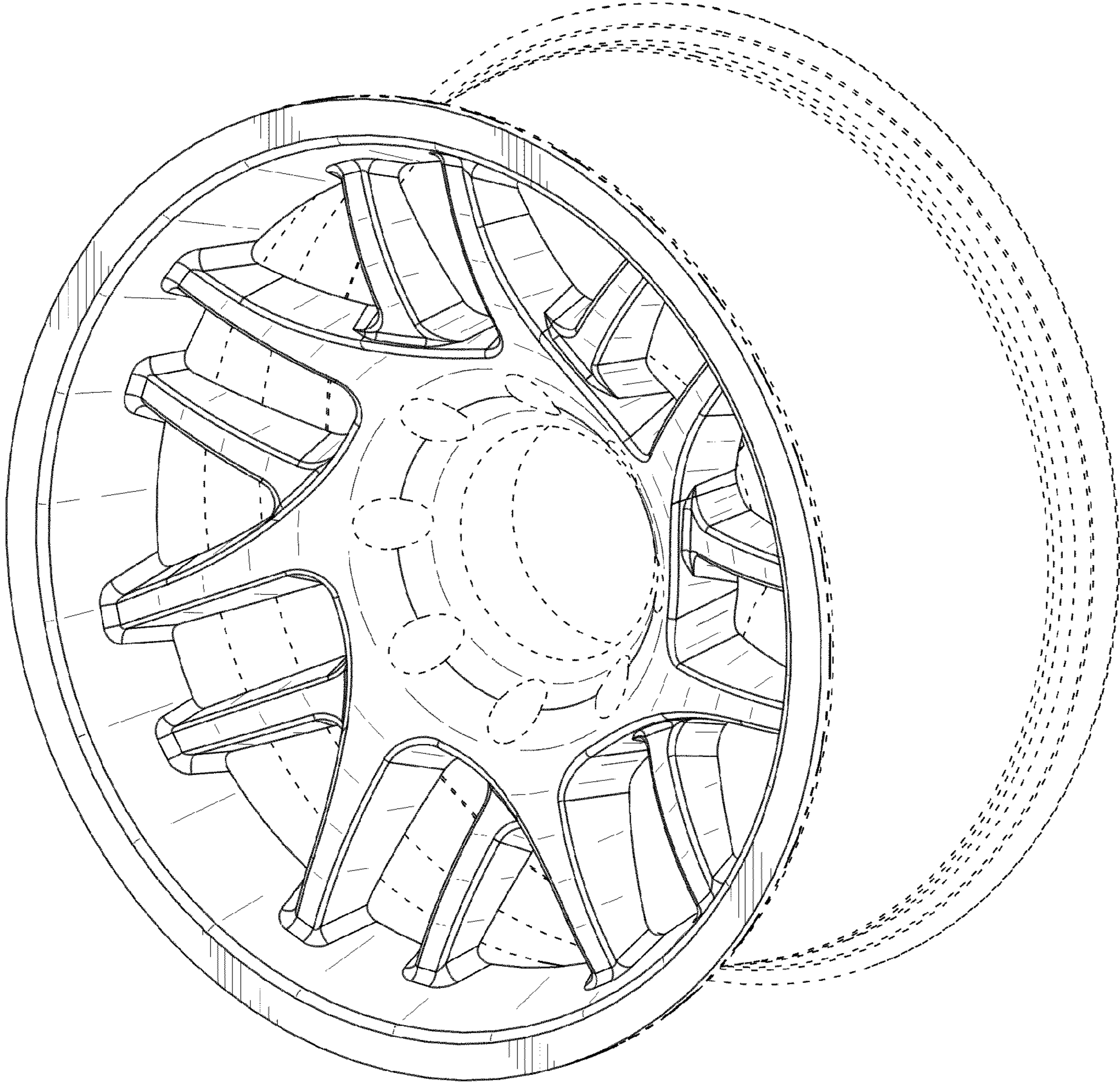


FIG. 1

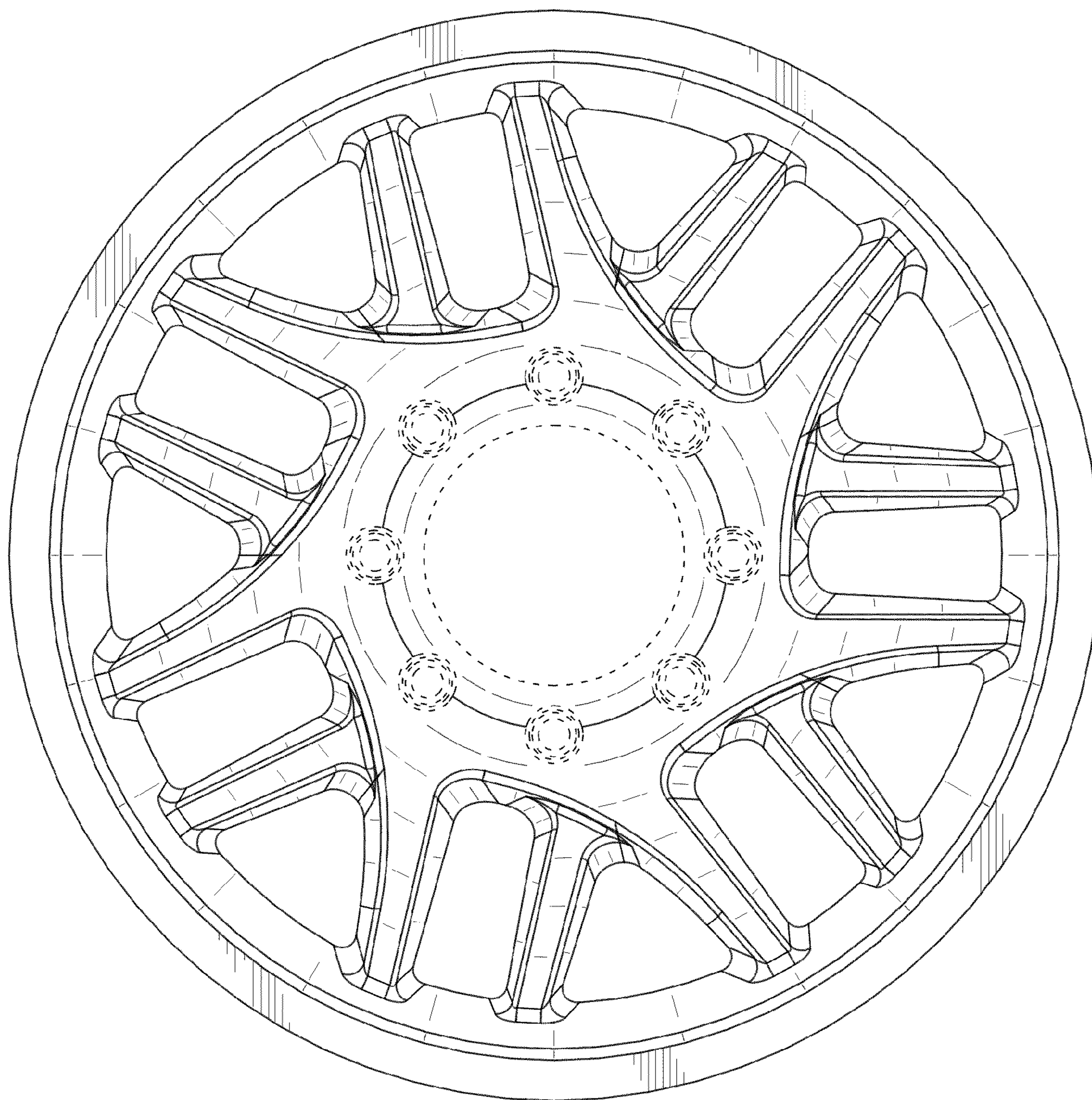


FIG. 2

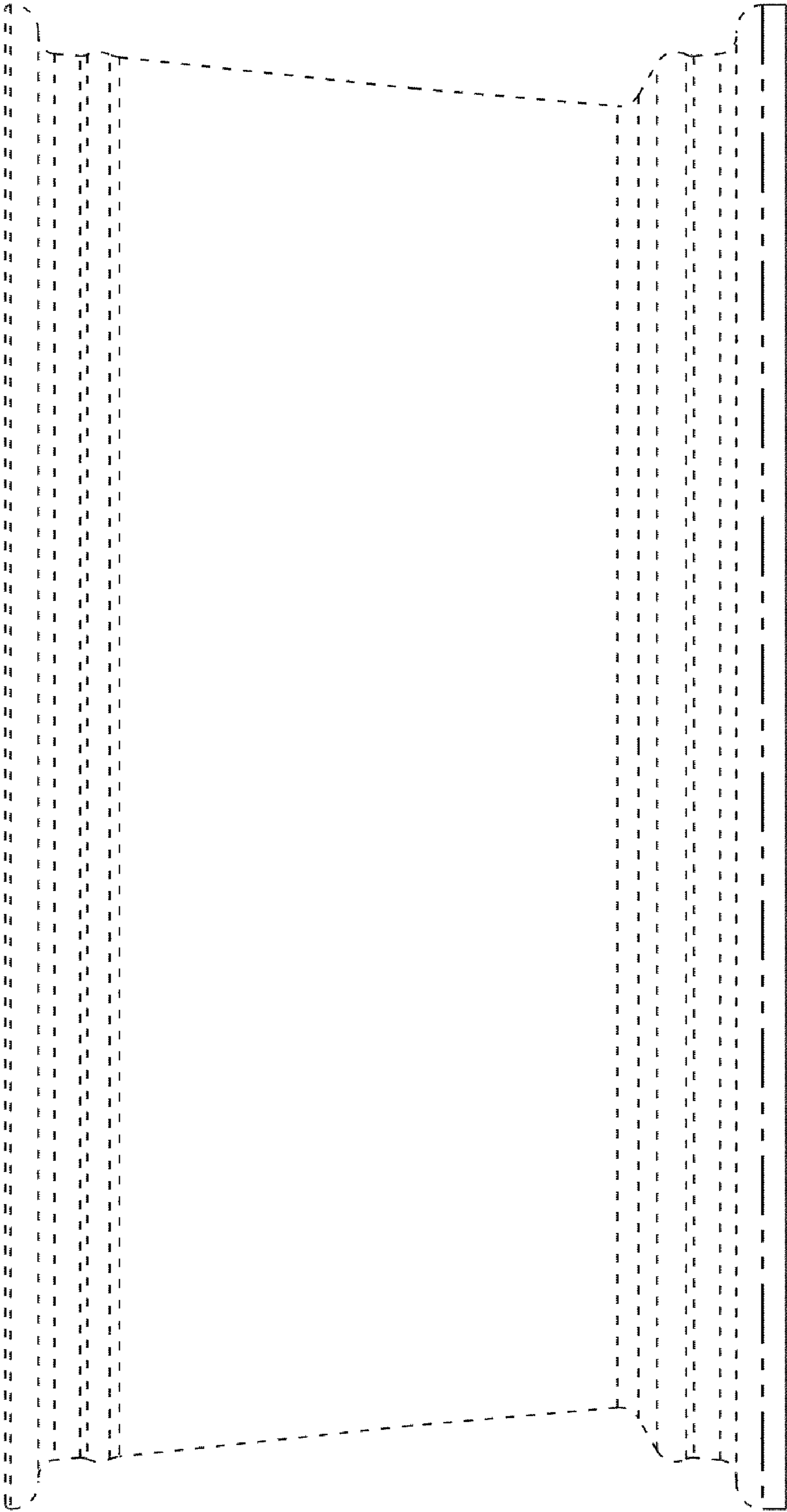


FIG. 3



FIG. 4



FIG. 5

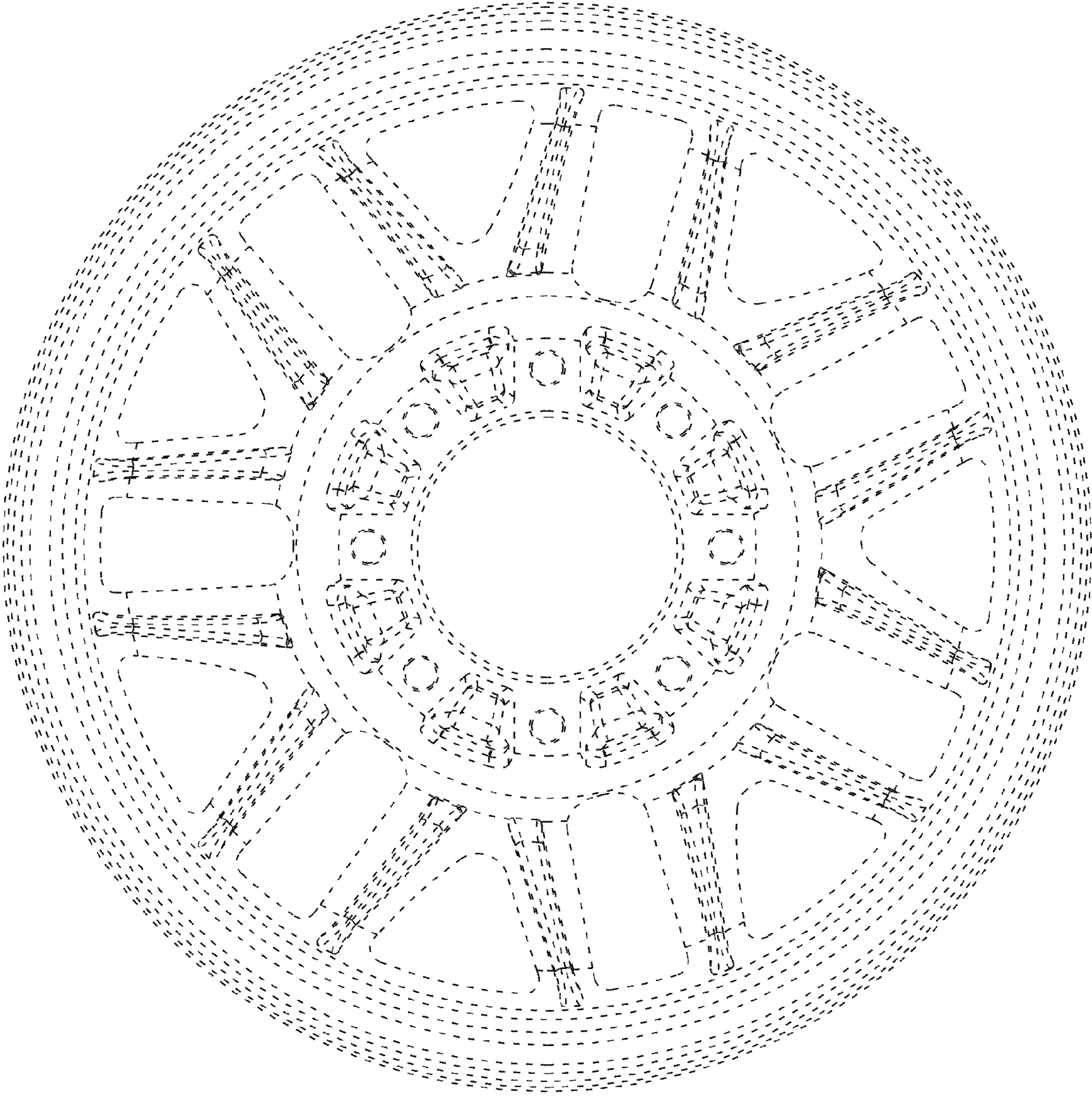


FIG. 6

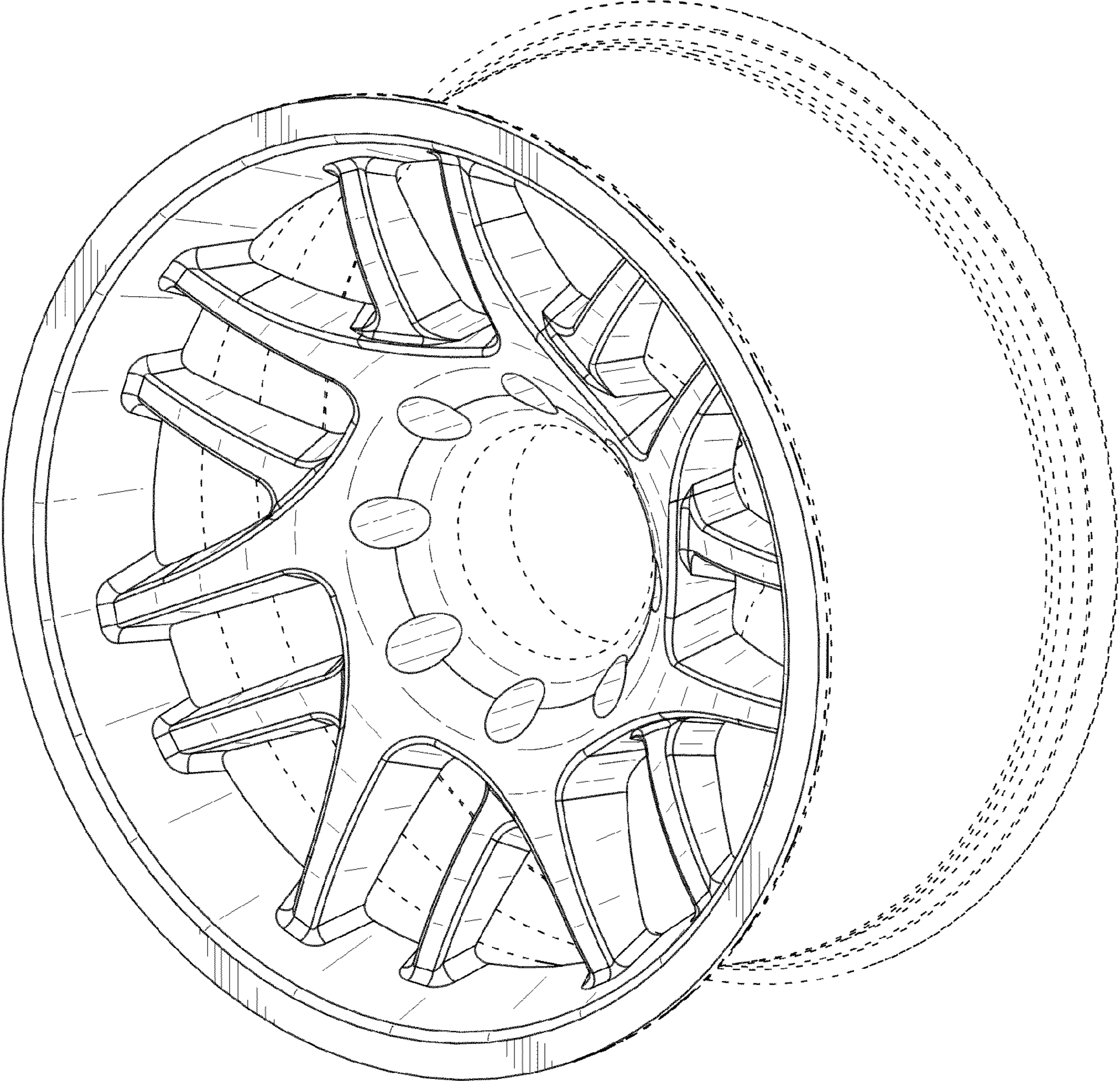


FIG. 7

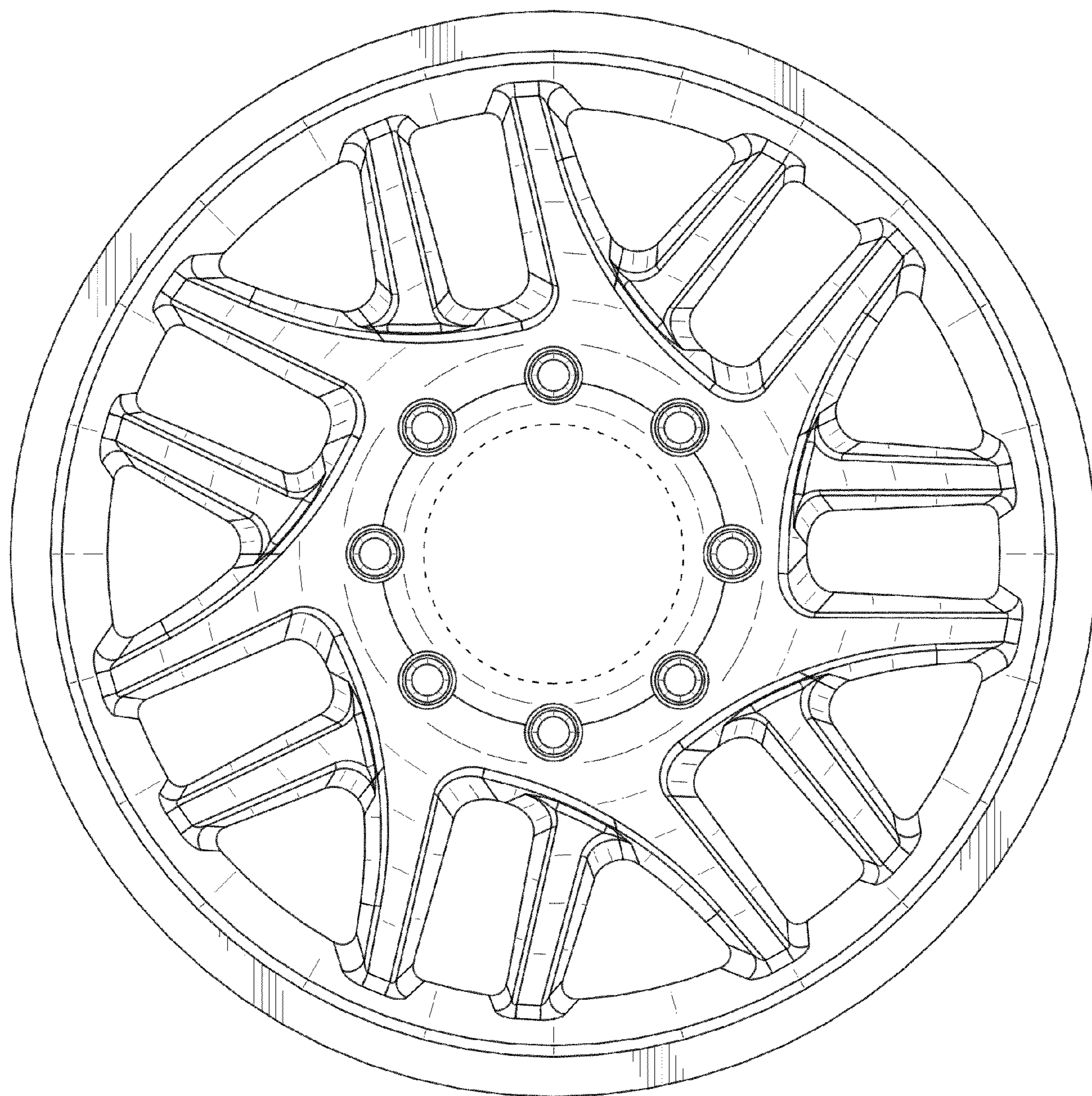


FIG. 8

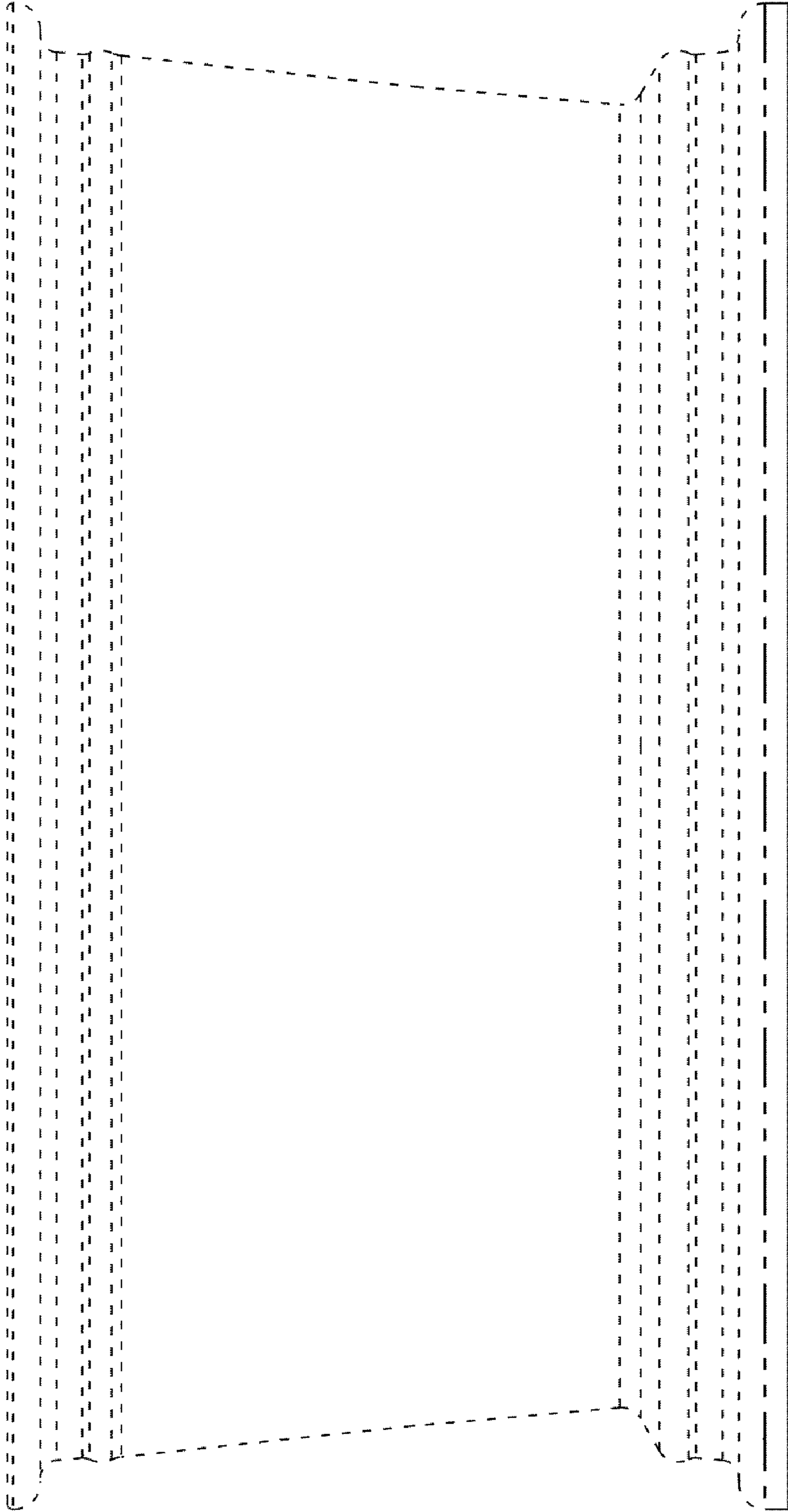


FIG. 9



FIG. 10

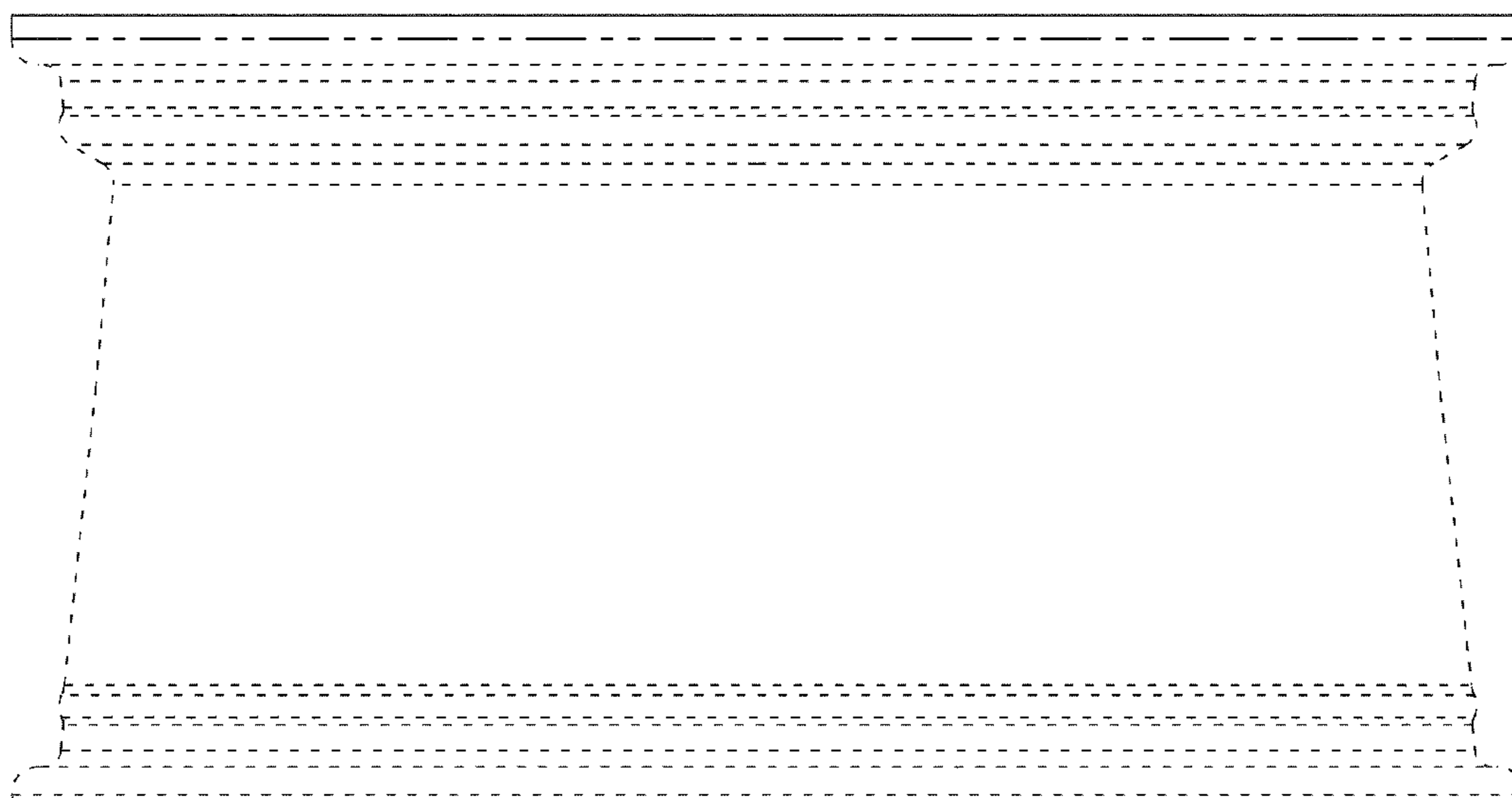


FIG. 11

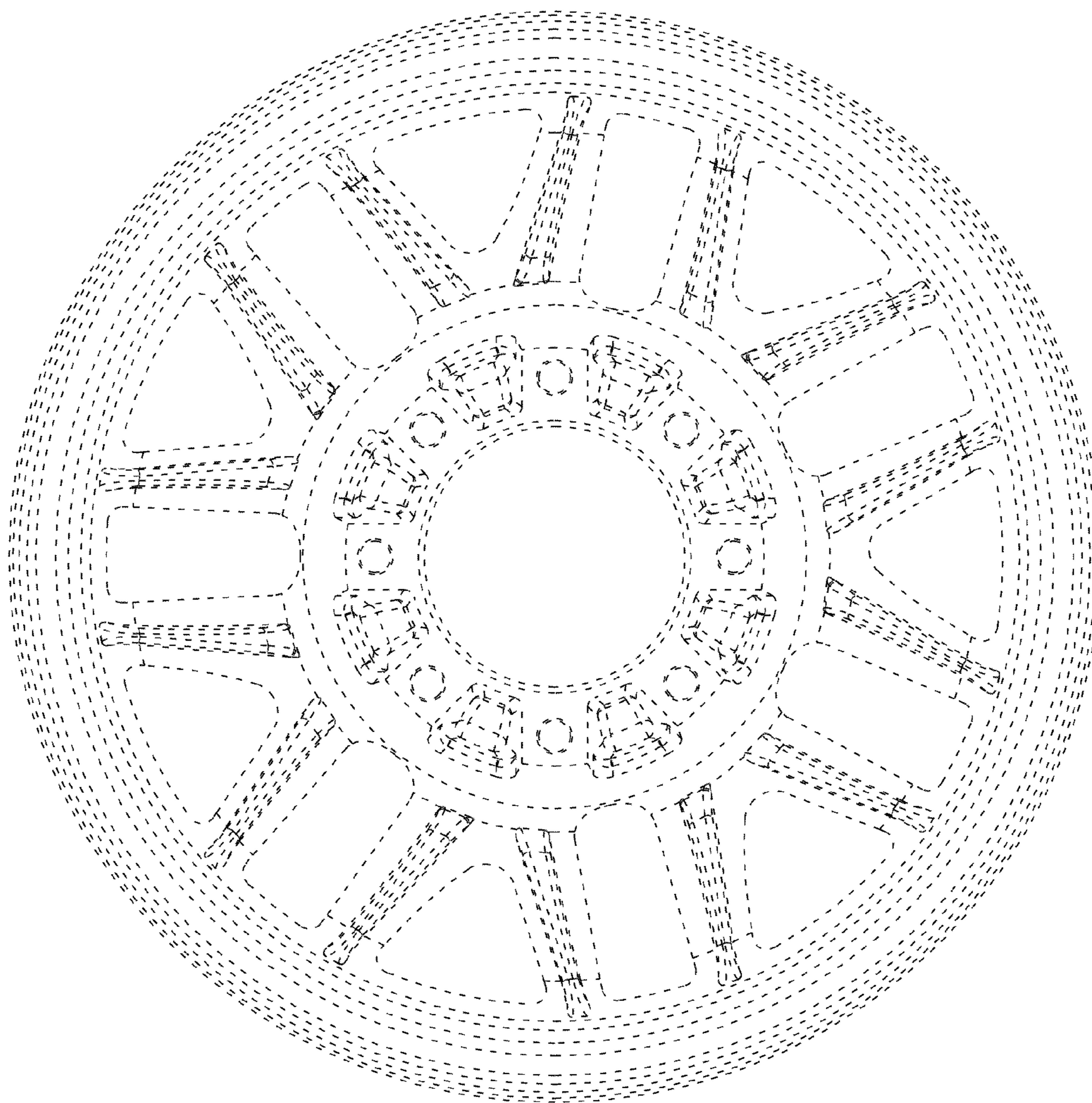


FIG. 12