



US00D651957S

(12) **United States Design Patent**  
**Chung**

(10) **Patent No.:** **US D651,957 S**  
(45) **Date of Patent:** **\*\* Jan. 10, 2012**

- (54) **WHEEL**
- (75) Inventor: **Suny Chung**, Yorba Linda, CA (US)
- (73) Assignee: **Wheel Pros, LLC**, Lakewood, CO (US)
- (\*\*) Term: **14 Years**
- (21) Appl. No.: **29/359,526**
- (22) Filed: **Apr. 13, 2010**
- (51) **LOC (9) Cl.** ..... **12-16**
- (52) **U.S. Cl.** ..... **D12/209**
- (58) **Field of Classification Search** ..... D12/204-213;  
301/37.101, 64.101, 65, 64.201  
See application file for complete search history.

(56) **References Cited**

**U.S. PATENT DOCUMENTS**

D375,073 S *	10/1996	Theiss .....	D12/209
D383,429 S *	9/1997	Muzzarelli et al. ....	D12/211
D485,523 S *	1/2004	Takechi .....	D12/209
D495,985 S *	9/2004	Lai .....	D12/209
D515,996 S *	2/2006	Baumgartner .....	D12/209
D528,954 S *	9/2006	Laengerer .....	D12/209
D535,240 S *	1/2007	Chang .....	D12/211
D595,631 S *	7/2009	Musser .....	D12/211
D639,220 S *	6/2011	Zhao .....	D12/209
D641,302 S *	7/2011	Ettensberger .....	D12/211

\* cited by examiner

*Primary Examiner* — Stacia Cadmus

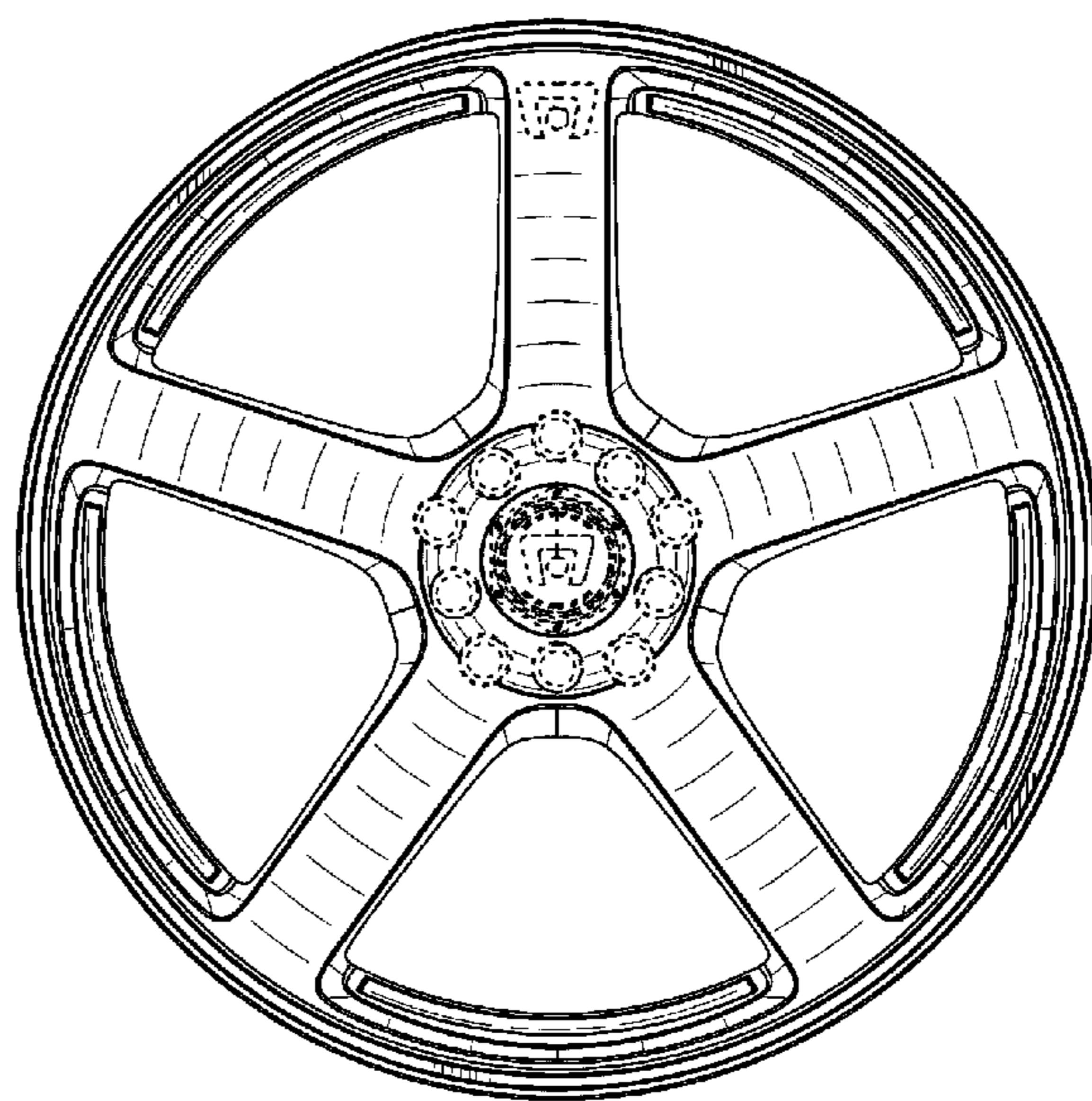
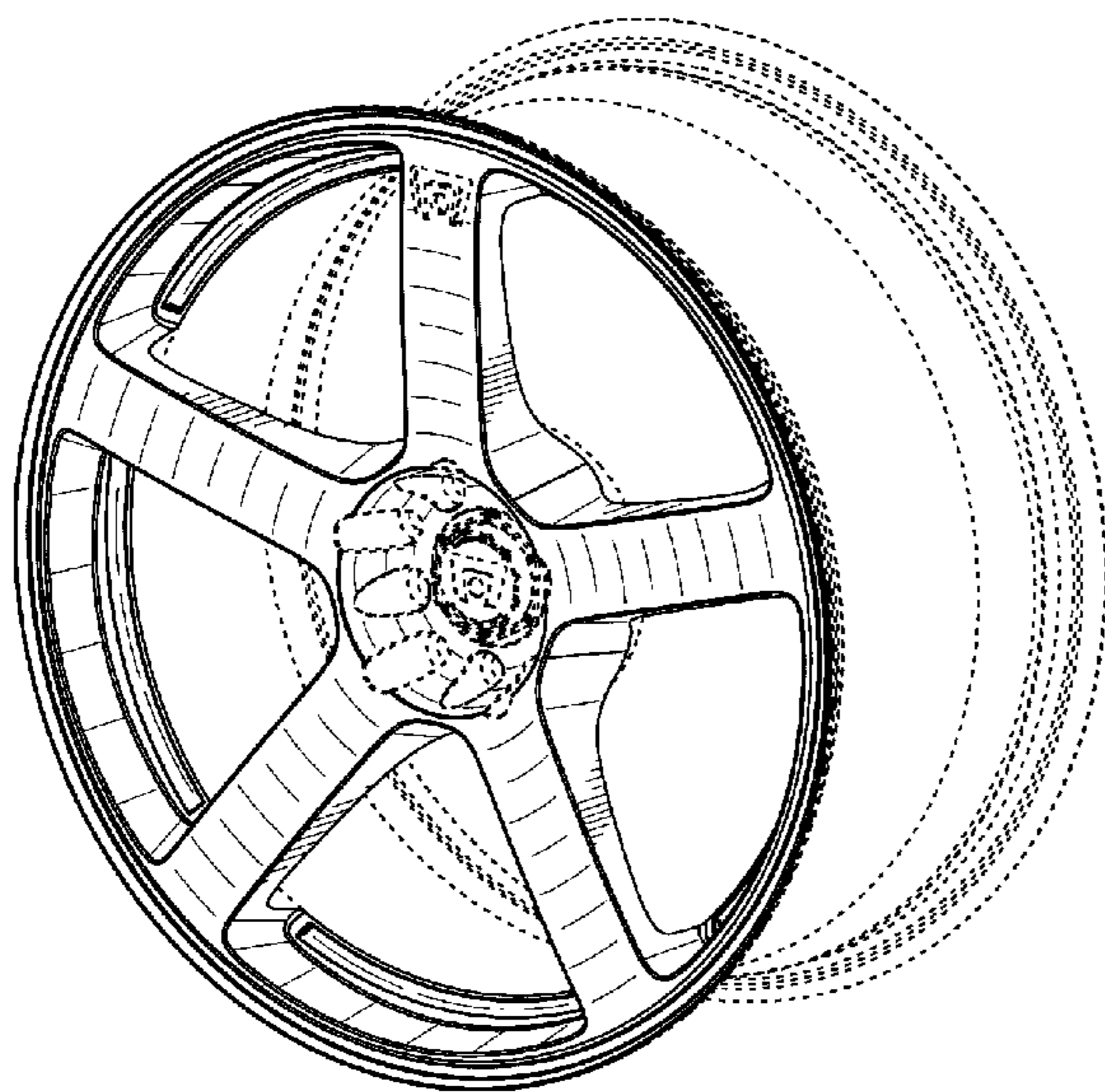
(74) *Attorney, Agent, or Firm* — Garcia-Zamor IP Law; Ruy M. Garcia-Zamor

(57) **CLAIM**  
The ornamental design for a wheel, as shown and described.

**DESCRIPTION**

FIG. 1 is a perspective view of a wheel showing my new design;  
 FIG. 2 is a front elevational view of the wheel of FIG. 1;  
 FIG. 3 is a left side elevational view of the wheel of FIG. 1, the right side elevational view of the wheel of FIG. 1 is a mirror image of FIG. 3;  
 FIG. 4 is a top plan view of the wheel of FIG. 1;  
 FIG. 5 is a bottom plan view of the wheel of FIG. 1;  
 FIG. 6 is a rear elevational view of the wheel of FIG. 1;  
 FIG. 7 is a perspective view of a wheel according to a second preferred embodiment of my new design;  
 FIG. 8 is a front elevational view of the wheel of FIG. 7;  
 FIG. 9 is a left side elevational view of the wheel of FIG. 7, the right side elevational view of the wheel of FIG. 7 is a mirror image of FIG. 9;  
 FIG. 10 is a top plan view of the wheel of FIG. 7;  
 FIG. 11 is a bottom plan view of the wheel of FIG. 7; and,  
 FIG. 12 is a rear elevational view of the wheel of FIG. 7.  
 The broken lines in FIGS. 1-12 represent environment and are for illustrative purposes only and do not constitute part of the claimed design.

**1 Claim, 10 Drawing Sheets**



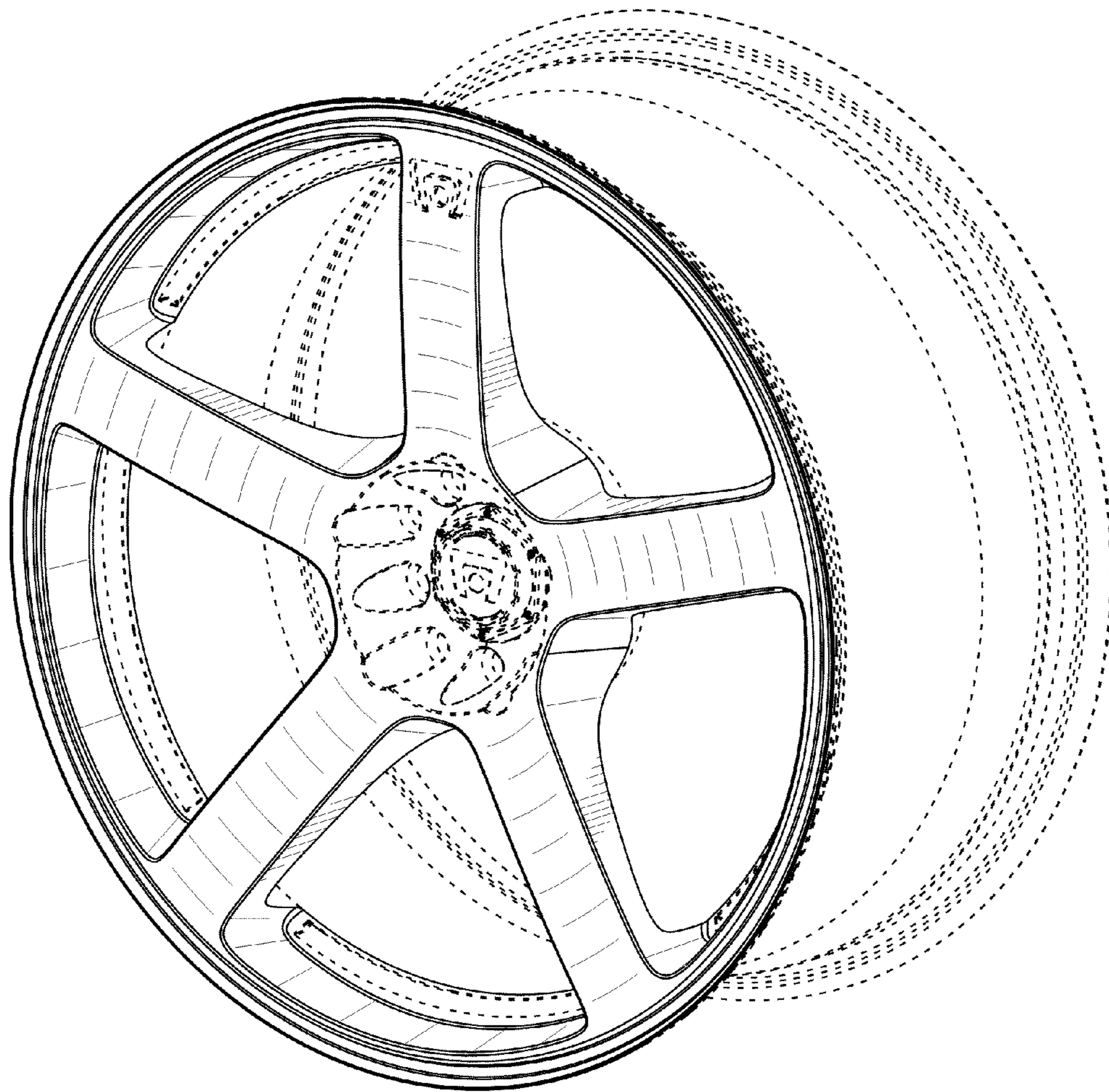


FIG. 1



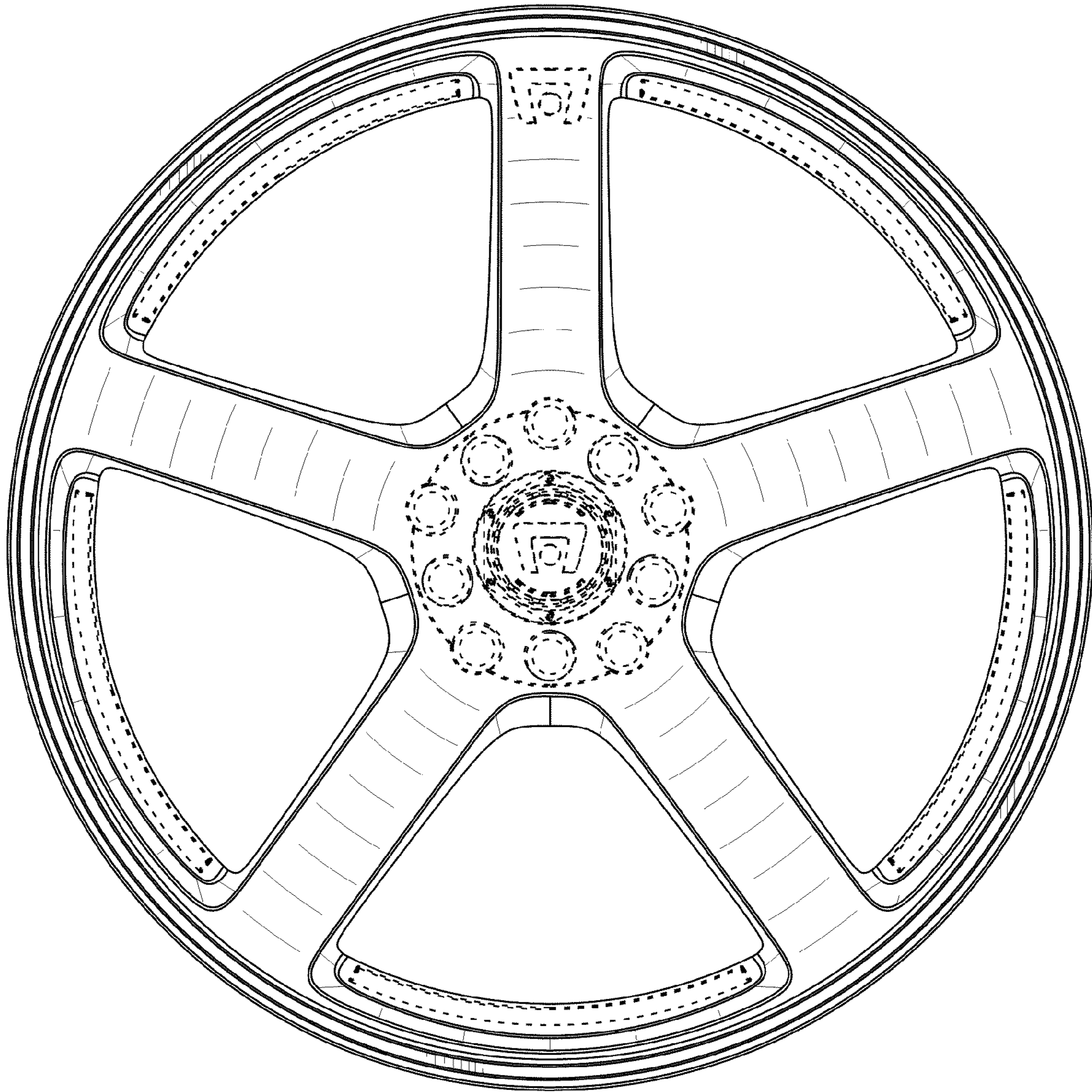


FIG. 2

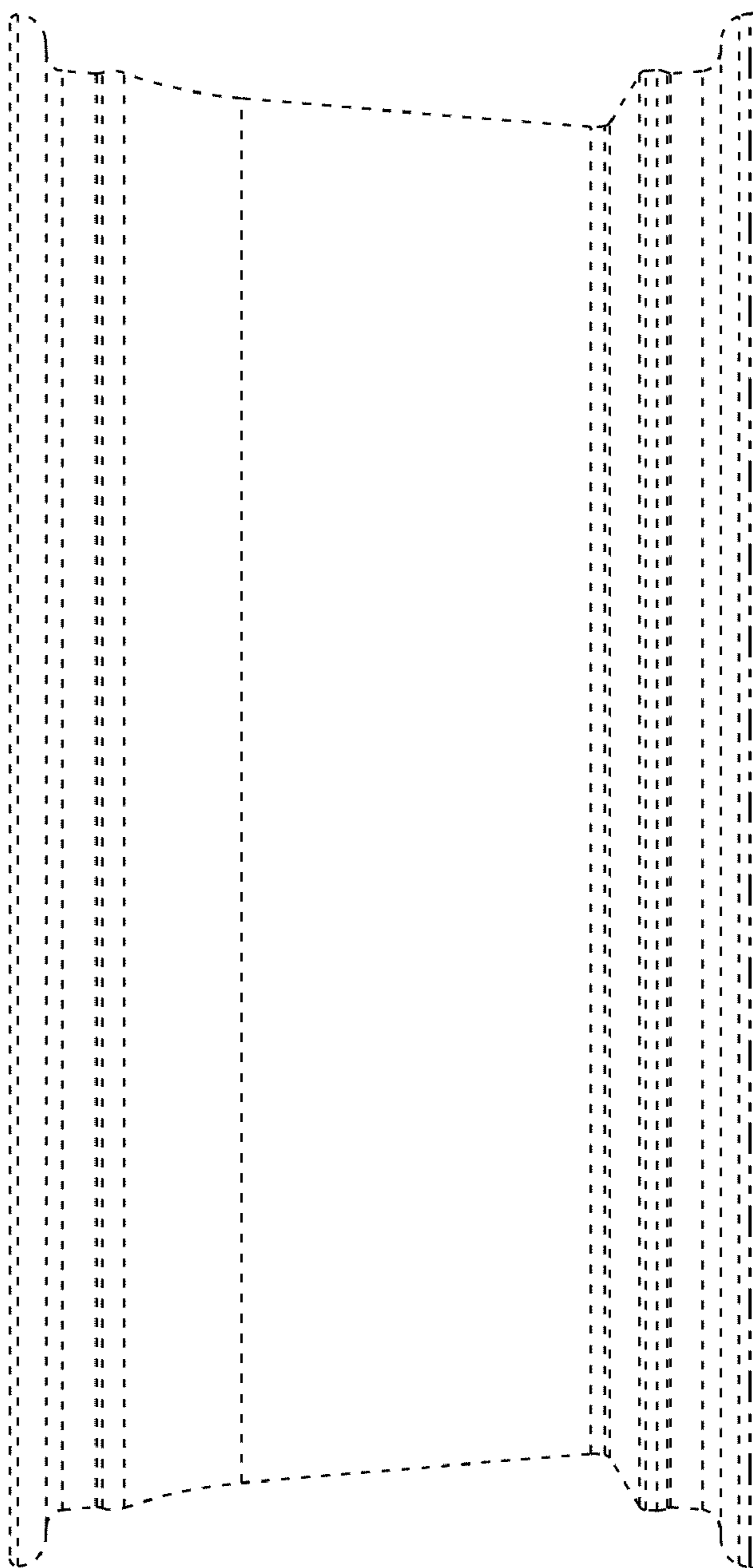


FIG. 3

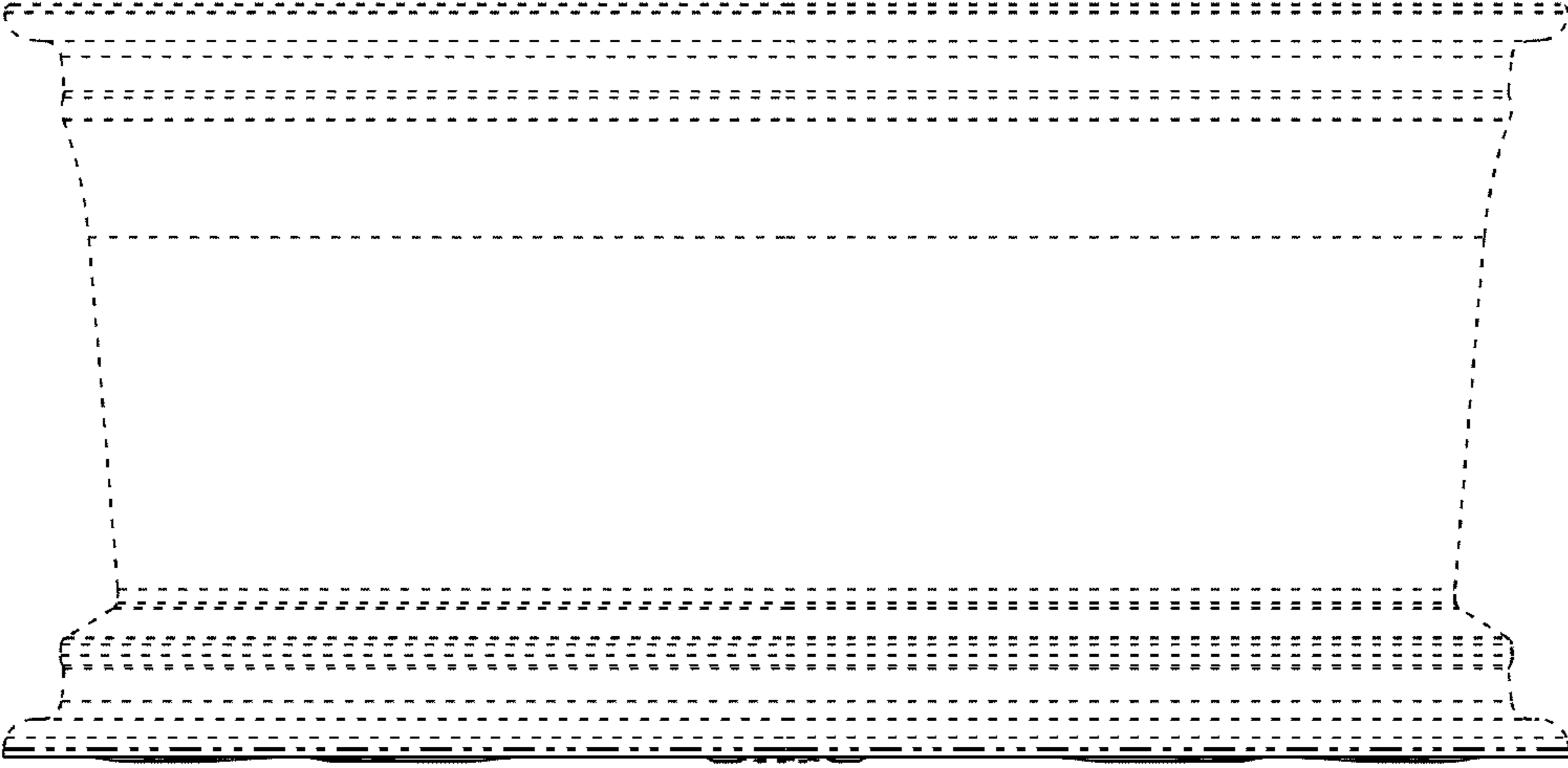


FIG. 4

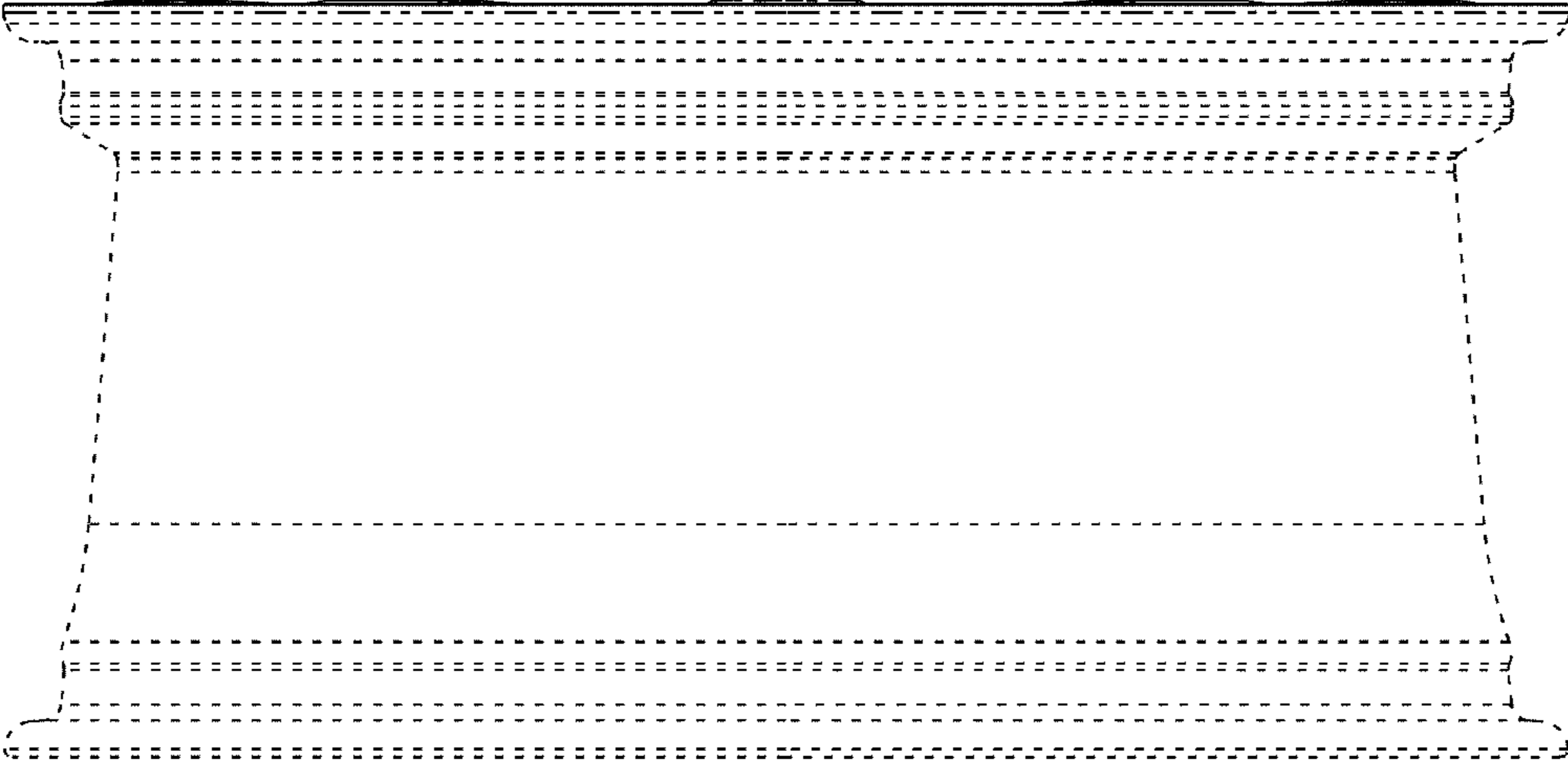


FIG. 5

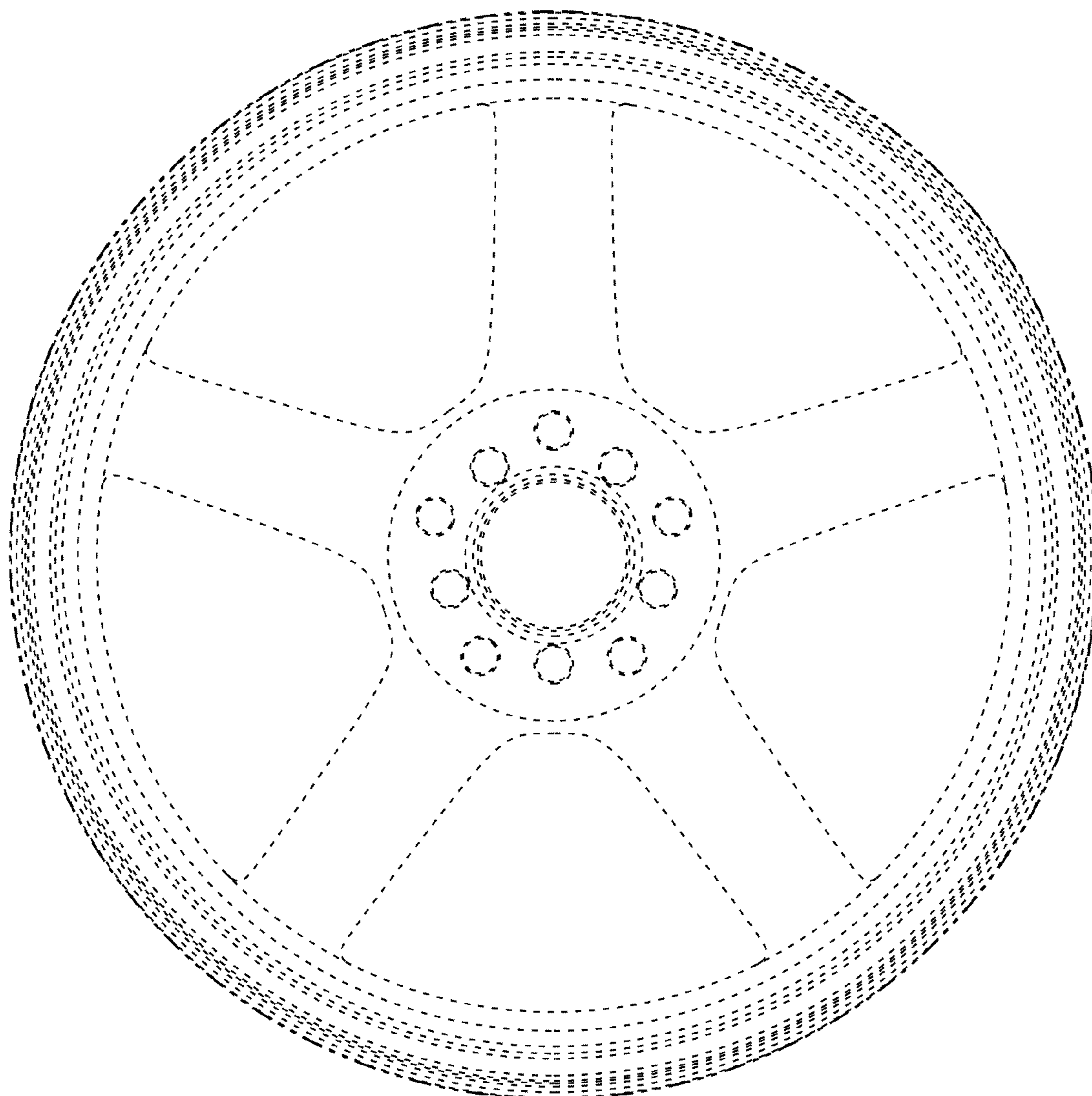


FIG. 6



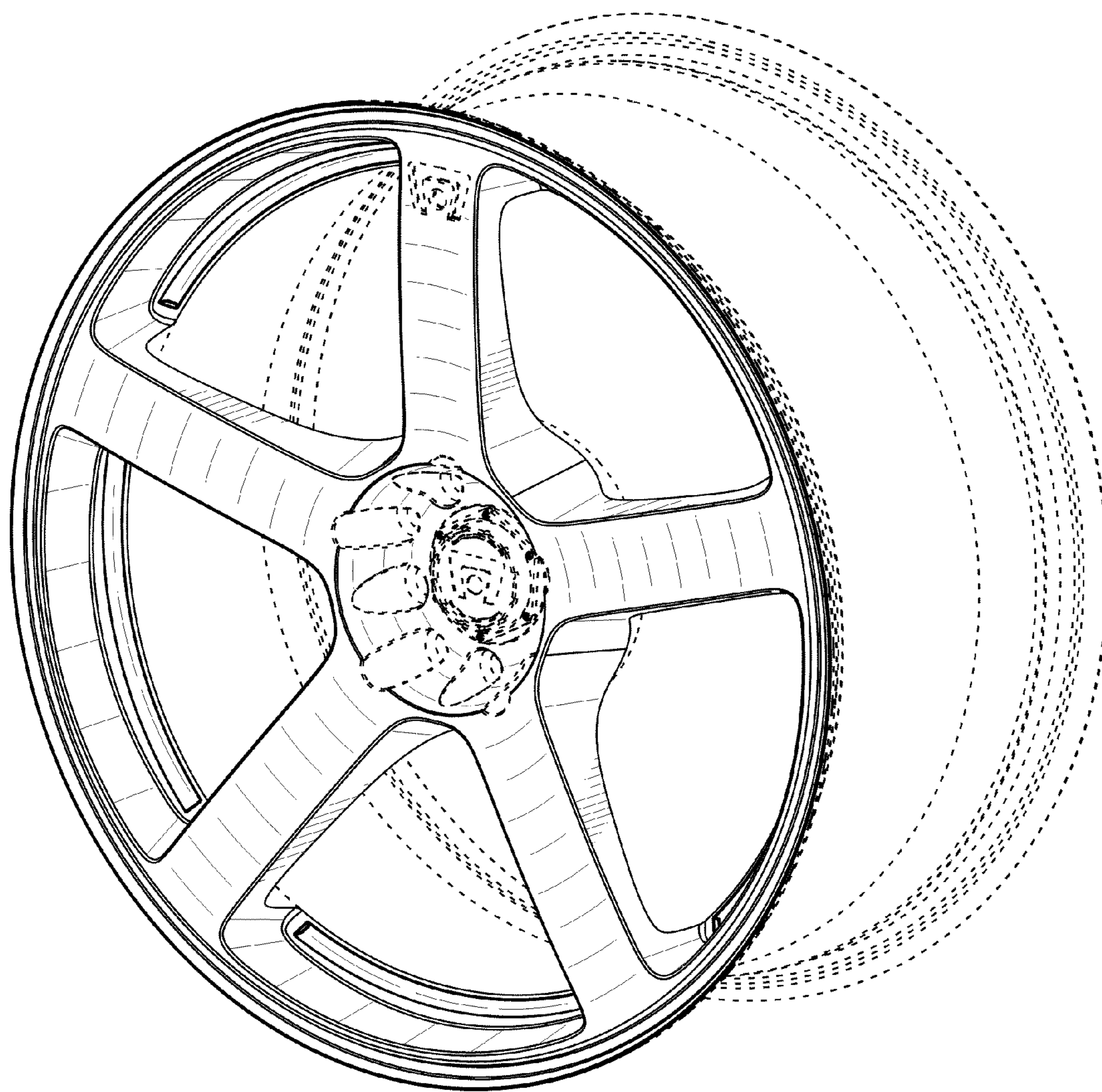


FIG. 7

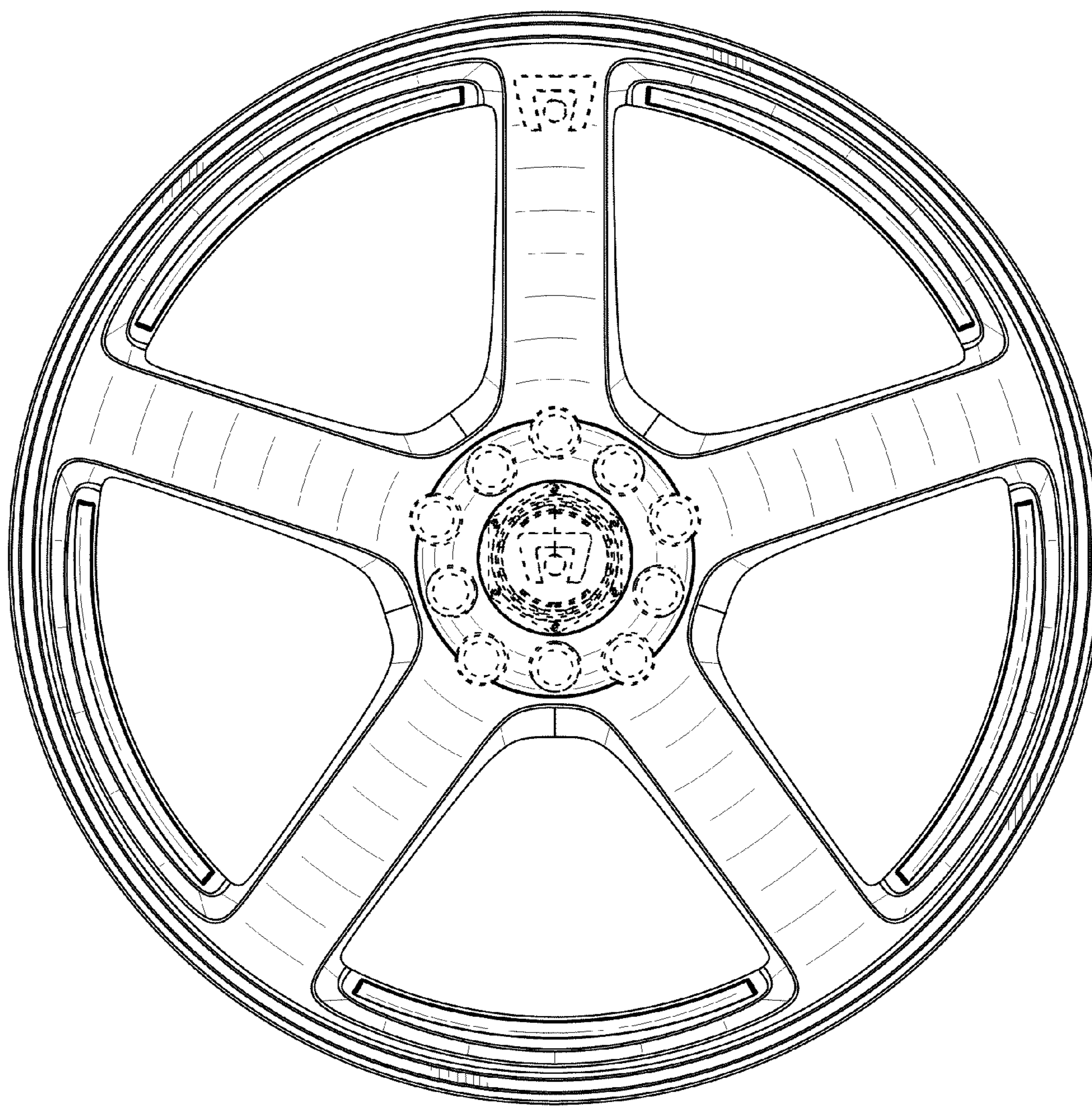


FIG. 8



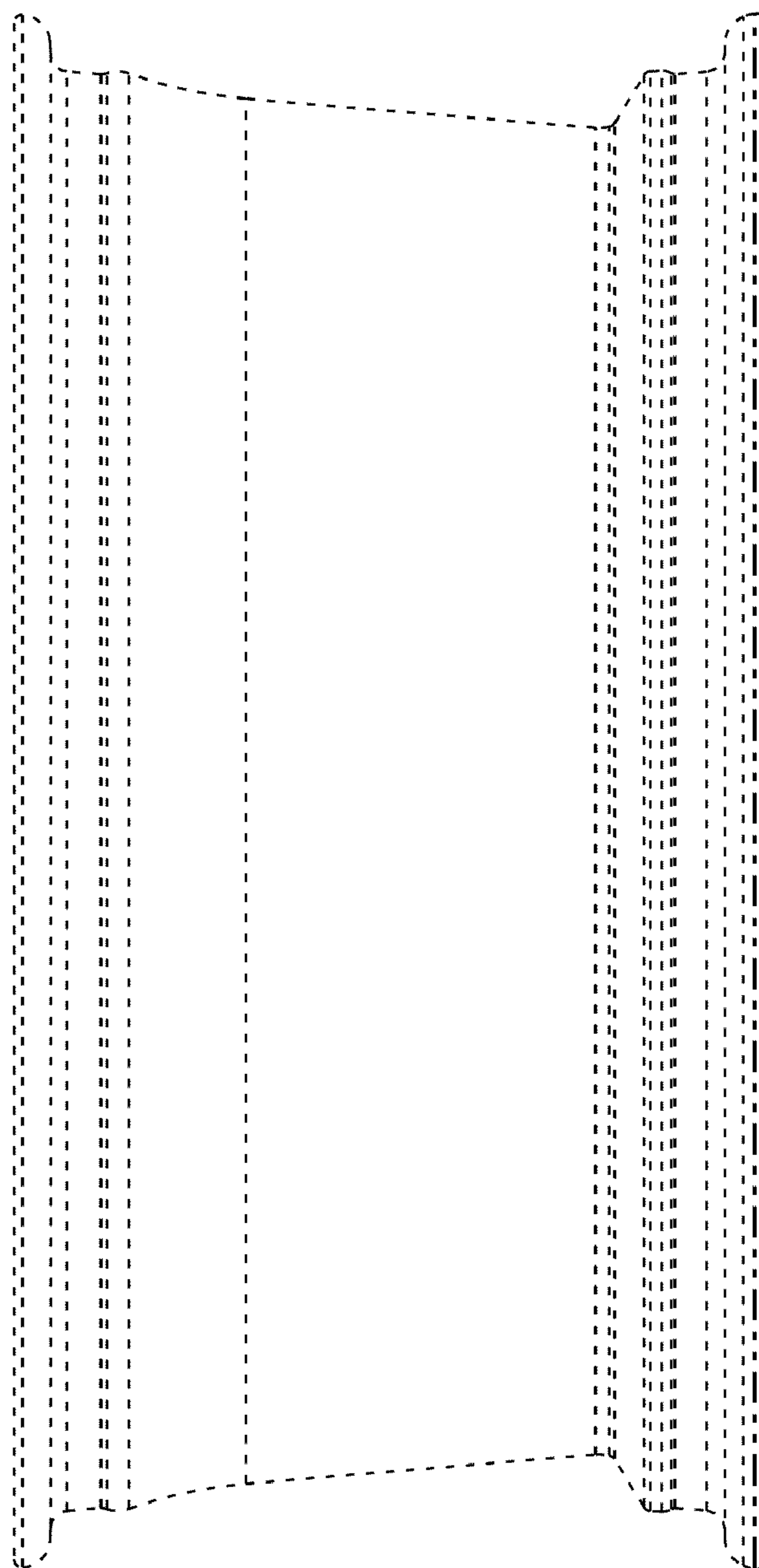


FIG. 9

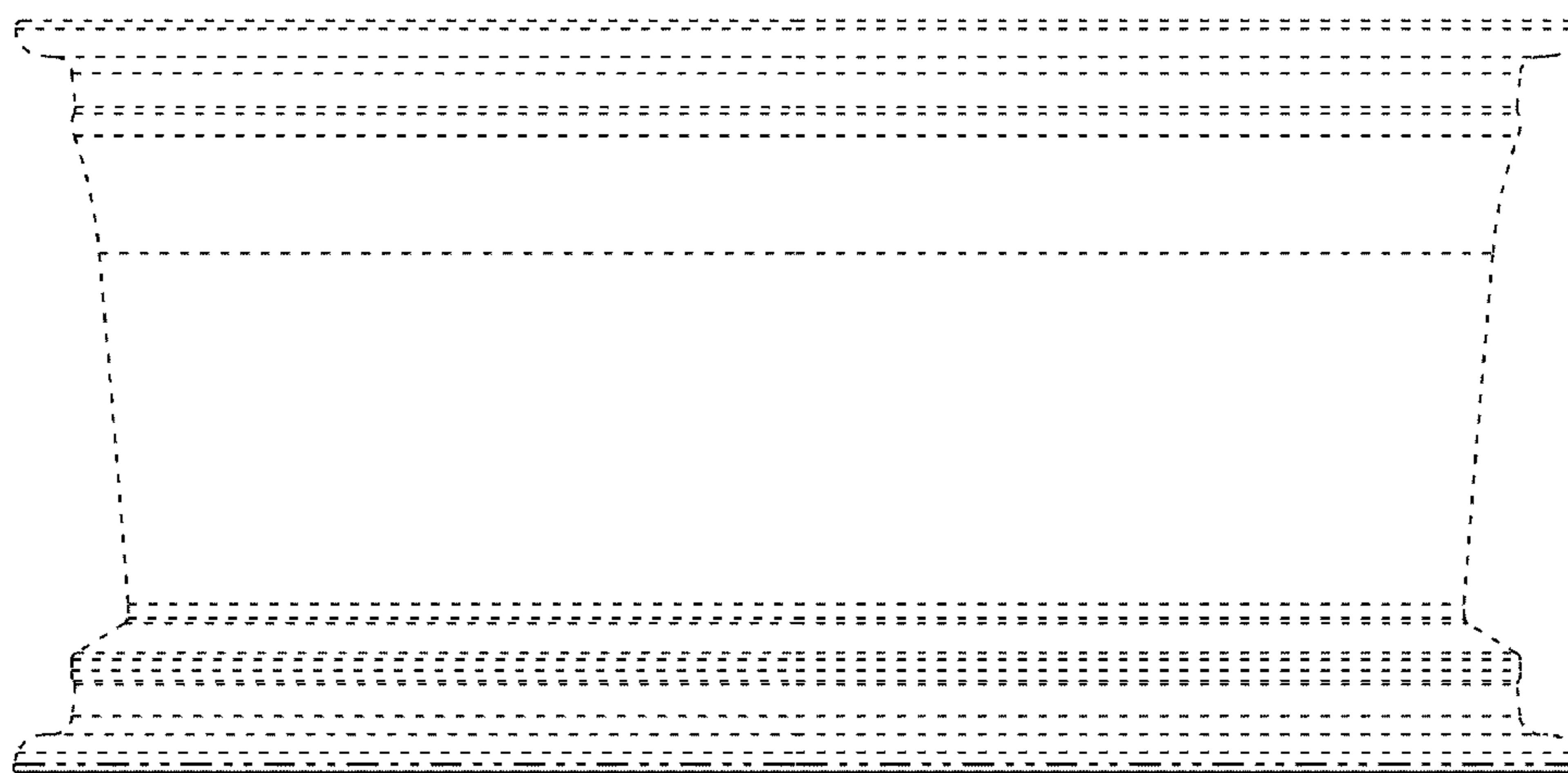


FIG. 10

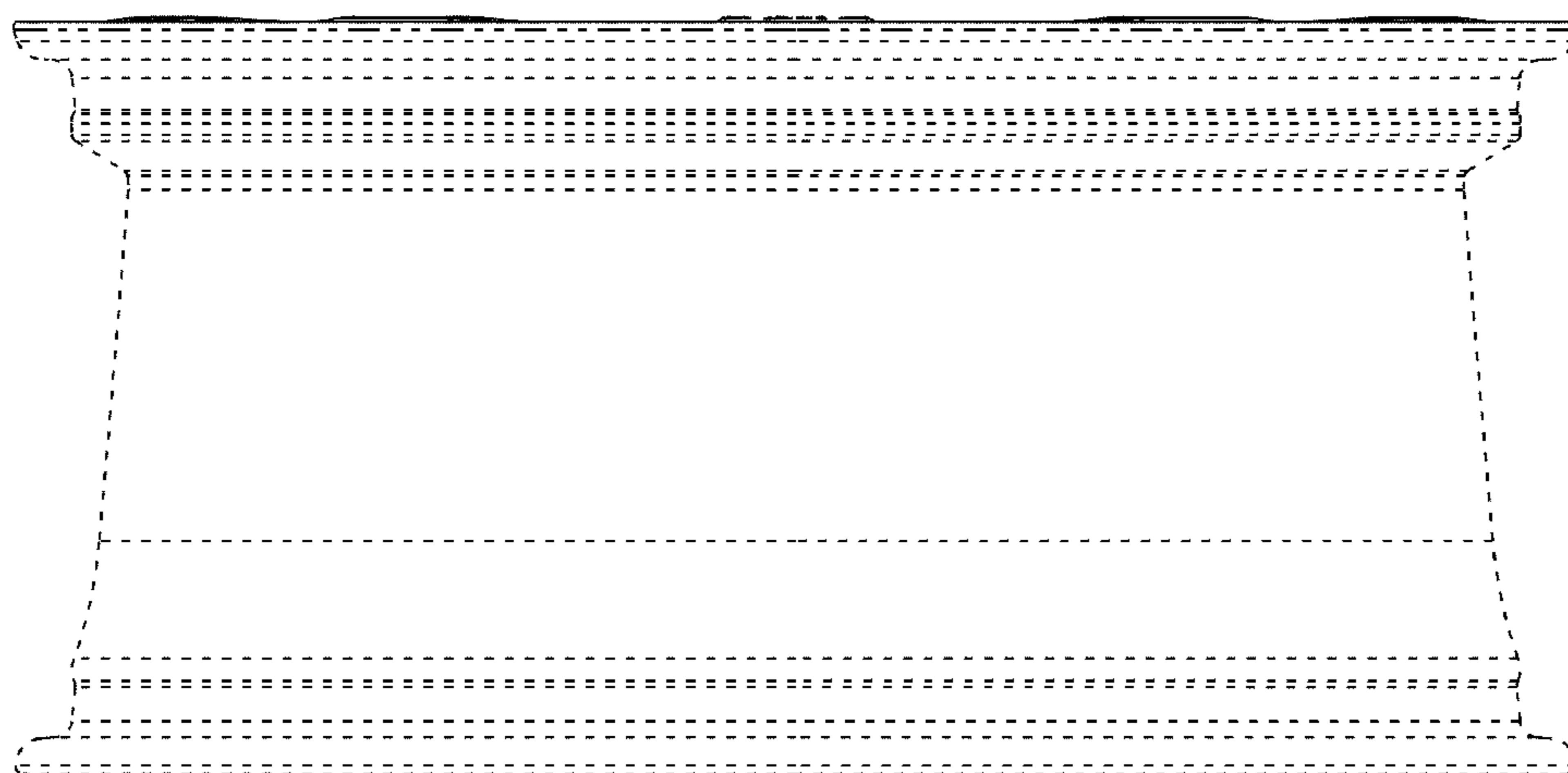


FIG. 11

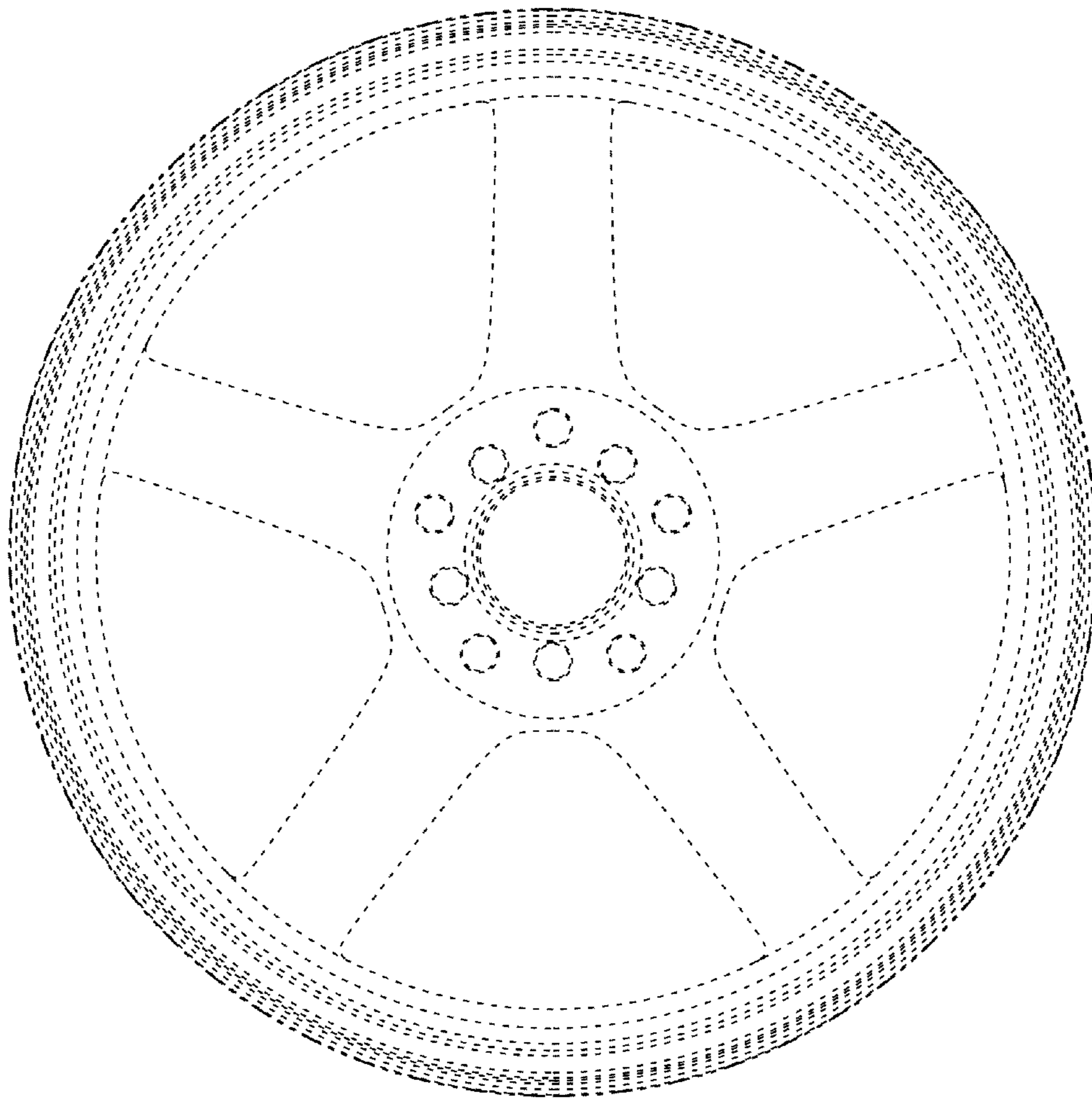


FIG. 12