



US00D651950S

(12) **United States Design Patent**
Song

(10) **Patent No.:** **US D651,950 S**
(45) **Date of Patent:** **** Jan. 10, 2012**

(54) **TONE WHEEL FOR AUTOMOBILES**

(75) Inventor: **Jaehwan Song**, Daegu (KR)

(73) Assignee: **Yusung FT**, Daegu (KR)

(**) Term: **14 Years**

(21) Appl. No.: **29/342,308**

(22) Filed: **Aug. 21, 2009**

(30) **Foreign Application Priority Data**

Feb. 26, 2009 (KR) 30-2009-0008407

(51) **LOC (9) Cl.** **12-16**

(52) **U.S. Cl.** **D12/180**

(58) **Field of Classification Search** D12/400,
D12/82-83, 197, 199, 421, 196, 210, 223;
40/218; D29/101.1-101.5; 188/72.2, 73.31;
324/166, 174, 208, 207.12, 207.15, 207.22-207.25;
384/448, 446; 310/156, 168

See application file for complete search history.

(56) **References Cited**

U.S. PATENT DOCUMENTS

4,875,785	A *	10/1989	Santos et al.	384/448
4,940,937	A *	7/1990	Hattori	324/207.22
5,850,141	A *	12/1998	Adler	324/174
6,218,827	B1 *	4/2001	Ohmi et al.	324/174
6,329,814	B1 *	12/2001	Ichiman et al.	324/207.22
D467,530	S *	12/2002	Ioka et al.	D12/180
7,249,891	B2 *	7/2007	Aoki et al.	384/448

7,250,734	B1 *	7/2007	Iannello et al.	318/254.1
7,250,755	B2 *	7/2007	Tawara	324/207.25
7,454,961	B2 *	11/2008	Pirone	73/114.26

* cited by examiner

Primary Examiner — Caron D Veynar

Assistant Examiner — Katrina A Betton

(74) *Attorney, Agent, or Firm* — Dickstein Shapiro LLP

(57) **CLAIM**

The ornamental design for a tone wheel for automobiles, as shown and described.

DESCRIPTION

FIG. 1 is a perspective view of my new design for a tone wheel for automobiles;

FIG. 2 is a front view of the tone wheel for automobiles of FIG. 1;

FIG. 3 is a rear view of the tone wheel for automobiles of FIG. 1;

FIG. 4 is a left side view of the tone wheel for automobiles of FIG. 1;

FIG. 5 is a right side view of the tone wheel for automobiles of FIG. 1;

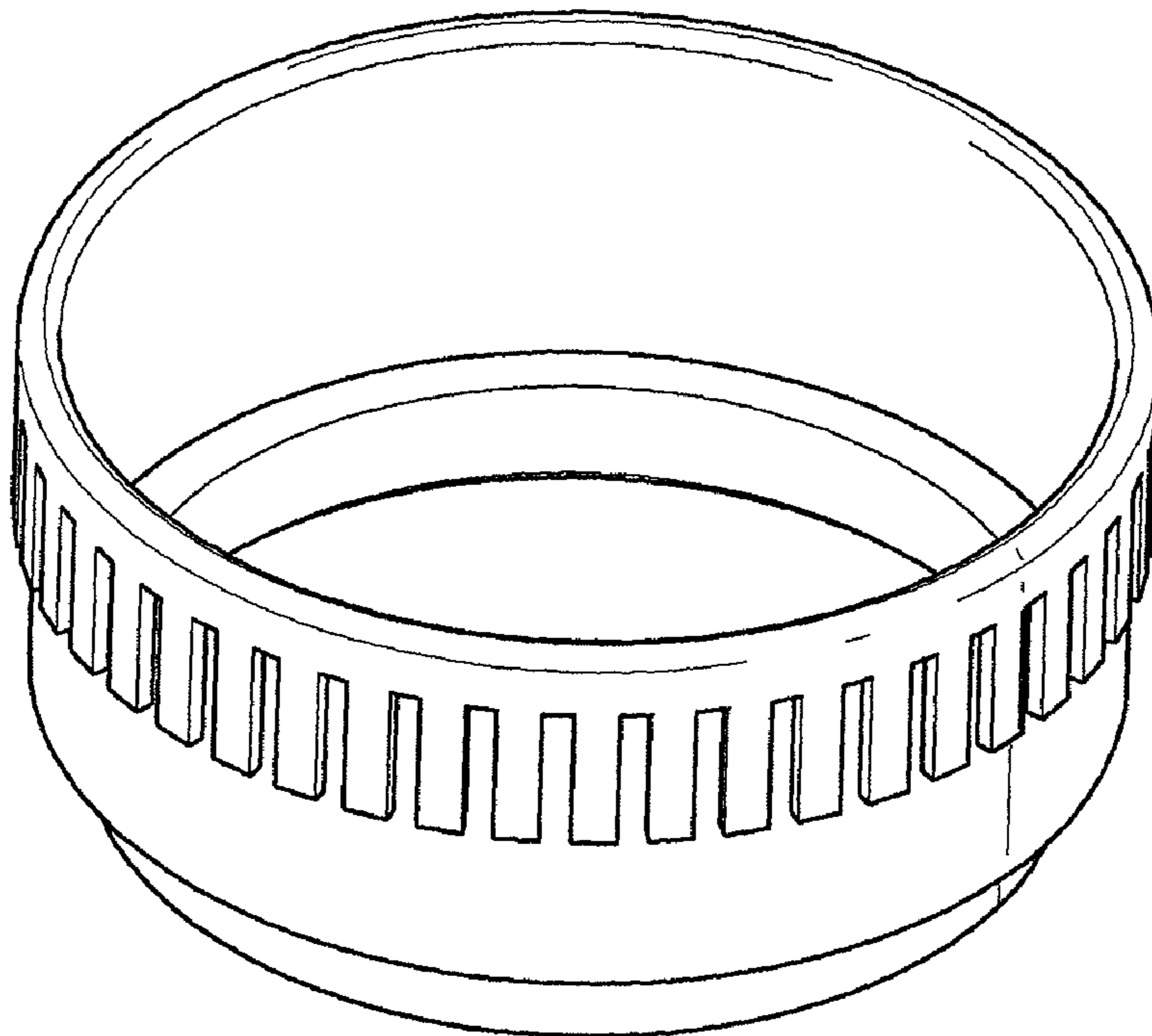
FIG. 6 is a top view of the tone wheel for automobiles of FIG. 1;

FIG. 7 is a bottom view of the tone wheel for automobiles of FIG. 1;

FIG. 8 is a bottom perspective view of the tone wheel for automobiles of FIG. 1; and,

FIG. 9 is a cross-sectional view of the tone wheel for automobiles of FIG. 6, taken along line 9-9 of FIG. 6.

1 Claim, 9 Drawing Sheets



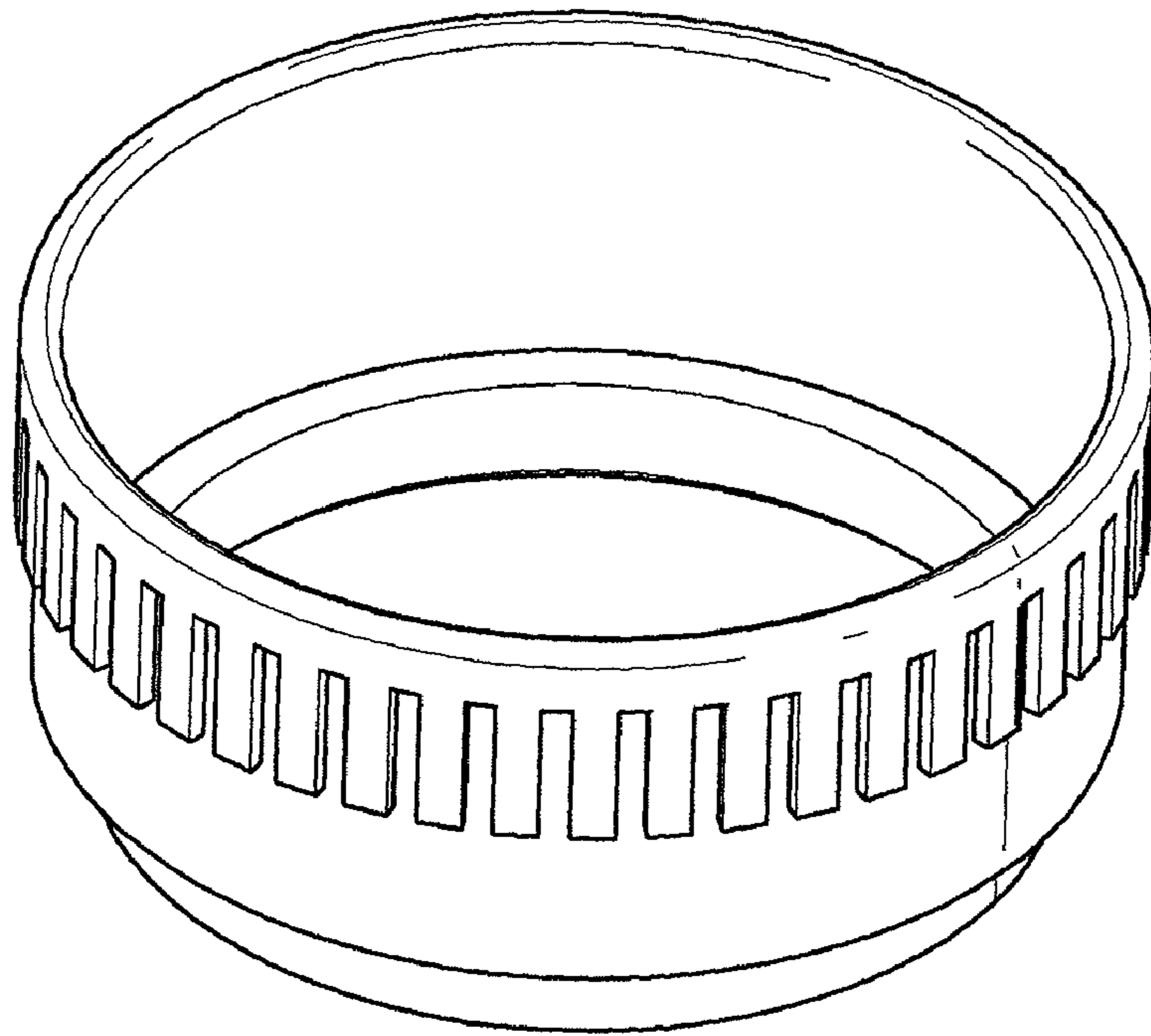


FIG. 1

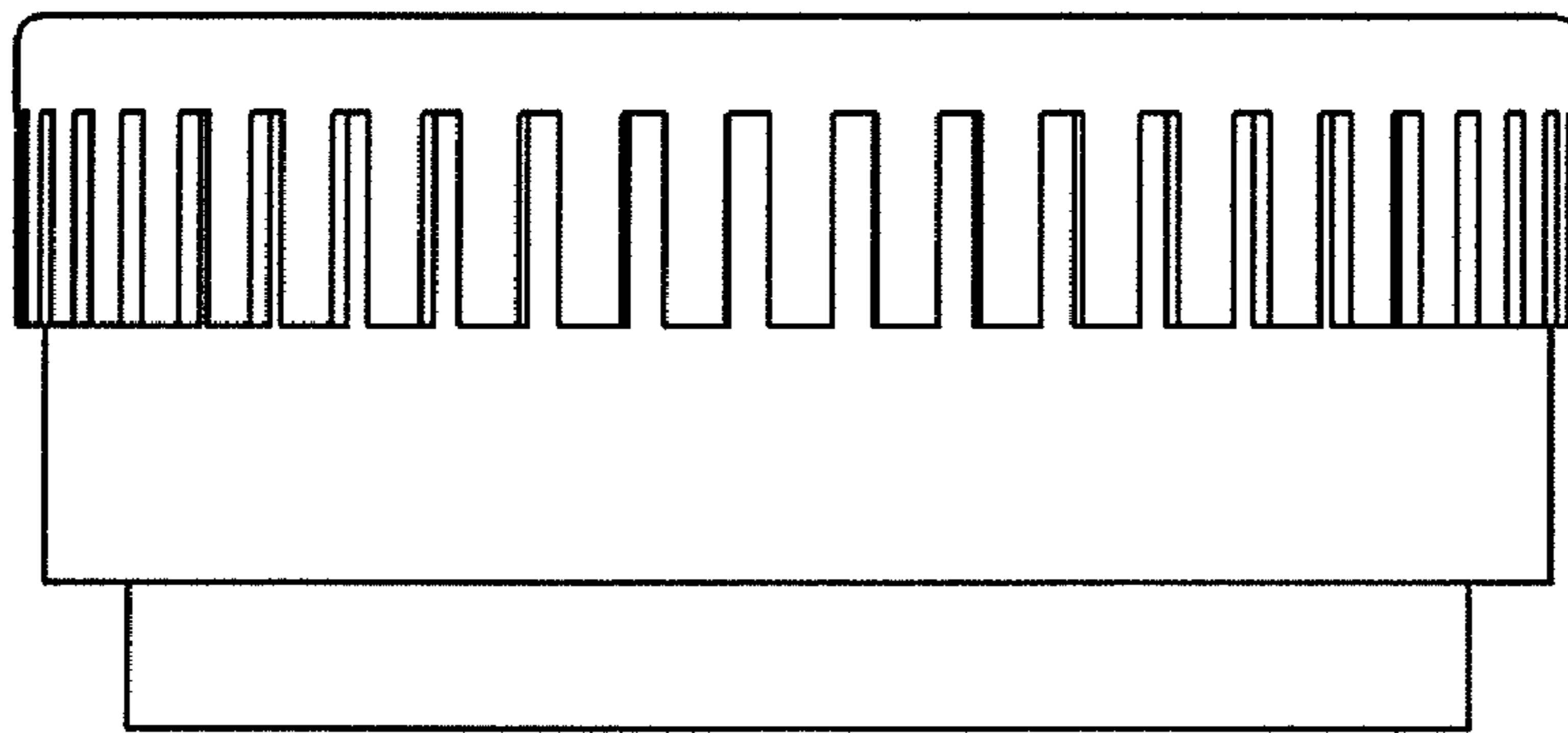


FIG. 2

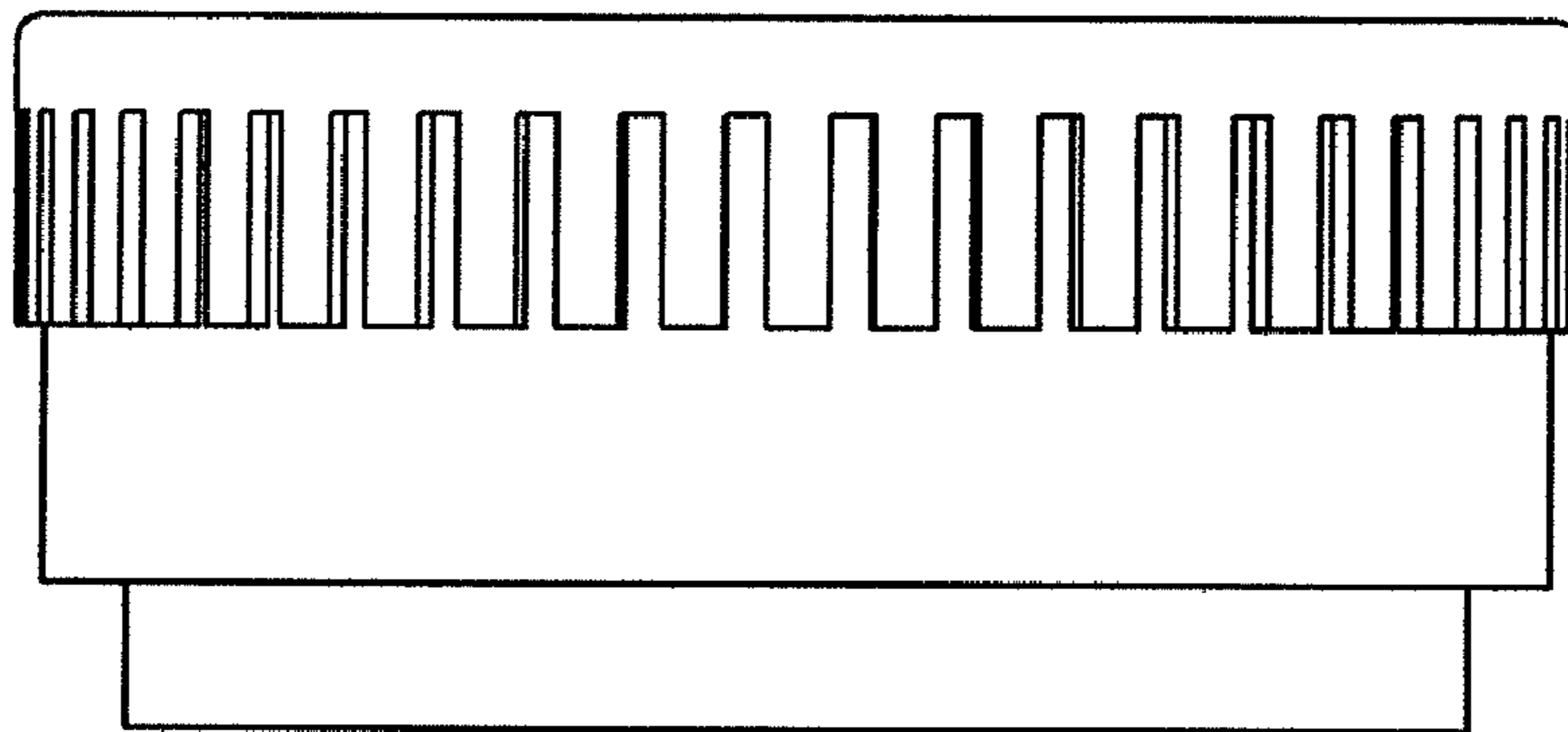


FIG. 3

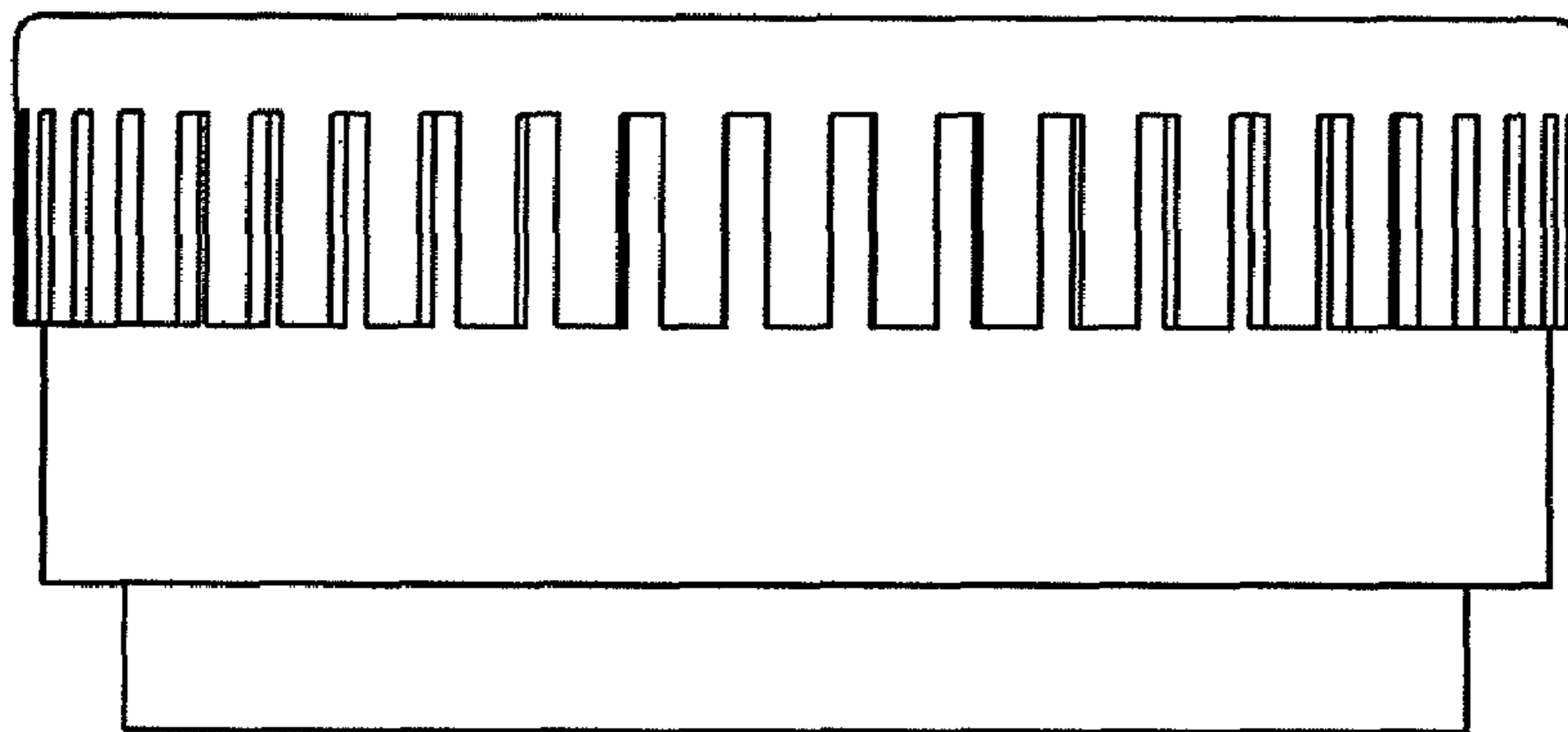


FIG. 4

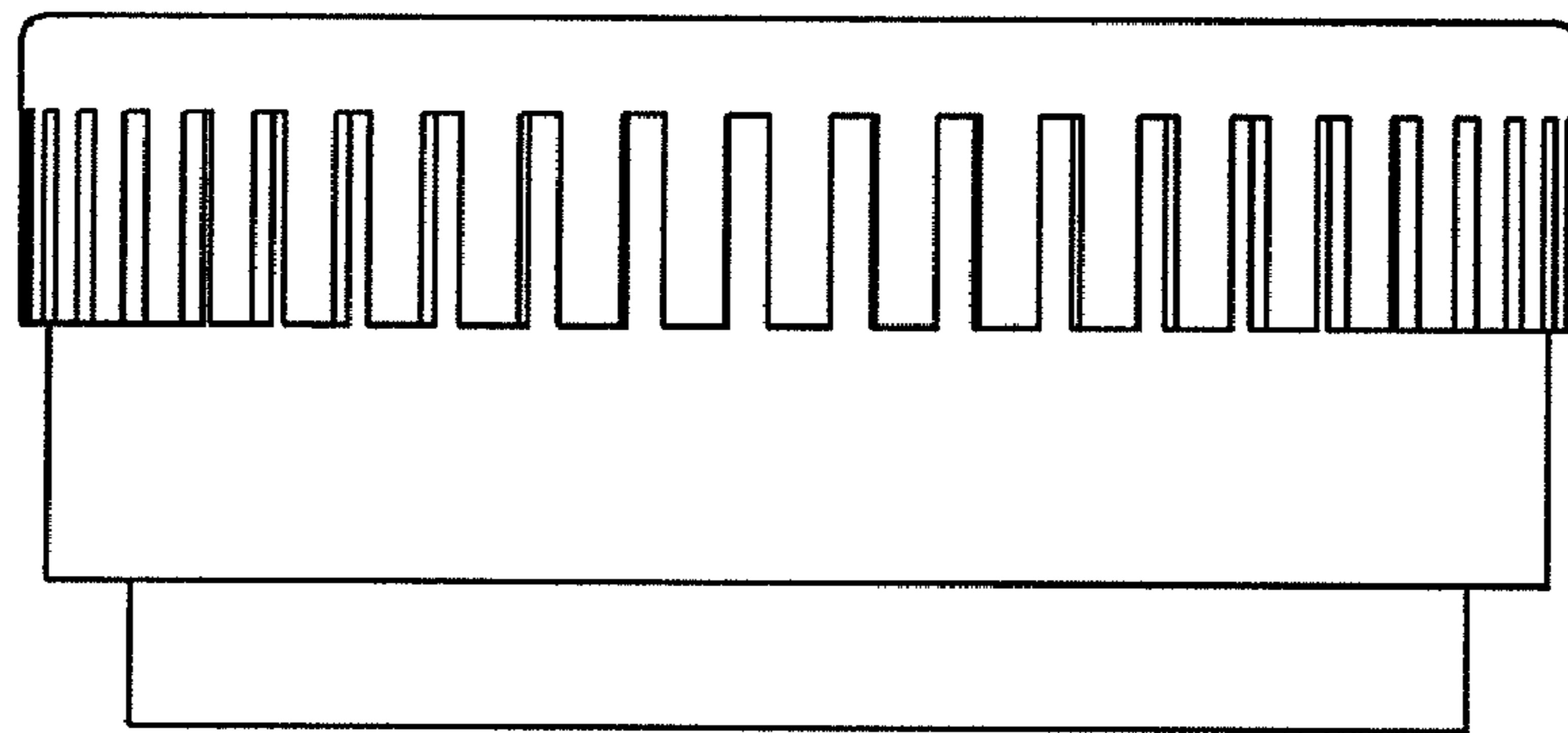


FIG. 5

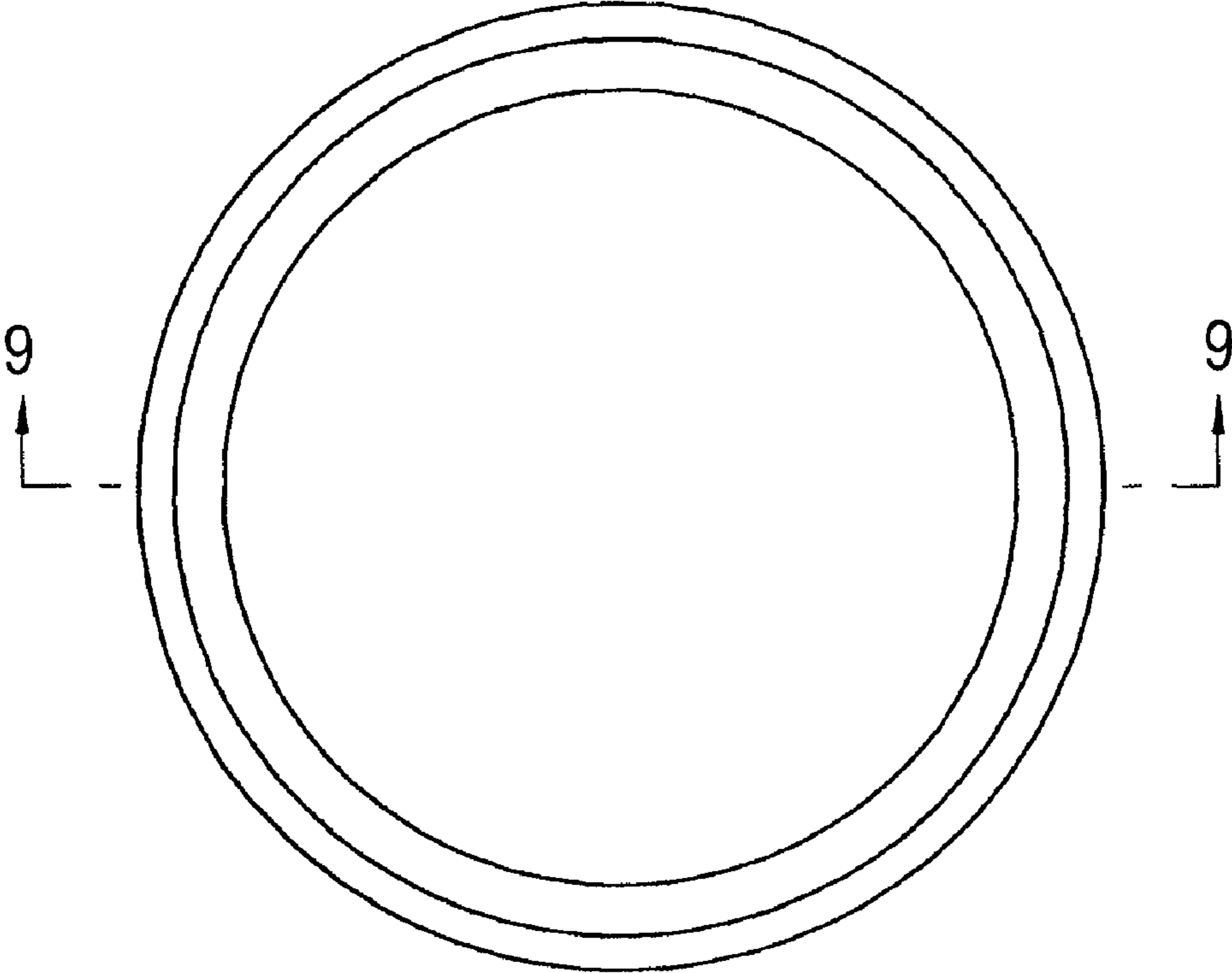


FIG. 6

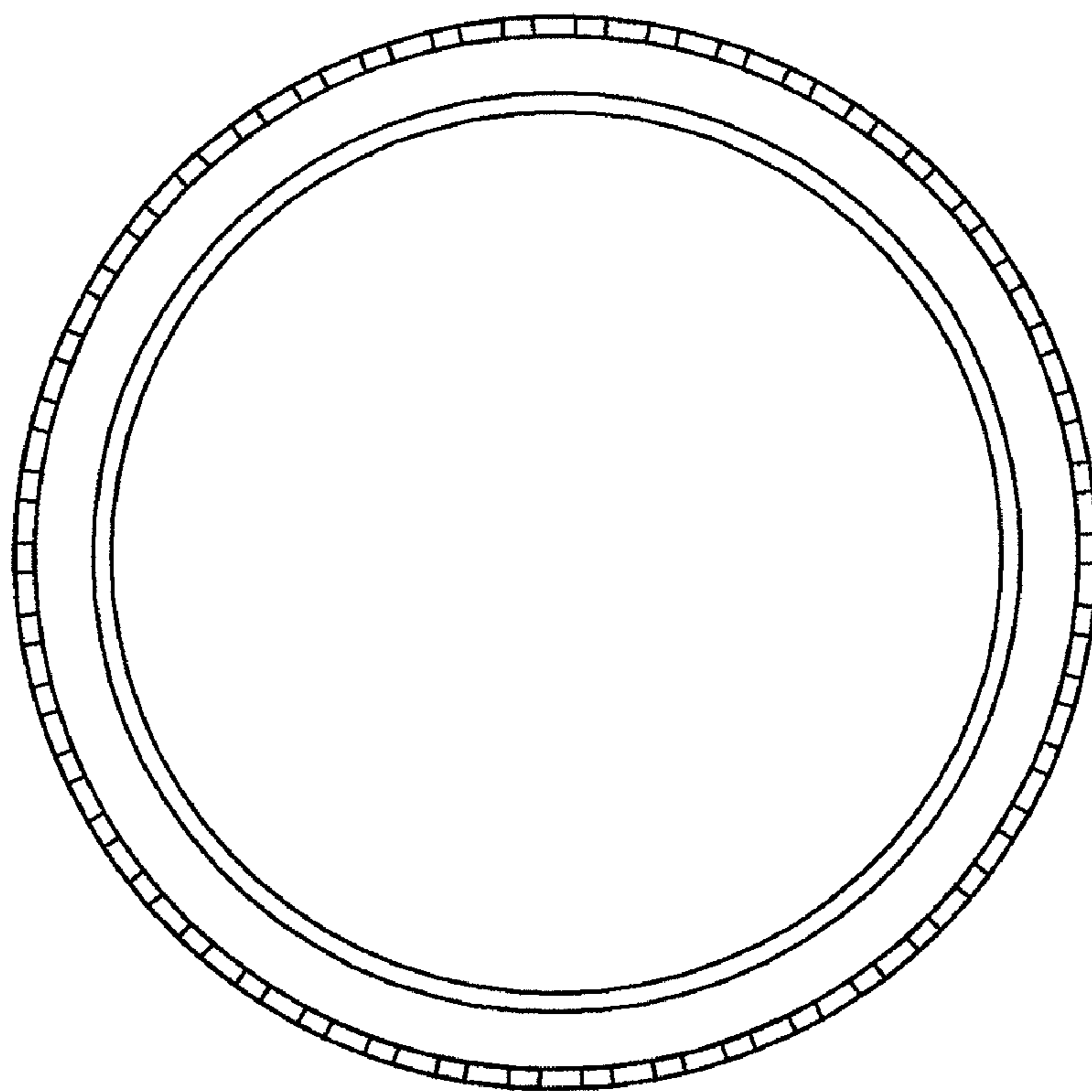


FIG. 7

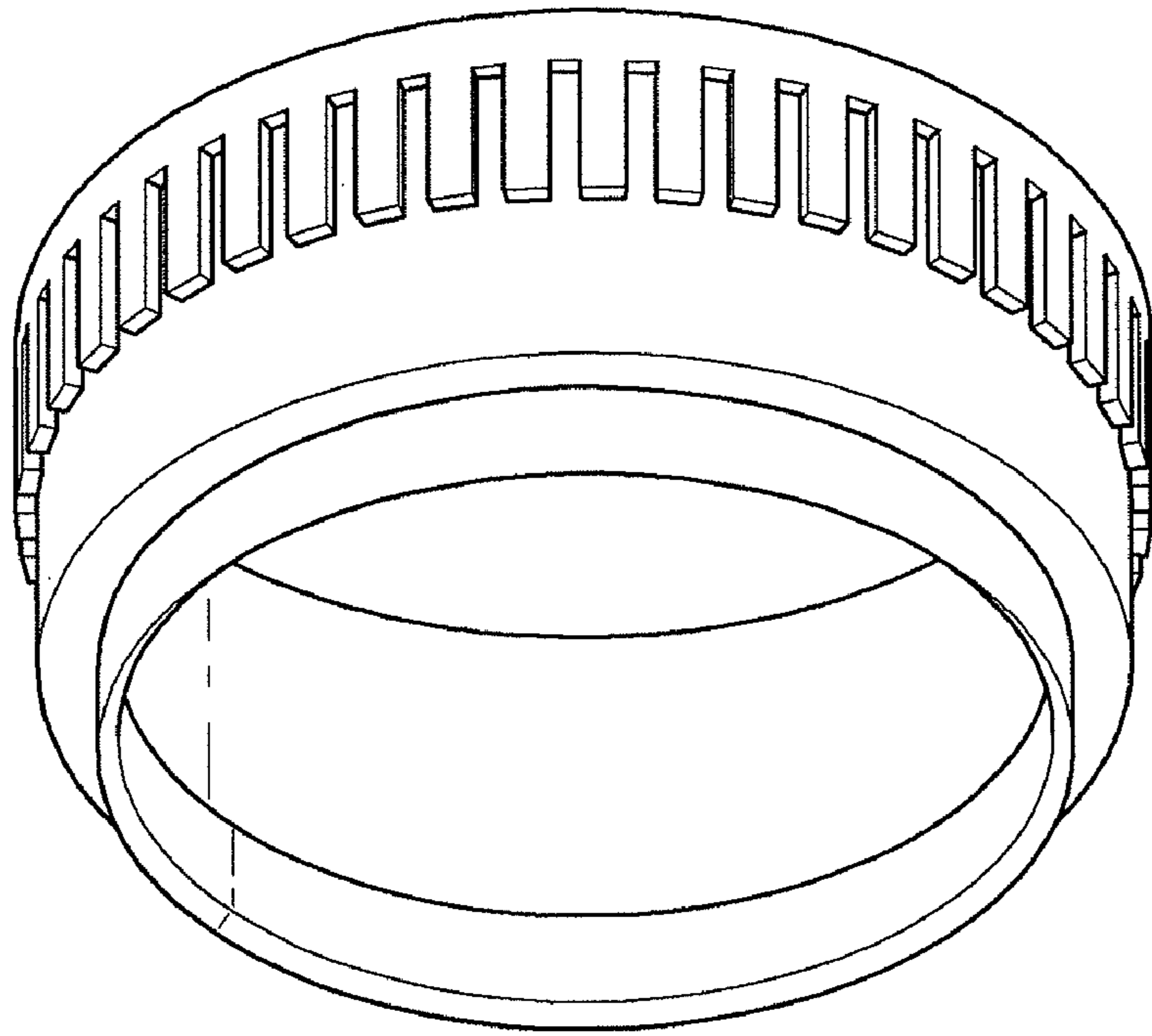


FIG. 8

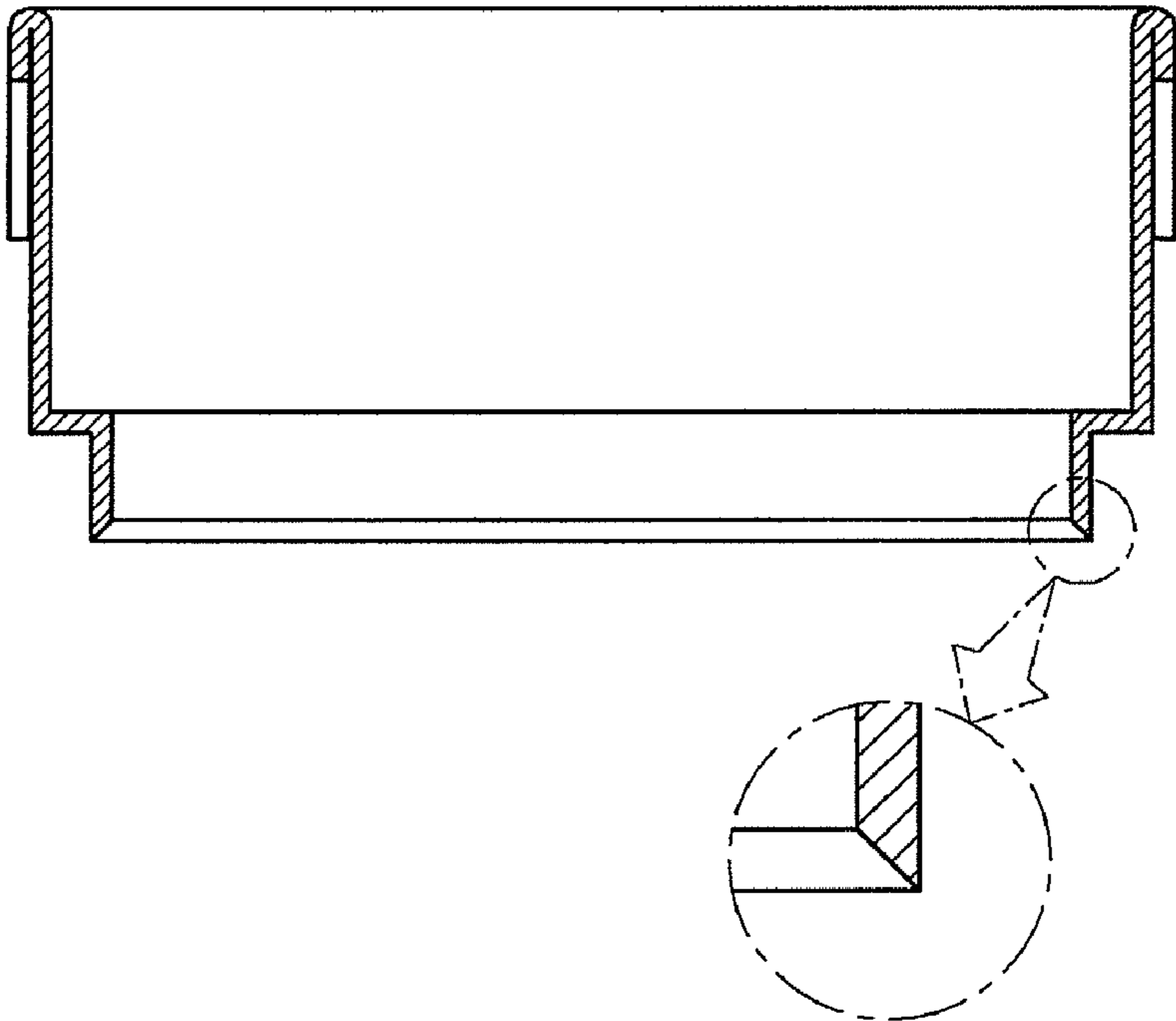


FIG. 9