



US00D651946S

(12) **United States Design Patent**  
**Funk**

(10) **Patent No.:** **US D651,946 S**  
(45) **Date of Patent:** **\*\* Jan. 10, 2012**

(54) **FOLDABLE WALKING AID**

FOREIGN PATENT DOCUMENTS

(76) Inventor: **Heinz Funk**, Bispingen (DE)

DE 202007010598.3 11/2007

\* cited by examiner

(\*\*) Term: **14 Years**

*Primary Examiner* — Ian Simmons

(21) Appl. No.: **29/384,686**

*Assistant Examiner* — Charles Hanson

(22) Filed: **Feb. 2, 2011**

(74) *Attorney, Agent, or Firm* — Smartpat PLC; Axel Nix

(51) **LOC (9) Cl.** ..... **12-12**

(52) **U.S. Cl.** ..... **D12/130**

(58) **Field of Classification Search** ..... D12/128–133;  
297/DIG. 4; 296/65.03, 64.04; 224/409;  
280/62, 647–650, 29, 200, 47.38, 250.1,  
280/259, 642, 658

See application file for complete search history.

(57) **CLAIM**

I claim the ornamental design for a foldable walking aid, as shown and described.

**DESCRIPTION**

(56) **References Cited**

U.S. PATENT DOCUMENTS

2,159,301	A *	5/1939	Upton	135/67
4,946,158	A *	8/1990	Olayan et al.	482/68
4,962,781	A *	10/1990	Kanbar	135/65
5,020,560	A *	6/1991	Turbeville	135/67
5,188,138	A *	2/1993	Yamasaki et al.	135/65
6,003,532	A *	12/1999	Pi	135/67
D497,845	S *	11/2004	Twigg	D12/130
D623,559	S *	9/2010	Yamamoto et al.	D12/130

FIG. 1 is a perspective view of a foldable walking aid showing my new design;

FIG. 2 is a front view thereof;

FIG. 3 is a rear view thereof;

FIG. 4 is a right side view thereof;

FIG. 5 is a left side view thereof;

FIG. 6 is a top view thereof; and,

FIG. 7 is a bottom view thereof.

**1 Claim, 7 Drawing Sheets**

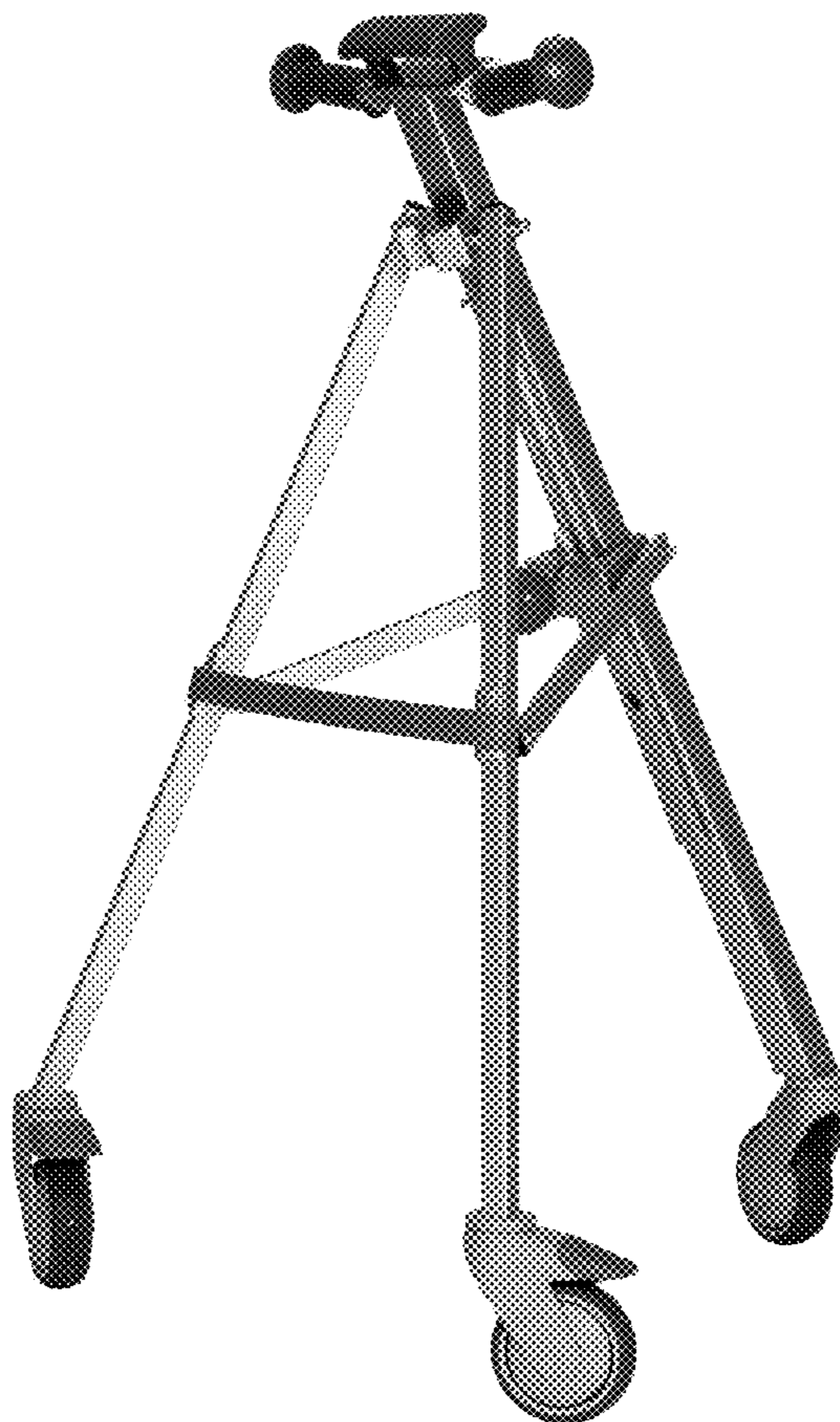




FIG. 1



FIG. 2



FIG. 3



FIG. 4



FIG. 5



FIG. 6



FIG. 7