



US00D651941S

(12) **United States Design Patent**  
**Gauthia**

(10) **Patent No.:** **US D651,941 S**

(45) **Date of Patent:** **\*\* Jan. 10, 2012**

(54) **HORSE CAR**

(76) Inventor: **Erick Paul Gauthia**, Beaumont, TX  
(US)

(\*\*) Term: **14 Years**

(21) Appl. No.: **29/328,102**

(22) Filed: **Nov. 19, 2008**

(51) **LOC (9) Cl.** ..... **12-01**

(52) **U.S. Cl.** ..... **D12/19**

(58) **Field of Classification Search** ..... D12/19,  
D12/129, 17, 18, 20; 280/1.5, 15, 204, 63  
See application file for complete search history.

(56) **References Cited**

**U.S. PATENT DOCUMENTS**

D73,277 S *	8/1927	Berger	.....	D11/159
D276,902 S *	12/1984	Plugge	.....	D12/19
D286,107 S *	10/1986	Mens	.....	D6/404
D288,703 S *	3/1987	Effler et al.	.....	D21/535
D297,720 S *	9/1988	Fragione, Jr.	.....	D12/19
D326,485 S *	5/1992	Rudell et al.	.....	D21/429
D407,347 S *	3/1999	Gallandat	.....	D12/19
D544,406 S *	6/2007	Lang	.....	D12/101

\* cited by examiner

*Primary Examiner* — T. Chase Nelson

*Assistant Examiner* — Ania Aman

(74) *Attorney, Agent, or Firm* — Delphine James

(57) **CLAIM**

The ornamental design for a horse car, as shown and described.

**DESCRIPTION**

FIG. 1 is a front perspective view of the horse car showing my new design;

FIG. 2 is a rear partial view thereof;

FIG. 3 is a front perspective, partial view thereof, in which the broken lines indicate where the partial view is cut off from the remainder of the entire view

FIG. 4 is a right side elevation view thereof

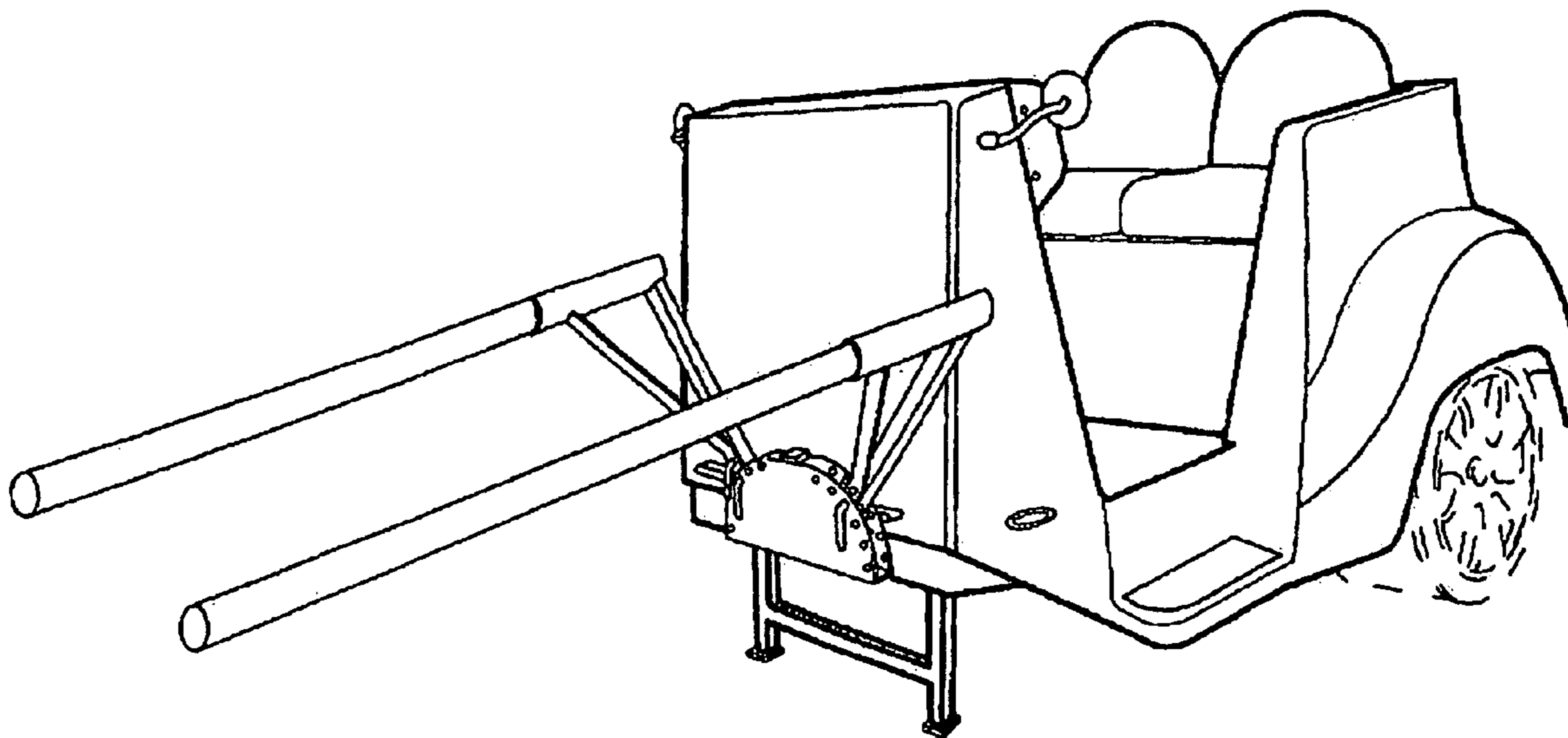
FIG. 5 is a top plan view thereof;

FIG. 6 is a front elevation view thereof; and,

FIG. 7 is a rear elevation view thereof.

In the drawings, the broken lines depict environmental subject matter only and form no part of the claimed design.

**1 Claim, 7 Drawing Sheets**



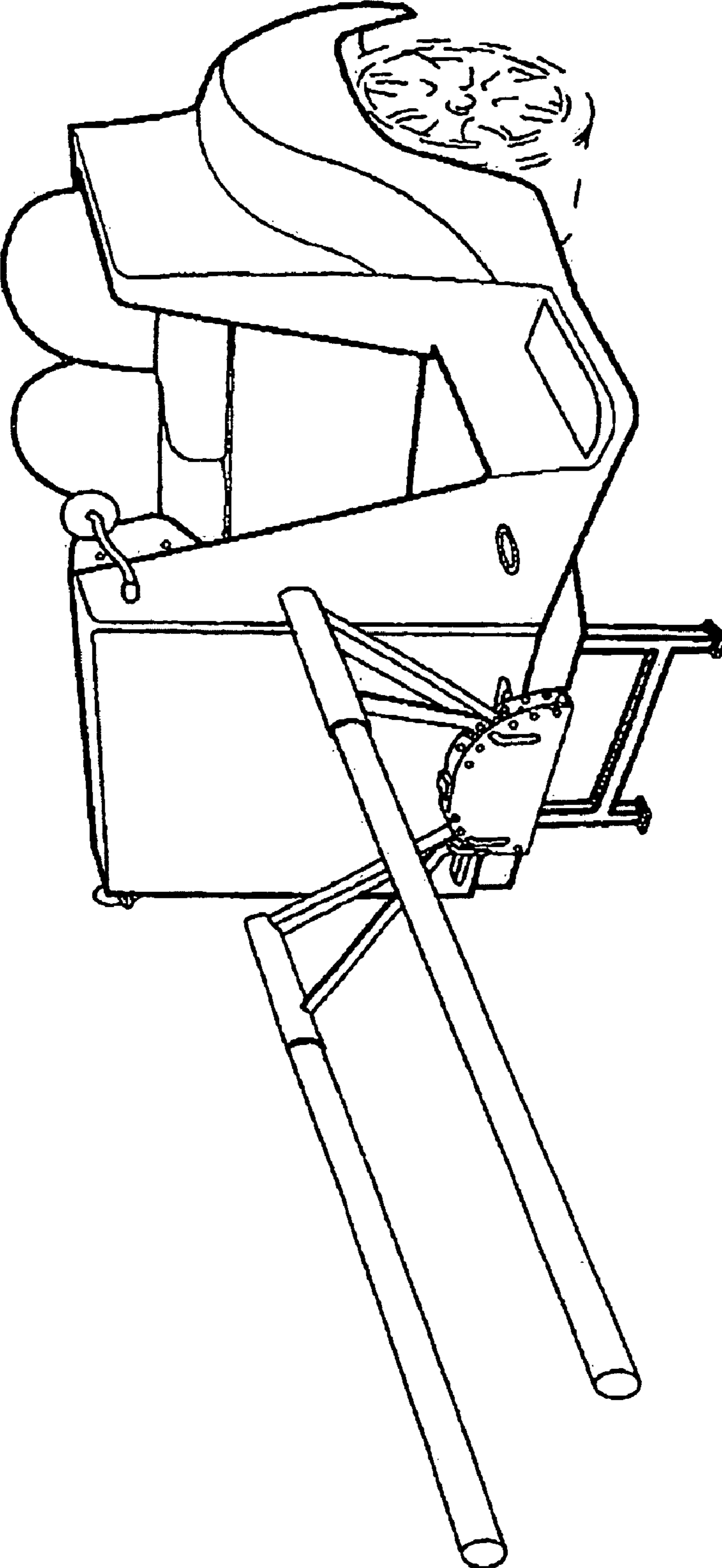


FIGURE 1

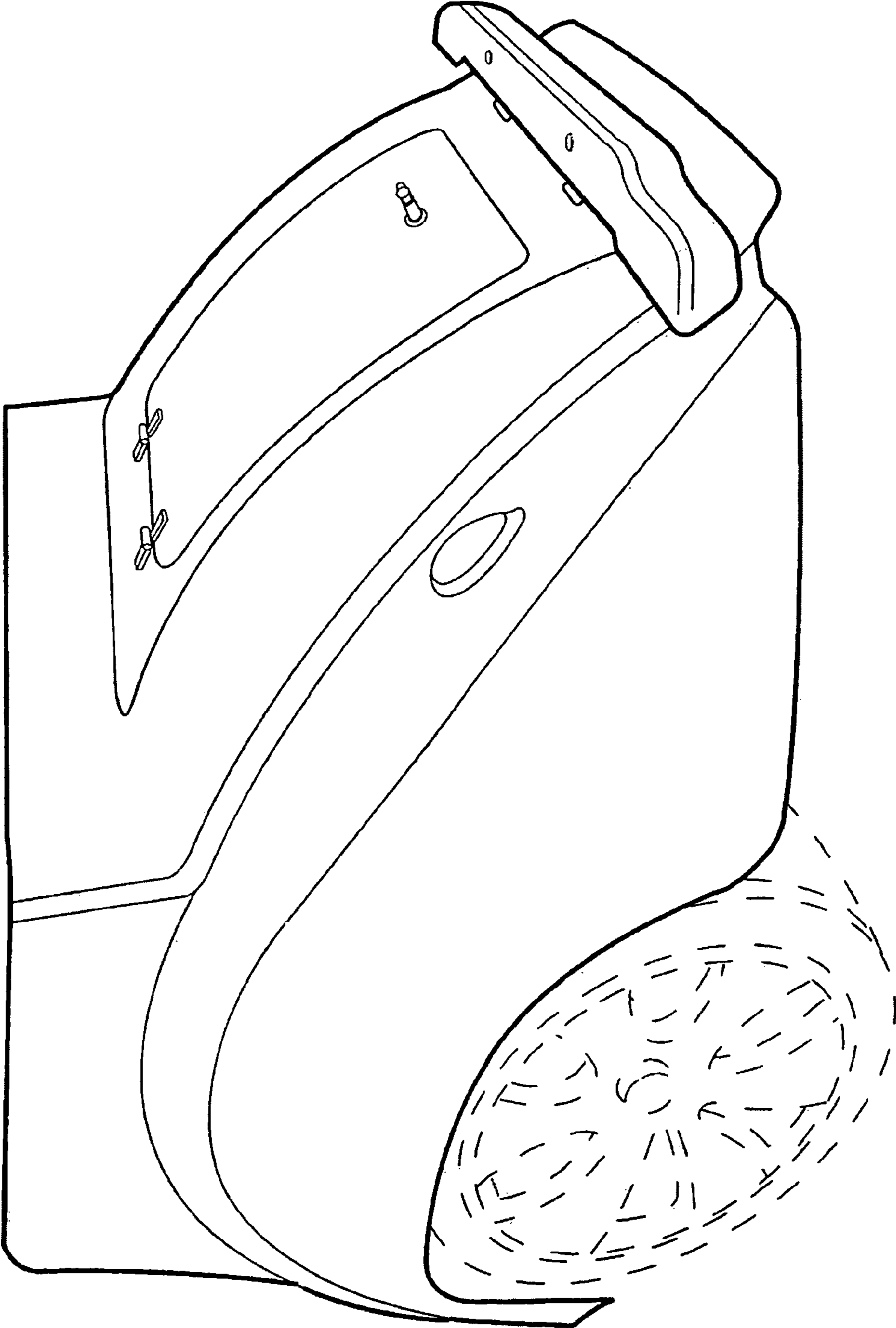
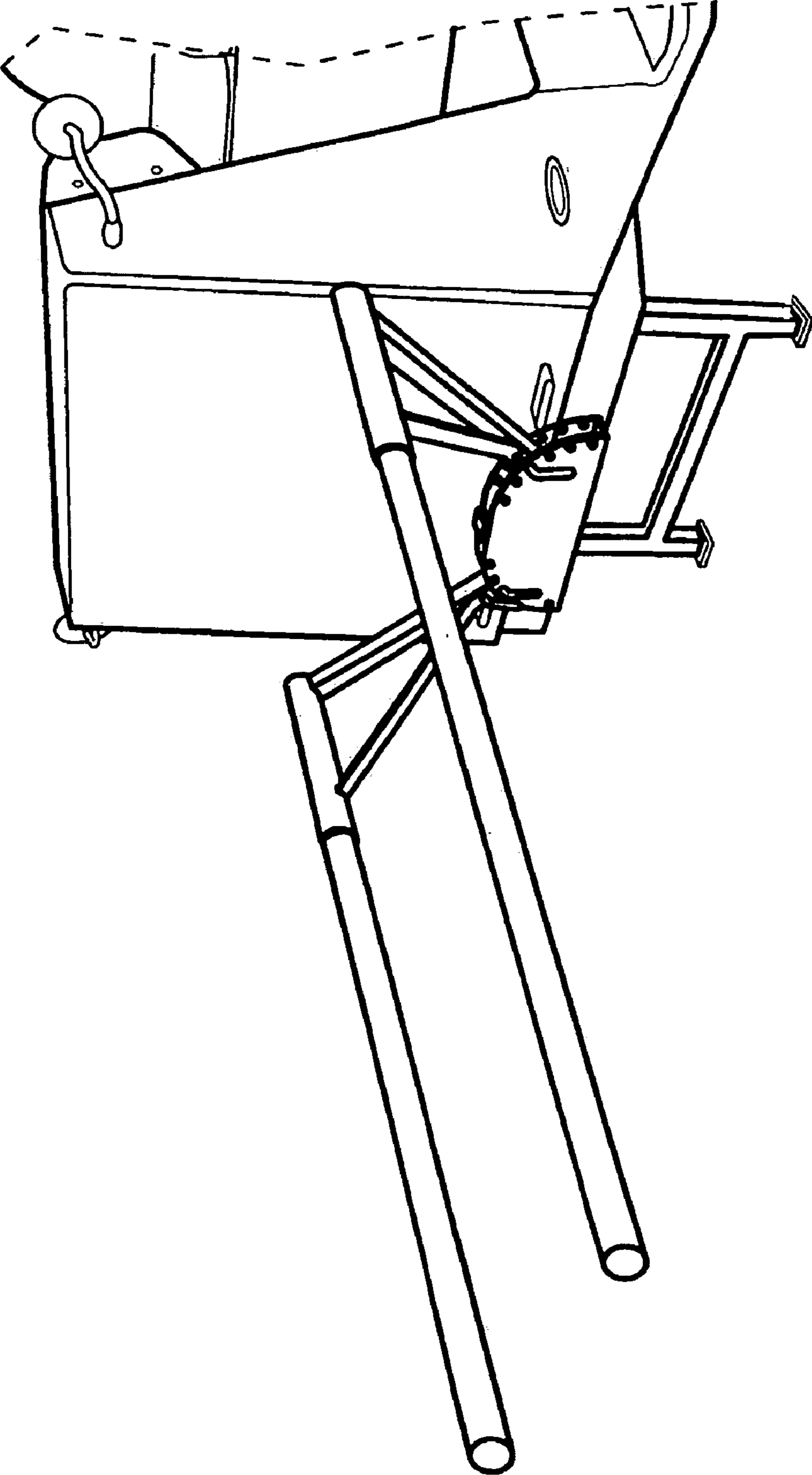


FIGURE 2



**FIGURE 3**

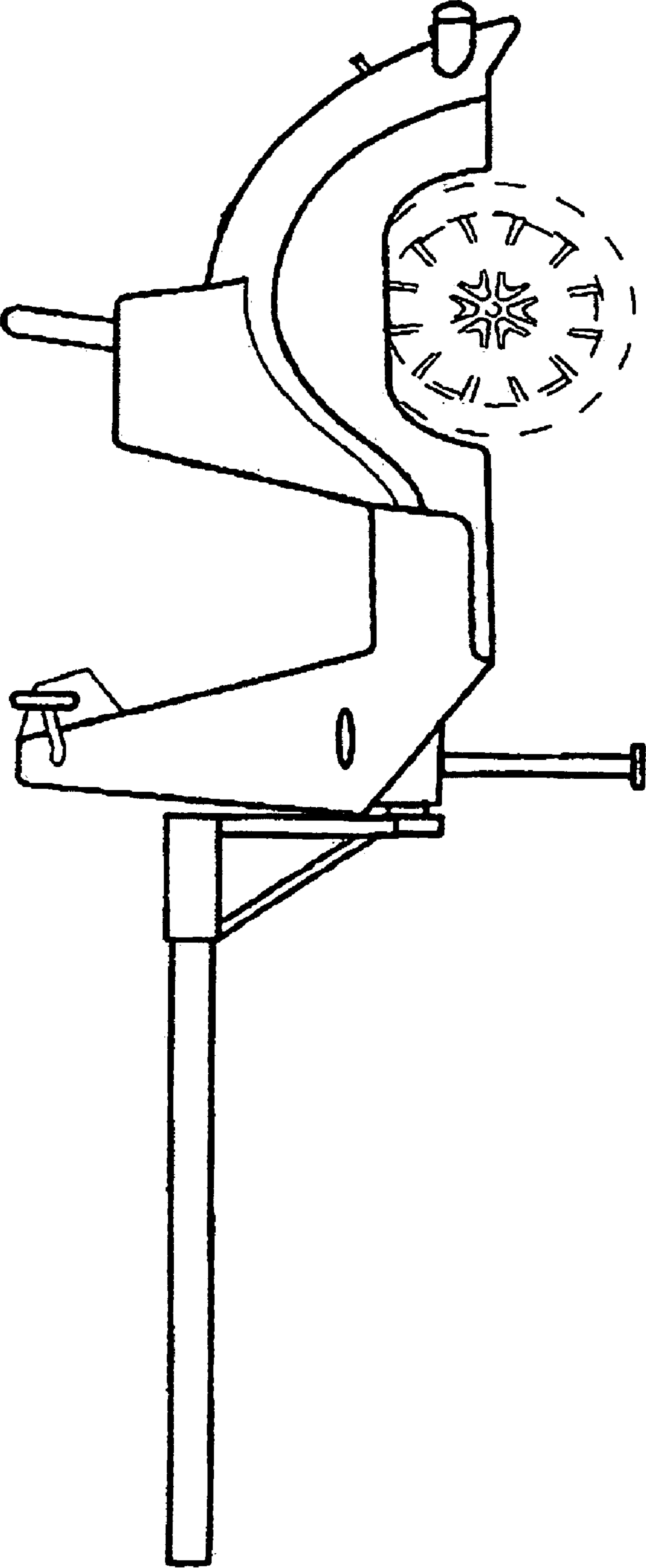


Figure 4

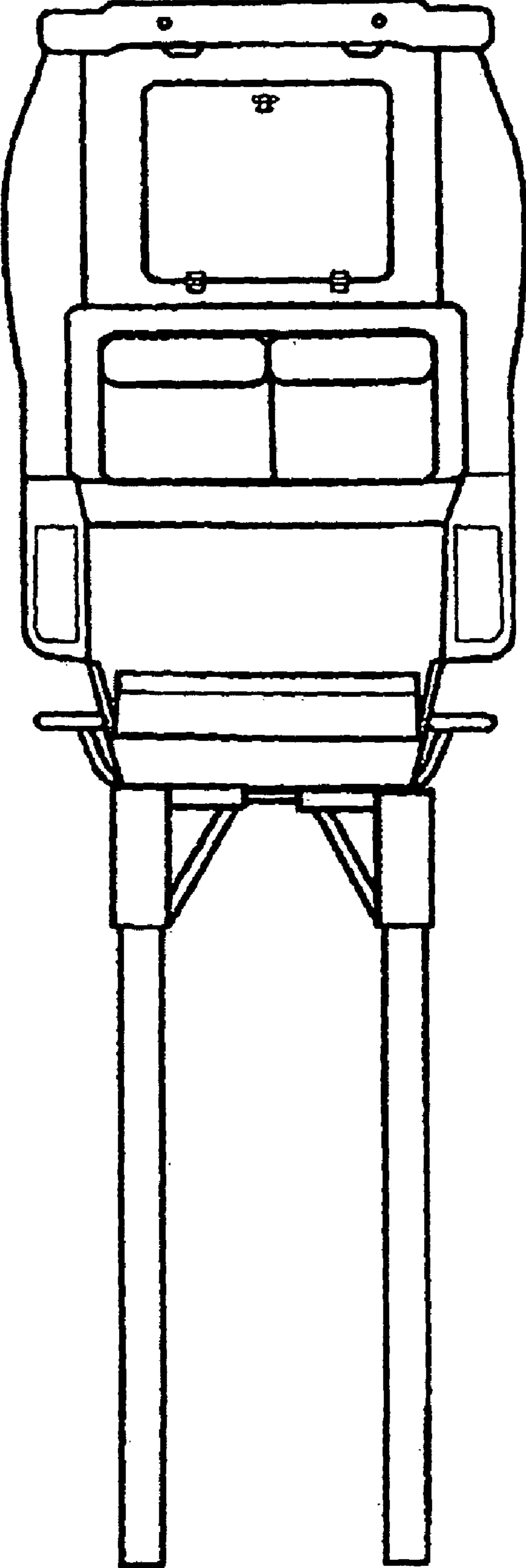


Figure 5

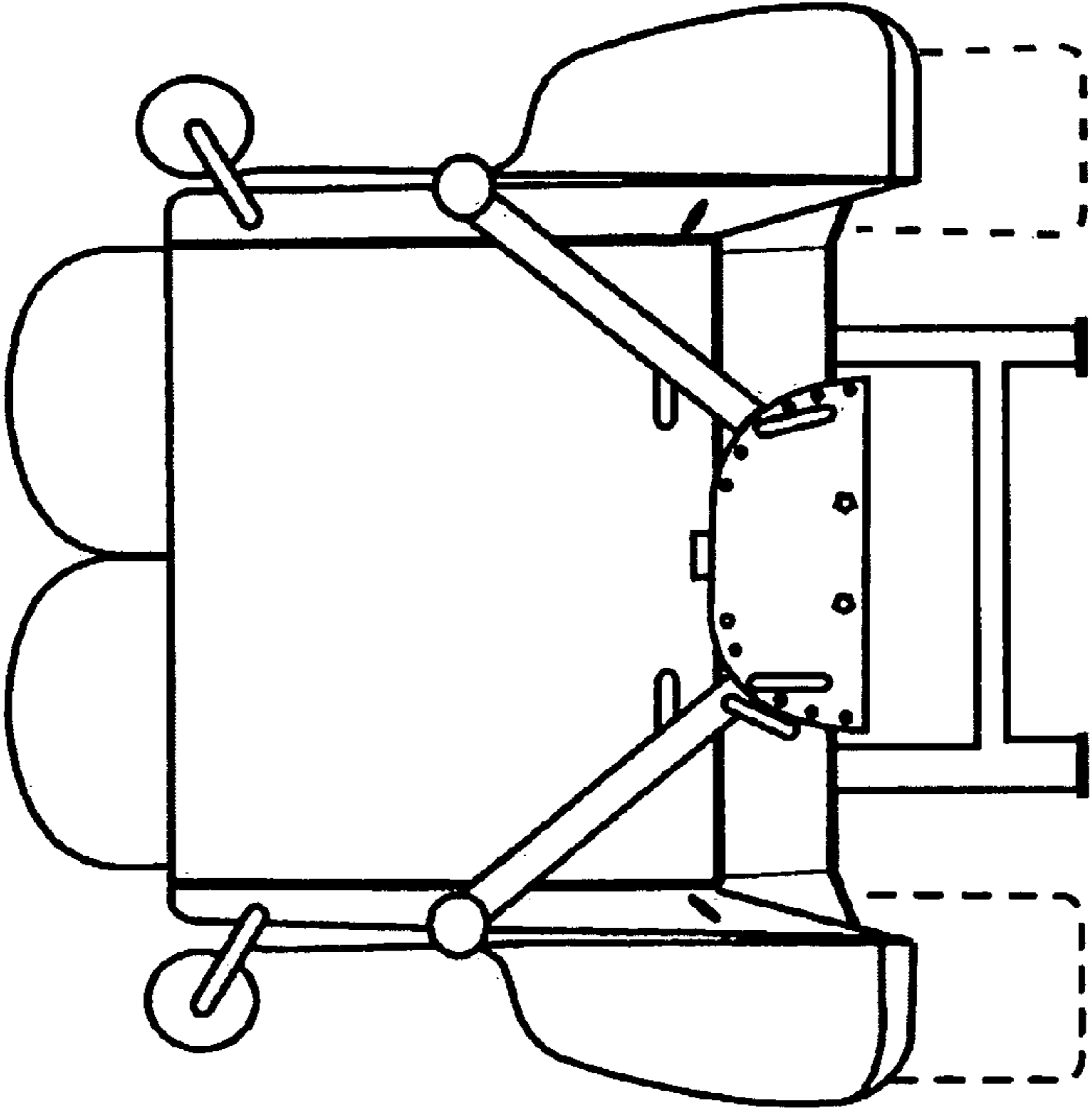


FIGURE 6



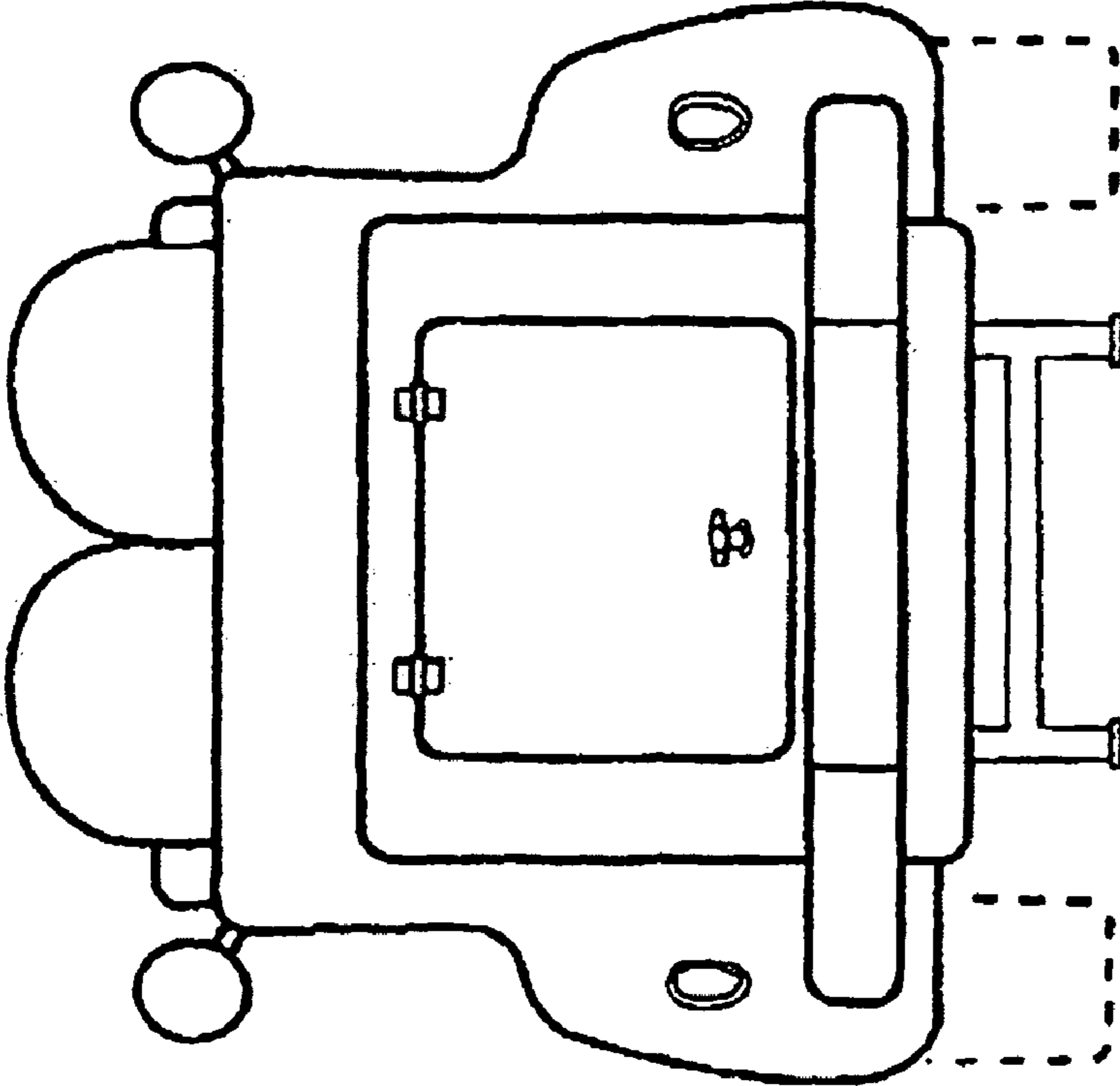


Figure 7