



US00D651939S

(12) **United States Design Patent**
Keyaki et al.

(10) **Patent No.:** **US D651,939 S**
(45) **Date of Patent:** **** Jan. 10, 2012**

(54) **SLIDER FOR SLIDE FASTENER**

D527,311 S * 8/2006 Yamagishi et al. D11/221
D555,538 S * 11/2007 Lin D11/221
D556,087 S * 11/2007 Lin D11/221

(75) Inventors: **Keiichi Keyaki**, Kurobe (JP); **Yuichi Iwase**, Kurobe (JP)

* cited by examiner

(73) Assignee: **YKK Corporation** (JP)

Primary Examiner — Ralf Seifert

(**) Term: **14 Years**

(74) *Attorney, Agent, or Firm* — Kilpatrick Townsend & Stockton LLP

(21) Appl. No.: **29/356,518**

(57) **CLAIM**

(22) Filed: **Feb. 26, 2010**

The ornamental design for a slider for slide fastener, as shown and described.

(30) **Foreign Application Priority Data**

DESCRIPTION

Aug. 27, 2009 (JP) 2009-019669

(51) **LOC (9) Cl.** **02-07**

(52) **U.S. Cl.** **D11/221**

(58) **Field of Classification Search** D11/200,
D11/201, 221; 24/381–383, 385–387, 414–417,
24/421–422, 427–431, 433; 2/265
See application file for complete search history.

FIG. 1 is a perspective view of the top, front and right of slider for slide fastener showing our new design;
FIG. 2 is a front view thereof;
FIG. 3 is a rear view thereof;
FIG. 4 is a top plan view thereof;
FIG. 5 is a bottom view thereof;
FIG. 6 is a right side view thereof, the left side view being mirror image thereof; and,
FIG. 7 is a reference view showing usage situation thereof.
The portions of the article in broken lines are shown for illustrative purposes only and form no part of the claimed design.

(56) **References Cited**

U.S. PATENT DOCUMENTS

D397,959 S * 9/1998 Terasaki et al. D11/221
D498,176 S * 11/2004 Ichikawa et al. D11/221
D512,340 S * 12/2005 Keyaki et al. D11/221

1 Claim, 6 Drawing Sheets

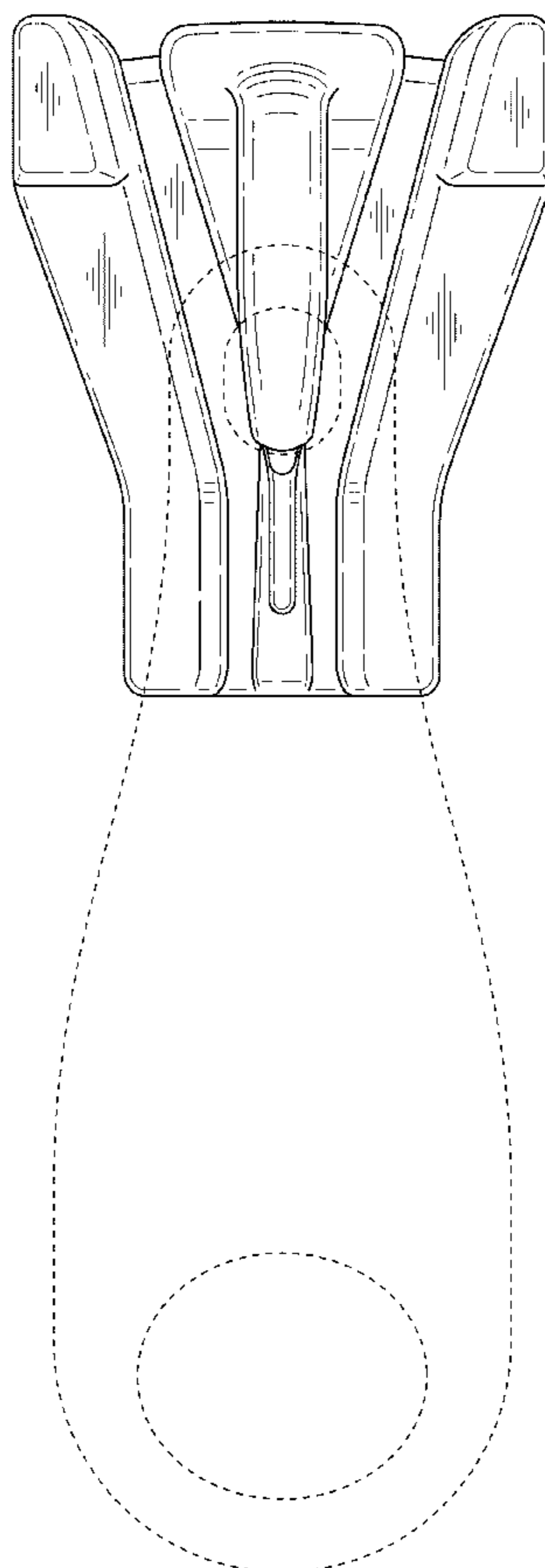




FIG. 1

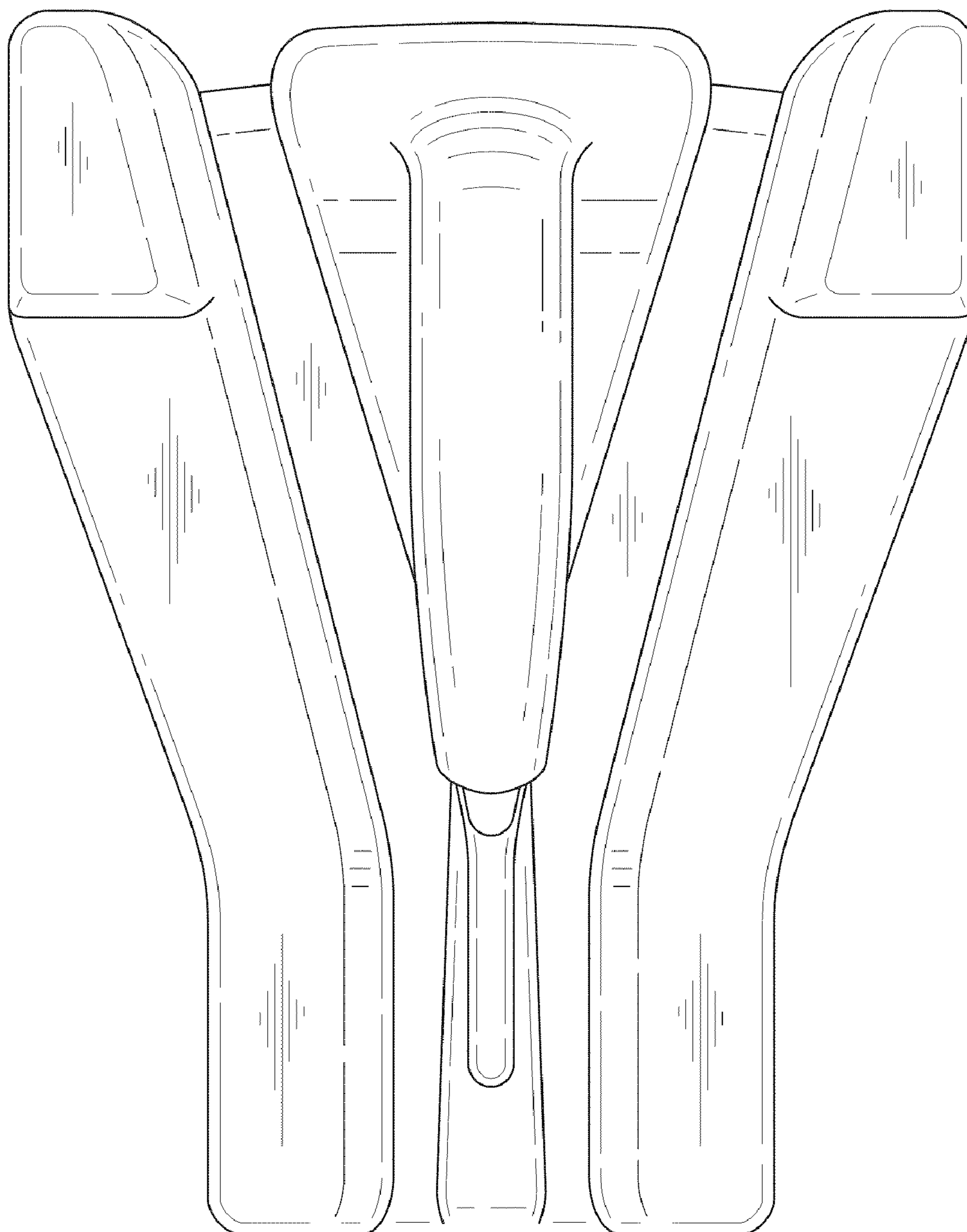


FIG. 2

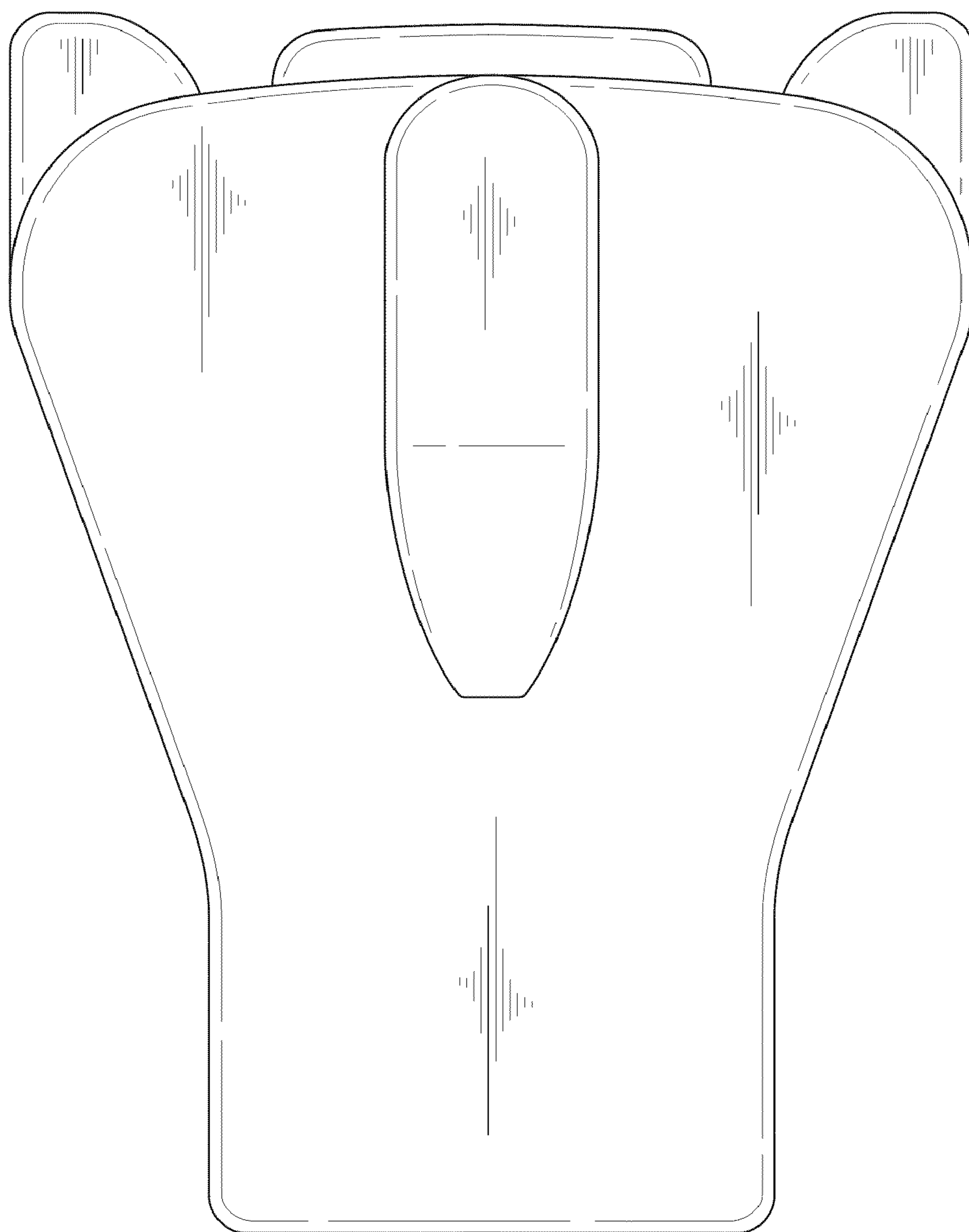


FIG. 3

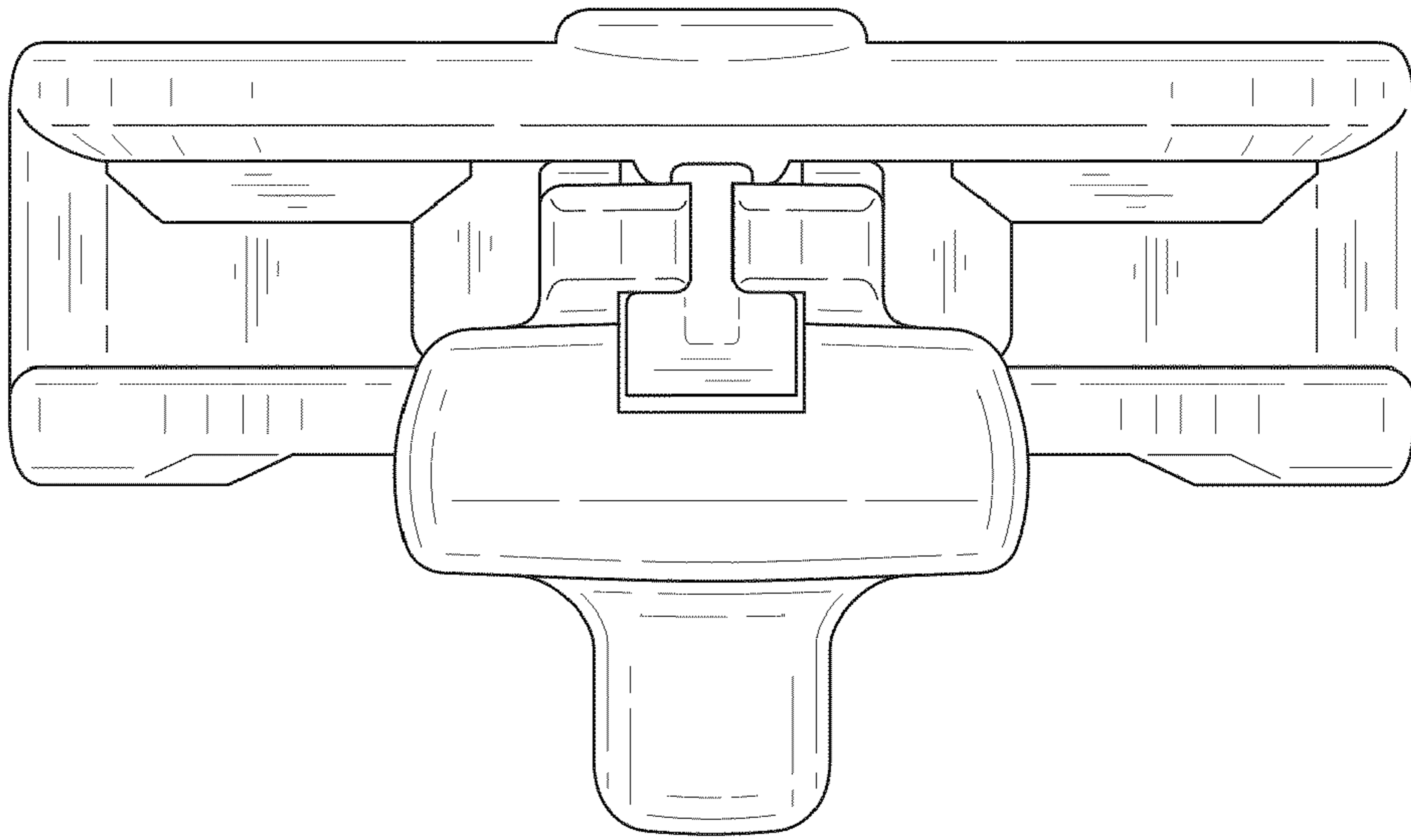


FIG. 4

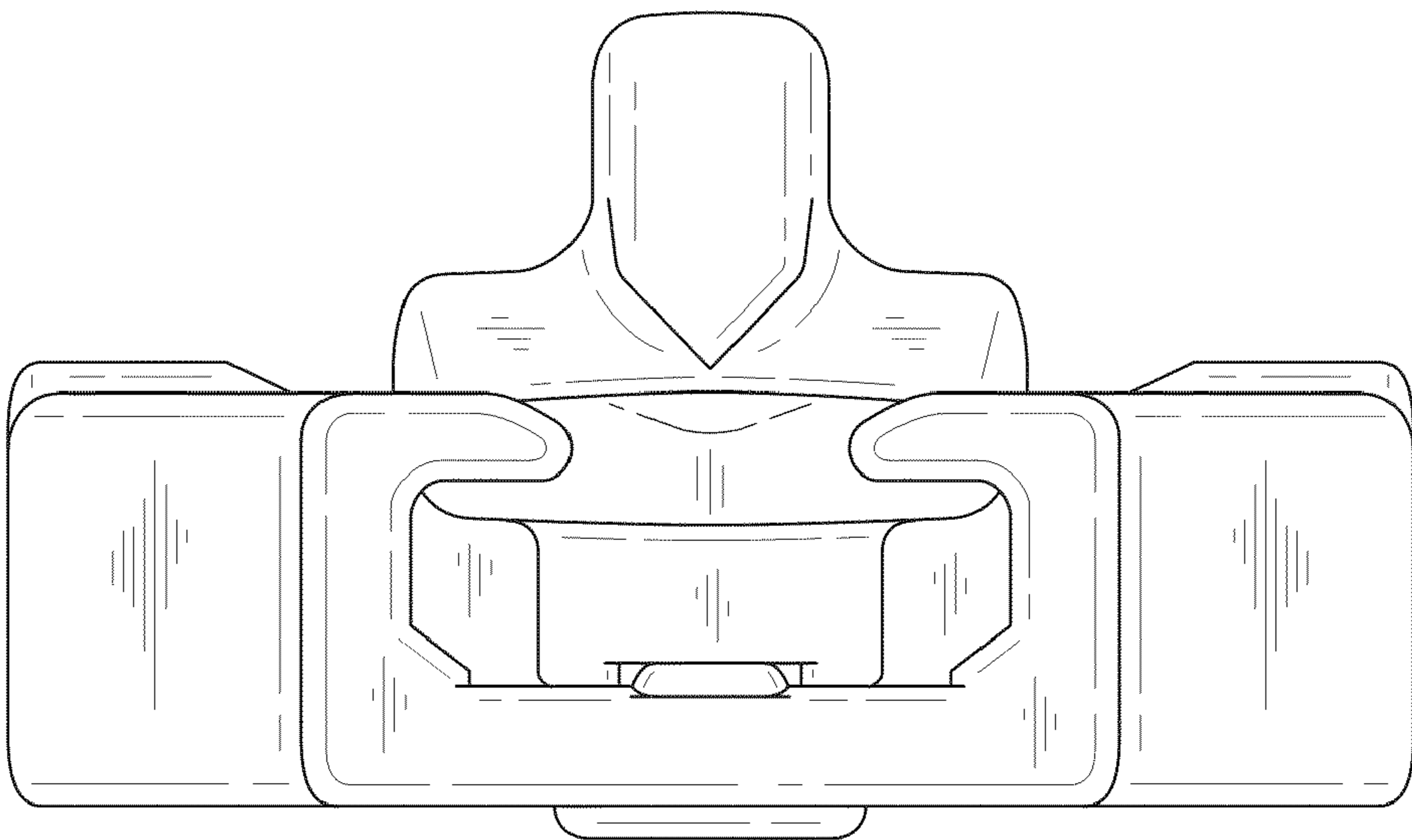


FIG. 5

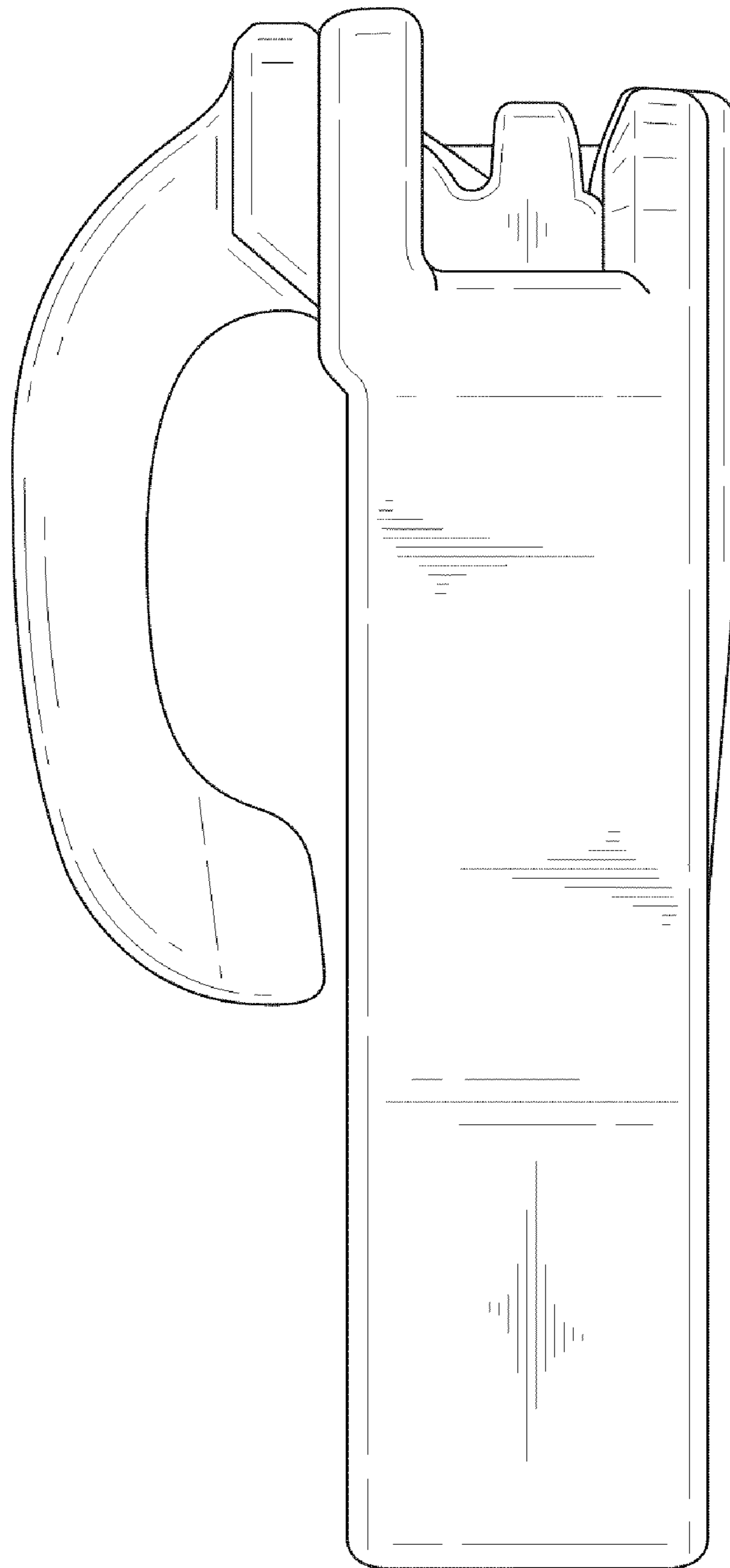


FIG. 6

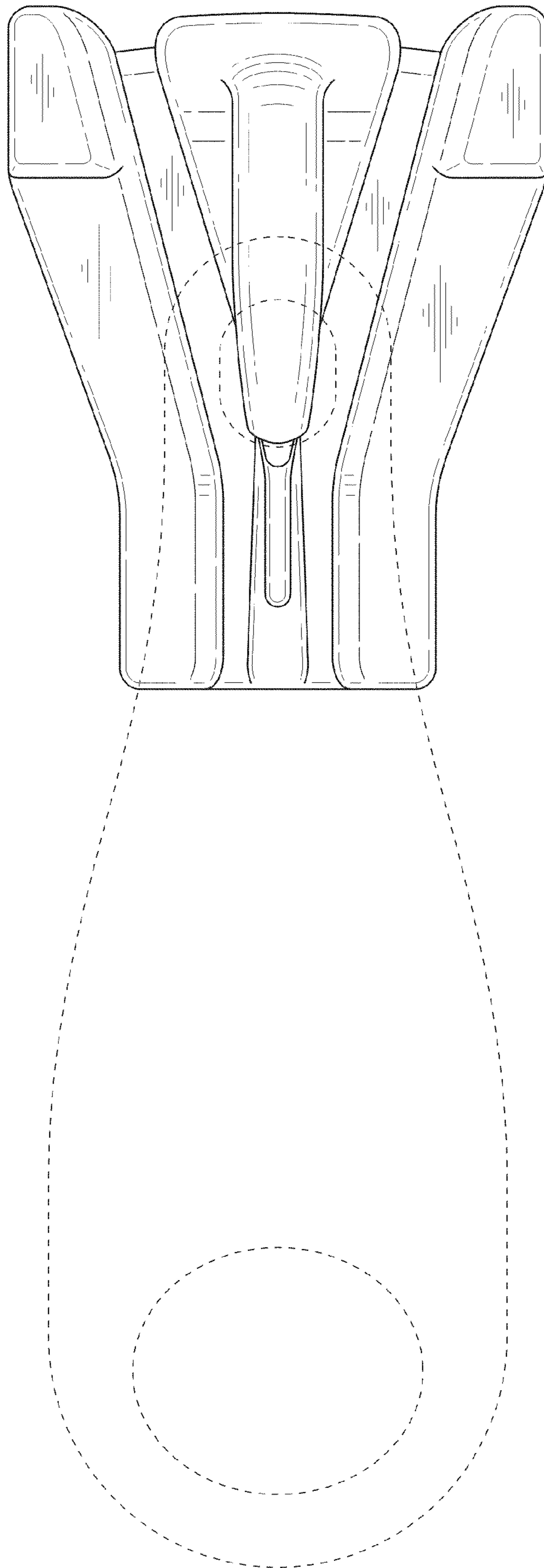


FIG. 7