



US00D651936S

(12) **United States Design Patent**  
**Humphries**

(10) **Patent No.:** **US D651,936 S**

(45) **Date of Patent:** **\*\* Jan. 10, 2012**

(54) **ANGLED JEWELRY CLASP**

(76) Inventor: **John Edward Faget Humphries**, New Orleans, LA (US)

(\*\*) Term: **14 Years**

(21) Appl. No.: **29/397,927**

(22) Filed: **Jul. 22, 2011**

(51) **LOC (9) Cl.** ..... **11-01**

(52) **U.S. Cl.** ..... **D11/87**

(58) **Field of Classification Search** ..... D11/200–231,  
D11/87, 88, 3, 86; 63/12, 18, 20, 3, 3.1,  
63/3.2; 24/196, 616, 625, 650, 114.6, 303,  
24/658, 41.1; D8/382

See application file for complete search history.

(56) **References Cited**

U.S. PATENT DOCUMENTS

D87,434	S	*	7/1932	Haas	.....	D11/200
D165,080	S	*	11/1951	Lennenberg	.....	D11/87
2,615,227	A		10/1952	Hornik		
2,648,884	A		8/1953	Loofboro		
D170,403	S	*	9/1953	De Saint Germain	.....	D11/6
2,956,324	A		10/1960	Klein		
3,621,690	A		11/1971	Whitcomb		
3,974,545	A	*	8/1976	Lossini	.....	24/116 R
D264,828	S	*	6/1982	Gray	.....	D11/87
D307,730	S	*	5/1990	Foster	.....	D11/200
D325,546	S		4/1992	Collier		
5,664,298	A		9/1997	Nessar-Ivanovic		
5,701,640	A	*	12/1997	Locher	.....	24/303
6,591,462	B2	*	7/2003	Fuhrman	.....	24/303
6,598,271	B2		7/2003	Nire		
6,640,398	B2	*	11/2003	Hoffman	.....	24/303
D500,459	S	*	1/2005	Philippeau	.....	D11/200
D514,474	S	*	2/2006	Neri	.....	D11/200
7,152,282	B2		12/2006	Costa		
7,334,433	B1		2/2008	Fuhrman et al.		
D622,128	S	*	8/2010	Laurenza	.....	D11/87
D625,643	S	*	10/2010	Desser	.....	D11/87
D629,712	S	*	12/2010	Humphries	.....	D11/87

(Continued)

*Primary Examiner* — Cathron Brooks

*Assistant Examiner* — Melanie Pellegrini

(74) *Attorney, Agent, or Firm* — Amster, Rothstein & Ebenstein LLP

(57) **CLAIM**

The ornamental design for an angled jewelry clasp, as shown and described.

**DESCRIPTION**

FIG. 1 is a top, front perspective view of the angled jewelry clasp, in an open position, with a portion of unclaimed environmental structure shown;

FIG. 2 is a top, front perspective view of the angled jewelry clasp, in a closed position, with a portion of unclaimed environmental structure shown;

FIG. 3 is a side view of the angled jewelry clasp, in a closed position;

FIG. 4 is an opposite side view of the angled jewelry clasp, in a closed position;

FIG. 5 is a front view of the angled jewelry clasp, in a closed position;

FIG. 6 is a rear view of the angled jewelry clasp, in a closed position;

FIG. 7 is top view of the angled jewelry clasp, in a closed position, with a portion of unclaimed environmental structure shown;

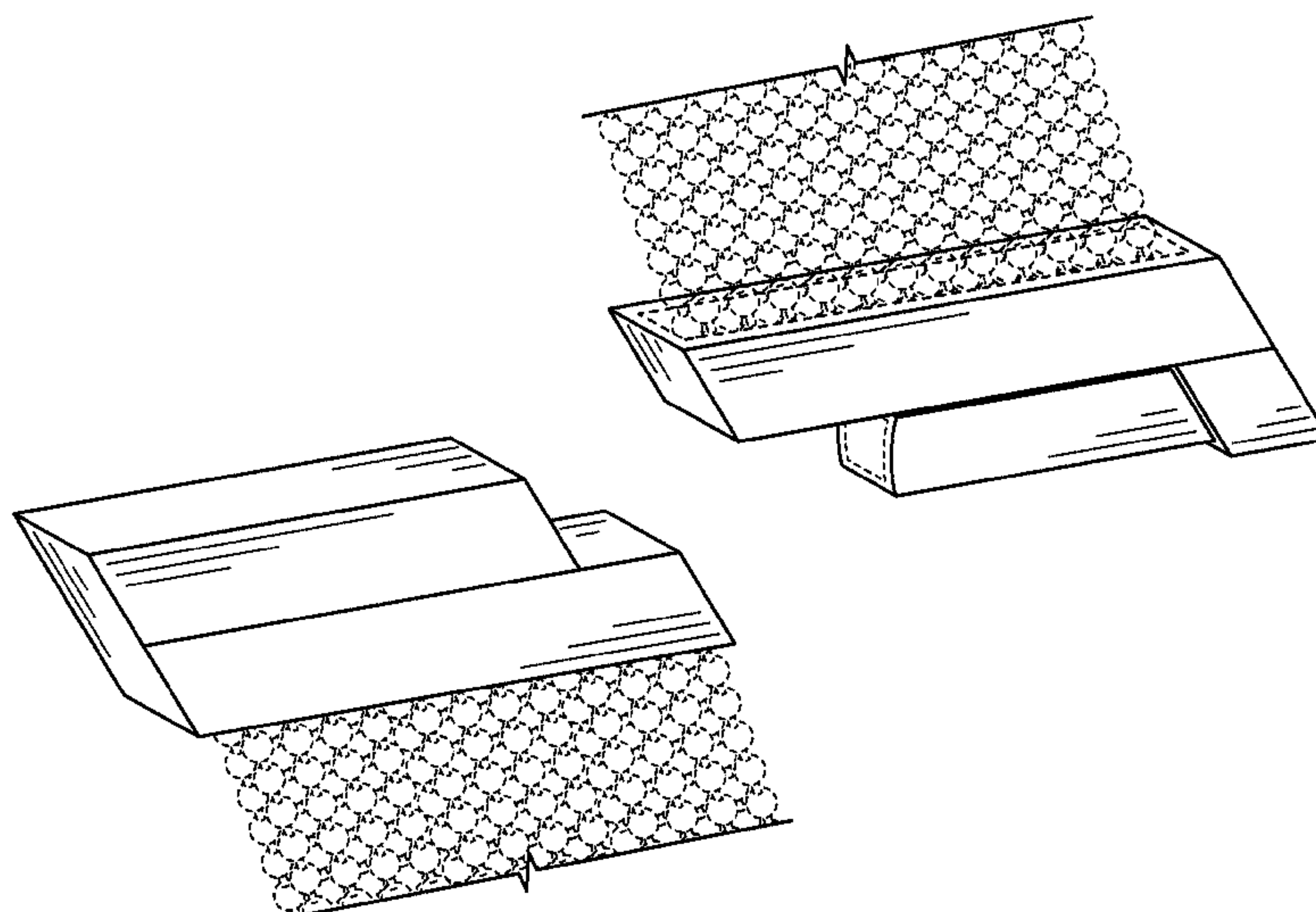
FIG. 8 is a bottom view of the angled jewelry clasp, in a closed position, with a portion of unclaimed environmental structure shown;

FIG. 9 is a bottom, front perspective view of the angled jewelry clasp, in an open position, with a portion of unclaimed environmental structure shown; and,

FIG. 10 is a side view of the angled jewelry clasp, in an open position, with a portion of unclaimed environmental structure shown.

The broken lines shown in the drawings represent environmental structure and/or unclaimed portions of the angled jewelry clasp, and form no part of the claimed design.

**1 Claim, 5 Drawing Sheets**



# US D651,936 S

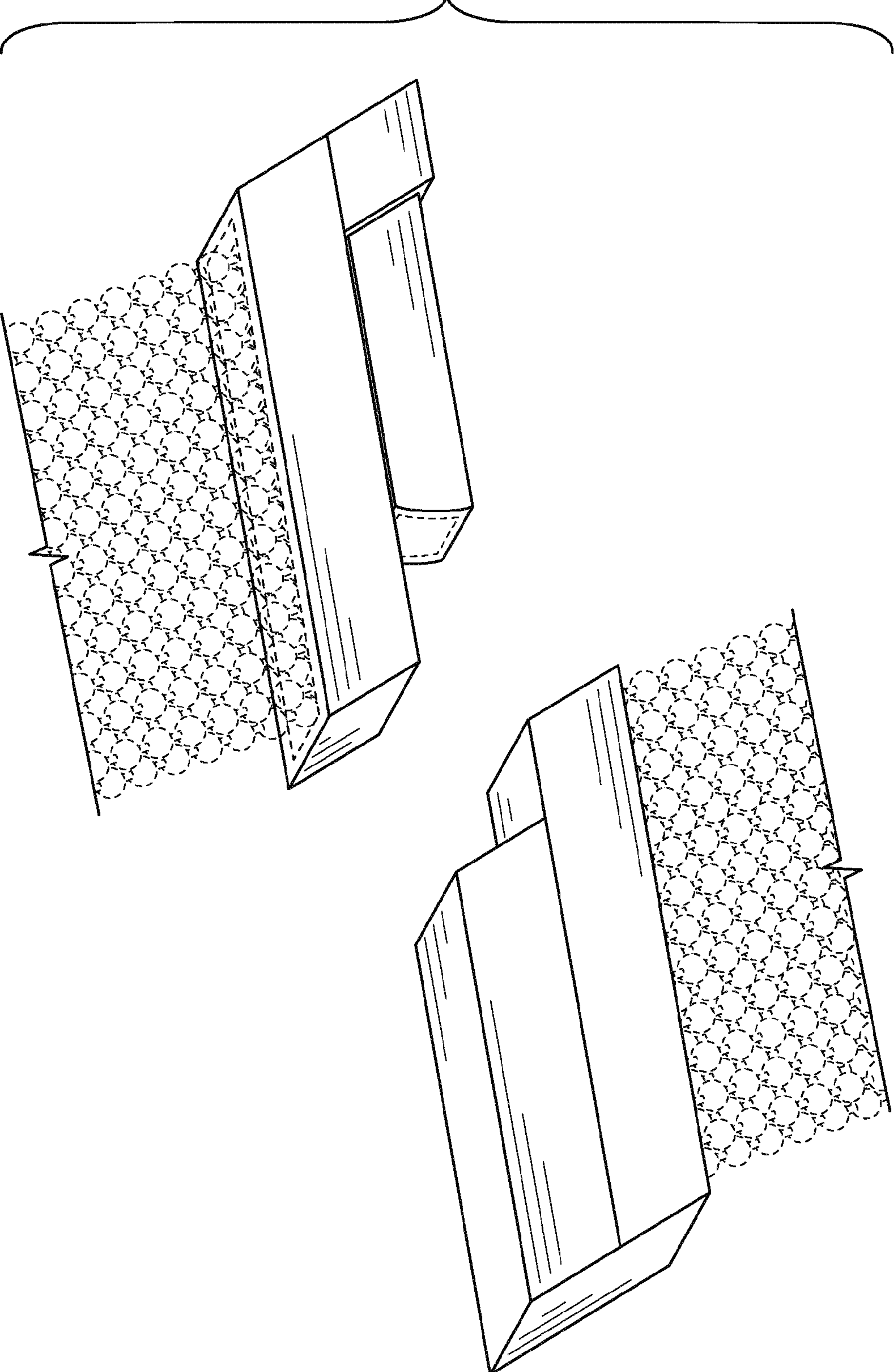
Page 2

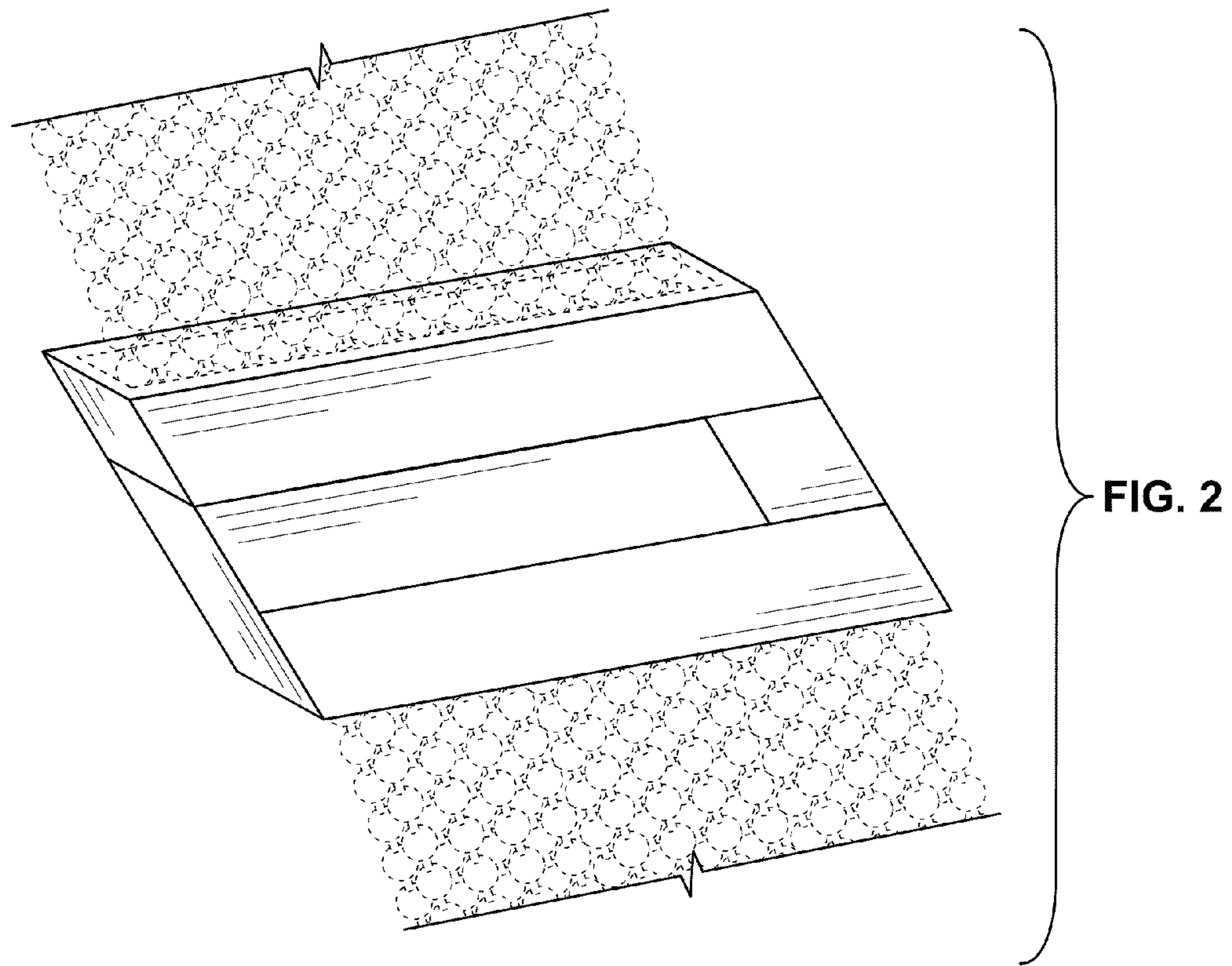
---

## U.S. PATENT DOCUMENTS

D630,543 S *	1/2011	Humphries .....	D11/87	D642,954 S *	8/2011	Humphries .....	D11/87
D631,780 S *	2/2011	Levy .....	D11/87	2003/0229974 A1*	12/2003	Zemer et al. ....	24/303
							* cited by examiner

FIG. 1







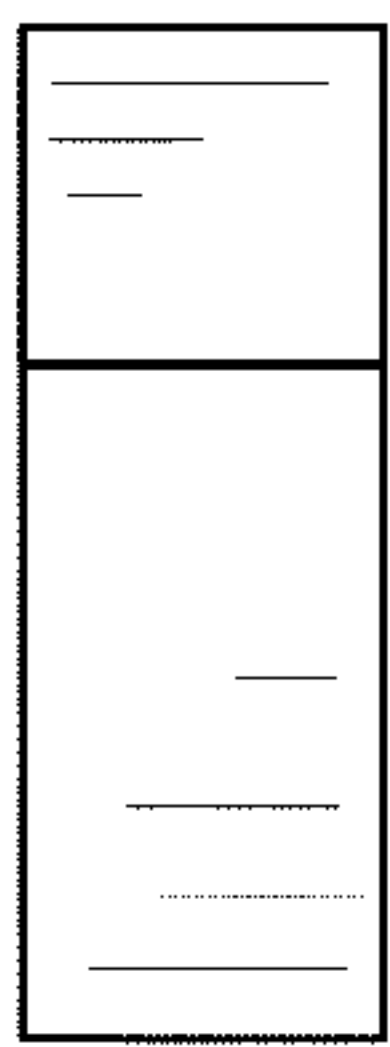


FIG. 3

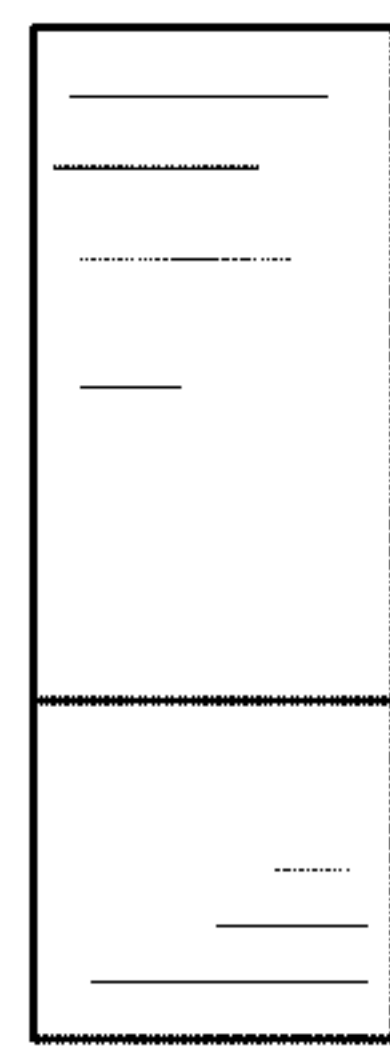


FIG. 4

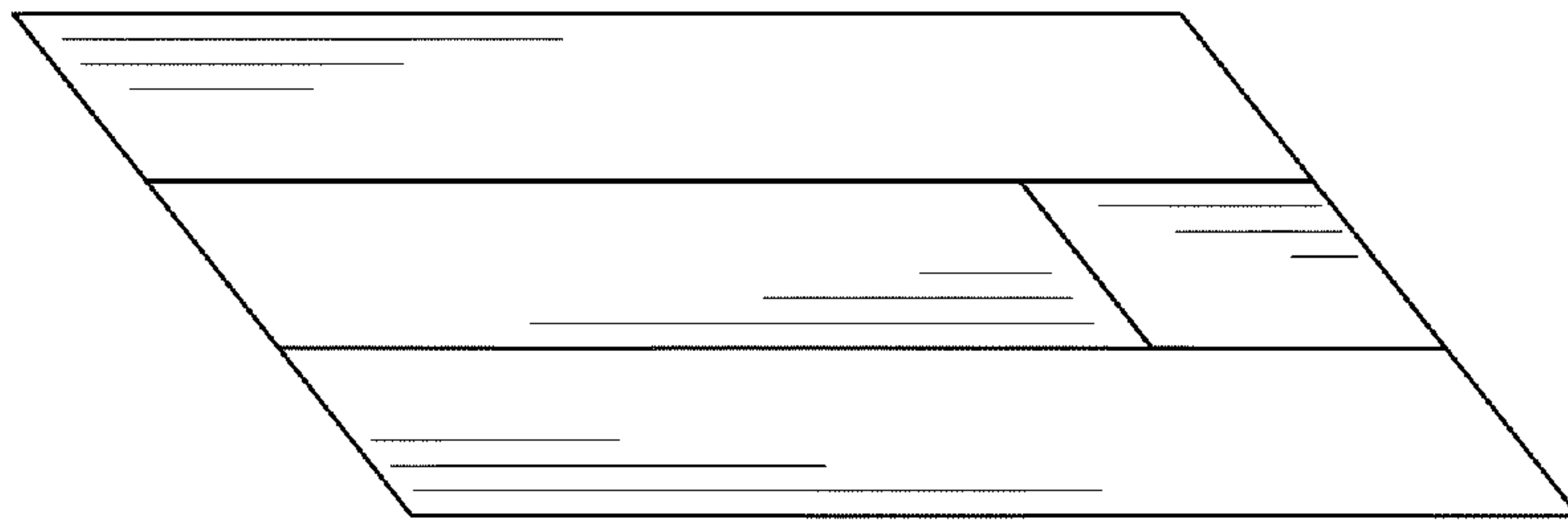


FIG. 5

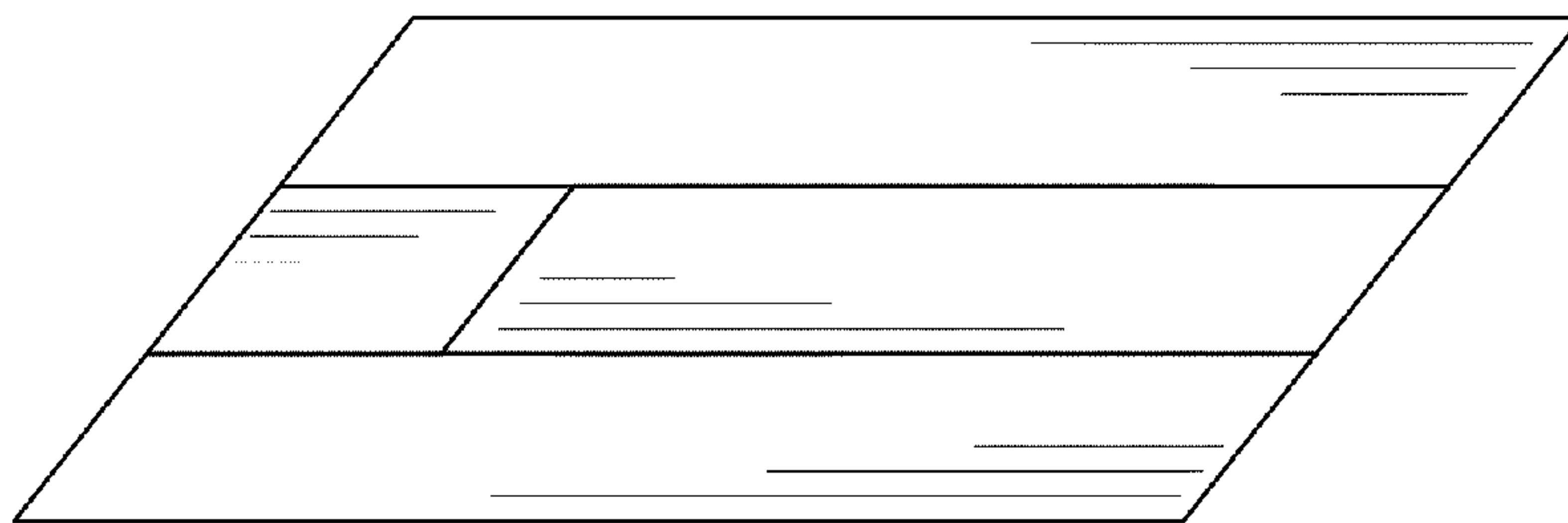


FIG. 6



FIG. 7

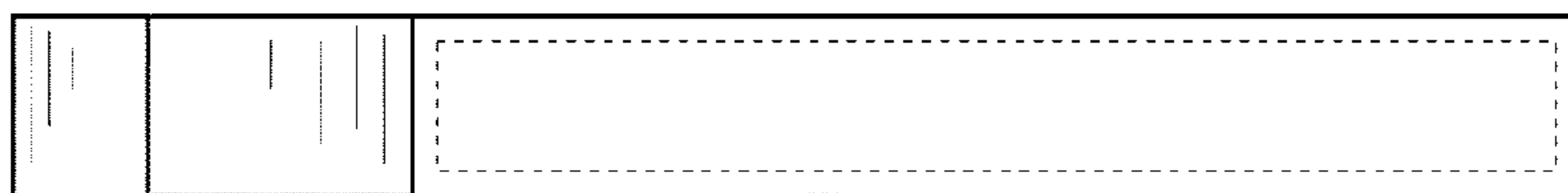


FIG. 8

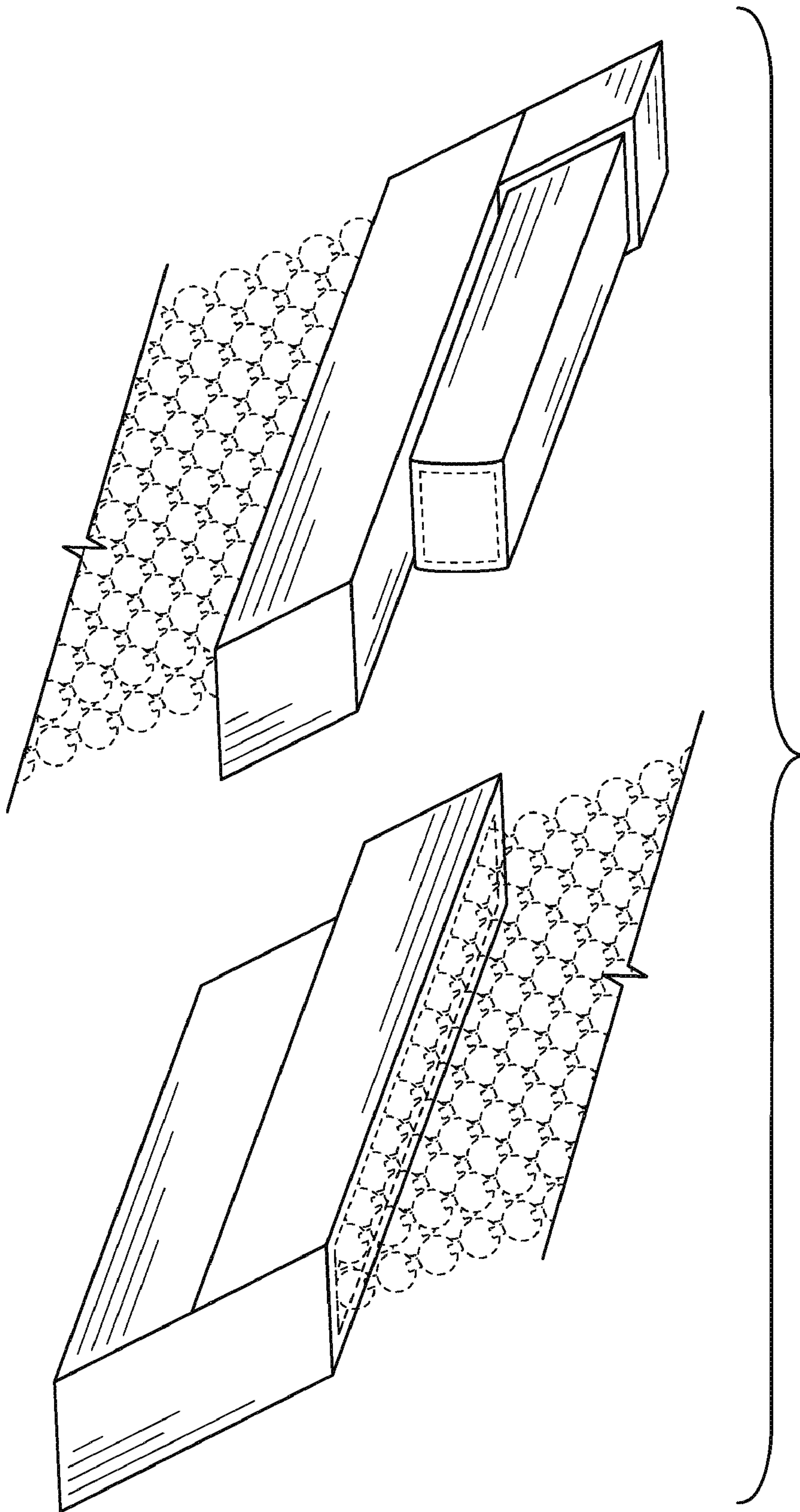


FIG. 9

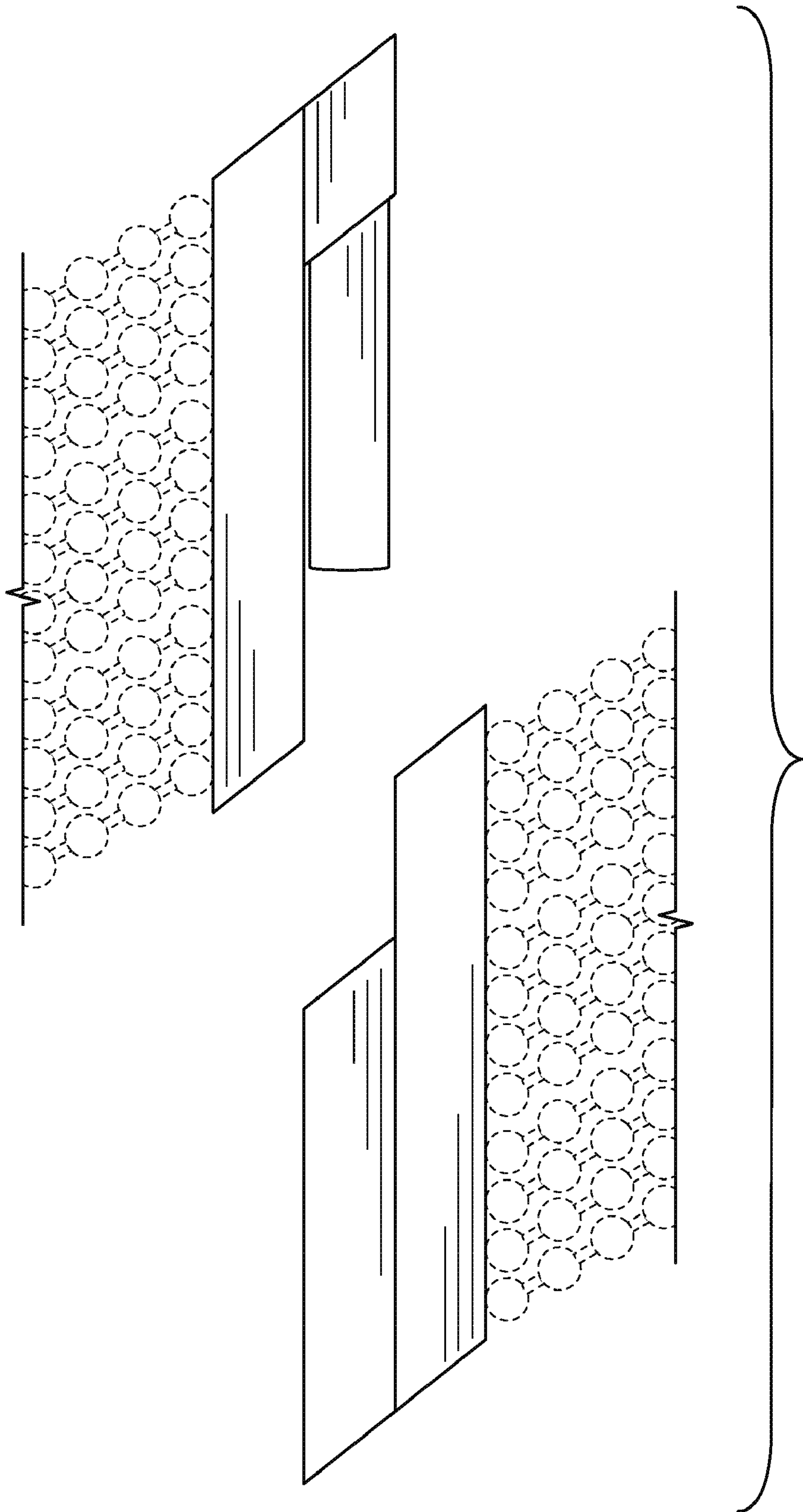


FIG. 10