



US00D651935S

(12) **United States Design Patent**  
**Greer**

(10) **Patent No.:** **US D651,935 S**

(45) **Date of Patent:** **\*\* Jan. 10, 2012**

(54) **JEWELRY CLASP**

(76) Inventor: **Anne Greer**, Vancouver, WA (US)

(\*\*) Term: **14 Years**

(21) Appl. No.: **29/396,263**

(22) Filed: **Jun. 28, 2011**

(51) **LOC (9) Cl.** ..... **11-01**

(52) **U.S. Cl.** ..... **D11/87**

(58) **Field of Classification Search** ..... D11/200–231,  
D11/87, 88, 3, 86, 79; 63/12, 18, 20, 3, 3.1,  
63/3.2; 24/196, 616, 625, 650, 114.6, 303,  
24/658, 41.1

See application file for complete search history.

(56) **References Cited**

U.S. PATENT DOCUMENTS

246,247	A *	8/1881	Turpisch	63/20
1,412,011	A *	4/1922	Bohm	24/3.6
D171,834	S *	3/1954	Watson et al.	D11/87
D305,412	S *	1/1990	Zemer	D11/87
D313,571	S *	1/1991	Brom	D11/86
5,050,276	A *	9/1991	Pemberton	24/303
D388,356	S *	12/1997	Lucas et al.	D11/86
D390,496	S *	2/1998	Olsen et al.	D11/87
D517,939	S *	3/2006	Zoullas	D11/86
D518,404	S *	4/2006	Maschio	D11/79
D518,751	S *	4/2006	Zoullas	D11/86
D567,704	S *	4/2008	Martin	D11/87

\* cited by examiner

*Primary Examiner* — Cathron Brooks

*Assistant Examiner* — Melanie Pellegrini

(74) *Attorney, Agent, or Firm* — Mark E. Beatty; Kurt M. Rylander; Rylander & Associates PC.

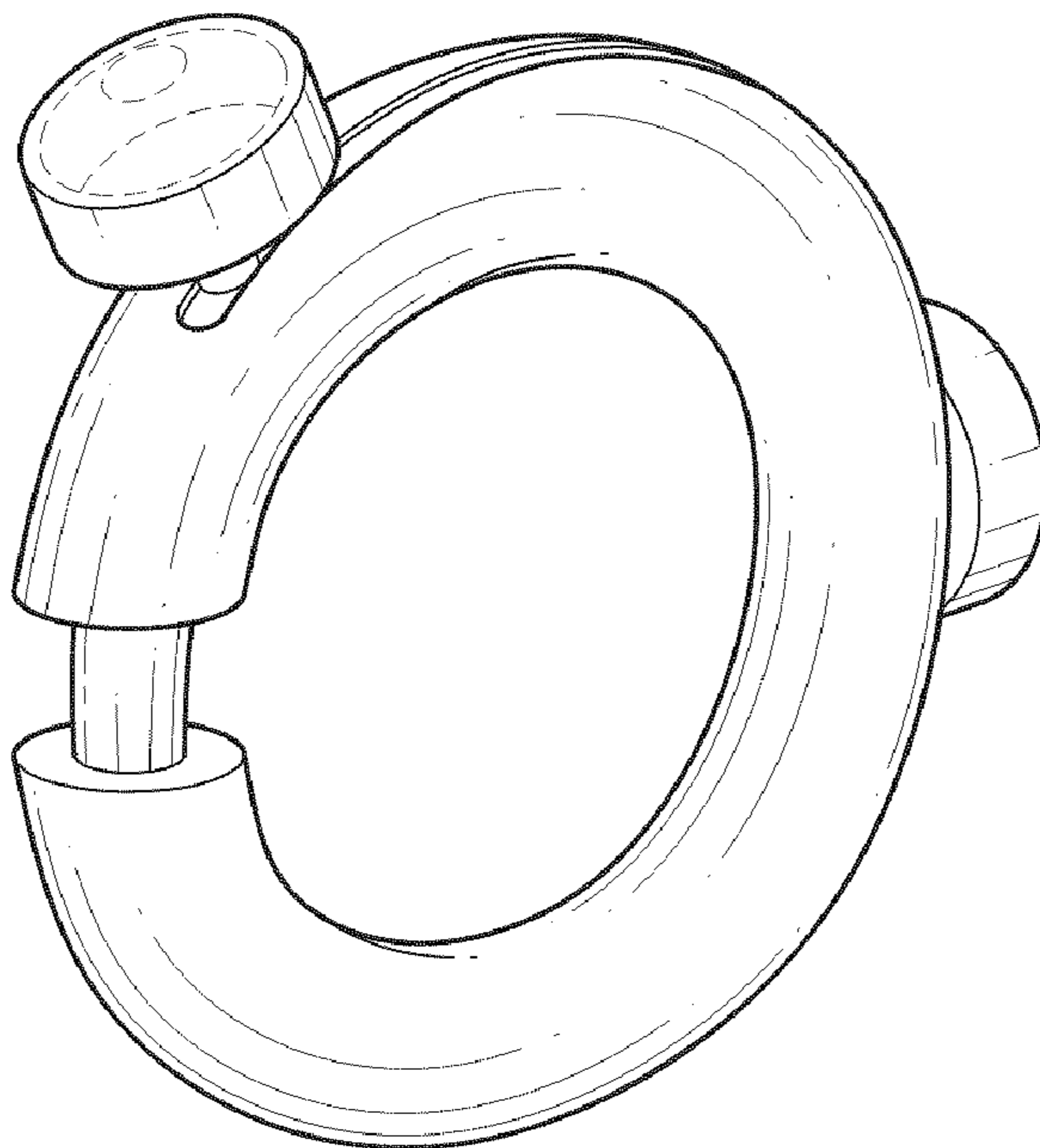
(57) **CLAIM**

The ornamental design for a jewelry clasp, as shown and described.

**DESCRIPTION**

FIG. 1 is a right side and top perspective view of a jewelry clasp showing my new design;  
 FIG. 2 is a right side elevational view thereof, the left side elevational view being a mirror image thereof;  
 FIG. 3 is a front elevational view thereof;  
 FIG. 4 is a rear elevational view thereof;  
 FIG. 5 is a right side and top perspective view thereof, shown in an unclaimed environment;  
 FIG. 6 is a front view thereof, partially rotated from that which is shown in FIG. 3;  
 FIG. 7 is a right side and top perspective view of a second embodiment of a jewelry clasp showing my new design;  
 FIG. 8 is a right side elevational view thereof, the left side elevational view being a mirror image thereof;  
 FIG. 9 is a front elevational view thereof;  
 FIG. 10 is a rear elevational view thereof; and,  
 FIG. 11 is a rear elevational view thereof, partially rotated from that which is shown in FIG. 10.  
 The broken lines shown in the drawings represent environment and unclaimed portions of the jewelry clasp and form no part of the claimed design.

**1 Claim, 7 Drawing Sheets**



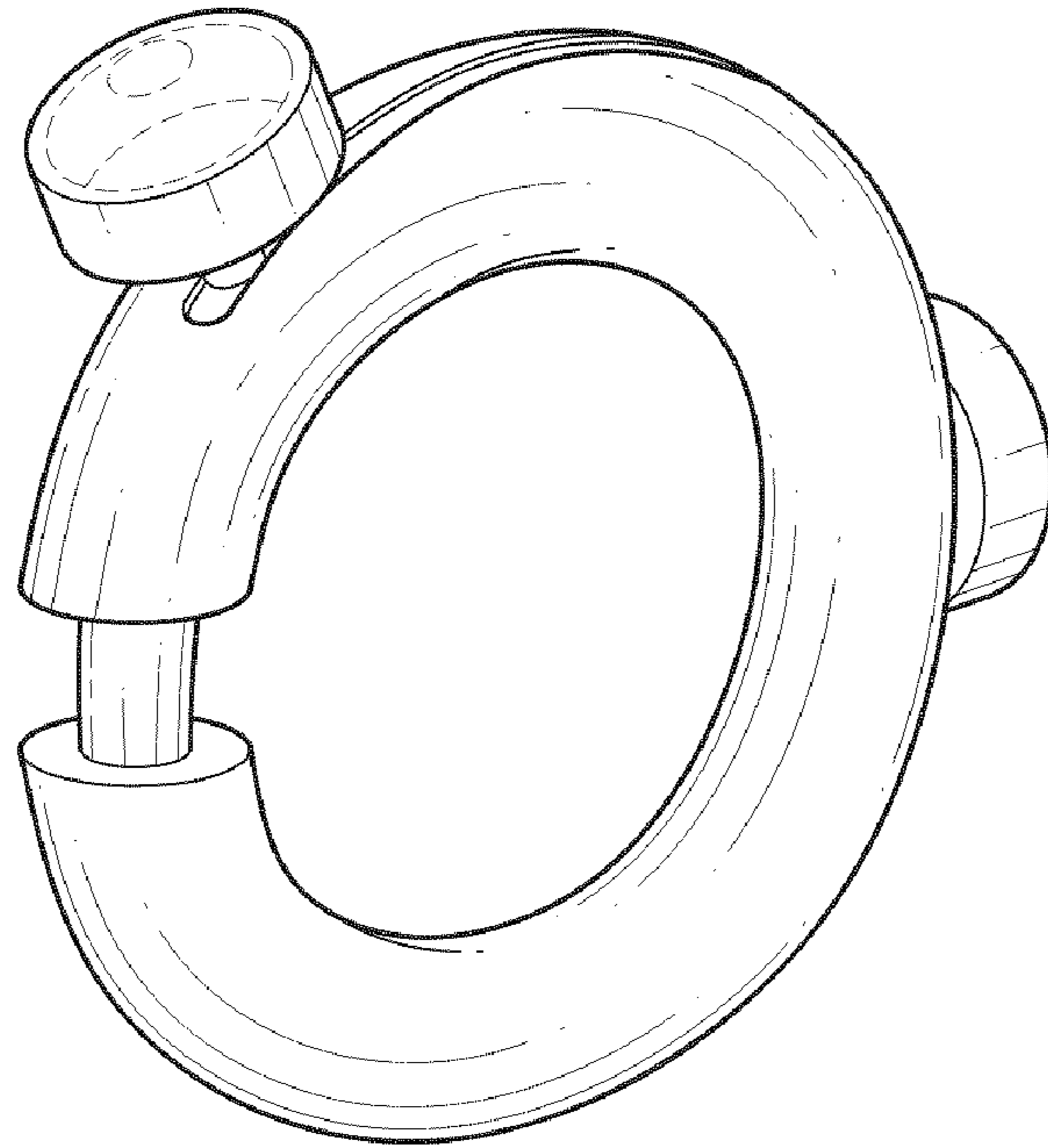


FIG. 1

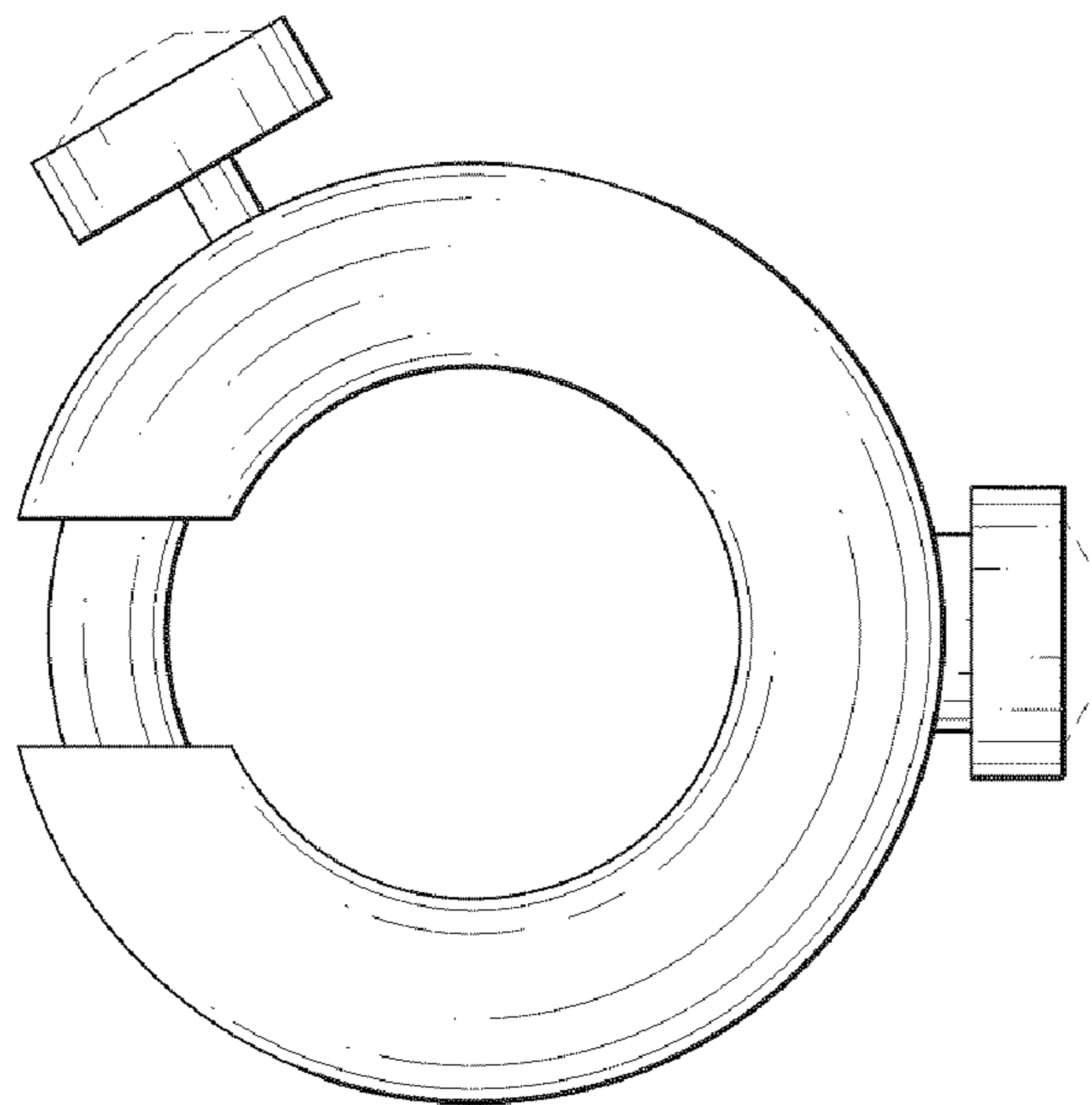


FIG. 2

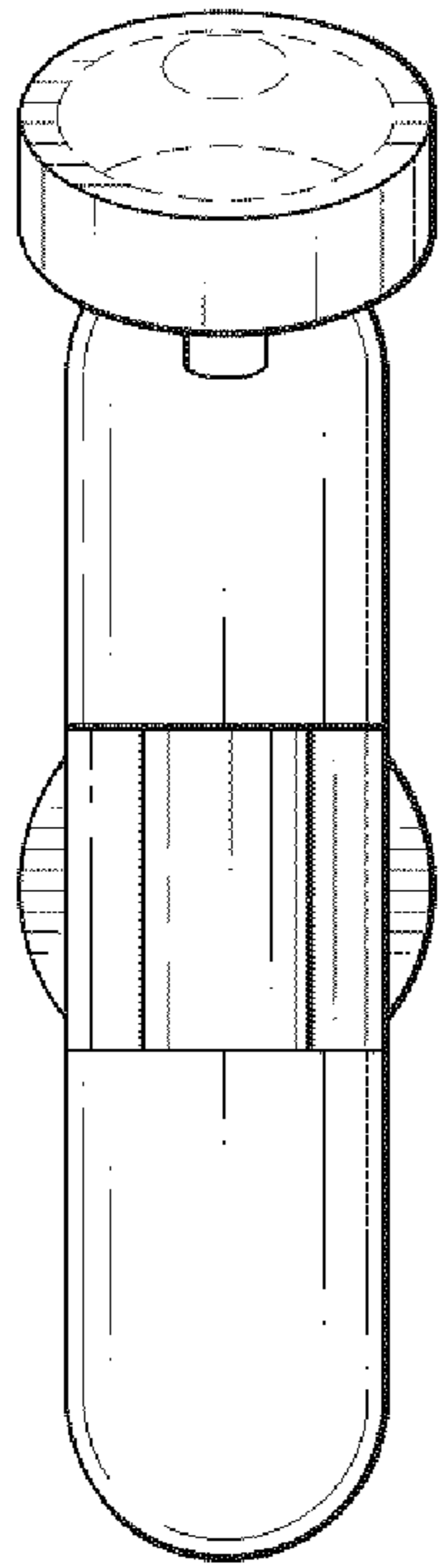


FIG. 3

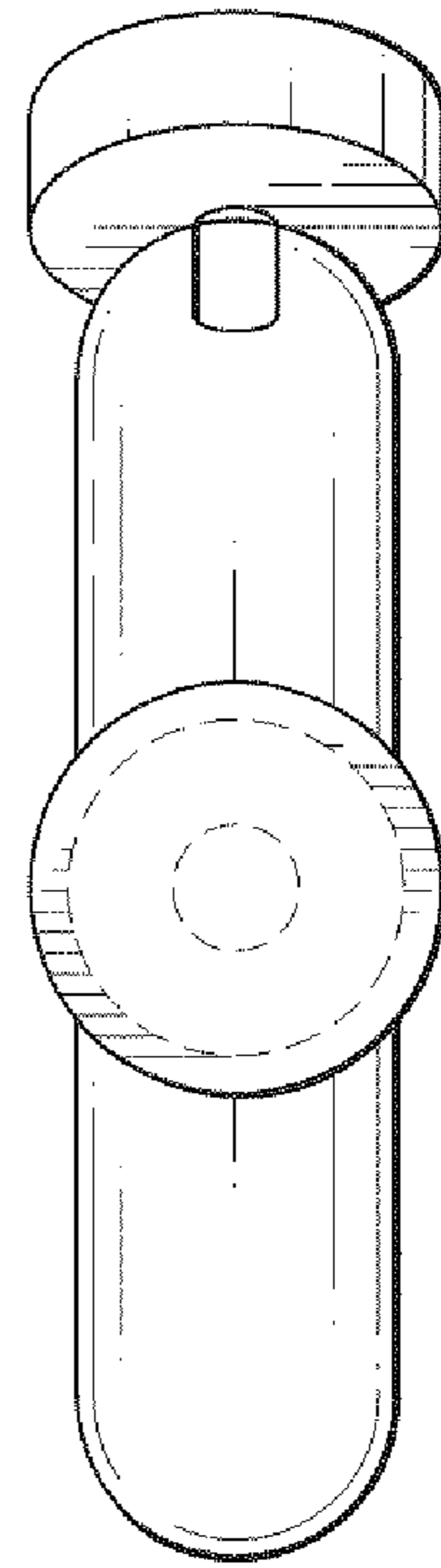


FIG. 4

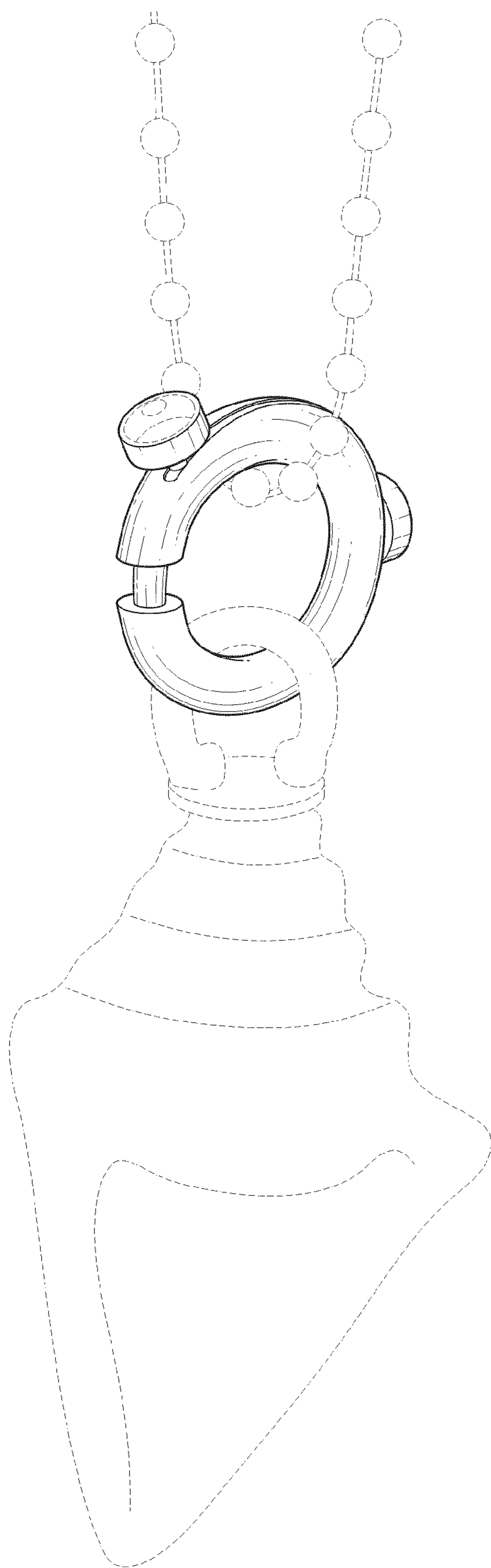


FIG. 5

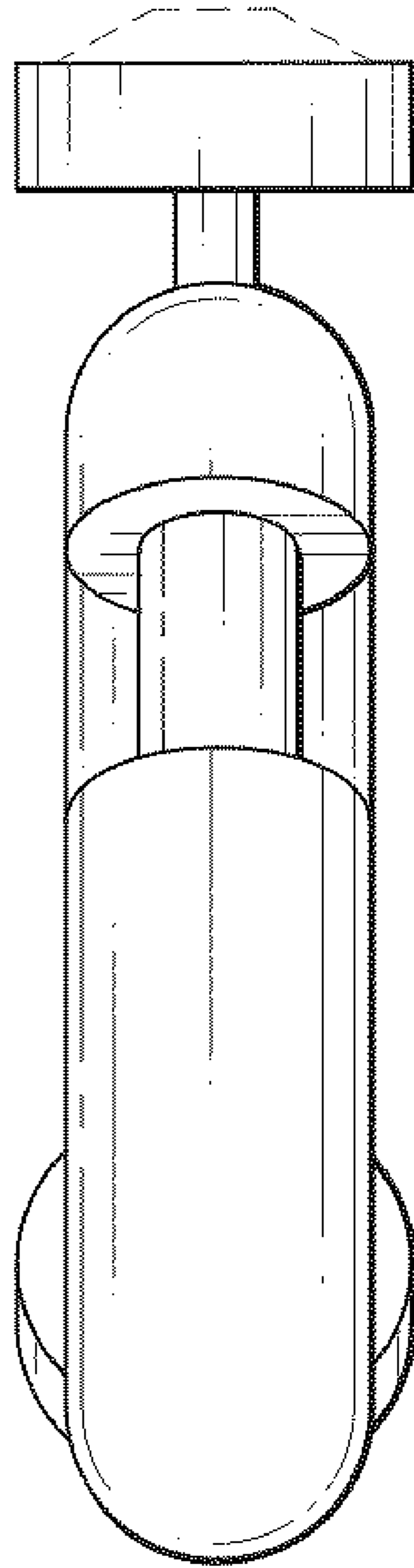


FIG. 6

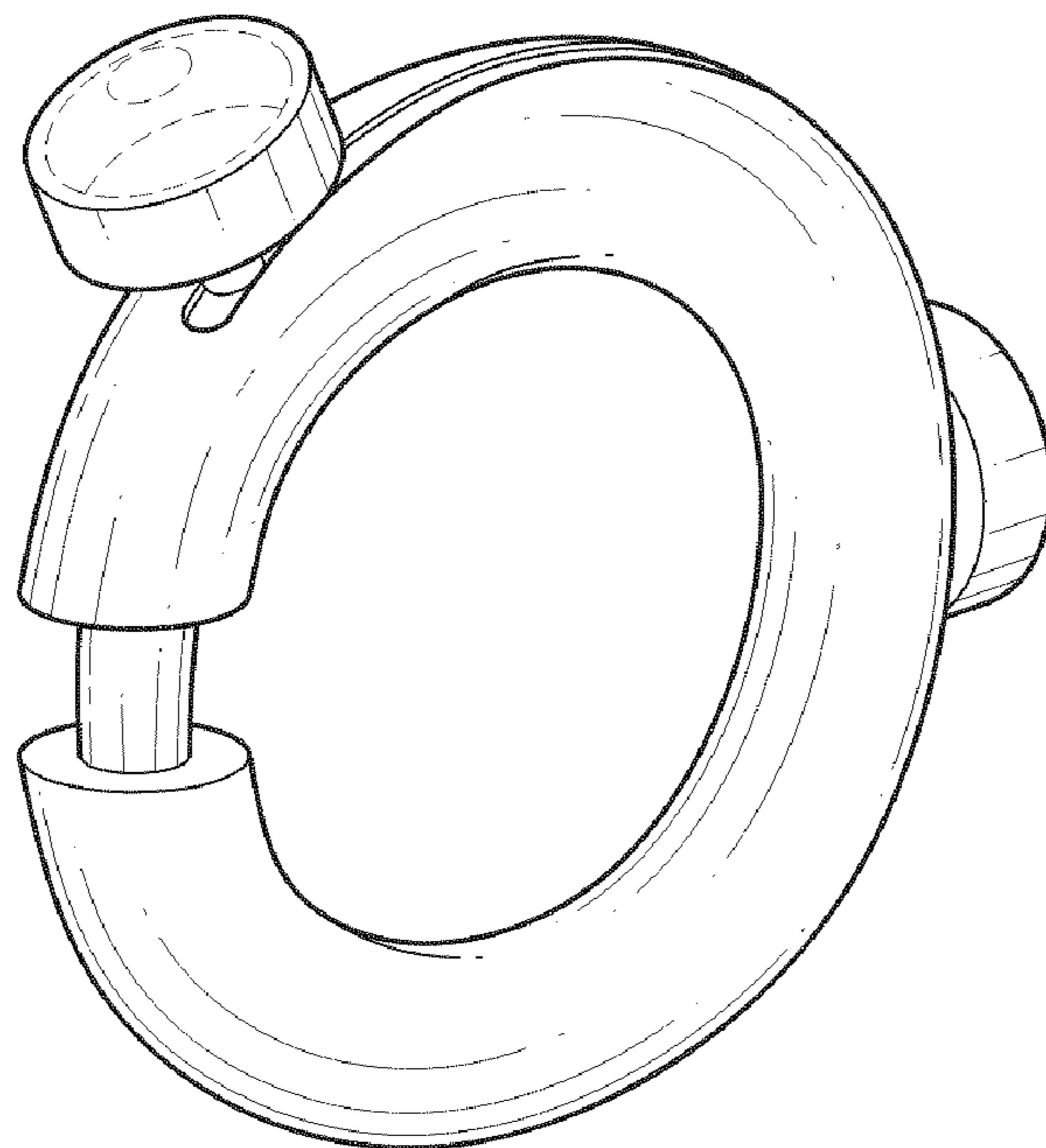


FIG. 7

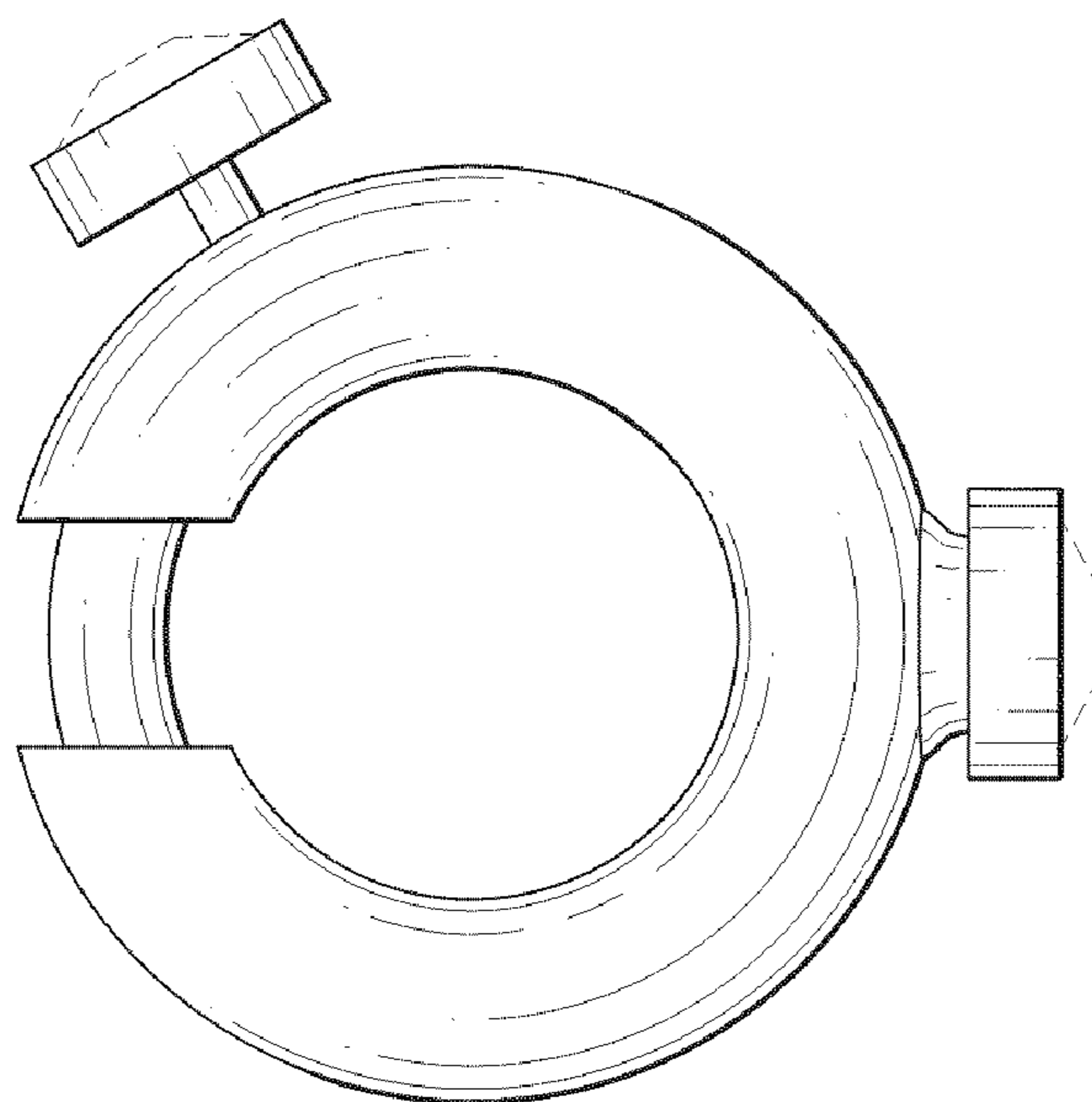


FIG. 8

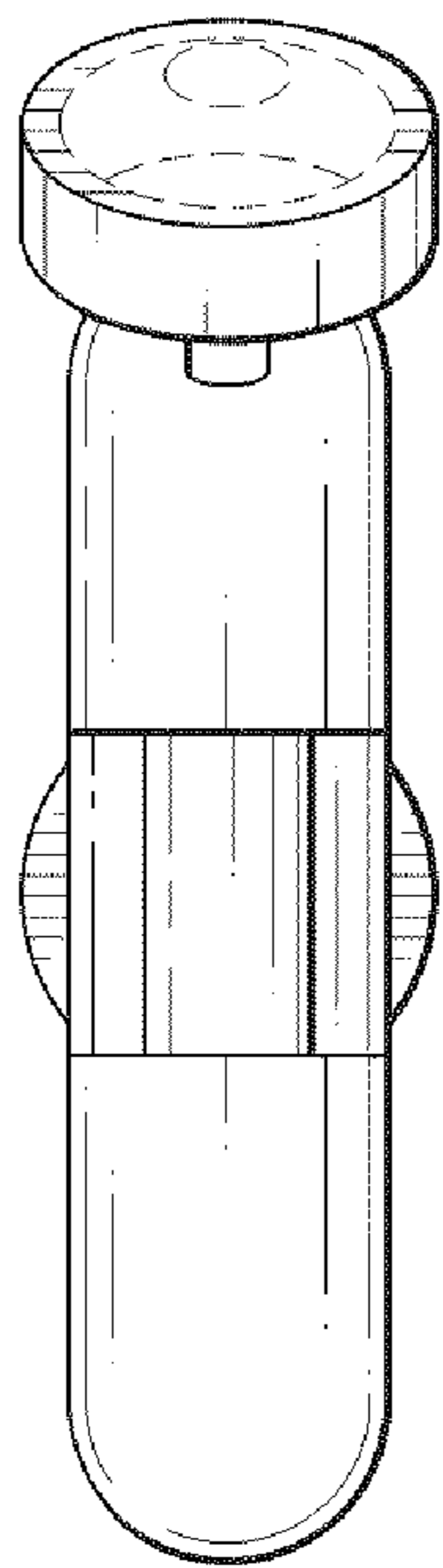


FIG. 9

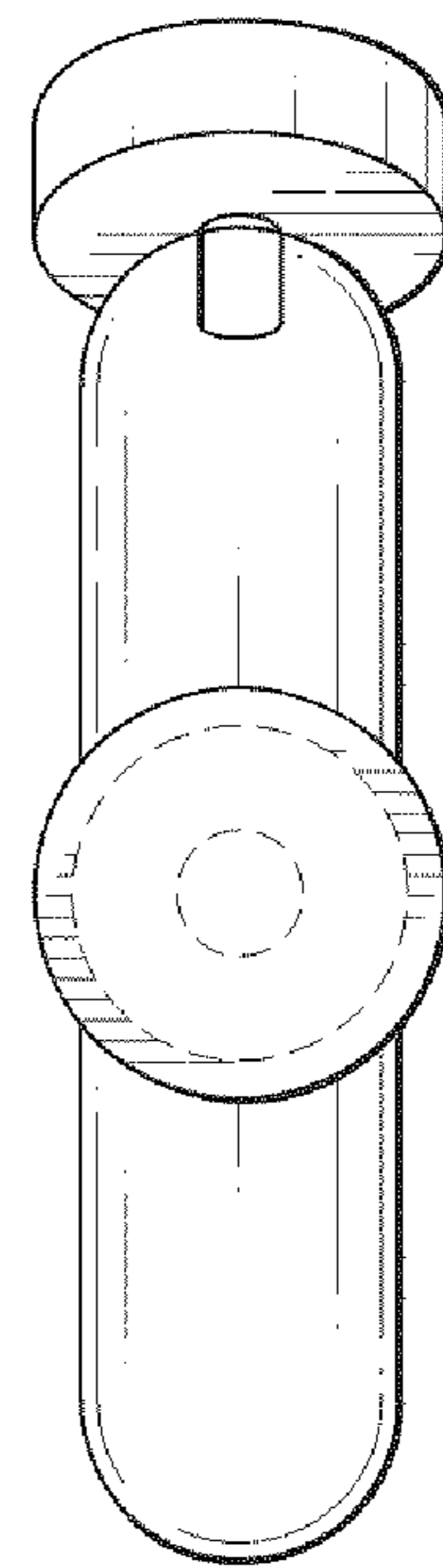


FIG. 10

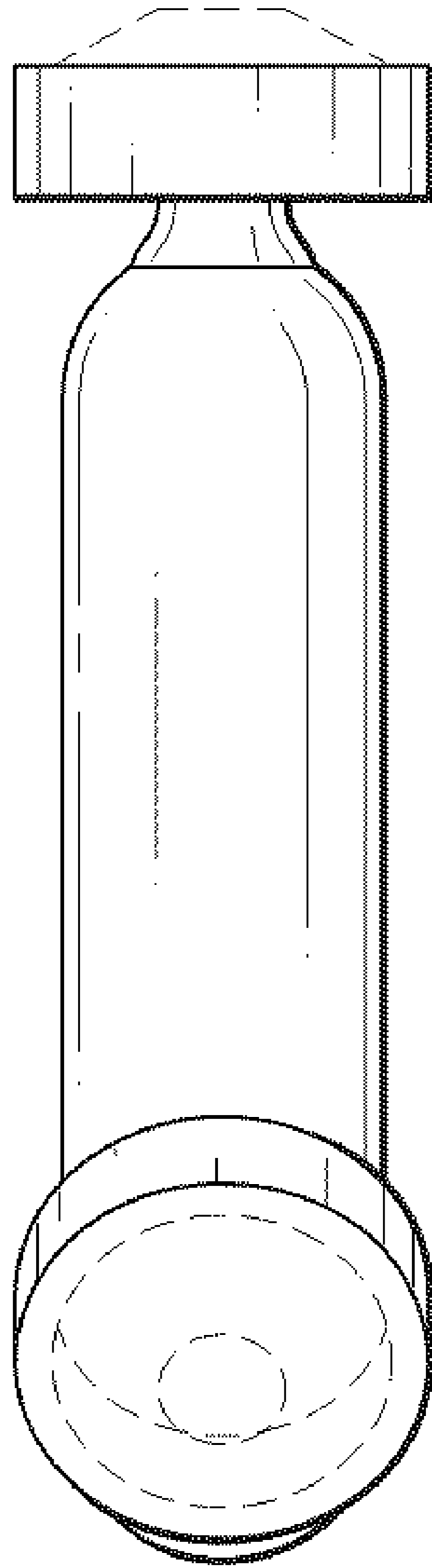


FIG. 11