



US00D651929S

(12) **United States Design Patent**  
**Bertucci**

(10) **Patent No.:** **US D651,929 S**  
(45) **Date of Patent:** **\*\* Jan. 10, 2012**

(54) **PROTECTIVE GUARD FOR A WATCH**

(76) Inventor: **Michael H. Bertucci**, Gurnee, IL (US)

(\*\*) Term: **14 Years**

(21) Appl. No.: **29/397,643**

(22) Filed: **Jul. 19, 2011**

(51) **LOC (9) Cl.** ..... **10-07**

(52) **U.S. Cl.** ..... **D10/132**

(58) **Field of Classification Search** ..... D10/132;  
368/286, 287, 283

See application file for complete search history.

(56) **References Cited**

**U.S. PATENT DOCUMENTS**

1,101,500	A *	6/1914	Murphey	224/169
D48,268	S *	12/1915	Wachter	D10/132
1,199,256	A *	9/1916	Farr	368/286
D50,558	S *	4/1917	Levi	D10/132
D51,182	S *	8/1917	Lederer	D10/132
D51,225	S *	9/1917	Dean	D10/132
D51,298	S *	9/1917	Brown	D10/132
1,249,906	A *	12/1917	Daw	368/286
D52,220	S *	7/1918	Jacot	D10/132
D52,271	S *	8/1918	Heimberg	D10/132
1,503,097	A	7/1924	Daving	
1,767,315	A	6/1930	Schreiber	
2,582,473	A *	1/1952	Belfert	368/286
2,601,942	A *	7/1952	Pachter	224/171
2,635,416	A	4/1953	Mietchen	
2,692,070	A	10/1954	Kammer	
2,745,580	A	5/1956	Ward	
3,111,247	A *	11/1963	Just	368/286
3,584,455	A *	6/1971	Sion	368/283
3,712,049	A *	1/1973	Luxembourg	368/281
4,277,842	A *	7/1981	Richards	368/282
4,509,644	A	4/1985	Kulick	
4,511,261	A *	4/1985	Mishima	368/286
4,592,660	A *	6/1986	Hartman et al.	368/268
4,835,750	A *	5/1989	Quincey	368/286
4,837,756	A *	6/1989	Hartman et al.	368/286
D310,049	S *	8/1990	Hartman et al.	D10/132

4,964,093	A	10/1990	Hiranuma et al.	
D312,980	S *	12/1990	Kawashima	D10/132
4,999,823	A *	3/1991	Grosjean	368/295
5,224,078	A	6/1993	Mallin	

(Continued)

**FOREIGN PATENT DOCUMENTS**

AU 9950085 A \* 3/2000

*Primary Examiner* — Lucy Lieberman

(74) *Attorney, Agent, or Firm* — Clark Hill, PLC

(57) **CLAIM**

I claim the ornamental design for a protective guard for a watch, as shown and described.

**DESCRIPTION**

FIG. 1 is a perspective view of the protective guard for a watch according to my design showing the environment in which the protective guard is used;

FIG. 2 is a perspective view of the protective guard for a watch according to my design;

FIG. 3 is a front view of the protective guard for a watch according to my design;

FIG. 4 is a back view of the protective guard for a watch according to my design;

FIG. 5 is a right side view of the protective guard for a watch according to my design;

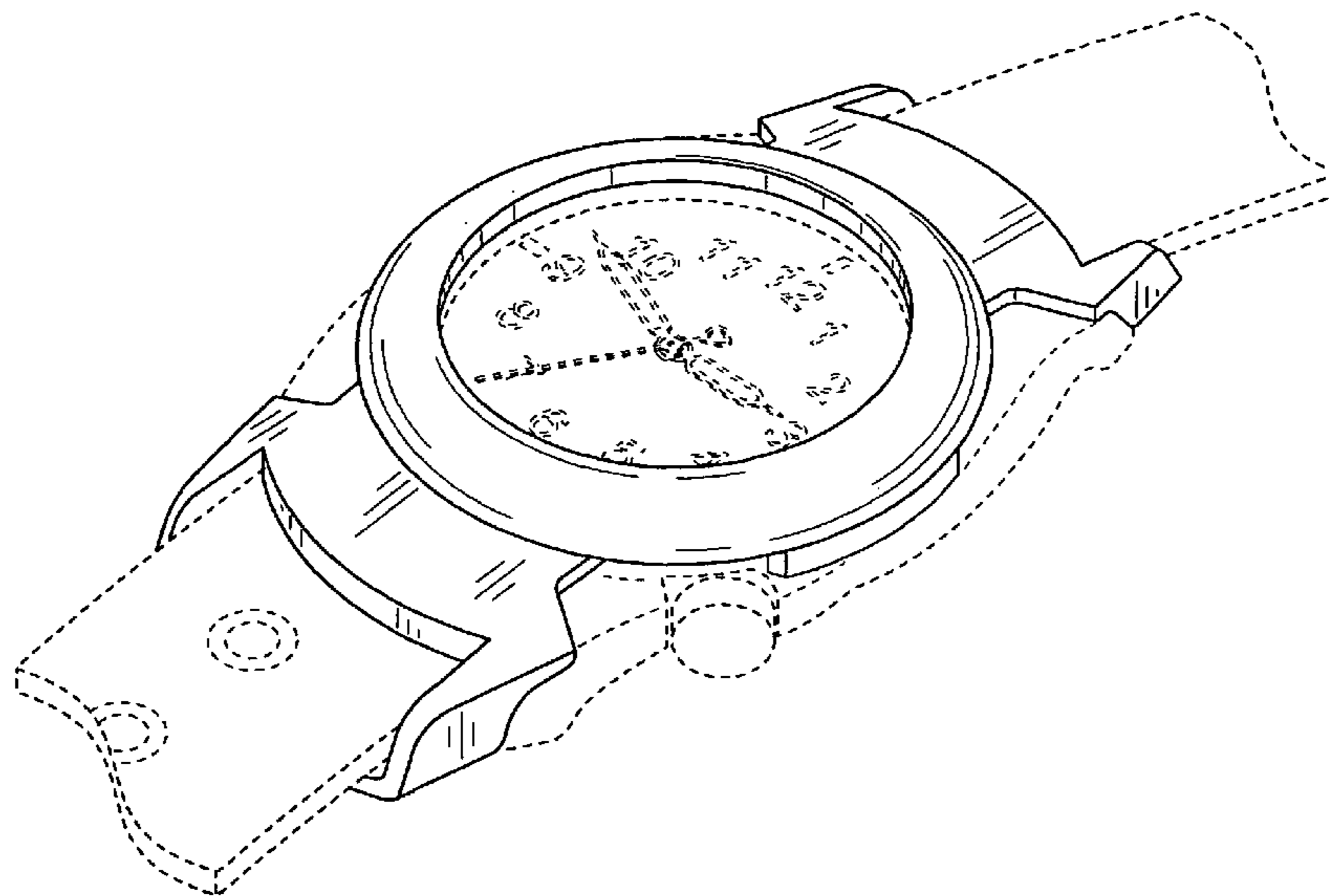
FIG. 6 is a left side view of the protective guard for a watch according to my design;

FIG. 7 is a top plan view of the protective guard for a watch according to my design; and,

FIG. 8 is a bottom plan view of the protective guard for a watch according to my design.

The broken line showing in FIG. 1 is for illustrative purposes only to show the environment in which the protective guard is used, and forms no part of the claimed design.

**1 Claim, 5 Drawing Sheets**



# US D651,929 S

Page 2

---

## U.S. PATENT DOCUMENTS

5,638,342	A	*	6/1997	Kartsotis et al. ....	368/282	D438,811	S	*	3/2001	Iwamoto .....	D10/132
D392,910	S	*	3/1998	Kume et al. ....	D10/132	6,199,730	B1		3/2001	Chisolm	
D401,162	S	*	11/1998	Ishizaka et al. ....	D10/31	6,406,178	B1		6/2002	Luscher et al.	
D410,865	S	*	6/1999	Myers .....	D10/132	D502,410	S		3/2005	Dias	
D427,084	S		6/2000	Ramos, Jr. et al.		7,201,020	B2		4/2007	Frank	

\* cited by examiner

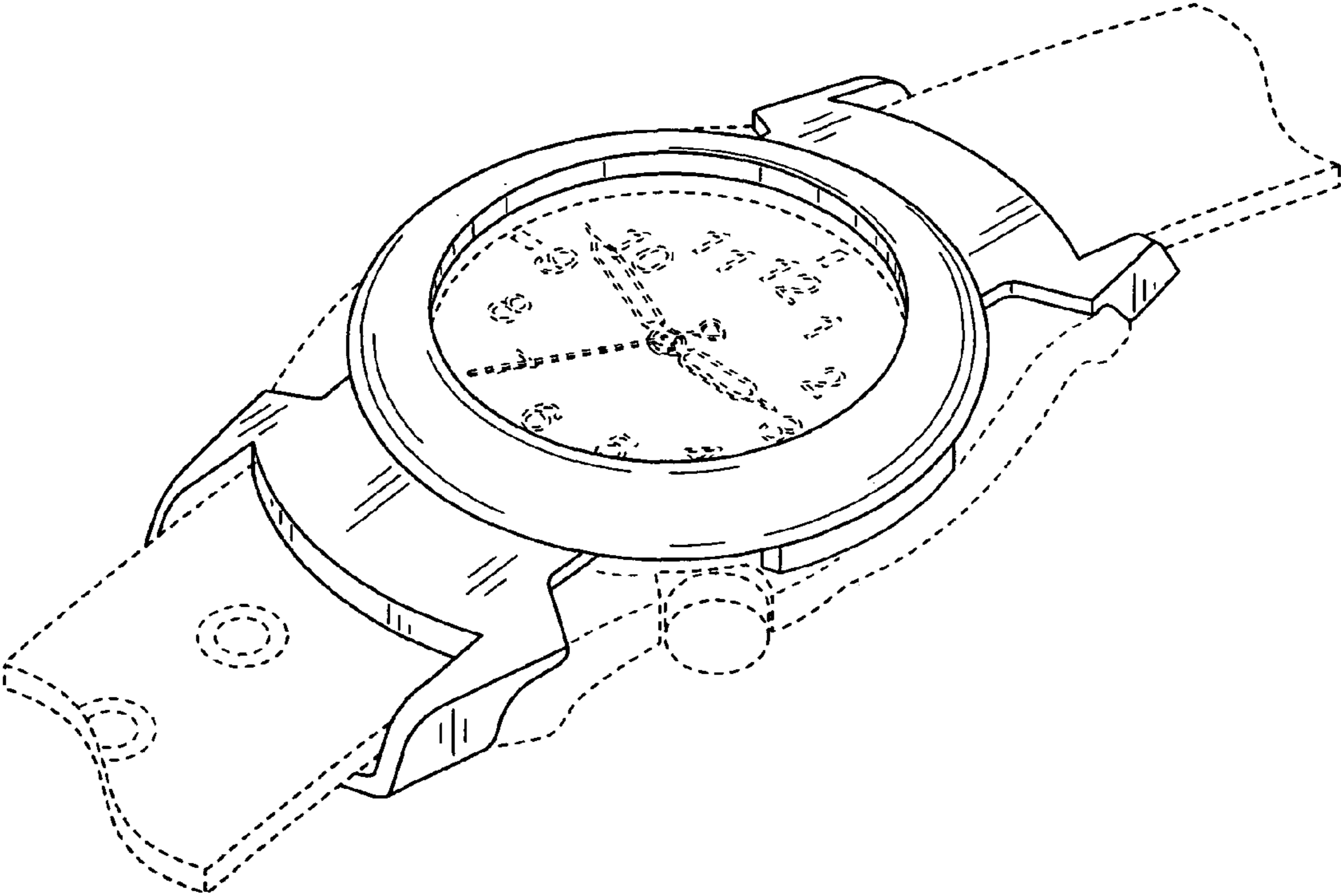


FIG. 1

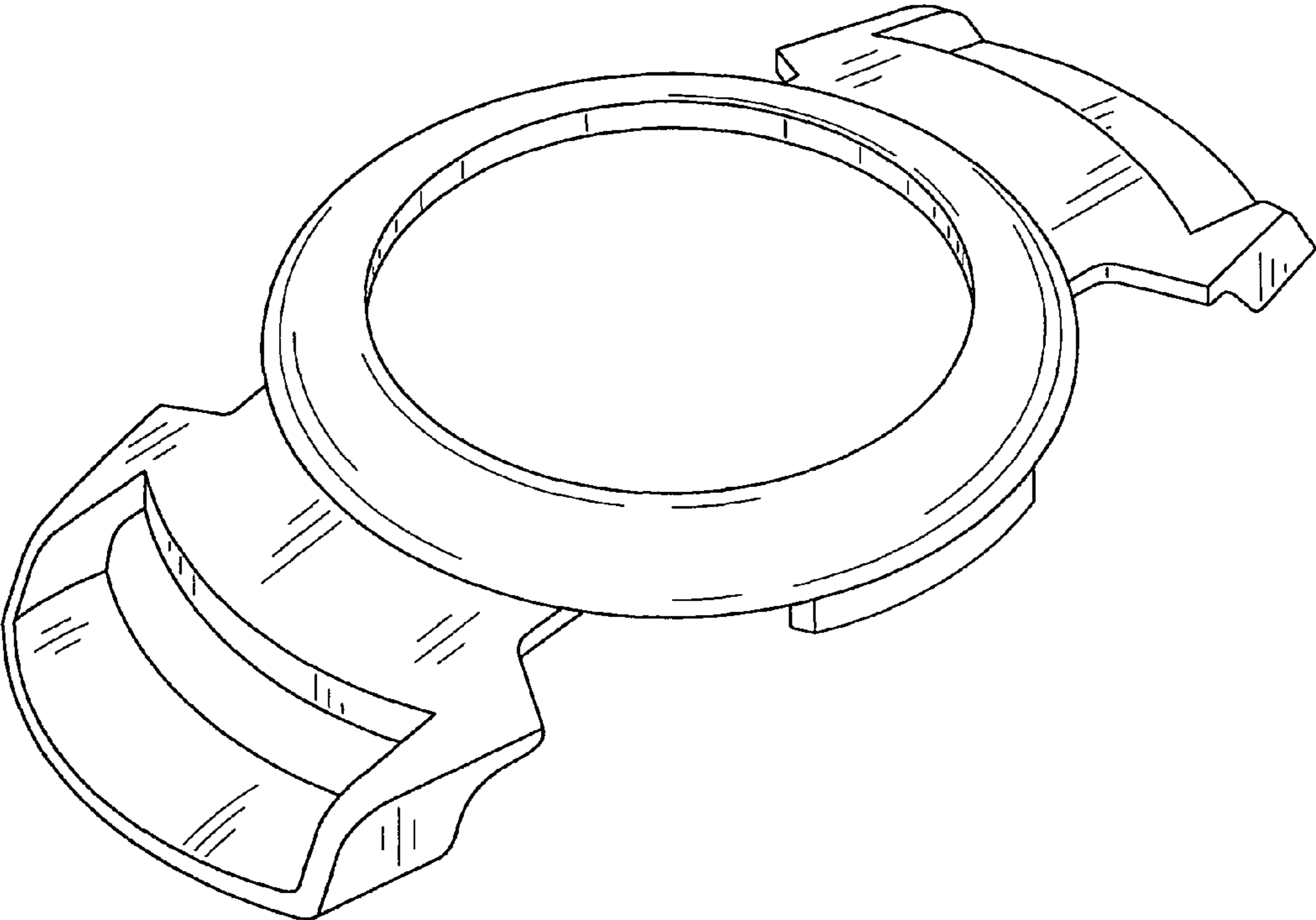


FIG. 2

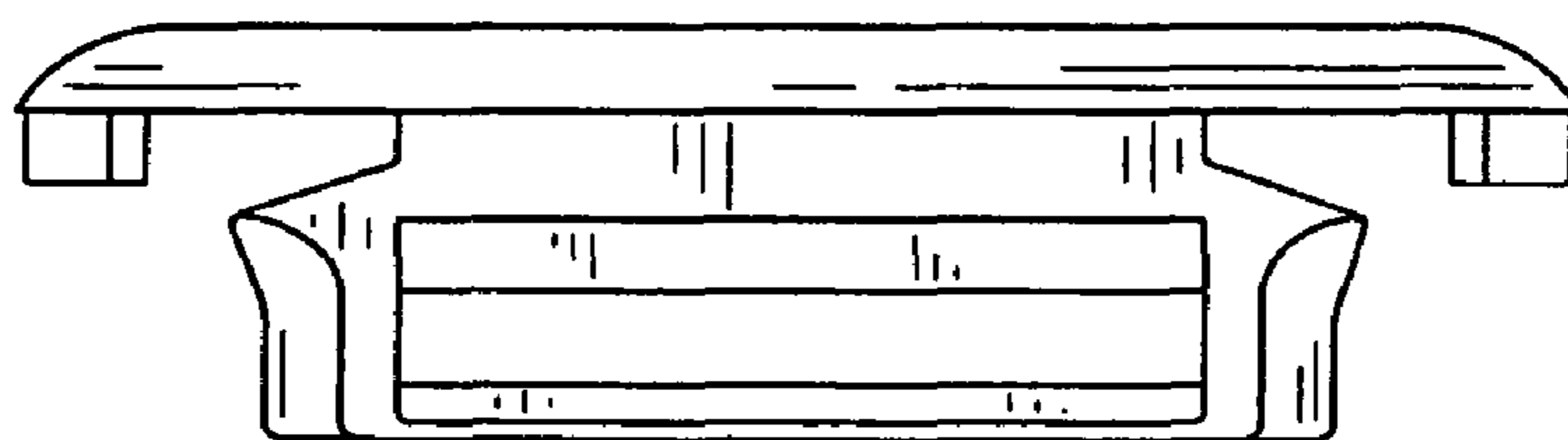


FIG. 3

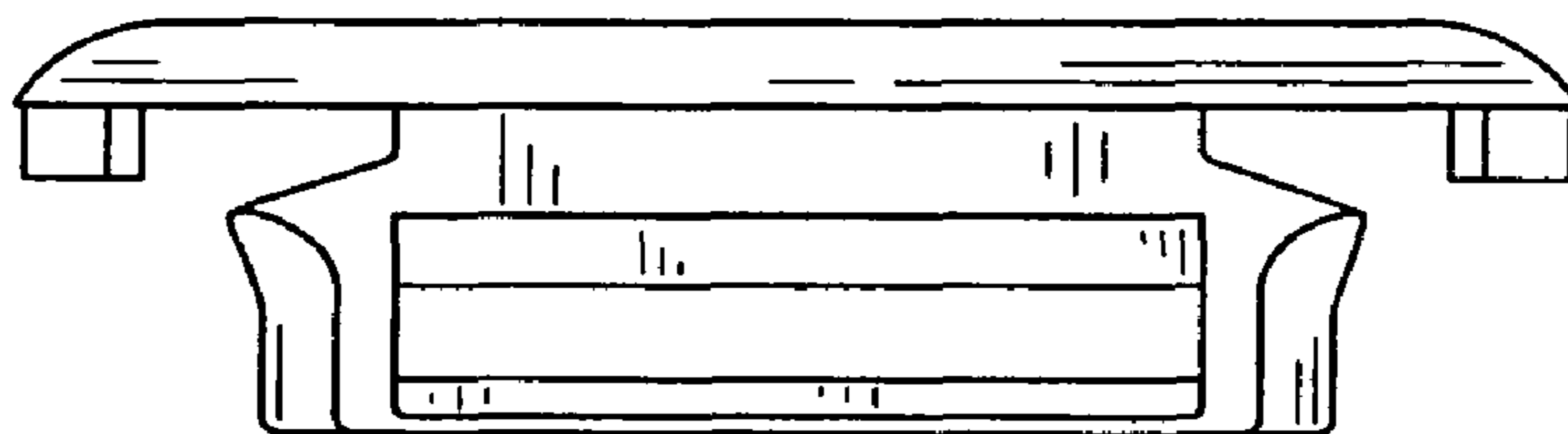


FIG. 4

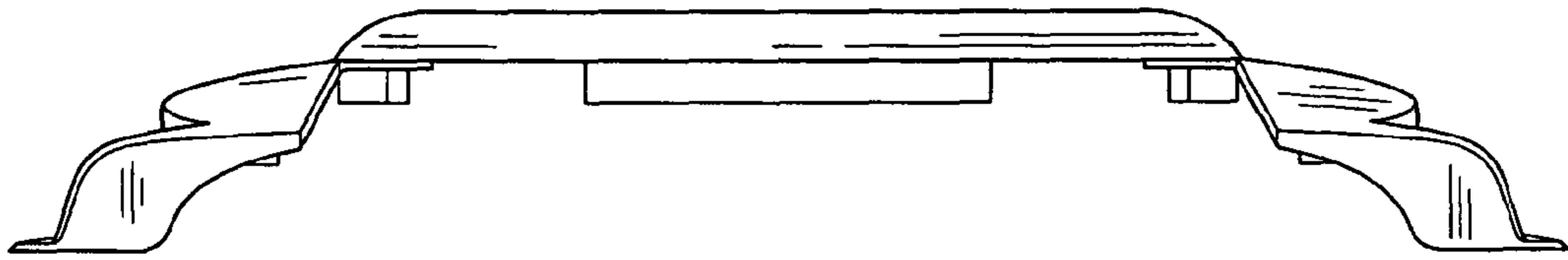


FIG. 5

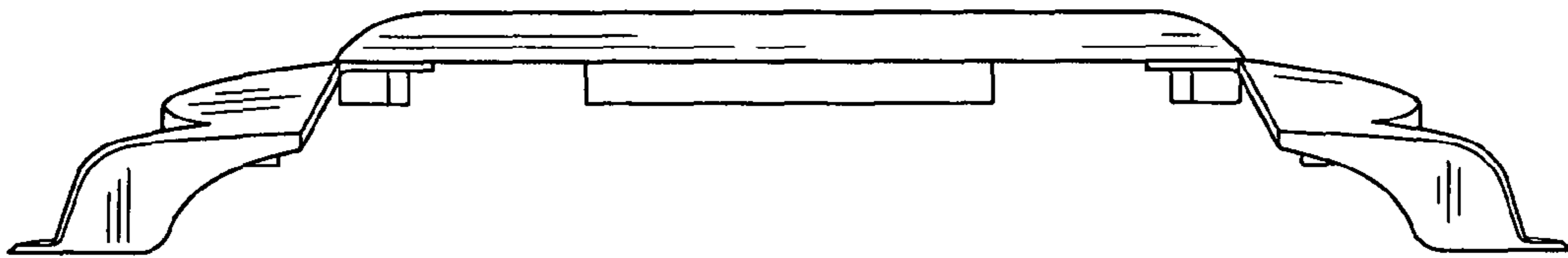


FIG. 6

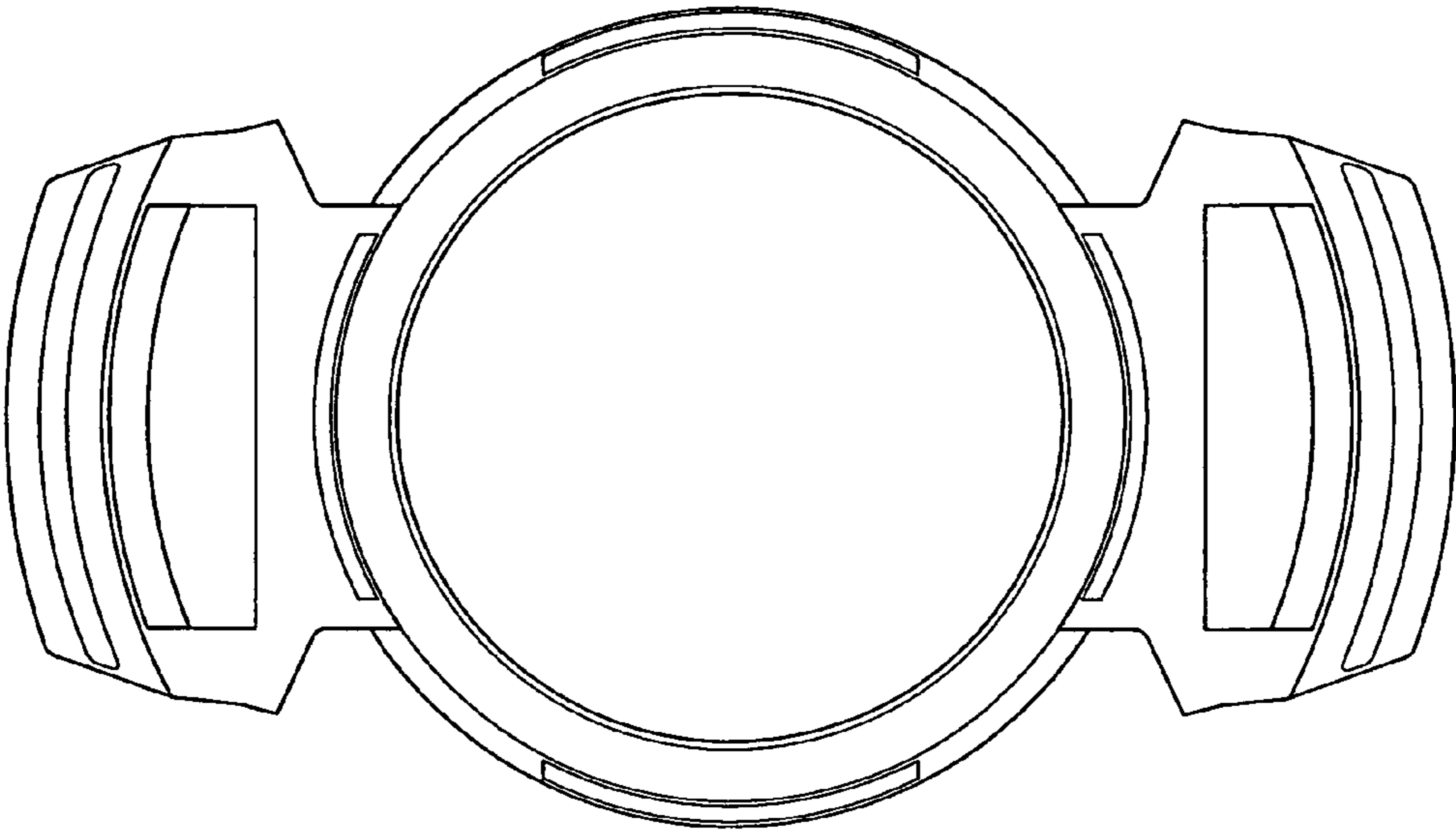


FIG. 8

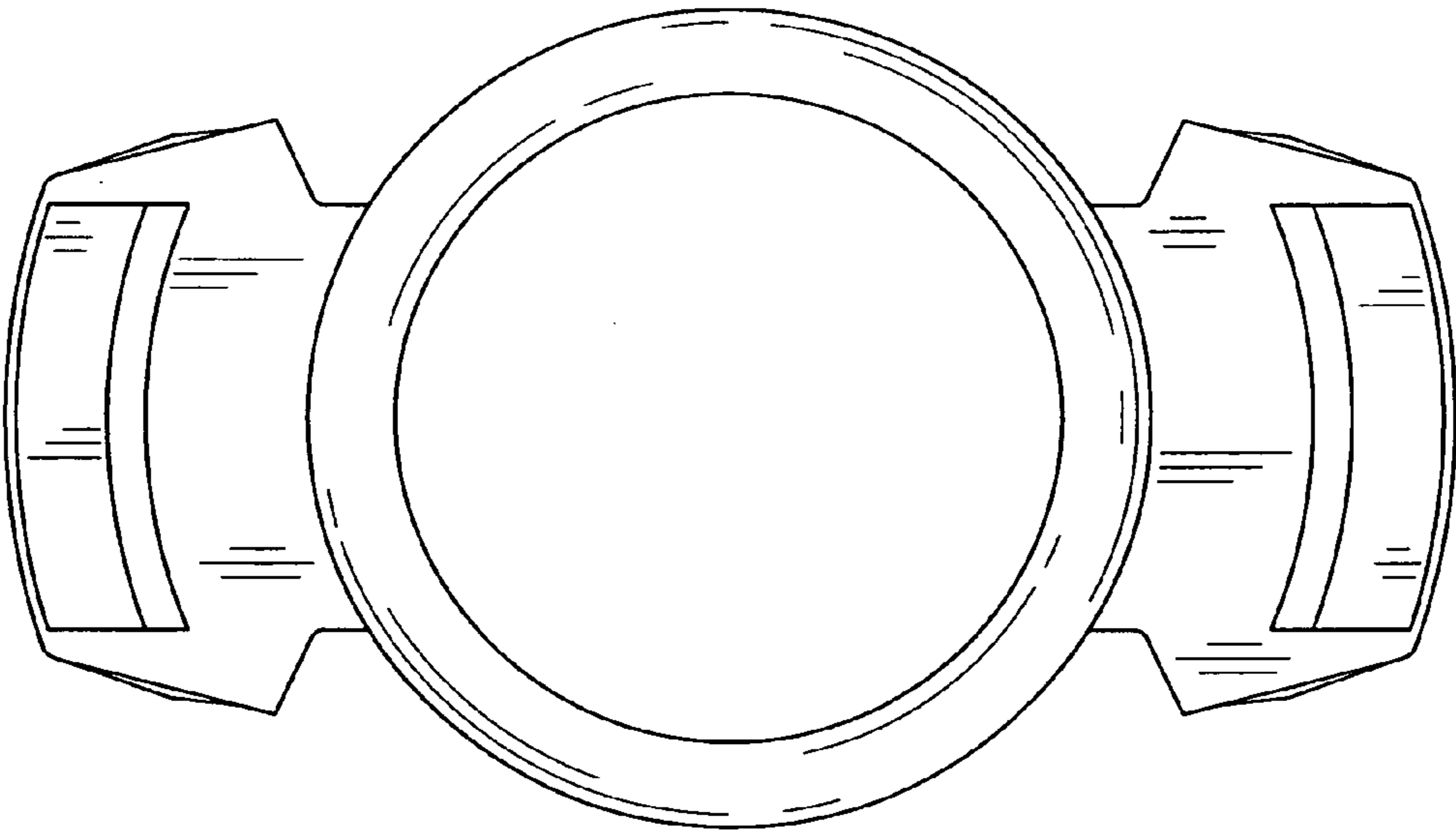


FIG. 7