



US00D651927S

(12) **United States Design Patent**
Kuo

(10) **Patent No.:** **US D651,927 S**

(45) **Date of Patent:** **** Jan. 10, 2012**

(54) **ALARM LIGHT**

(75) **Inventor:** **Tzu-Fan Kuo**, Tainan (TW)

(73) **Assignee:** **Luminous Star Technology Ltd.**,
Tainan (TW)

(**) **Term:** **14 Years**

(21) **Appl. No.:** **29/379,187**

(22) **Filed:** **Nov. 16, 2010**

(30) **Foreign Application Priority Data**

May 18, 2010 (TW) 99302460

(51) **LOC (9) Cl.** **10-05**

(52) **U.S. Cl.** **D10/114.4**

(58) **Field of Classification Search** D10/114.4;
D26/72, 76; 362/293, 362, 800; 340/815.45,
340/907

See application file for complete search history.

(56) **References Cited**

U.S. PATENT DOCUMENTS

D545,230	S	*	6/2007	Jalala	D10/114.4
D585,318	S	*	1/2009	Jalala	D10/114.4
D610,932	S	*	3/2010	Shin	D10/114.4
D627,247	S	*	11/2010	Shin	D10/114.4

* cited by examiner

Primary Examiner — George D Kirschbaum

(74) *Attorney, Agent, or Firm* — Rosenberg, Klein & Lee

(57) **CLAIM**

The ornamental design for an alarm light, as shown and described.

DESCRIPTION

FIG. 1 is a perspective view of an alarm light showing my new design;

FIG. 2 is a front elevational view thereof;

FIG. 3 is a rear elevational view thereof;

FIG. 4 is a left side elevational view thereof;

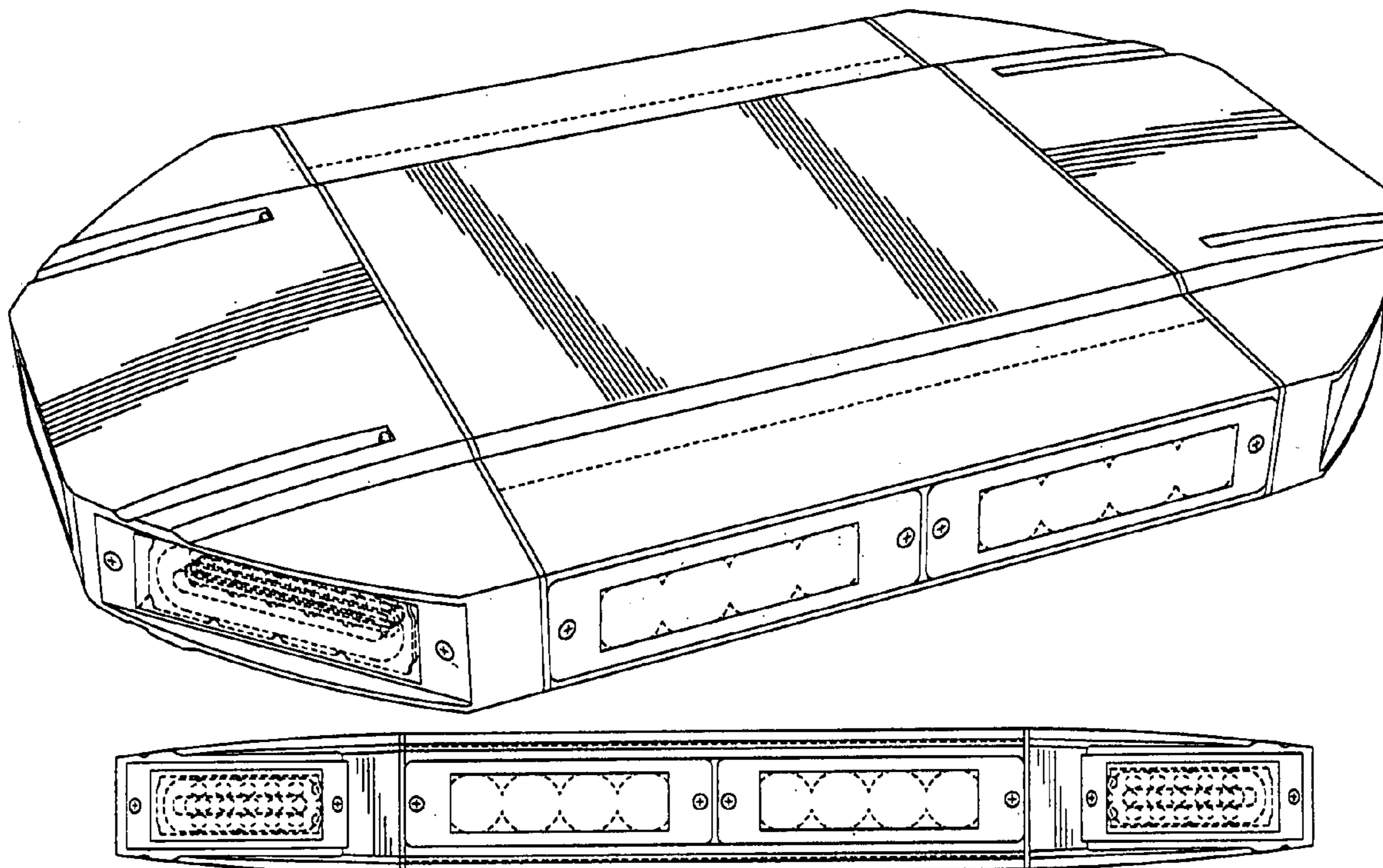
FIG. 5 is a right side elevational view thereof;

FIG. 6 is a top plan view thereof; and,

FIG. 7 is a bottom plan view thereof.

The broken line portion of the figure drawings is included to show unclaimed subject matter only and forms no part of the claimed design.

1 Claim, 7 Drawing Sheets



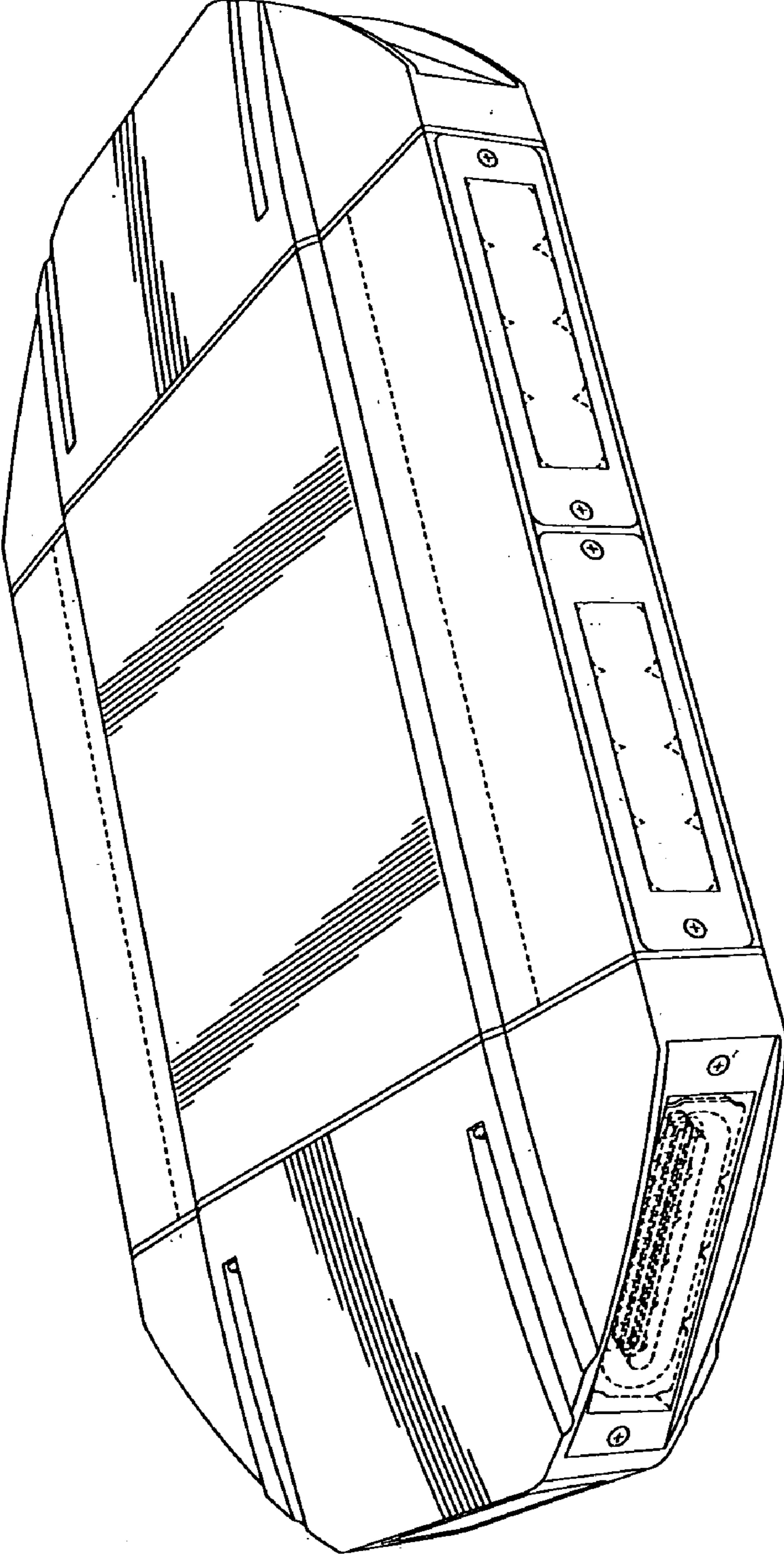


FIG . 1

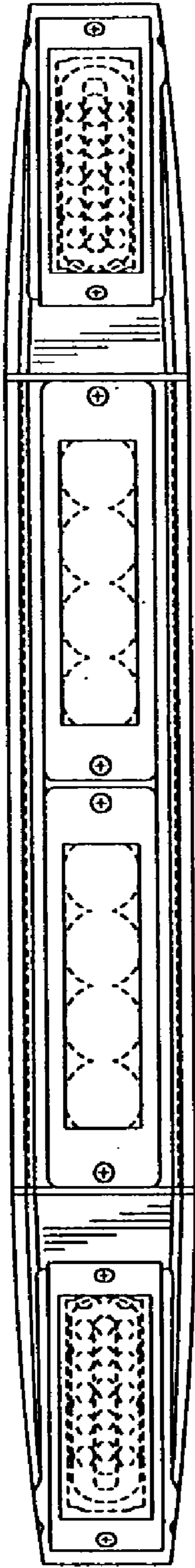


FIG . 2

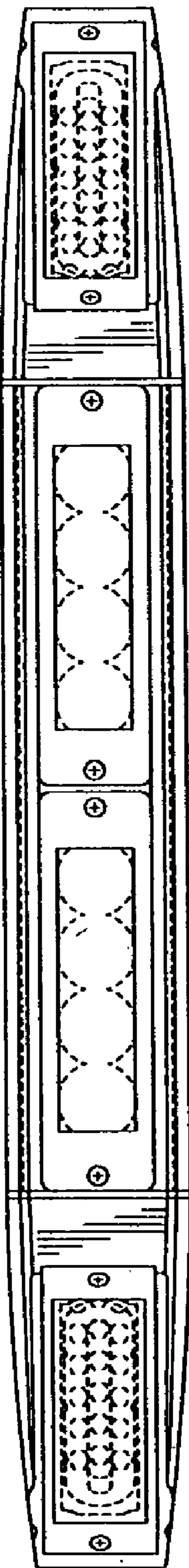


FIG . 3

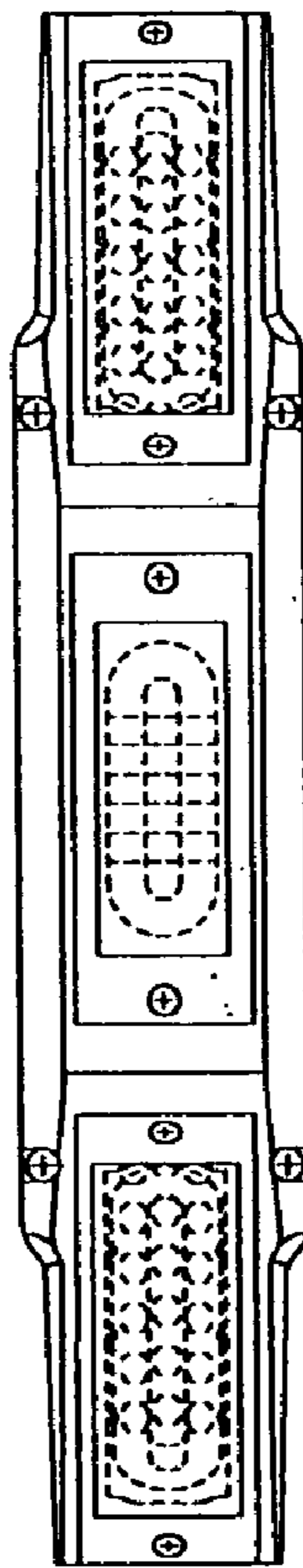


FIG . 4

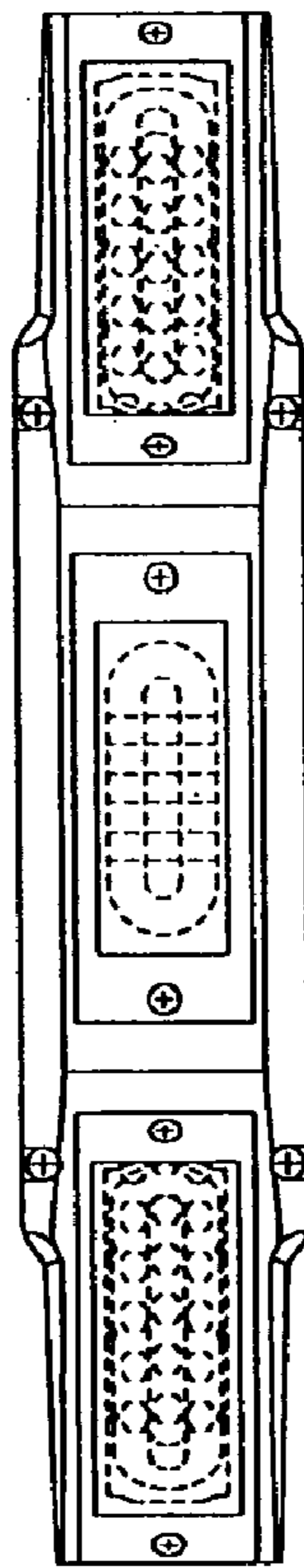


FIG . 5

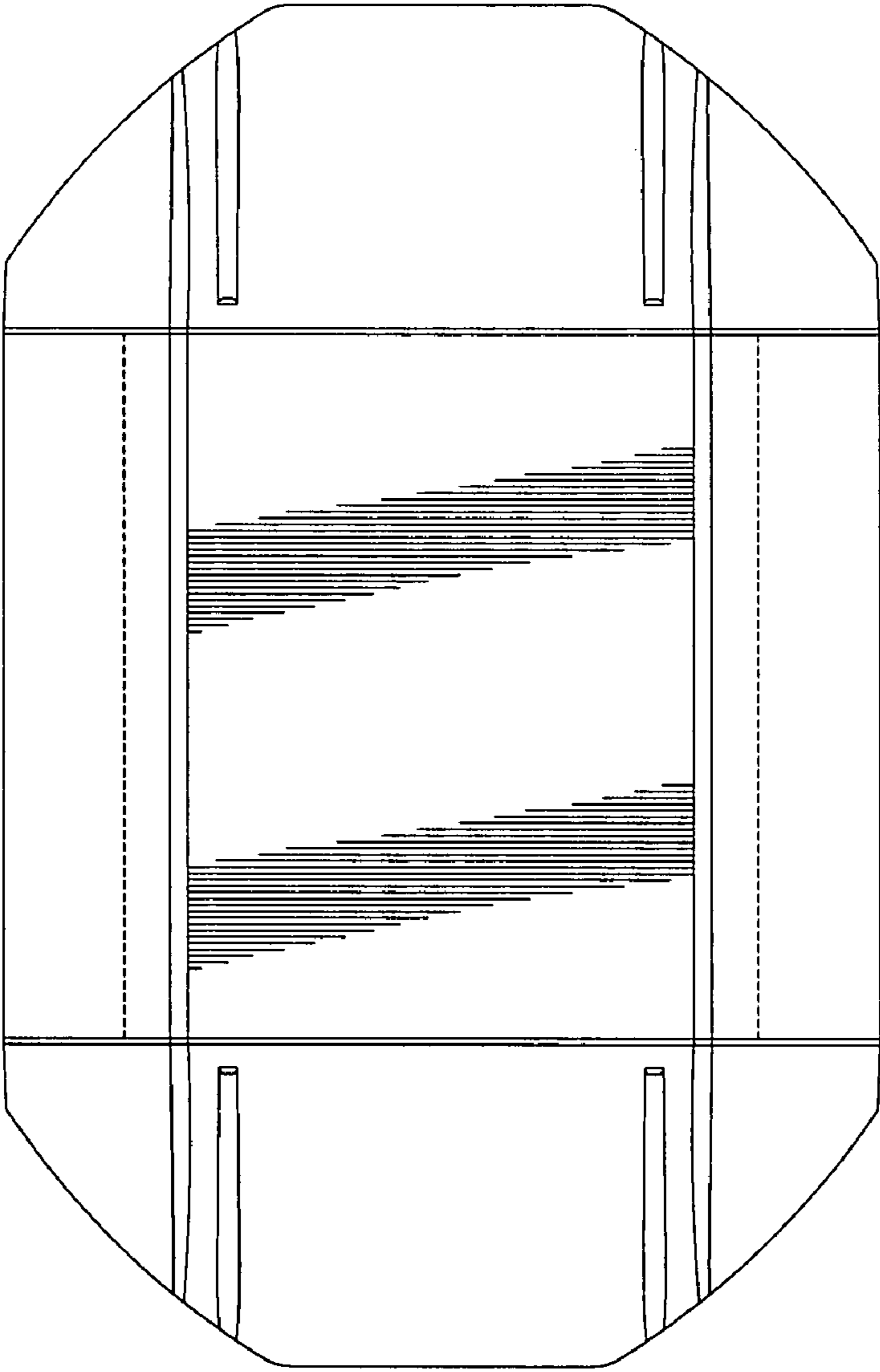


FIG . 6

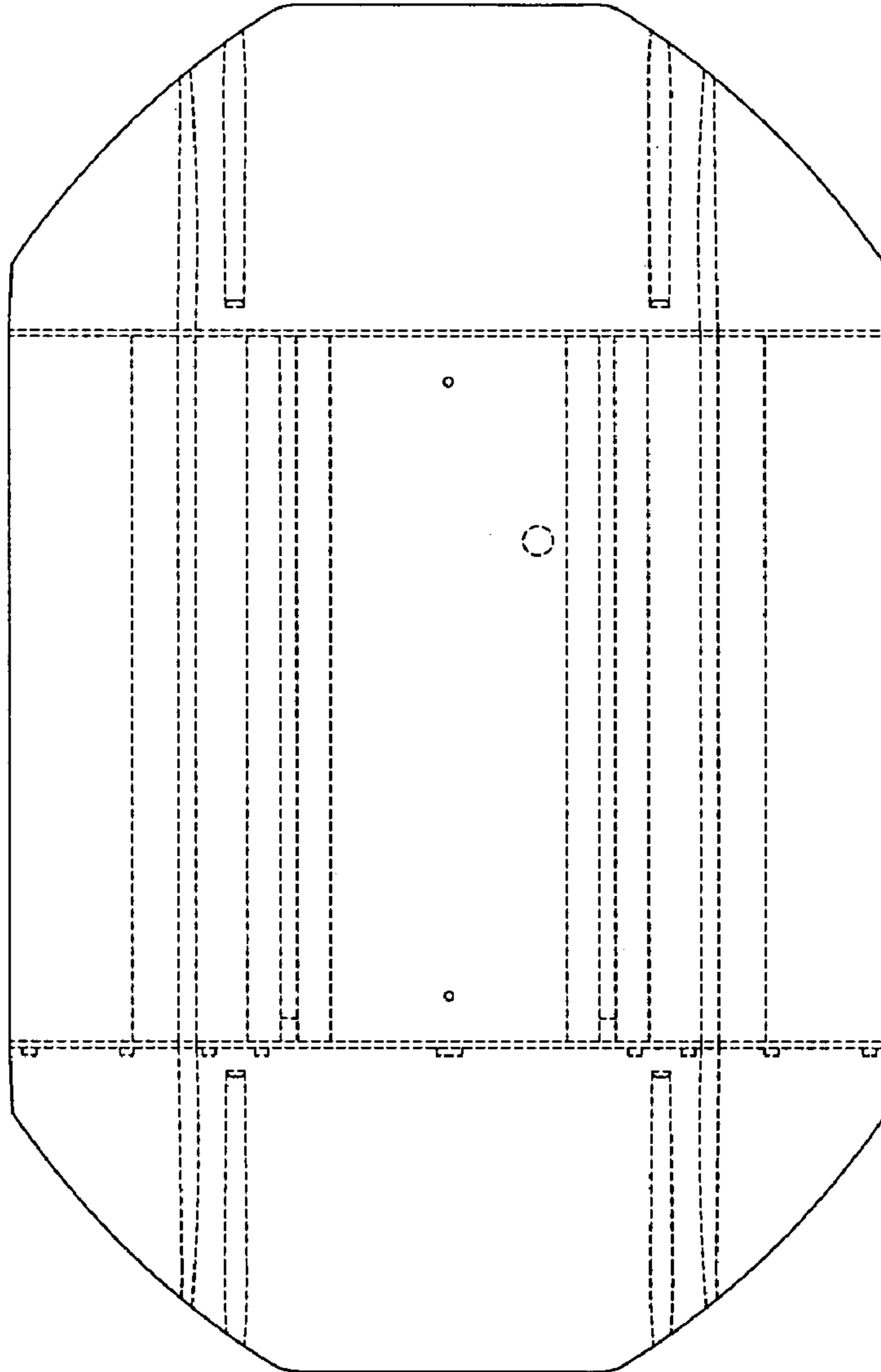


FIG . 7