



US00D651922S

(12) **United States Design Patent**
Short et al.

(10) **Patent No.:** **US D651,922 S**
(45) **Date of Patent:** **** Jan. 10, 2012**

- (54) **CONTAINER FOR CORN EARS**
- (75) Inventors: **Philip Raymond Short**, Vineland Station (CA); **Xie Fu Song**, Shantou (CN)
- (73) Assignee: **Vortex Packaging Niagara, Inc.**, Vineland Station (CA)
- (**) Term: **14 Years**
- (21) Appl. No.: **29/389,519**
- (22) Filed: **Apr. 12, 2011**
- (51) **LOC (9) Cl.** **09-03**
- (52) **U.S. Cl.** **D9/756; D9/761; D9/737**
- (58) **Field of Classification Search** D9/420-426, D9/432, 414, 428, 761, 737, 418, 756; D7/629, D7/602; D3/273, 294, 20, 203.3, 206, 276, D3/282, 284, 293, 295-298, 302, 315, 901, D3/903, 905; 229/902, 904, 406, 407, 903; 426/106; 220/781-794, 674, 675, 4.21-4.24, 220/555, 556, 810, 836, 837, 841, 366.1, 220/367; 206/508, 216, 541, 6.1, 214, 575, 206/579; D6/6.1, 214, 575, 579
See application file for complete search history.

- D578,388 S * 10/2008 Lymn et al. D9/757
- D583,659 S * 12/2008 Lyon et al. D9/761
- D592,049 S * 5/2009 Doliwa et al. D9/425
- D592,076 S * 5/2009 Sipe et al. D9/756
- D592,077 S * 5/2009 Sipe et al. D9/756
- D610,448 S * 2/2010 Drozek et al. D9/424
- D615,859 S * 5/2010 Barbier D9/425
- D628,478 S * 12/2010 Snedden et al. D9/431
- D631,339 S * 1/2011 Golota et al. D9/425

* cited by examiner

Primary Examiner — Mark Goodwin

(74) *Attorney, Agent, or Firm* — Steven M. Greenberg, Esq.; Carey, Rodriguez, Greenberg & O’Keefe, LLP

(57) **CLAIM**

The ornamental design for a container for corn ears, as shown and described.

DESCRIPTION

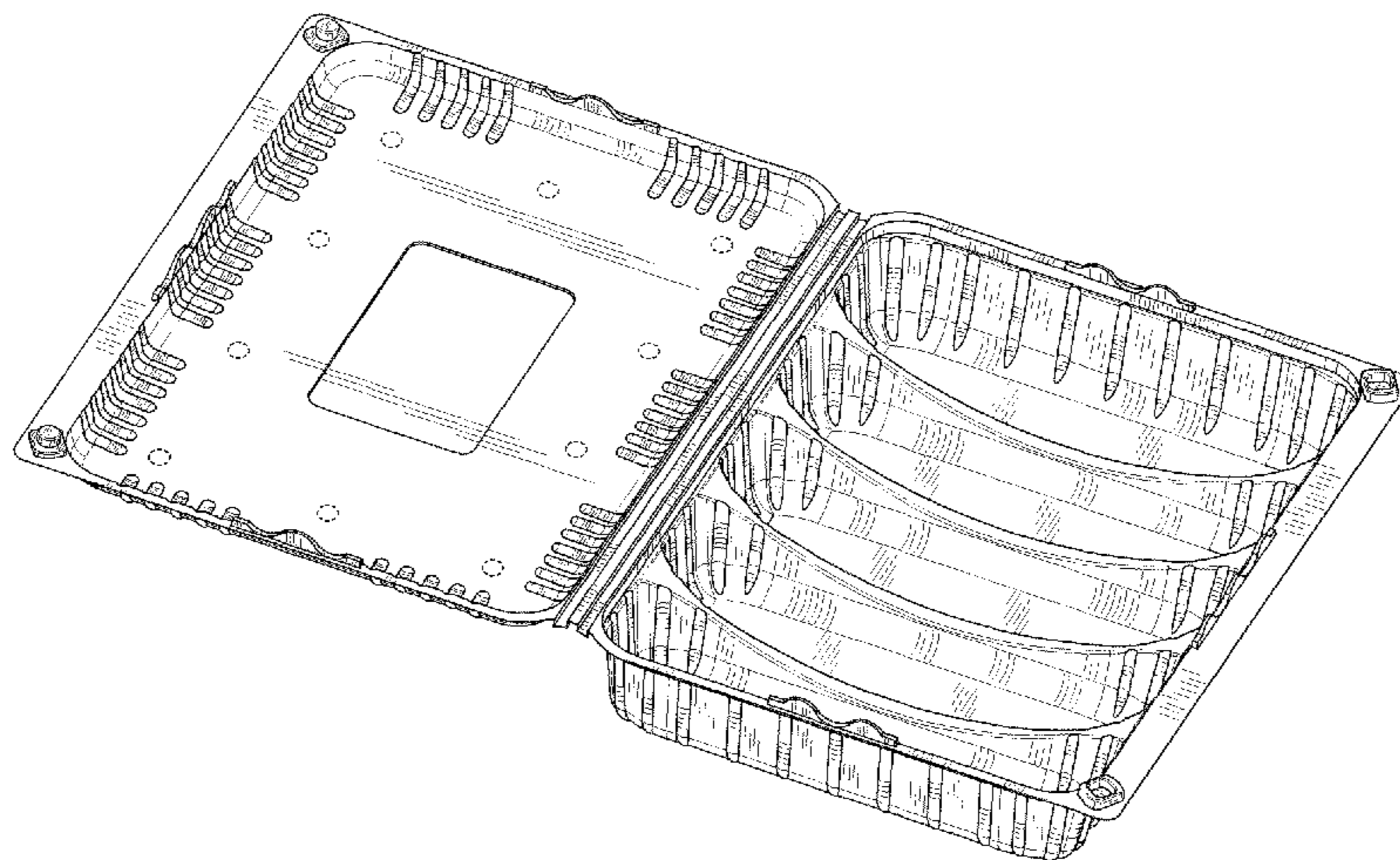
FIG. 1 is a top front perspective view of a container for corn ears according to our new design.
 FIG. 2 is a rear bottom perspective view of the container for corn ears of FIG. 1.
 FIG. 3 is a left side view of the container for corn ears of FIG. 1.
 FIG. 4 is a front view of the container for corn ears of FIG. 1.
 FIG. 5 is a right side view of the container for corn ears of FIG. 1.
 FIG. 6 is a rear view of the container for corn ears of FIG. 1.
 FIG. 7 is a top view of the container for corn ears of FIG. 1; and,
 FIG. 8 is a bottom view of the container for corn ears of FIG. 1.
 This design is directed to a container for corn ears. The broken lines are for illustrative purposes only and form no part of the claimed design.

1 Claim, 6 Drawing Sheets

(56) **References Cited**

U.S. PATENT DOCUMENTS

- D125,467 S * 2/1941 De Reamer D9/757
- 5,456,379 A * 10/1995 Krupa et al. 220/835
- D363,879 S * 11/1995 Krupa et al. D9/423
- D394,985 S * 6/1998 Curtis et al. D7/538
- D428,332 S * 7/2000 Knutson D9/756
- D475,919 S * 6/2003 Choffez D9/432
- D507,756 S * 7/2005 Hall D9/761
- D514,452 S * 2/2006 Enriquez D9/759
- D558,045 S * 12/2007 Templeton D9/420
- D577,578 S * 9/2008 Lymn et al. D9/761



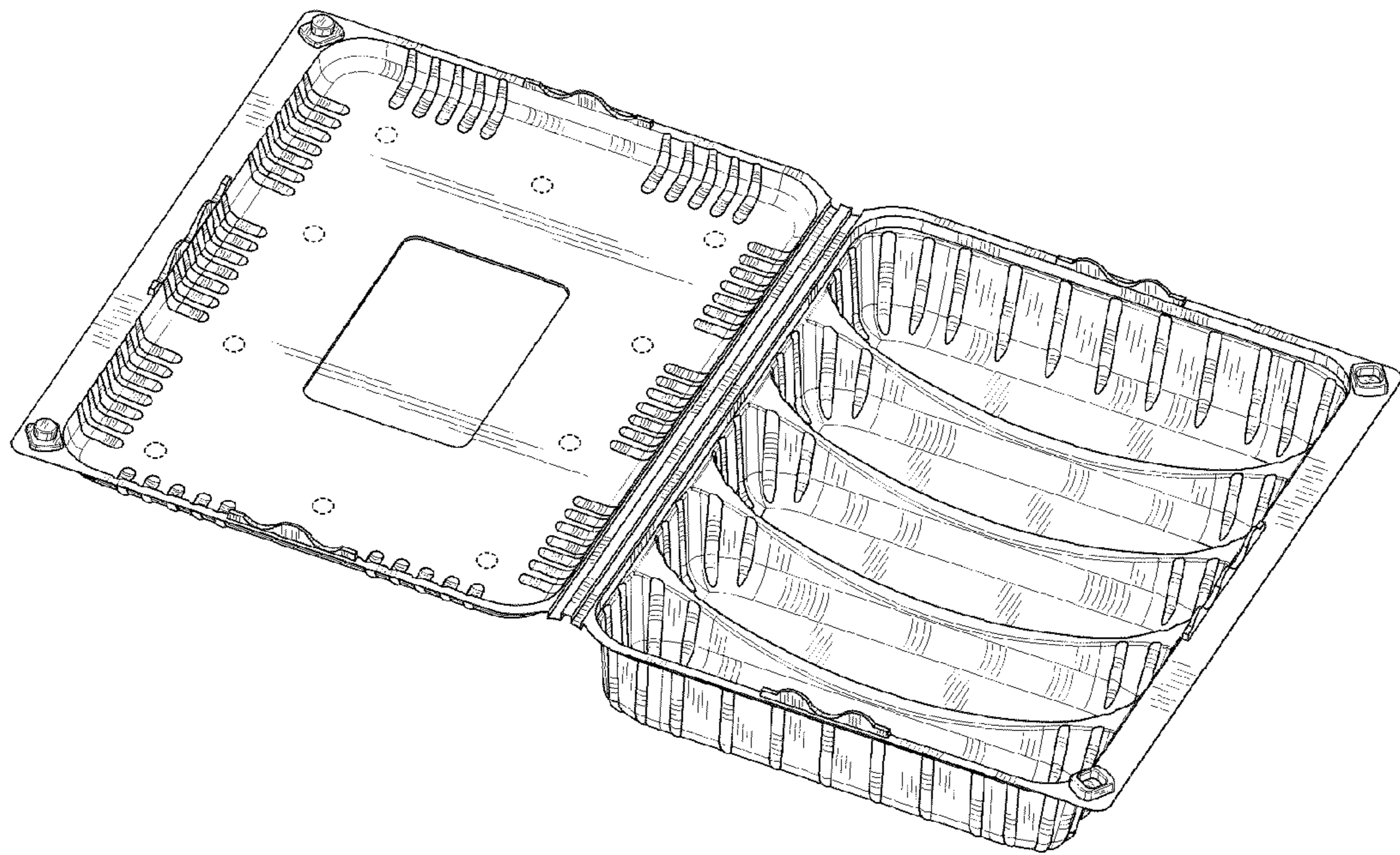


FIG. 1

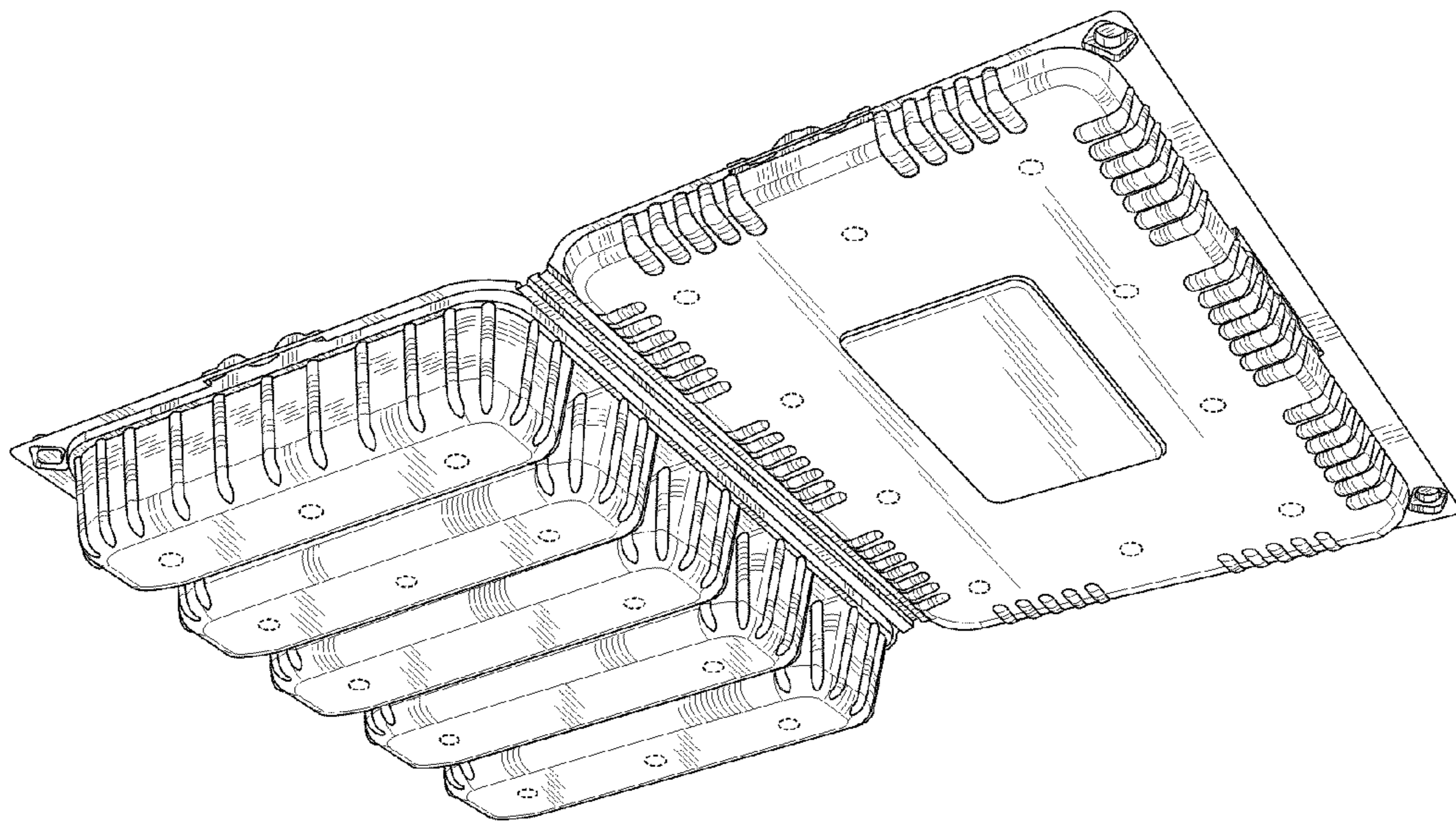


FIG. 2

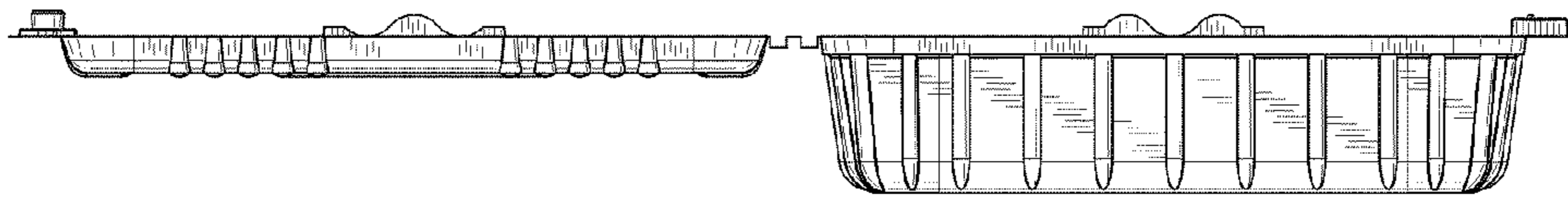


FIG. 3

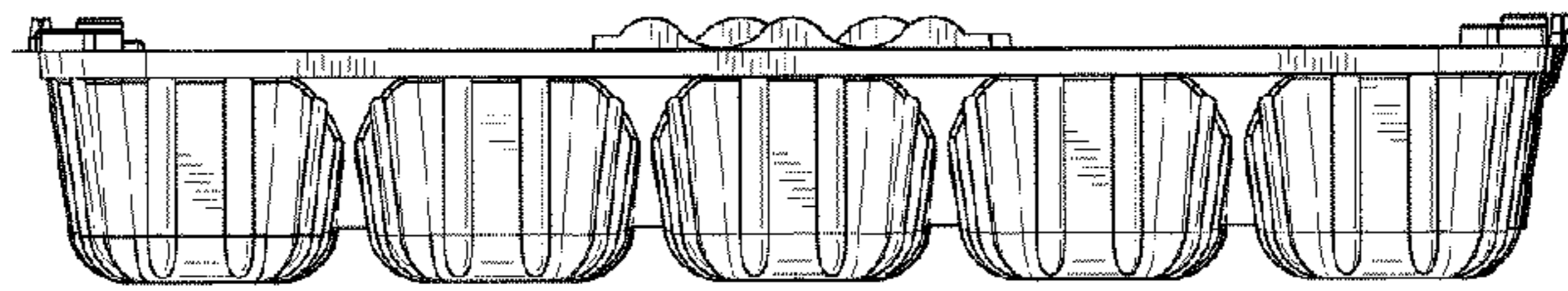


FIG. 4

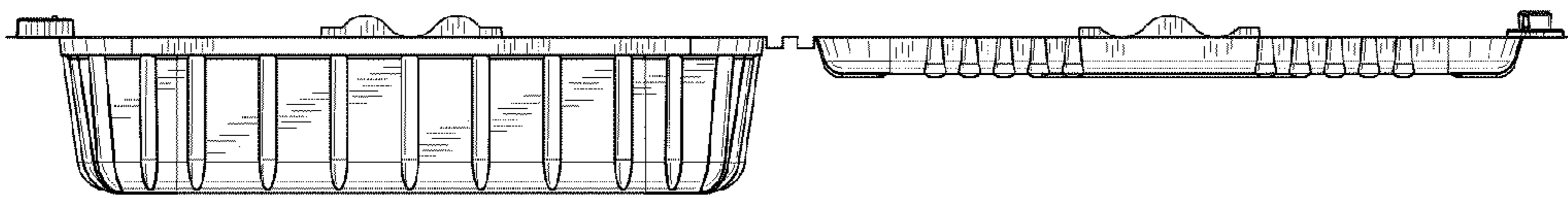


FIG. 5

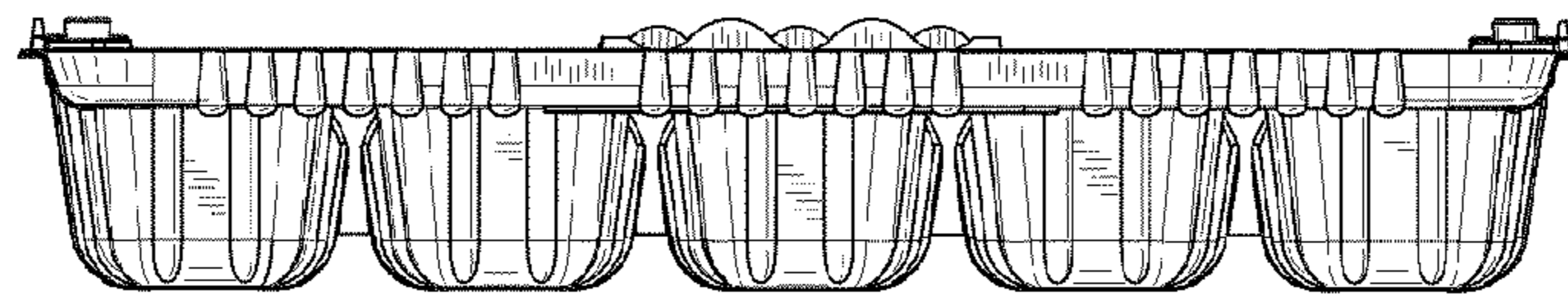


FIG. 6

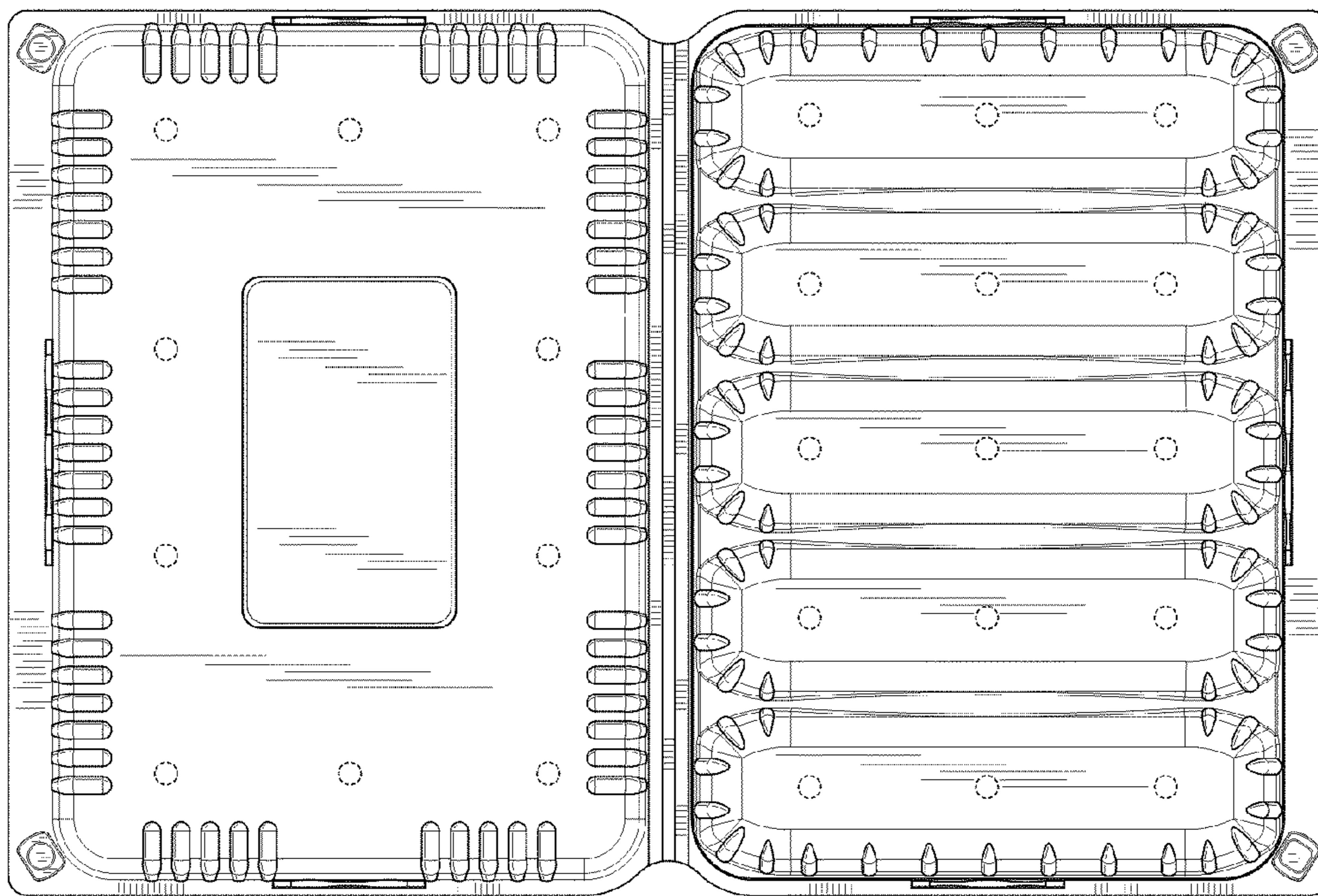


FIG. 7

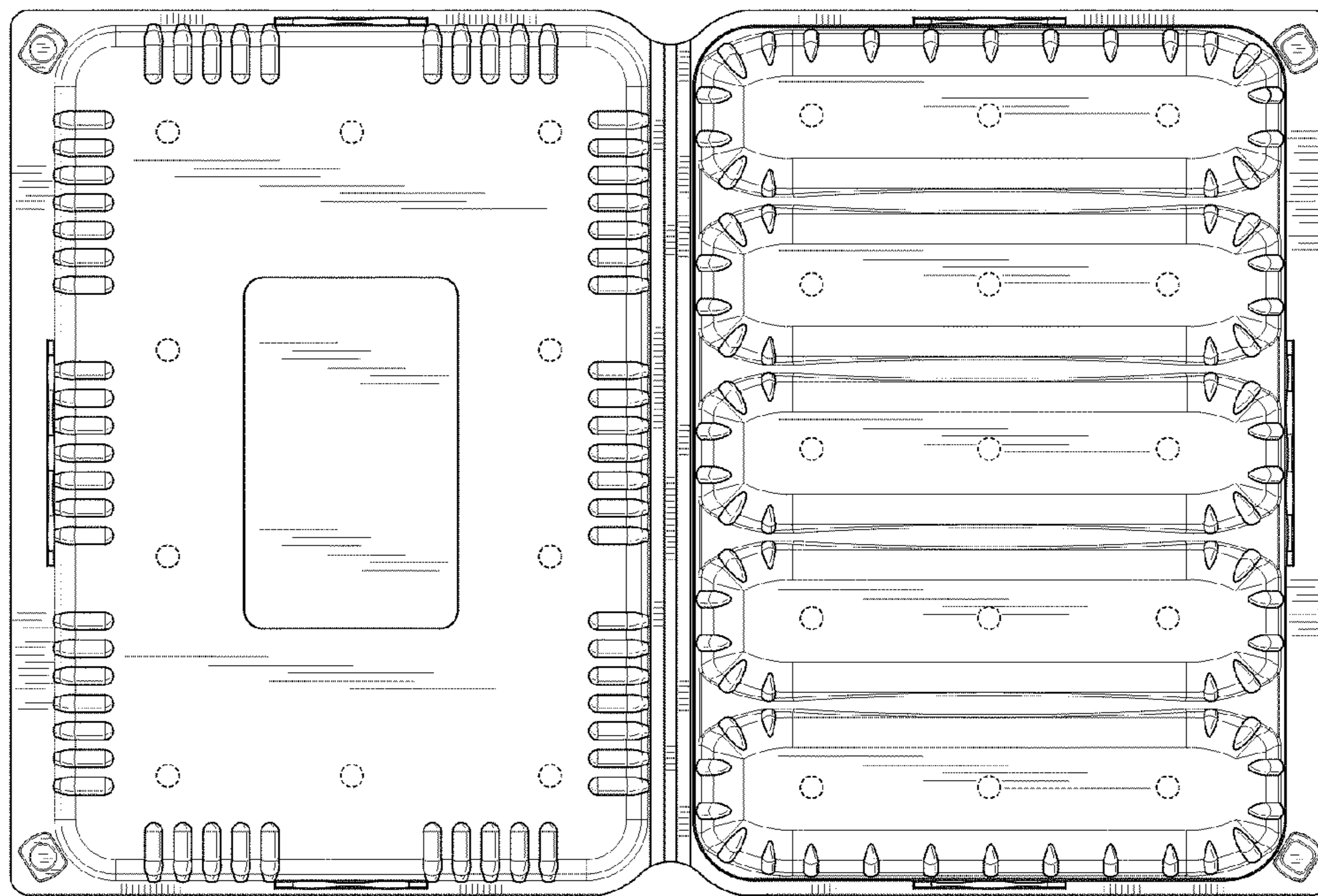


FIG. 8