



US00D651918S

(12) **United States Design Patent**
Daniels et al.

(10) **Patent No.:** **US D651,918 S**
(45) **Date of Patent:** **** Jan. 10, 2012**

(54) **DISPENSING BOTTLE**

(75) Inventors: **Jacqueline Ann Daniels**, Hamilton, OH (US); **Yamilca Del Carmen Rodriguez**, Cincinnati, OH (US); **Norman Henry Tiilikka**, West Chester, OH (US); **Brian Joseph Sullivan**, Milford, OH (US)

(73) Assignee: **The Procter & Gamble Company**, Cincinnati, OH (US)

(**) Term: **14 Years**

(21) Appl. No.: **29/355,463**

(22) Filed: **Feb. 8, 2010**

(51) **LOC (9) Cl.** **09-01**

(52) **U.S. Cl.** **D9/691**

(58) **Field of Classification Search** D9/682-694,
D9/500-505, 516-575, 434-436, 447-450;
D28/76, 77, 85-90, 91.1; 222/129, 135,
222/153.01, 153.03, 153.04, 153.09, 153.11-153.14,
222/182, 631, 635, 209, 211-213, 215, 321.7-321.9,
222/372, 373, 378, 379, 383.1, 384-386,
222/398, 400.7, 400.8, 401, 402.1-402.25;
215/379, 382, 383, 384; 220/662, 665, 669,
220/674, 675

See application file for complete search history.

(56) **References Cited**

U.S. PATENT DOCUMENTS

D92,160 S 5/1934 Brown
D177,420 S 4/1956 Lipman

(Continued)

FOREIGN PATENT DOCUMENTS

CN 3262365 * 11/2002

(Continued)

OTHER PUBLICATIONS

Coco Chanel Twist and Spray Eau de Toilette and packaging material; Sep. 2006, www.gnpd.com, 3 pages.

Chanel Chance Twist and Spray and packaging material, Nov. 2004, www.gnpd.com, 1 page.

Primary Examiner — Catherine Tuttle

(74) *Attorney, Agent, or Firm* — Eric T. Addington; S. Robert Chuey; James C. Vago

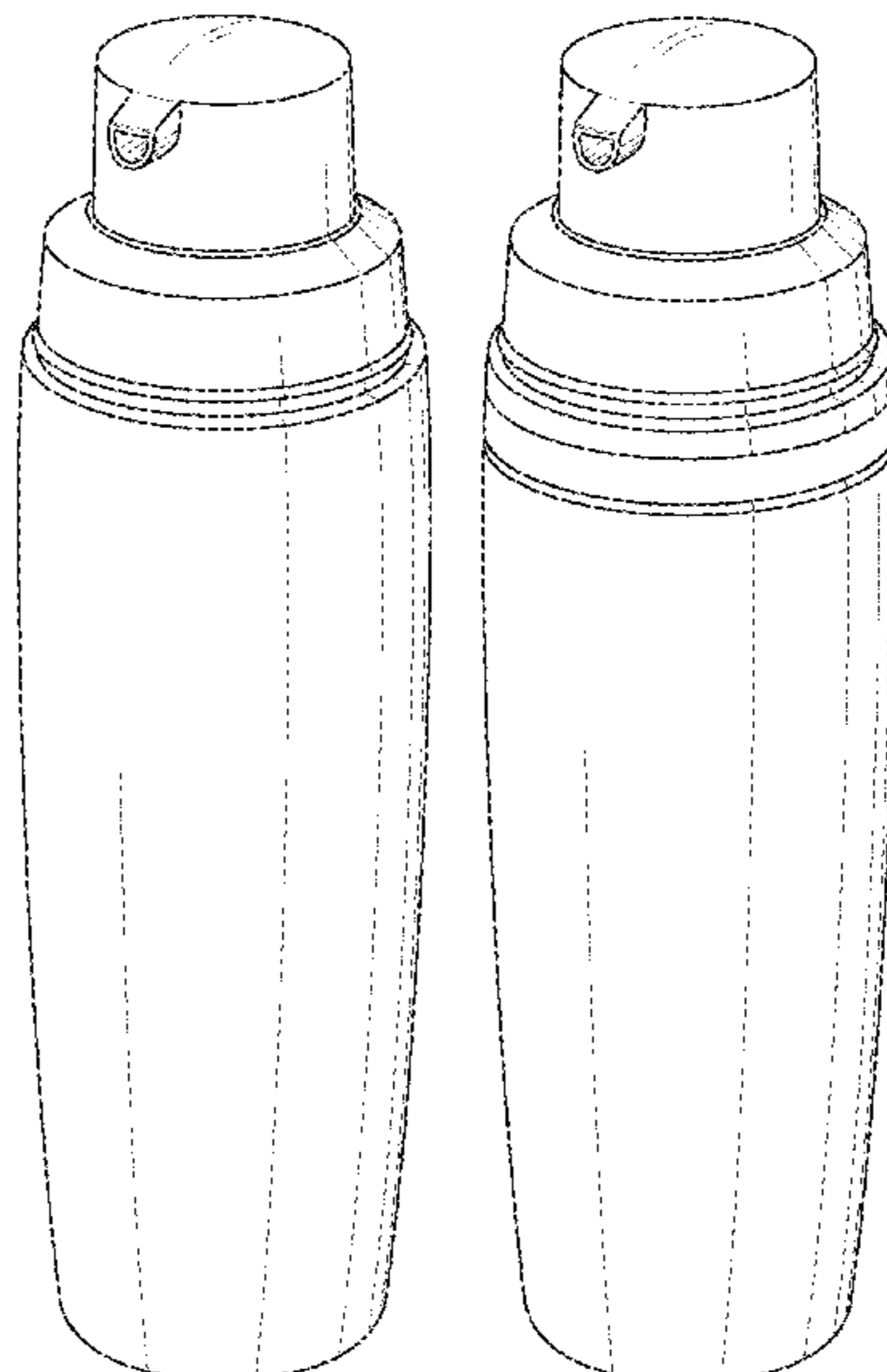
(57) **CLAIM**

The ornamental design for a dispensing bottle, as shown and described.

DESCRIPTION

FIG. 1 is a perspective view of the dispensing bottle showing an embodiment of the new design, FIG. 2 is front elevation view of FIG. 1, FIG. 3 is a rear elevation view of FIG. 1, FIG. 4 is a side elevation view of FIG. 1, wherein the other side view is a mirror image, FIG. 5 is a top plan view of FIG. 1, and FIG. 6 is a bottom plan view of FIG. 1; FIG. 7 is a perspective view of the dispensing bottle showing a second embodiment of the new design; FIG. 8 is front elevation view of FIG. 7, FIG. 9 is a rear elevation view of FIG. 7, FIG. 10 is a side elevation view of FIG. 7, wherein the other side view is a mirror image, FIG. 11 is a top plan view of FIG. 7; and FIG. 12 is a bottom plan view of FIG. 7; FIG. 13 is a perspective view of the dispensing bottle showing a third embodiment of the new design including a surface contrast shown by the stippling; FIG. 14 is front elevation view of FIG. 13, FIG. 15 is a rear elevation view of FIG. 13, FIG. 16 is a side elevation view of FIG. 13, wherein the other side view is a mirror image, FIG. 17 is a top plan view of FIG. 13; and, FIG. 18 is a bottom plan view of FIG. 13. The appearance within the unshaded central region of FIGS. 6, 12, and 18 form no part of the claimed design.

1 Claim, 12 Drawing Sheets



US D651,918 S

Page 2

U.S. PATENT DOCUMENTS

D190,784 S 6/1961 Kruck
D191,487 S 10/1961 Sagarin et al.
3,178,071 A 4/1965 Gentoso
D215,698 S 10/1969 Jordan et al.
D218,553 S 9/1970 Nigro
D219,333 S 12/1970 Doblin
3,608,791 A 9/1971 Jordan et al.
D255,549 S 6/1980 Kirk
D320,676 S 10/1991 Silverman
5,052,592 A * 10/1991 Wilken et al. 222/212
5,085,350 A * 2/1992 Sugita 222/260
D328,025 S 7/1992 Farricielli
D329,983 S * 10/1992 Griffin et al. D9/504
D334,711 S 4/1993 Ekuan
D345,630 S 3/1994 Chevassus
D365,759 S 1/1996 Otani et al.
D365,889 S * 1/1996 Kim D27/147
D400,783 S * 11/1998 de Mourgues D9/691
D405,358 S 2/1999 Dapsanse
D413,793 S * 9/1999 Favre D9/692
5,950,880 A * 9/1999 Garcia 222/321.7
D415,413 S 10/1999 Cummings
D422,902 S * 4/2000 Kikuchi D9/689
D459,211 S 6/2002 McGuinness
D469,008 S 1/2003 Helmlinger

D472,152 S * 3/2003 Joubert D9/529
D554,505 S * 11/2007 Gilbert D9/503
D555,000 S 11/2007 Bunce et al.
D570,707 S 6/2008 Blasko et al.
D581,270 S 11/2008 Gonzalez et al.
D584,638 S 1/2009 Castelnuovo-Tedesco
D608,655 S * 1/2010 Brewer et al. D9/689
7,726,518 B2 * 6/2010 Brouwer 222/145.6
2010/0187262 A1 * 7/2010 Archeny et al. 222/210

FOREIGN PATENT DOCUMENTS

CN 301095925 * 12/2009
EM 000312301-0001 5/2005
EM 000644059-001 1/2007
EM 00983069-0003 8/2008
GB DES. 2031455 6/1994
KR 300440164.0000 * 2/2007
KR 300446432.0000 * 4/2007
KR 300446432.0001 * 4/2007
KR 300485771.0000 * 4/2008
KR 300522228.0003 * 3/2009
WO D017230-001 * 9/1990
WO DM/057378 9/2001
WO DM/064600 11/2003

* cited by examiner

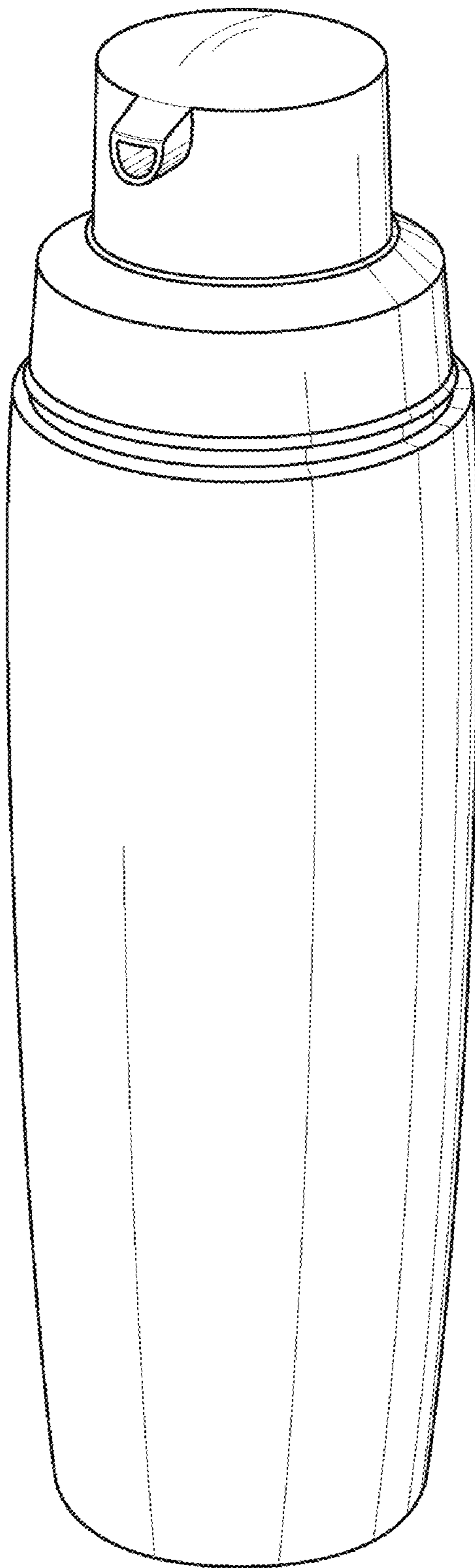


Fig. 1

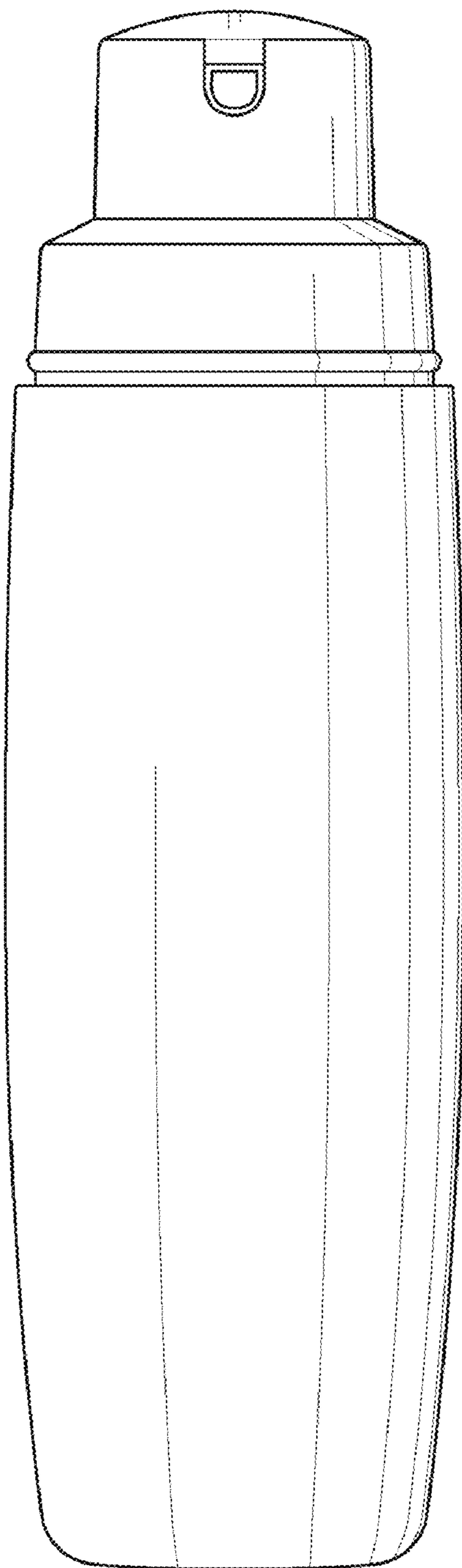


Fig. 2

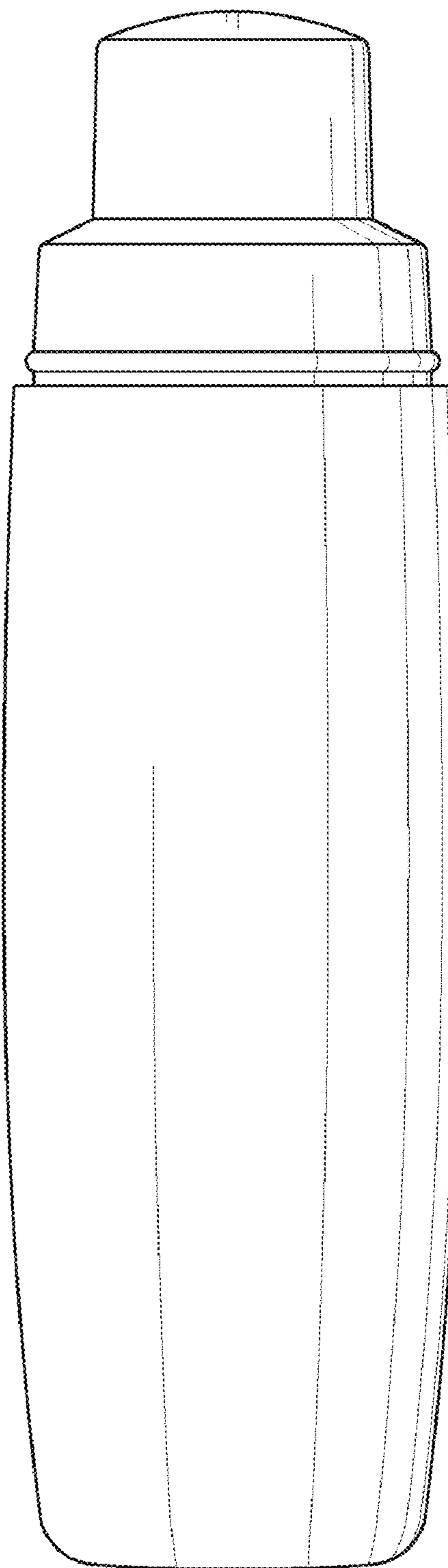


Fig. 3

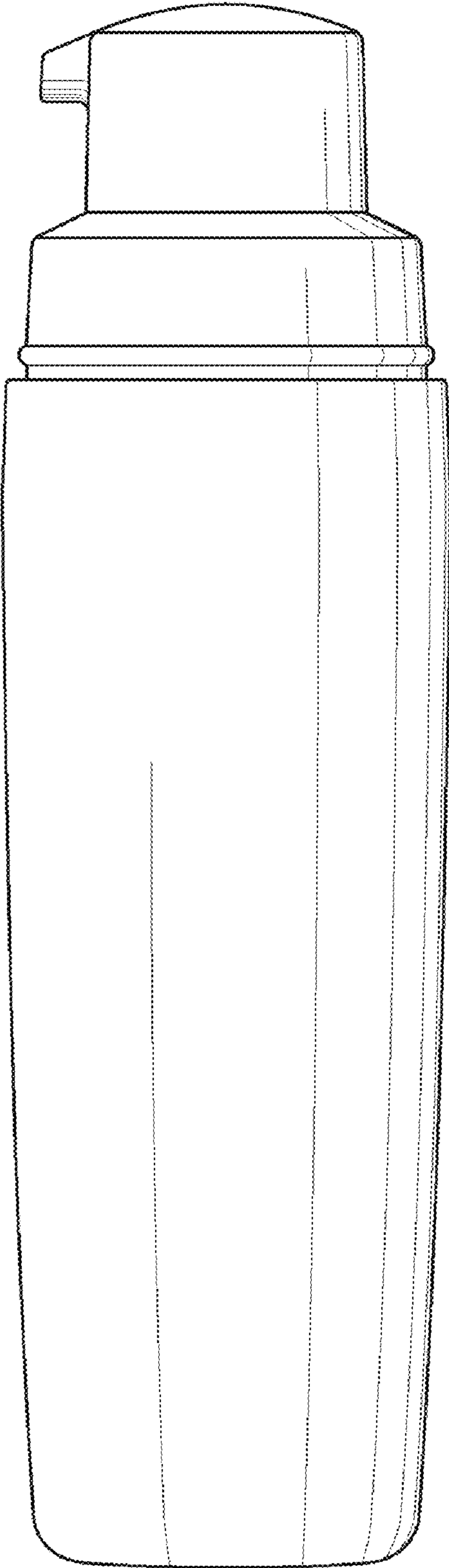


Fig. 4

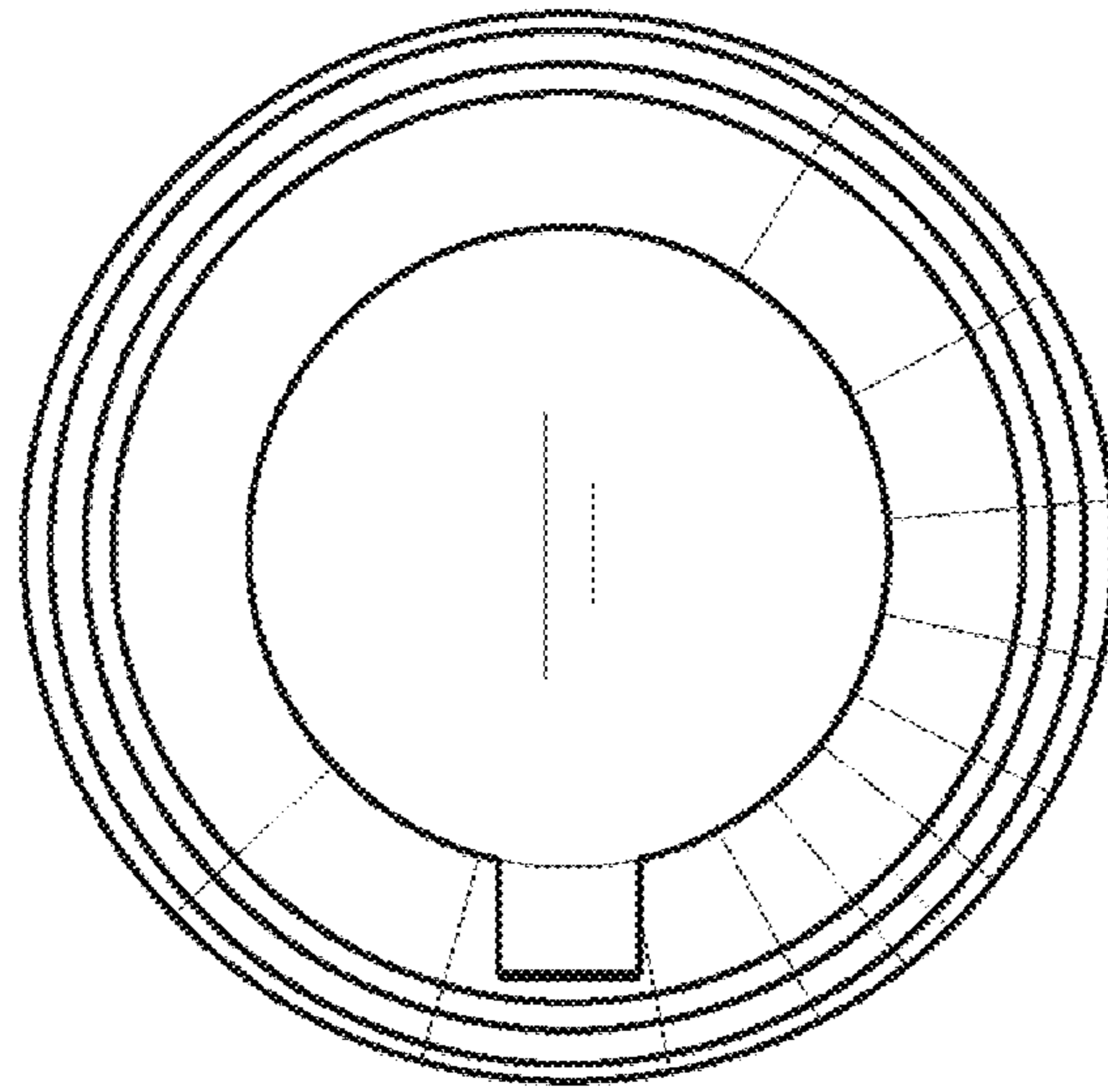


Fig. 5

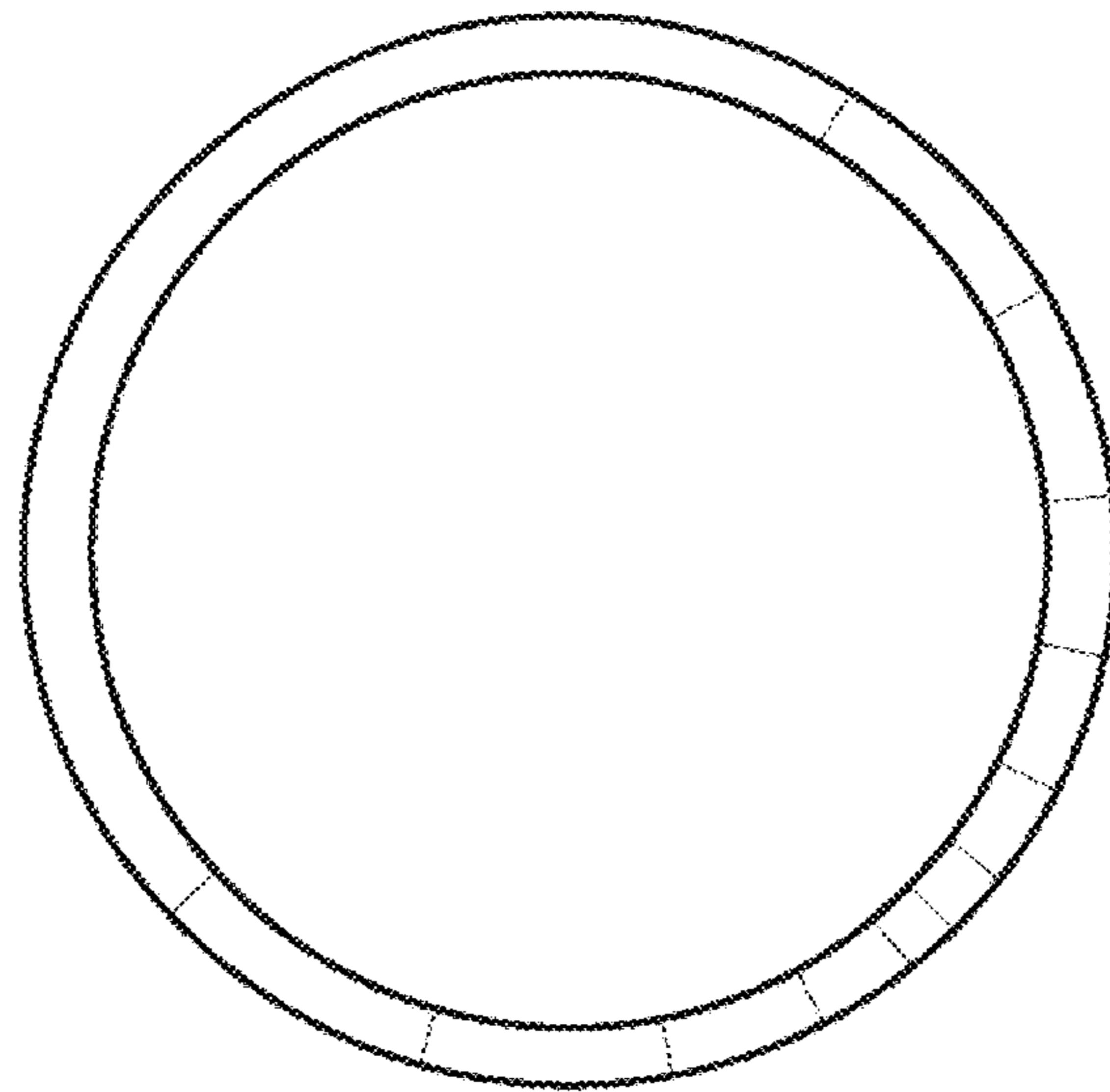


Fig. 6

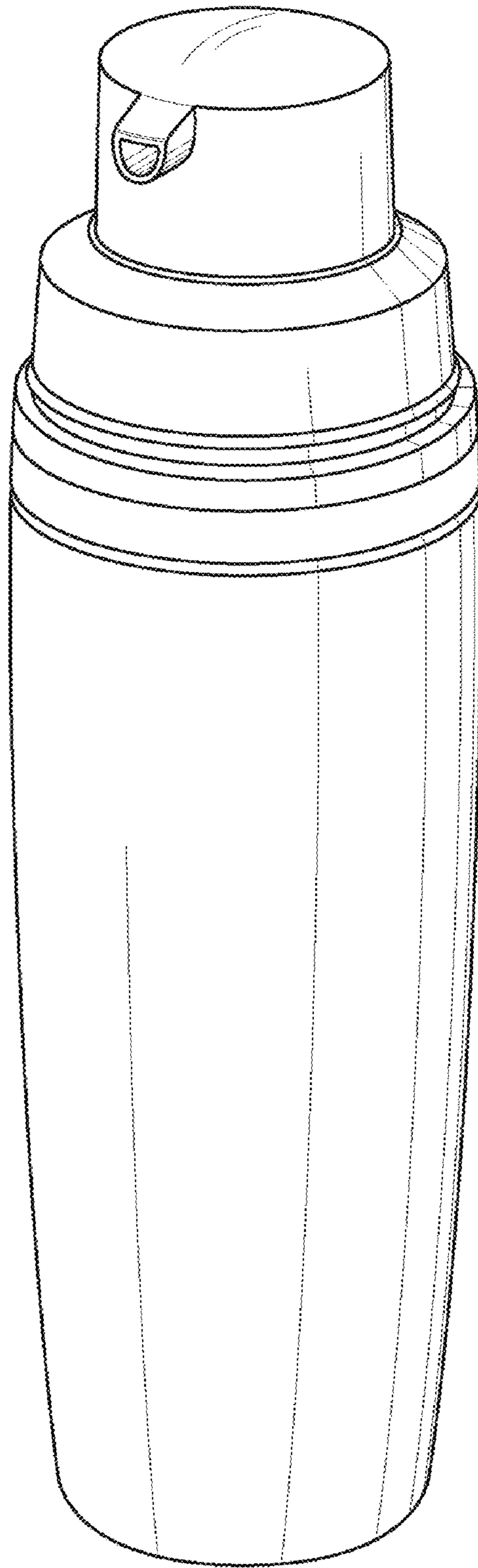


Fig. 7

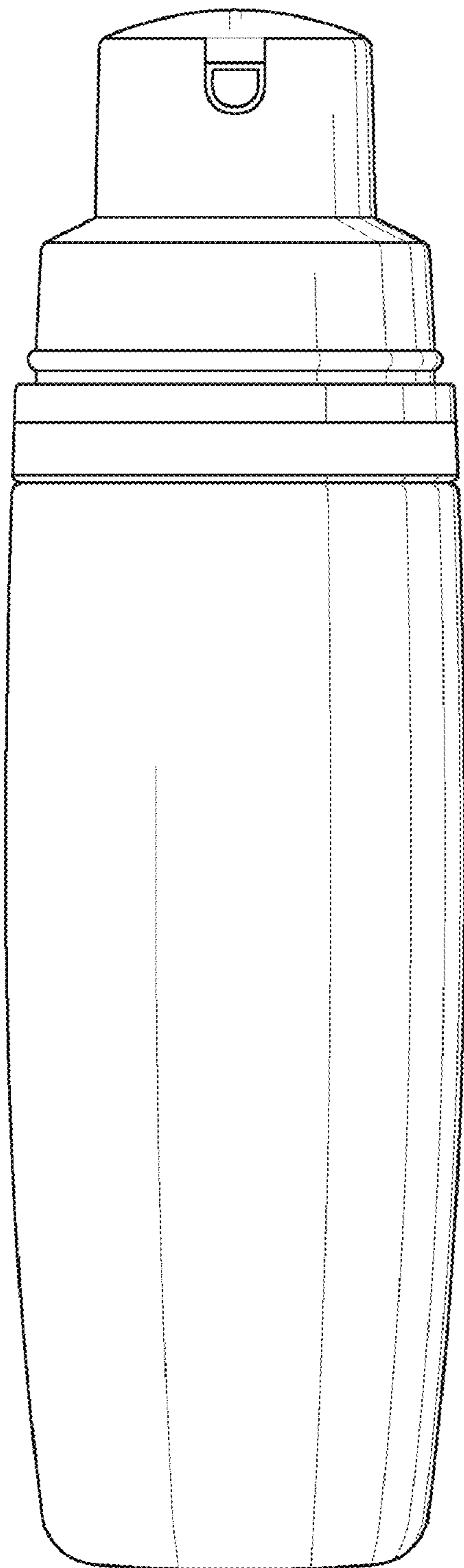


Fig. 8

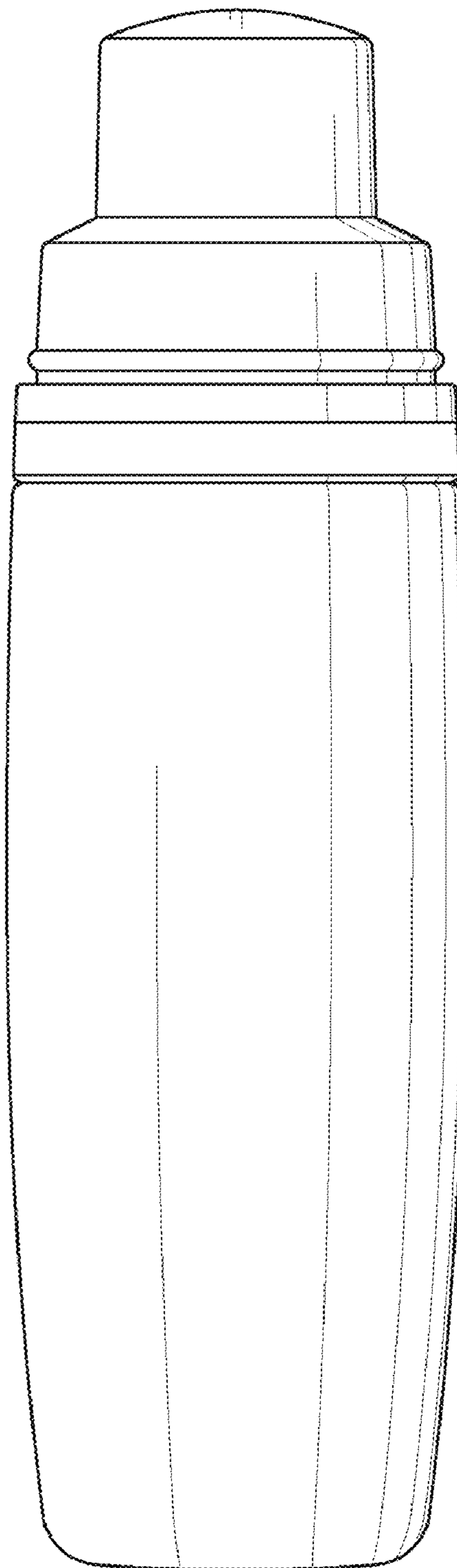


Fig. 9

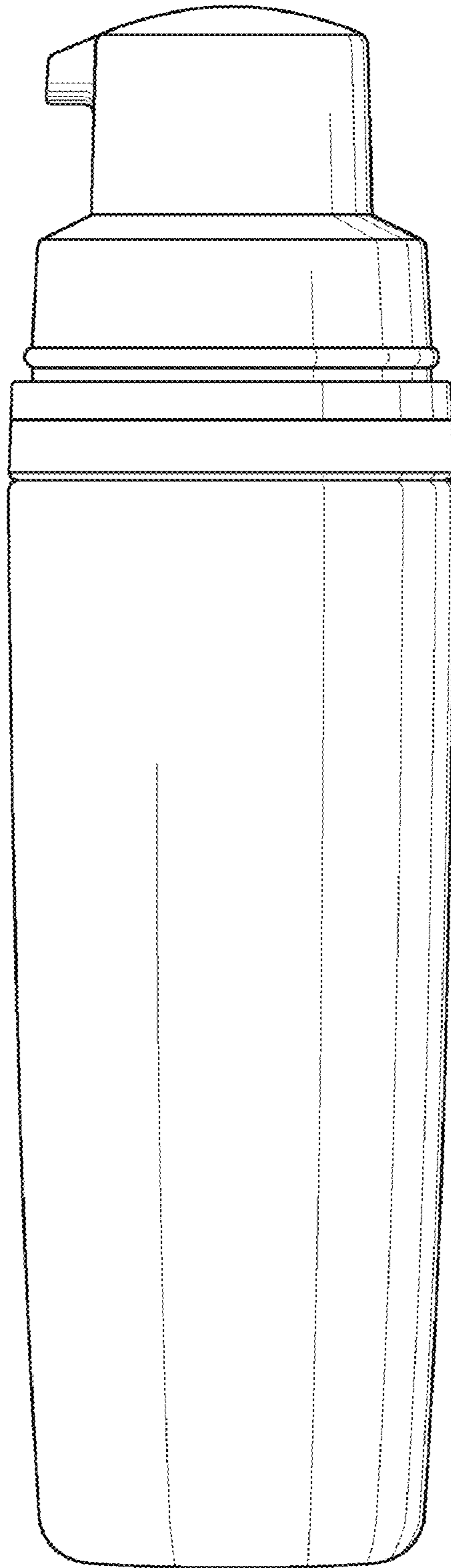


Fig. 10

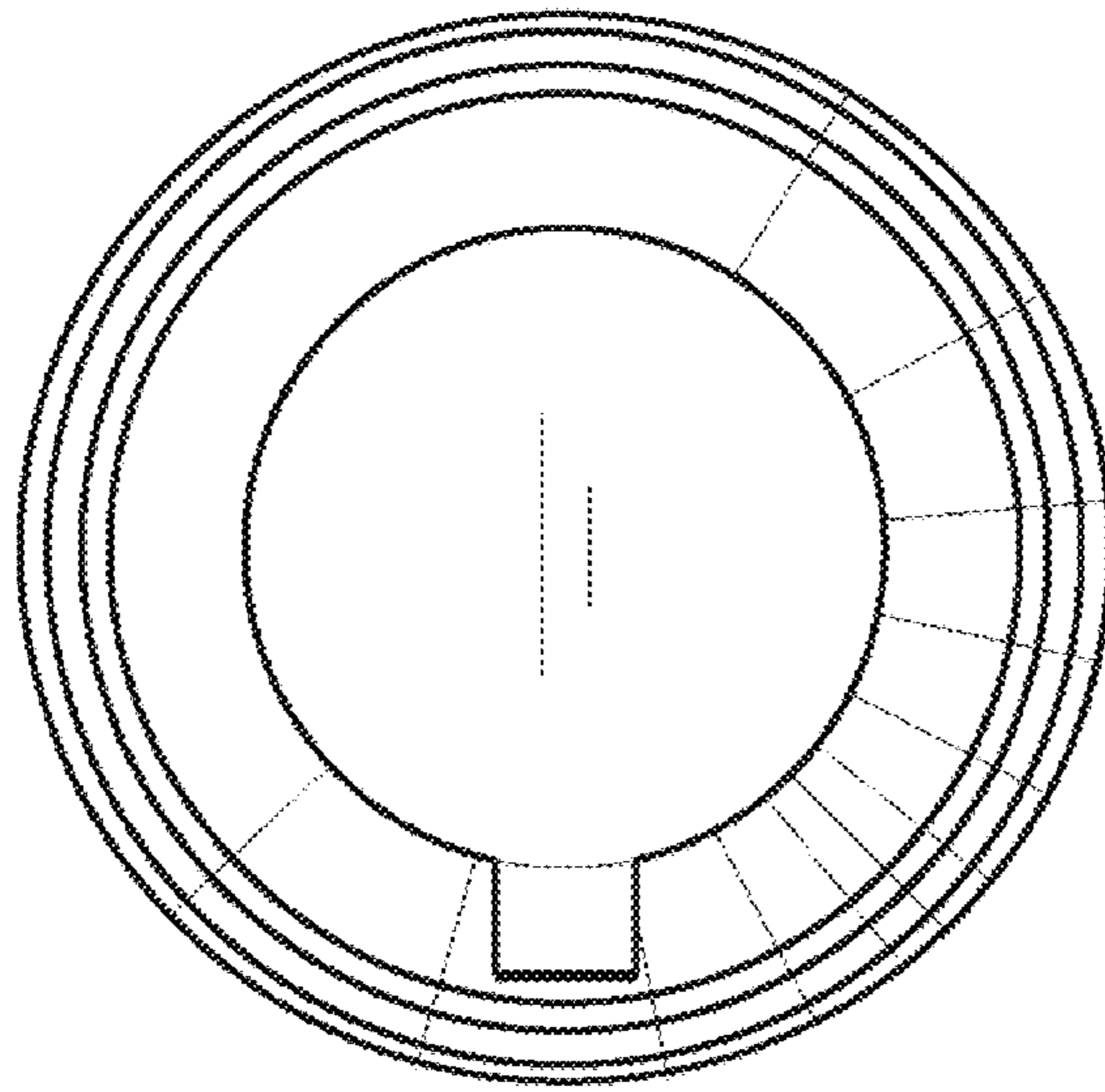


Fig. 11

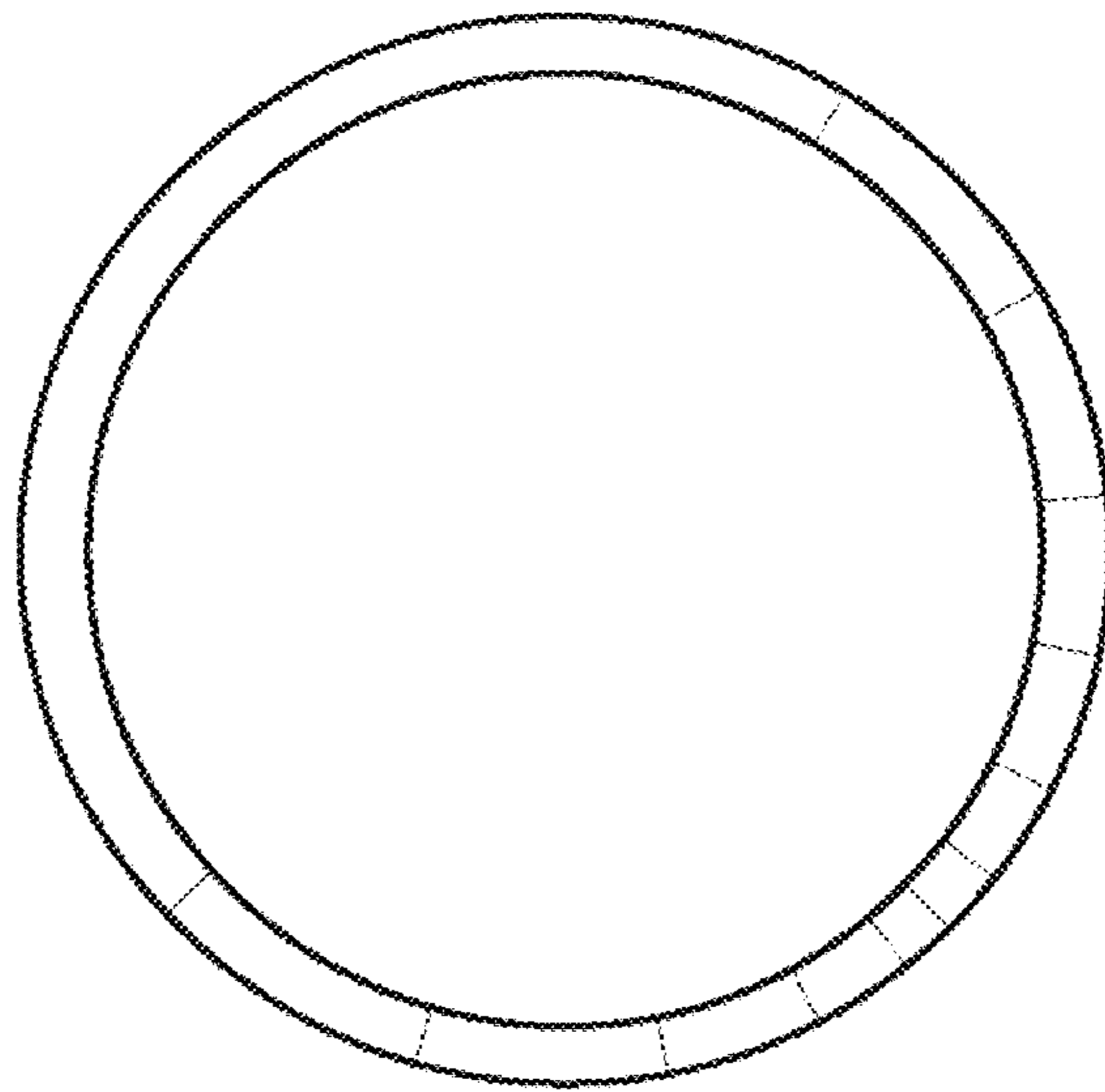


Fig. 12

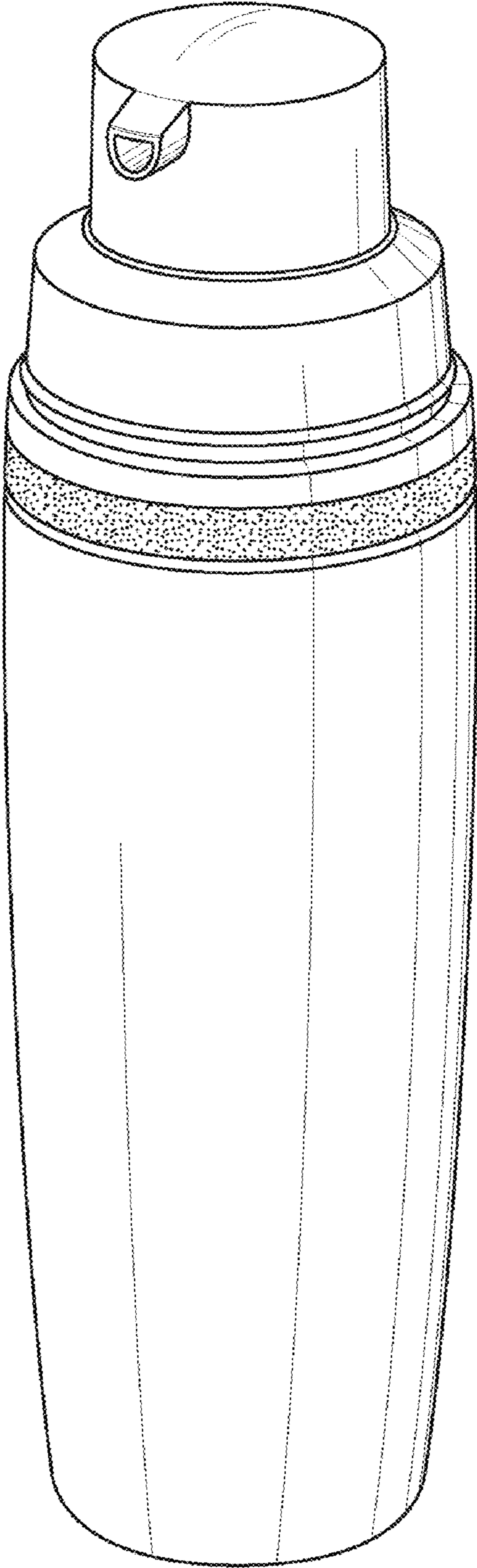


Fig. 13

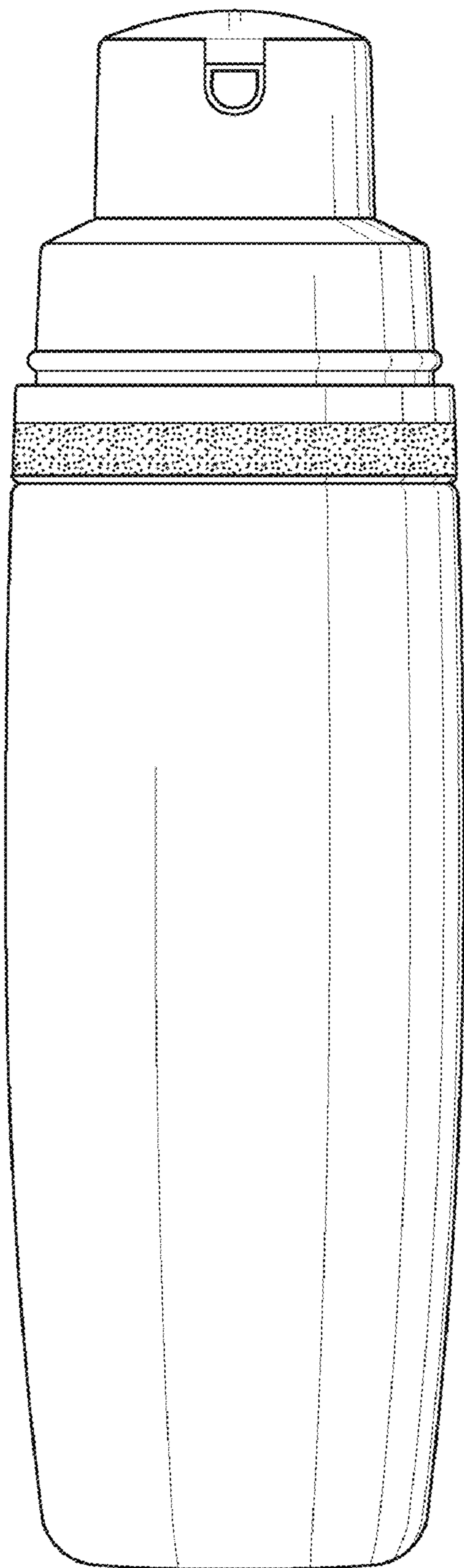


Fig. 14

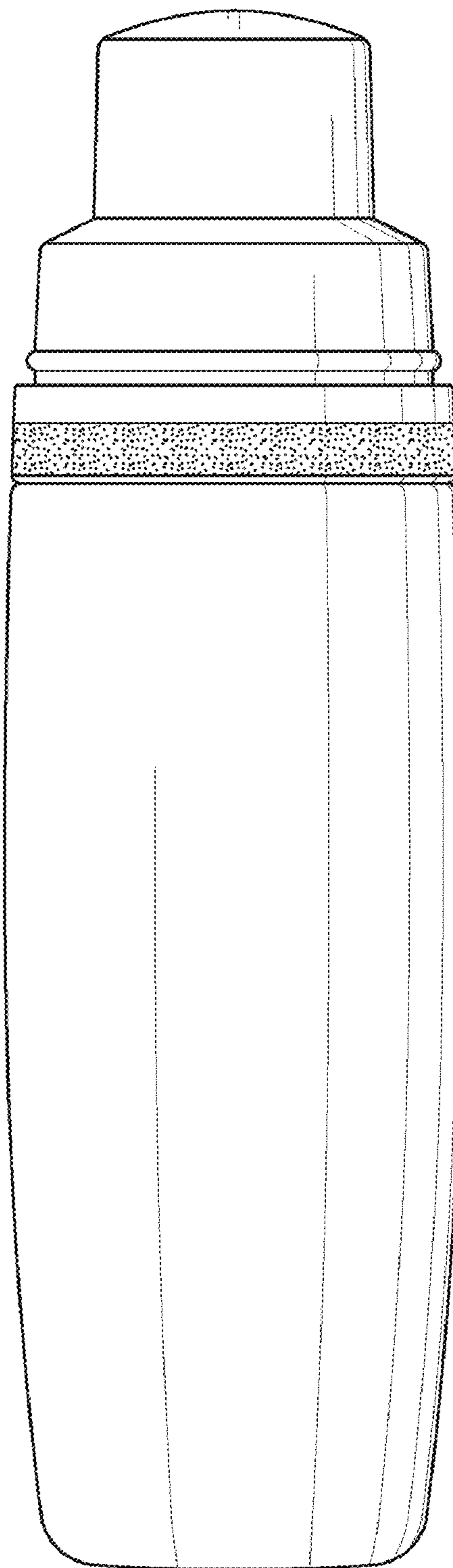


Fig. 15

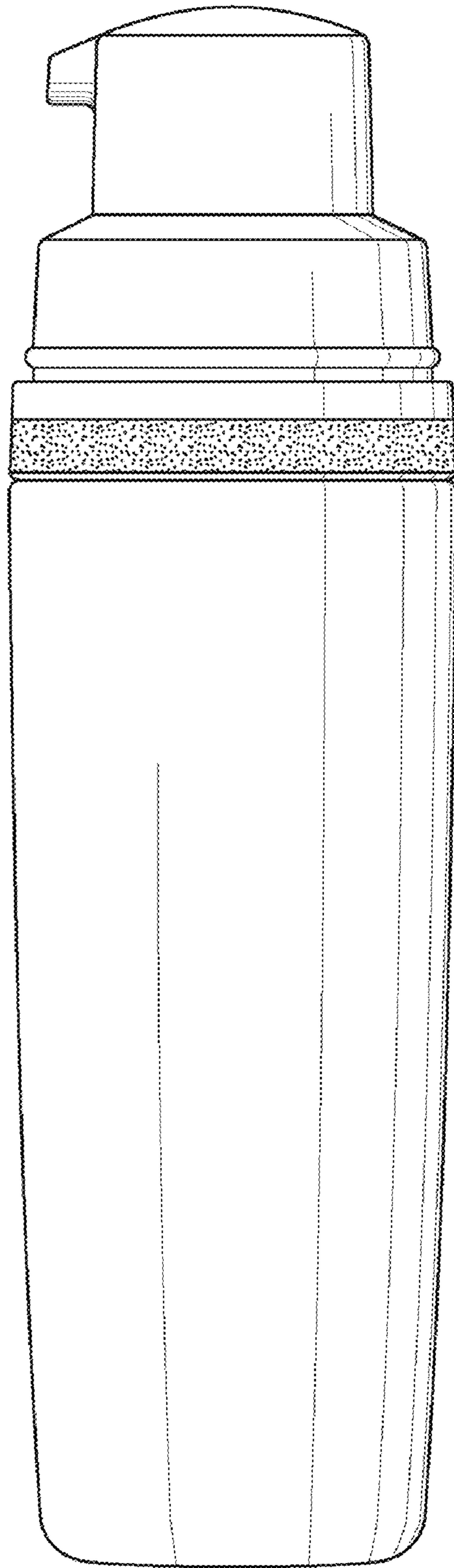


Fig. 16

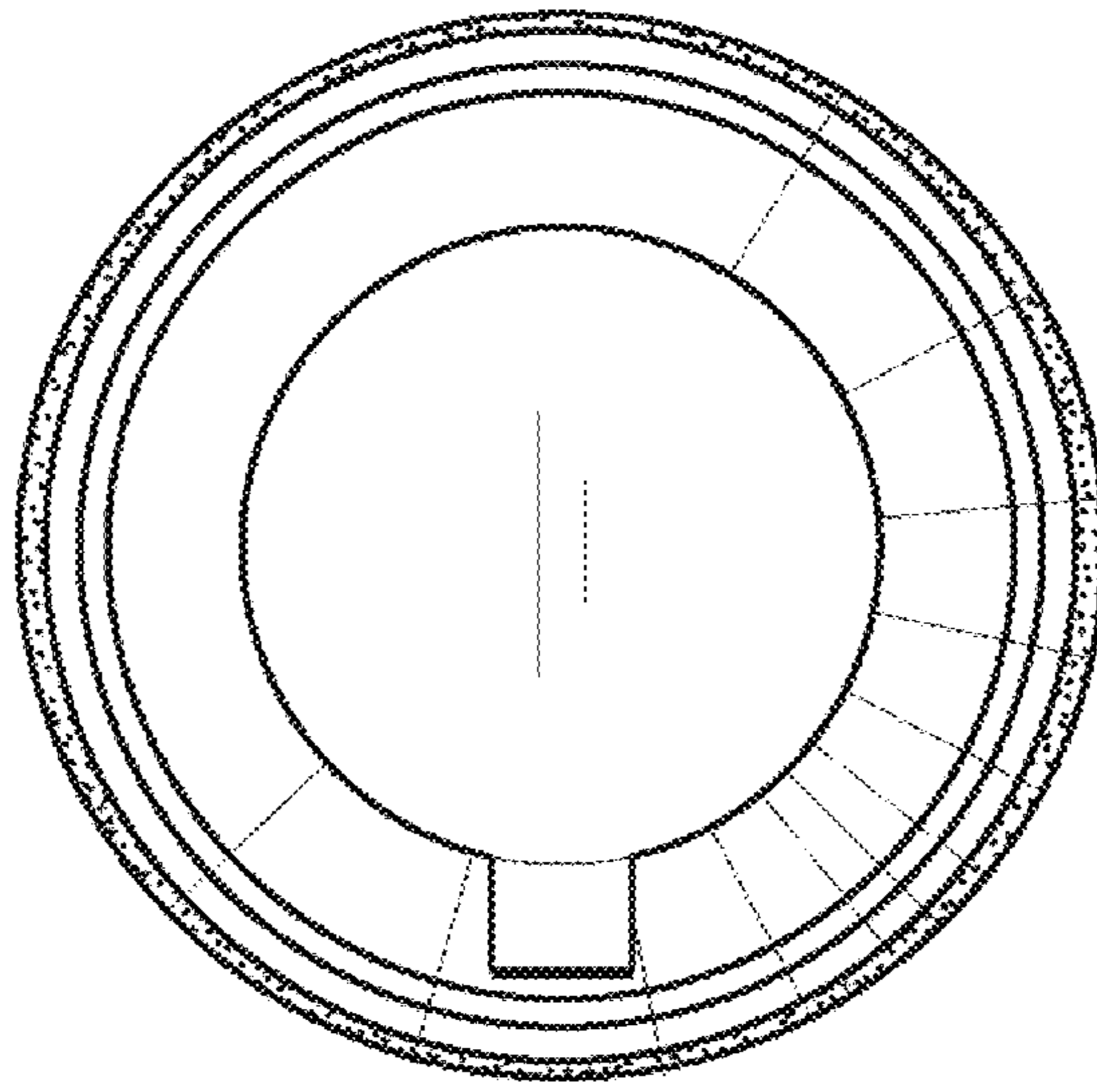


Fig. 17

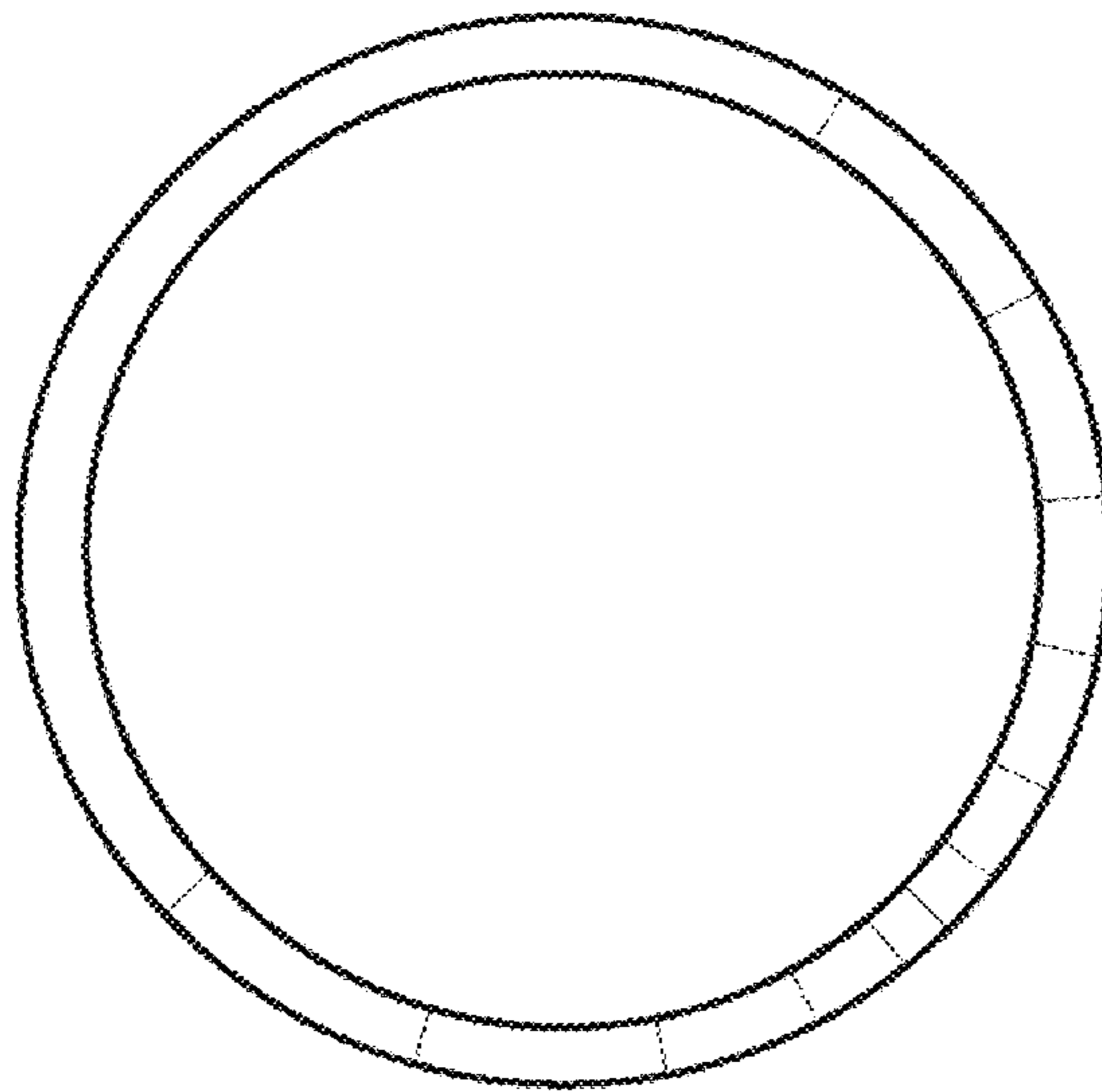


Fig. 18