



US00D651906S

(12) **United States Design Patent**  
**White et al.**

(10) **Patent No.:** **US D651,906 S**  
(45) **Date of Patent:** **\*\* \*Jan. 10, 2012**

(54) **BOTTLE**

(75) Inventors: **Jeremy M. White**, Barrington, IL (US);  
**Switlana Wojcickyj**, Chappaqua, NY  
(US); **Stanley Hainsworth**, Sammamish,  
WA (US); **Brent Lindberg**, DeKalb, IL  
(US); **Matthew Schmunk**, Portland, OR  
(US)

(73) Assignee: **Stokely-Van Camp, Inc.**, Chicago, IL  
(US)

(\*\*) Term: **14 Years**

(21) Appl. No.: **29/399,261**

(22) Filed: **Aug. 11, 2011**

**Related U.S. Application Data**

(62) Division of application No. 29/355,593, filed on Feb.  
10, 2010, now Pat. No. Des. 644,930.

(51) **LOC (9) Cl.** ..... **09-01**

(52) **U.S. Cl.** ..... **D9/540; D9/552; D9/557; D7/509**

(58) **Field of Classification Search** ..... **D9/502,**  
**D9/516, 537-540, 549, 552, 556-558, 565,**  
**D9/571; 215/381-385; D7/509-511, 396.2**  
See application file for complete search history.

(56) **References Cited**

**U.S. PATENT DOCUMENTS**

D379,154 S	5/1997	Cox	
D389,744 S	1/1998	Noe et al.	
5,704,504 A *	1/1998	Bueno .....	215/381
D399,431 S	10/1998	de Baschmakoff	
D420,291 S	2/2000	Gnann et al.	
D425,796 S	5/2000	Duranthon	
D428,813 S	8/2000	Haley	
D430,456 S *	9/2000	Thuma .....	D7/509
D431,735 S *	10/2000	Sullivan .....	D6/457
D437,774 S *	2/2001	Piccioli et al. ....	D9/667
D438,099 S	2/2001	Piccioli et al.	
D438,455 S	3/2001	Bretz et al.	
D444,701 S	7/2001	Zboch et al.	

D446,112 S	8/2001	Bretz et al.	
D449,980 S	11/2001	Piccioli et al.	
D459,231 S	6/2002	Crawford et al.	
D459,232 S	6/2002	Crawford et al.	
D466,020 S	11/2002	Crawford et al.	
D466,415 S *	12/2002	Reis .....	D9/552
D583,243 S	12/2003	Botti et al.	
D484,805 S	1/2004	Colangelo et al.	
D486,067 S	2/2004	Colangelo et al.	
D507,490 S	7/2005	Mero et al.	
D515,427 S *	2/2006	Schuller et al. ....	D9/516
D524,165 S	7/2006	Scott	
D528,431 S	9/2006	Brandt et al.	
D530,214 S	10/2006	Scot	
D530,219 S	10/2006	Brandt et al.	
D535,567 S	1/2007	Snyder	
D538,658 S *	3/2007	Horne et al. ....	D9/502
D540,680 S	4/2007	Perry et al.	
D545,194 S *	6/2007	Goudsblom .....	D9/502
D545,203 S	6/2007	Perry et al.	
D548,083 S *	8/2007	Bourne .....	D9/502

(Continued)

*Primary Examiner* — Carol P Rademaker

(74) *Attorney, Agent, or Firm* — Banner & Witcoff, Ltd.

(57) **CLAIM**

The ornamental design for a bottle, as shown and described.

**DESCRIPTION**

FIG. 1 is a top, rear, and right side perspective view of our new design;

FIG. 2 is a right side elevational view thereof;

FIG. 3 is a rear elevational view thereof;

FIG. 4 is a left side elevational view thereof;

FIG. 5 is a front elevational view thereof;

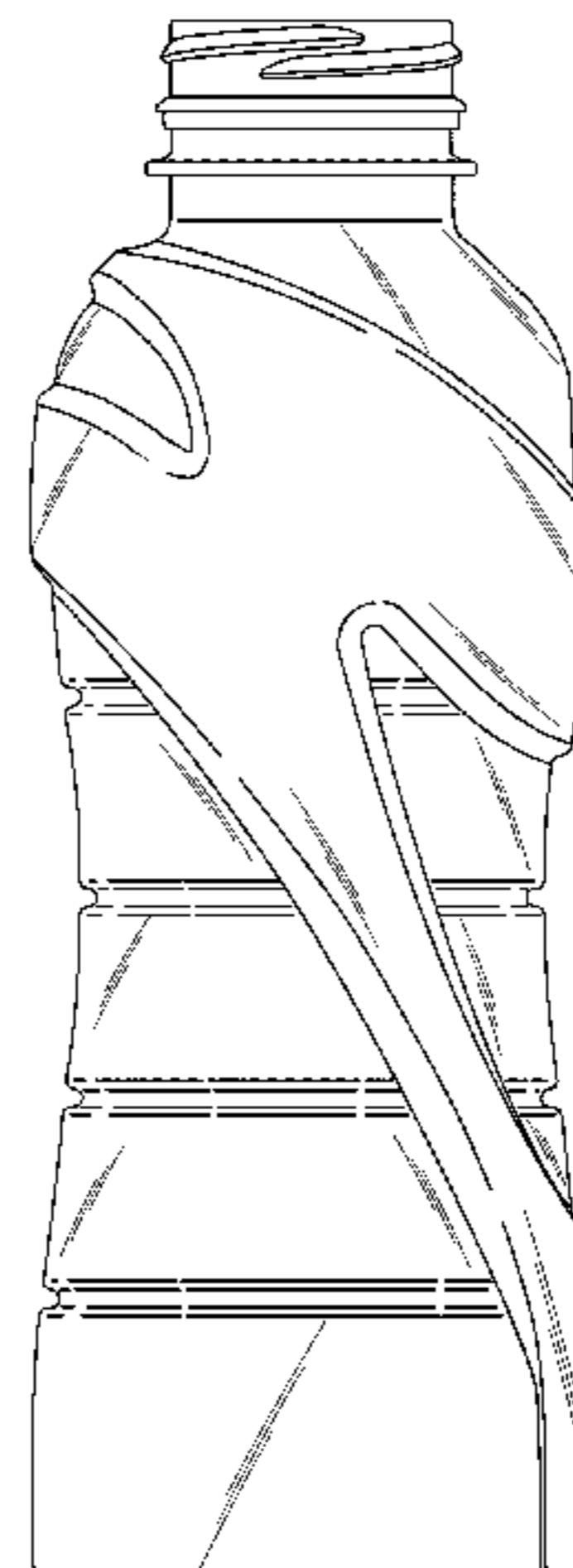
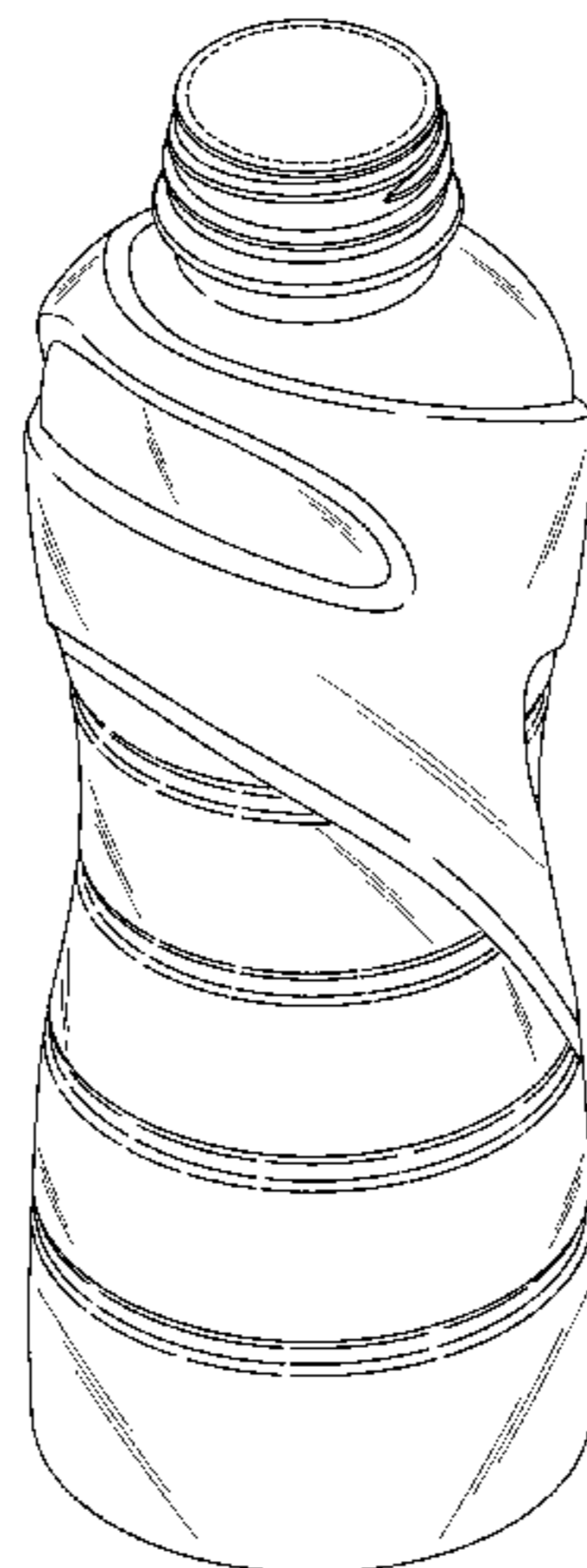
FIG. 6 is a top plan view thereof;

FIG. 7 is a bottom plan view thereof; and,

FIG. 8 is a bottom, front and left side perspective view thereof.

The broken lines shown in the drawing views are included for the purpose of illustrating environmental structure and form no part of the claimed design.

**1 Claim, 7 Drawing Sheets**



# US D651,906 S

Page 2

## U.S. PATENT DOCUMENTS

D550,096 S	9/2007	Zboch et al.	
D554,513 S	11/2007	Floyd et al.	
D554,514 S	11/2007	Floyd et al.	
D555,001 S	11/2007	Perry et al.	
D555,003 S	11/2007	Perry et al.	
D558,578 S	1/2008	Mongeon et al.	
D559,112 S	1/2008	Hyde et al.	
D561,596 S	2/2008	Hyde et al.	
D567,097 S	4/2008	Bourne	
D567,101 S	4/2008	Pierre	
D571,667 S	6/2008	Bourne	
D573,890 S	7/2008	Mongeon et al.	
D575,158 S	8/2008	Boon	
D575,161 S *	8/2008	Lepoitevin .....	D9/538
D581,285 S	11/2008	Lepoitevin	
D581,799 S	12/2008	Bourne	
D582,779 S *	12/2008	Bourne .....	D9/538
D583,245 S	12/2008	Lepoitevin	
D584,628 S *	1/2009	Lepoitevin .....	D9/538
D584,629 S *	1/2009	Darr et al. ....	D9/538
D585,700 S *	2/2009	Chu .....	D7/396.2
D589,817 S	4/2009	Shmagin	
D591,609 S	5/2009	Shmagin	
D591,610 S	5/2009	Shmagin	
D592,063 S	5/2009	Floyd et al.	
D592,069 S	5/2009	Kruparova	
D599,671 S	9/2009	Bourne	
D600,559 S *	9/2009	Lepoitevin	
D601,031 S *	9/2009	Martinez et al. ....	D9/539
D601,903 S	10/2009	Lepoitevin	
D602,363 S	10/2009	Chaffier	
D602,367 S	10/2009	Lepoitevin	
D602,370 S	10/2009	Bourne	
D602,782 S *	10/2009	Lepoitevin	
D602,783 S	10/2009	Lepoitevin	
D603,268 S	11/2009	Bourne	
D603,709 S	11/2009	Lepoitevin	
D603,711 S	11/2009	Lepoitevin	
D604,169 S	11/2009	Melossi	
D605,947 S *	12/2009	Debuire	
D608,203 S *	1/2010	Yourist .....	D9/502
D609,105 S	2/2010	Tiefenback	
D612,243 S *	3/2010	White et al. ....	D9/516
D613,166 S *	4/2010	Bentley .....	D9/502
D623,012 S *	9/2010	White et al. ....	D7/396.2
D634,588 S *	3/2011	Cook et al. ....	D7/619.1
D643,735 S *	8/2011	Sherwood .....	D9/549
D644,927 S *	9/2011	White et al. ....	D9/516
D644,929 S *	9/2011	White et al. ....	D9/540

\* cited by examiner

Fig. 1

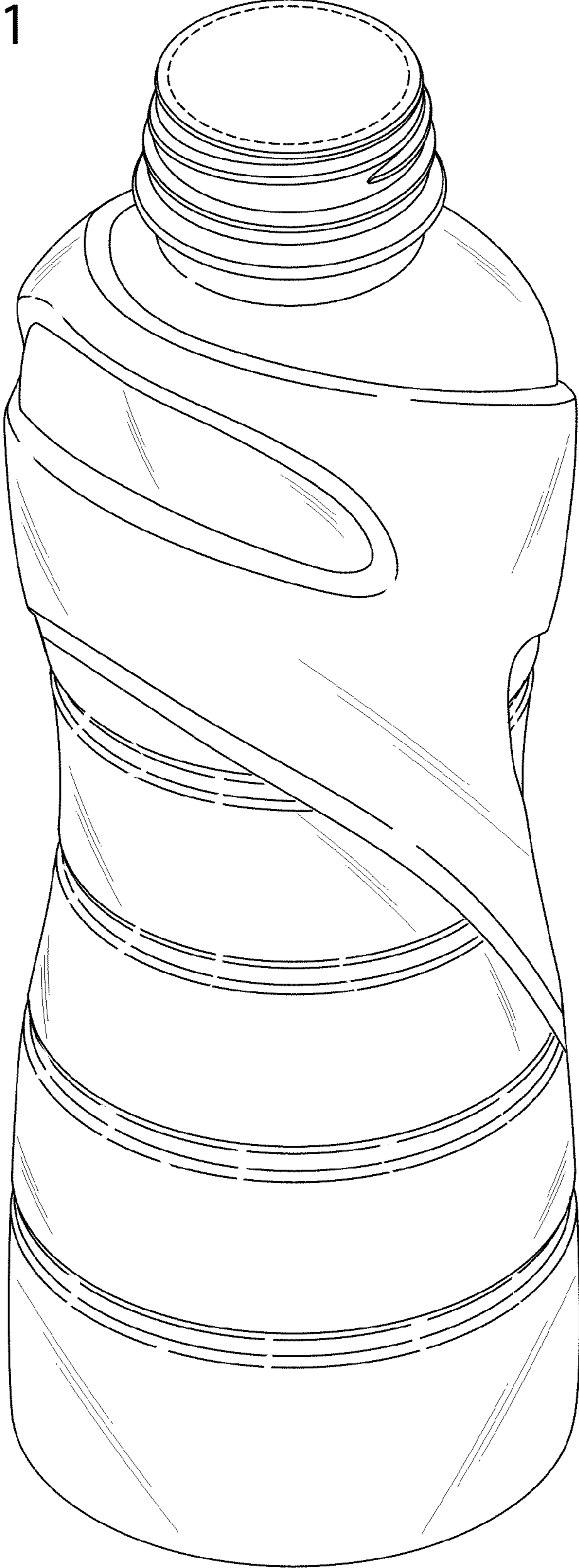


Fig. 2

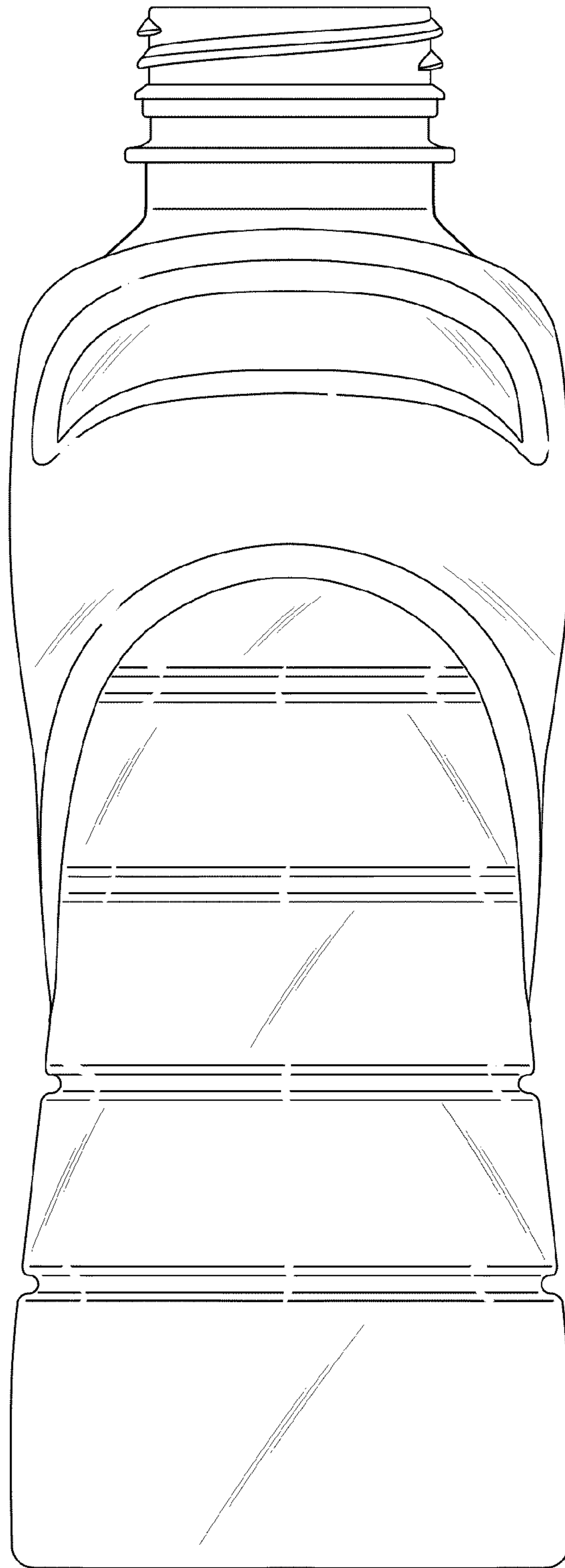


Fig. 3

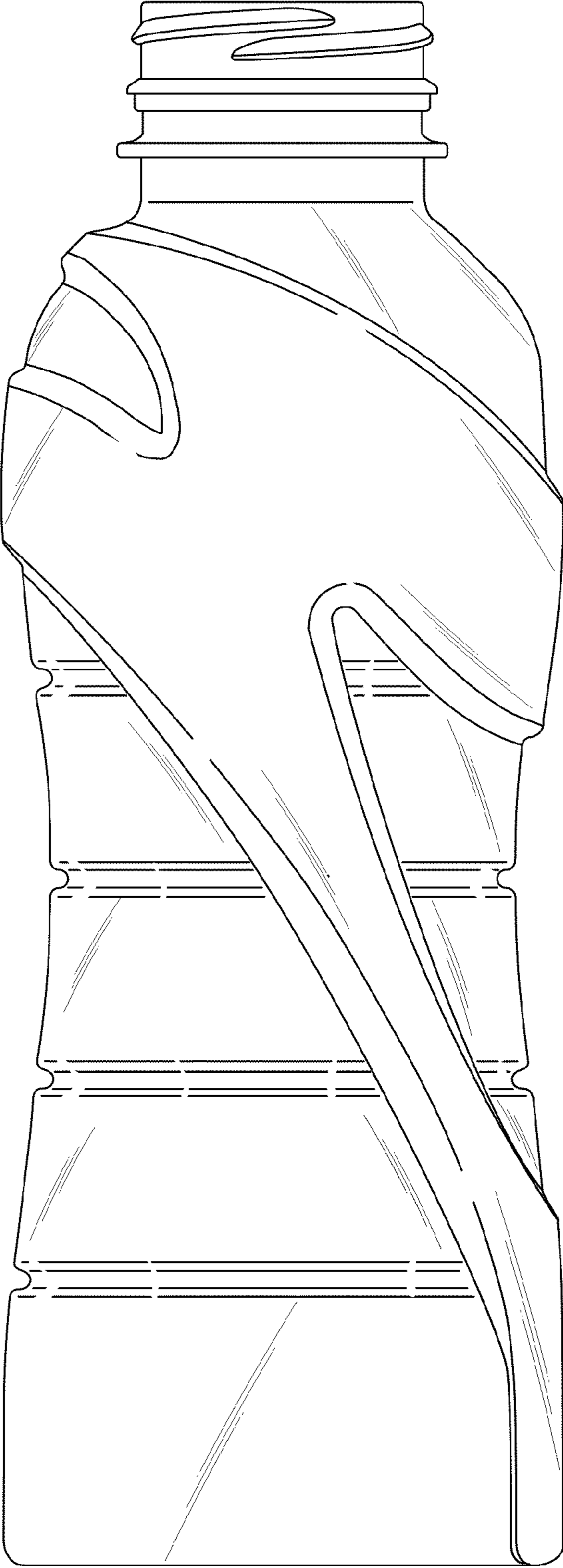


Fig. 4

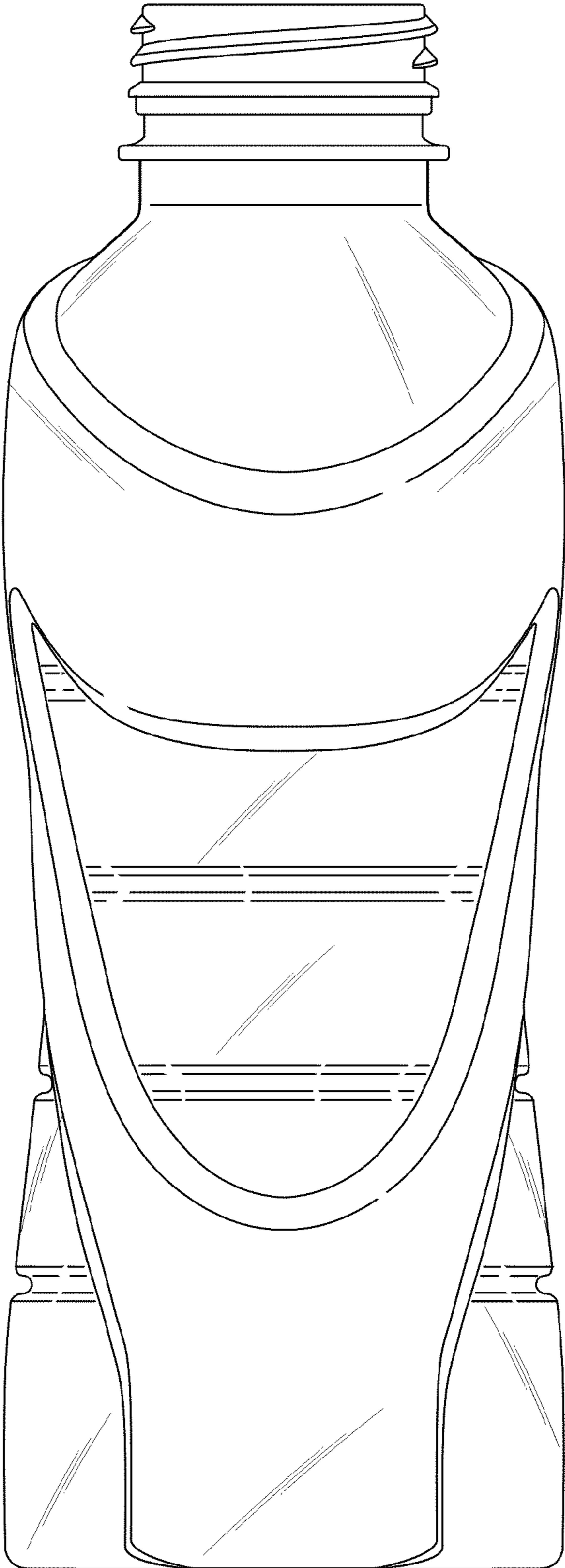


Fig. 5

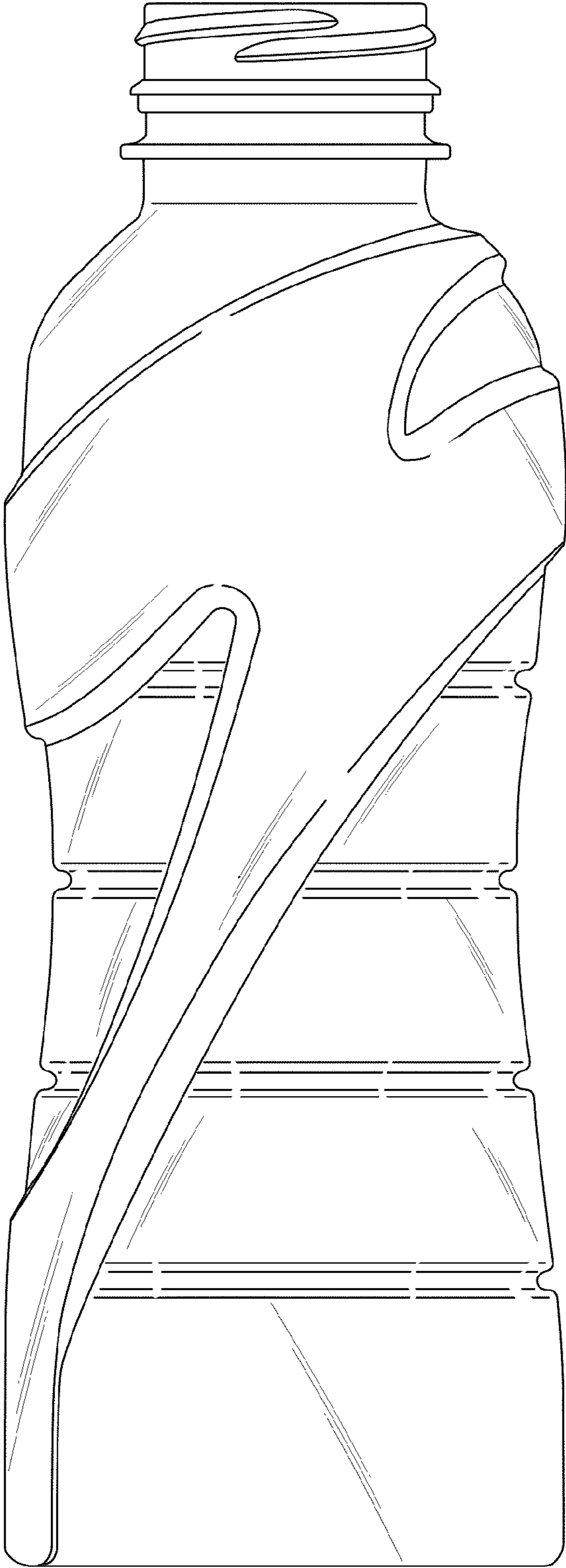


Fig. 6

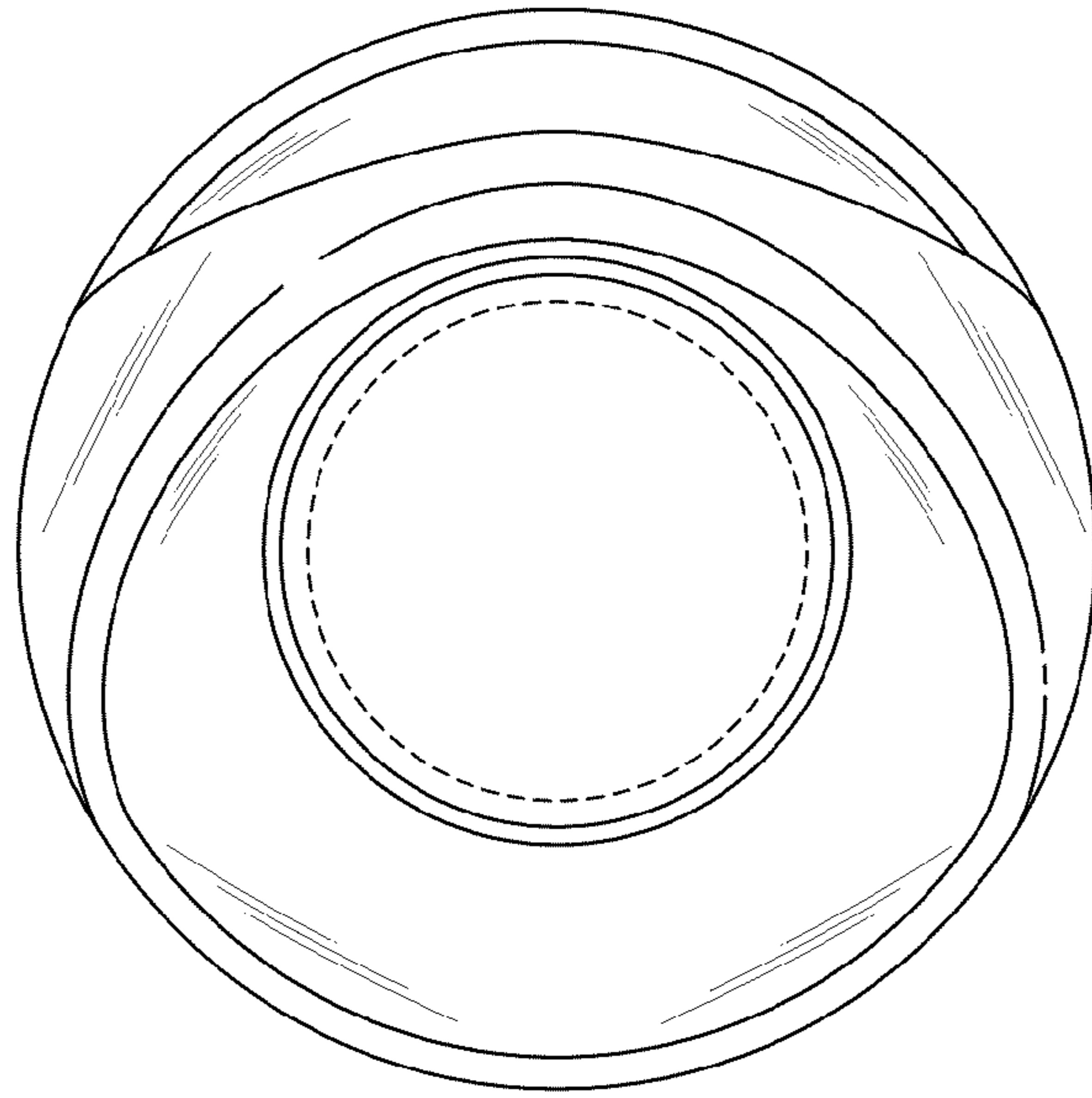


Fig. 7

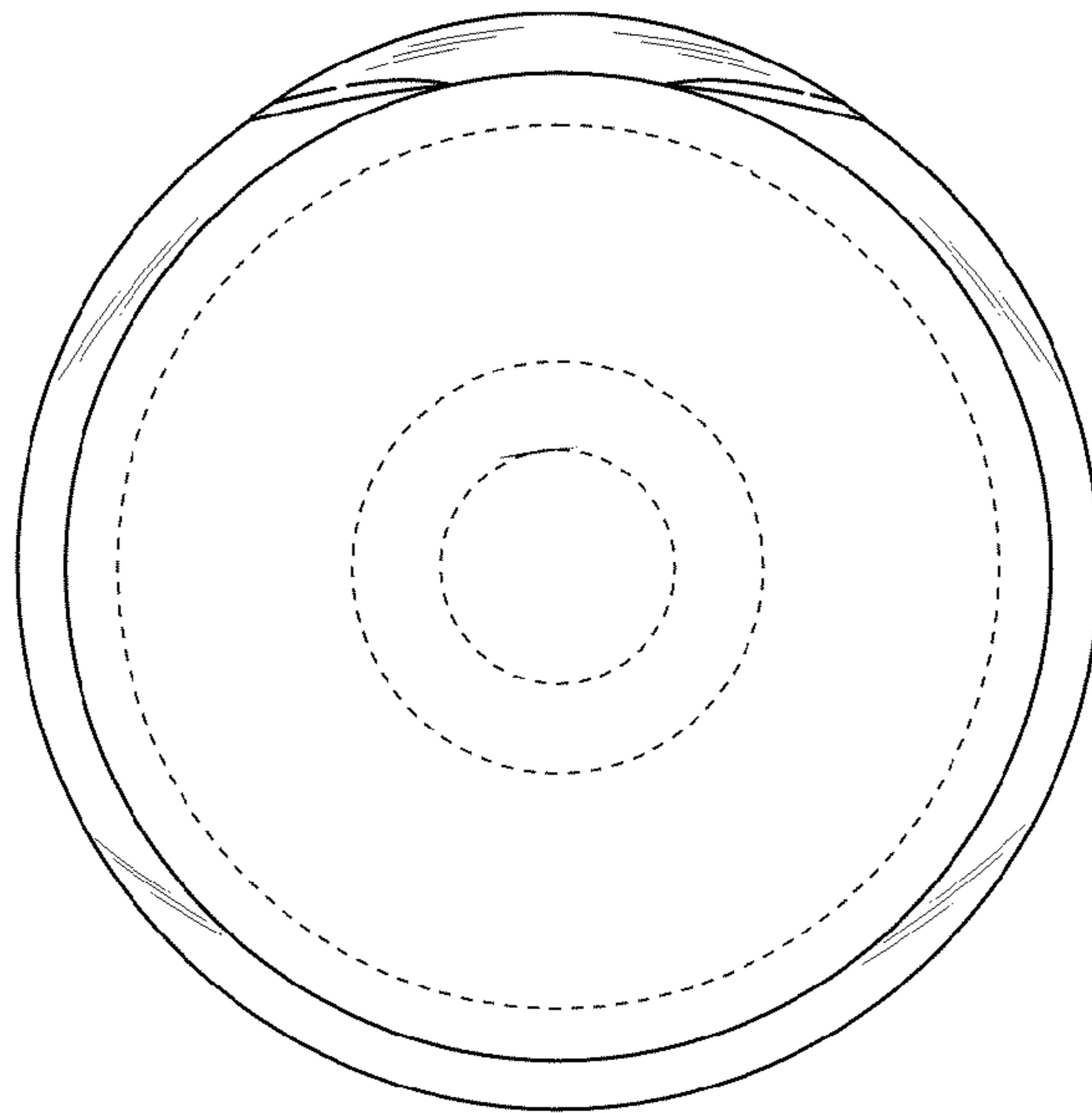




Fig. 8

