



US00D651901S

(12) **United States Design Patent**
Miller et al.

(10) **Patent No.:** **US D651,901 S**
(45) **Date of Patent:** **** Jan. 10, 2012**

(54) **CONTAINER BASE**

(75) Inventors: **James J. Miller**, Barberton, OH (US);
Gary I. Voss, Medina, OH (US)

(73) Assignee: **Plastipak Packaging, Inc.**, Plymouth,
MI (US)

(**) Term: **14 Years**

(21) Appl. No.: **29/355,404**

(22) Filed: **Feb. 8, 2010**

(51) **LOC (9) Cl.** **09-01**

(52) **U.S. Cl.** **D9/516; D9/520**

(58) **Field of Classification Search** D9/516,
D9/520, 537-540, 549-550, 557-558, 575;
215/370, 371-373, 376; 220/600, 602, 604-606,
220/608-609

See application file for complete search history.

(56) **References Cited**

U.S. PATENT DOCUMENTS

2,541,065	A *	2/1951	Jabour	220/581
4,978,015	A	12/1990	Walker		
D327,845	S *	7/1992	Behm et al.	D9/520
D330,330	S *	10/1992	Behm et al.	D9/434
5,160,059	A	11/1992	Collette et al.		
D358,547	S *	5/1995	Darr	D9/520
5,427,258	A	6/1995	Krishnakumar et al.		
5,529,196	A	6/1996	Lane		
D383,677	S	9/1997	Darr		
5,756,018	A	5/1998	Valyi		
D399,424	S	10/1998	Young		
D409,919	S	5/1999	Young		
6,085,924	A	7/2000	Henderson		

6,149,024	A	11/2000	Deemer et al.		
D510,031	S	9/2005	Slat et al.		
D519,384	S	4/2006	Voss et al.		
D538,170	S *	3/2007	Venkataraman et al.	D9/550
D543,462	S	5/2007	Pedmo et al.		
D556,044	S *	11/2007	Hirata	D9/520
D569,729	S	5/2008	Pedmo et al.		
D582,775	S	12/2008	Pedmo et al.		
D582,781	S *	12/2008	Miller	D9/520
D582,782	S *	12/2008	Toson	D9/520
D644,112	S *	8/2011	Williams et al.	D9/550
D644,114	S *	8/2011	Williams et al.	D9/550
2003/0006208	A1	1/2003	Cheng et al.		
2008/0245761	A1	10/2008	Piccioli et al.		
2008/0257855	A1	10/2008	Patel		

* cited by examiner

Primary Examiner — Ian Simmons

Assistant Examiner — Dana L Sipos

(74) *Attorney, Agent, or Firm* — Mario A. Tabone

(57) **CLAIM**

The ornamental design for a container base, as shown and described.

DESCRIPTION

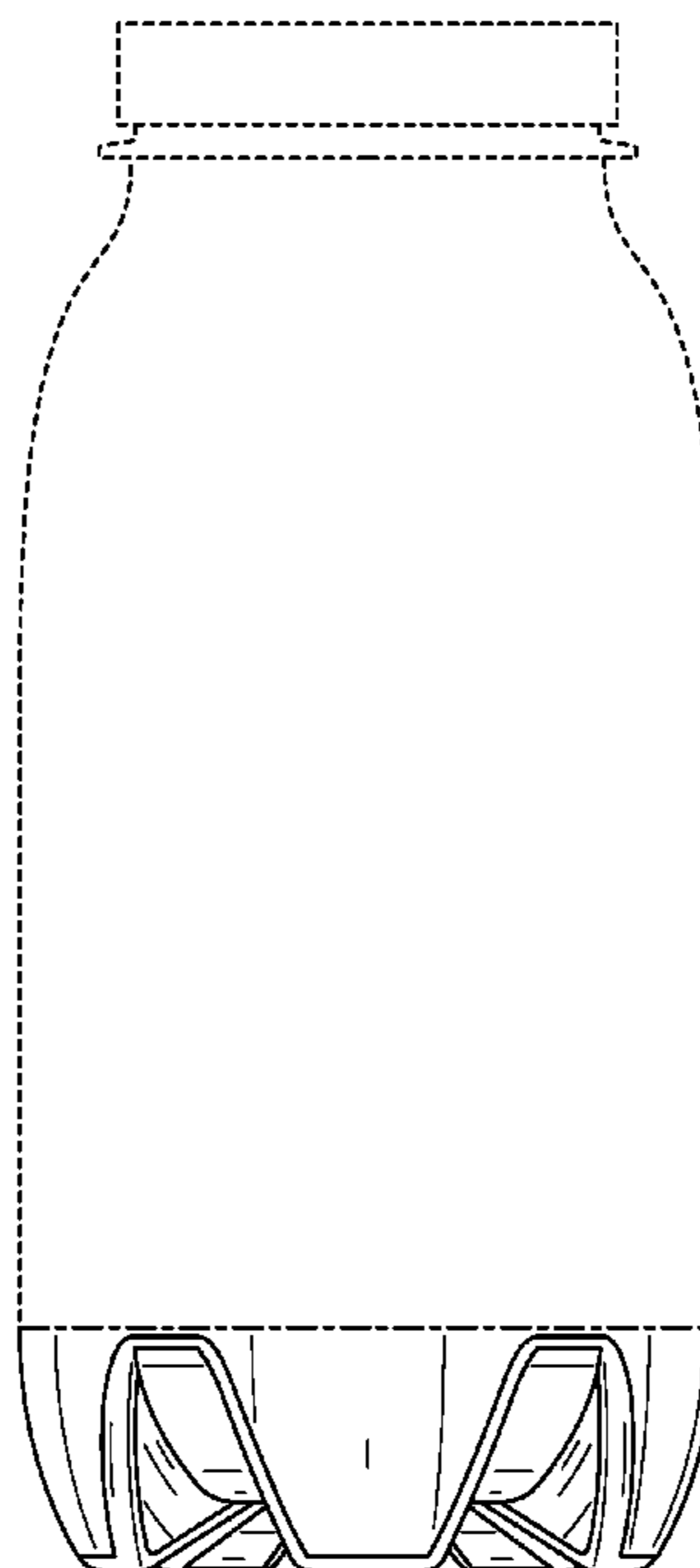
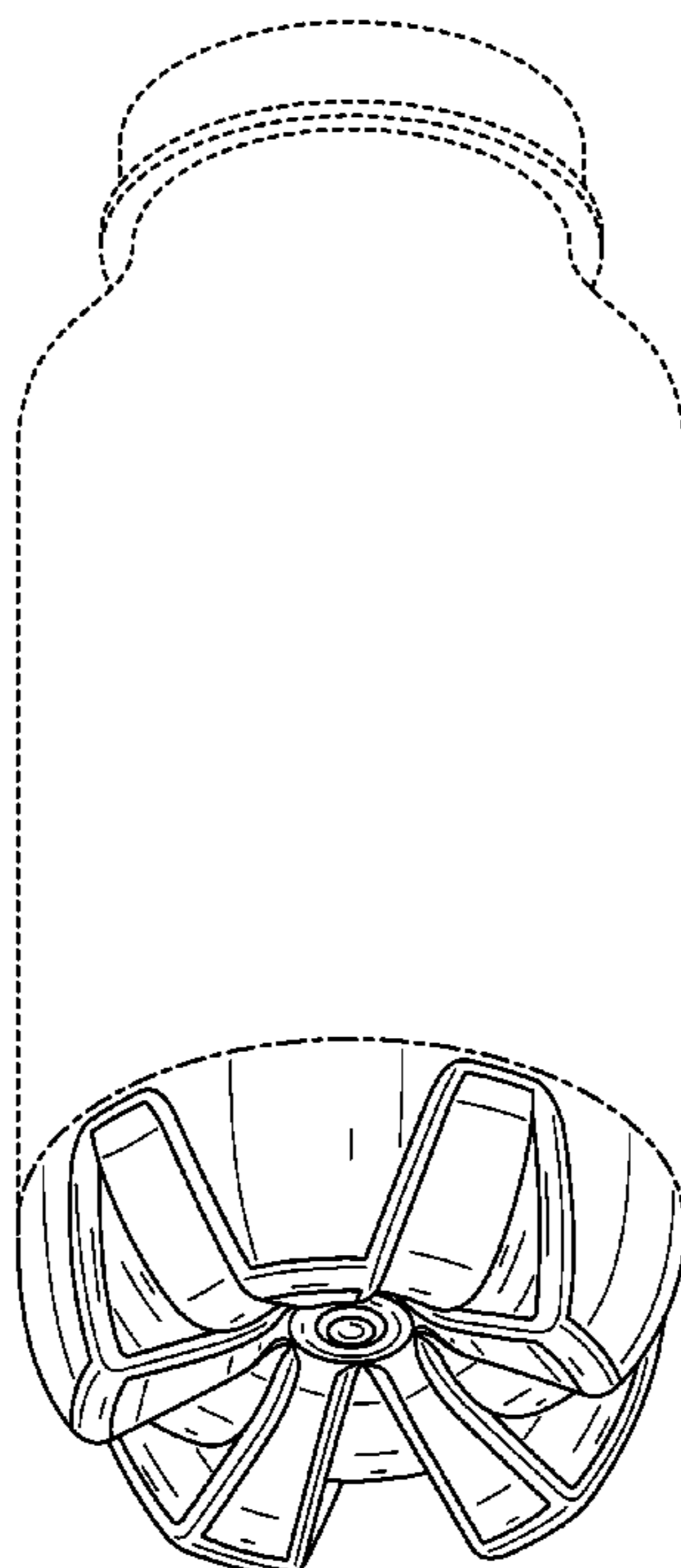
FIG. 1 is a bottom perspective view of a container base showing our new design;

FIG. 2 is a bottom plan view thereof; and,

FIG. 3 is a side elevation view thereof.

The evenly dashed broken lines in the drawings are for environmental purposes and form no part of the claim. The dot-dot-dash broken lines in the drawings define the bounds of the claim and form no part thereof.

1 Claim, 3 Drawing Sheets



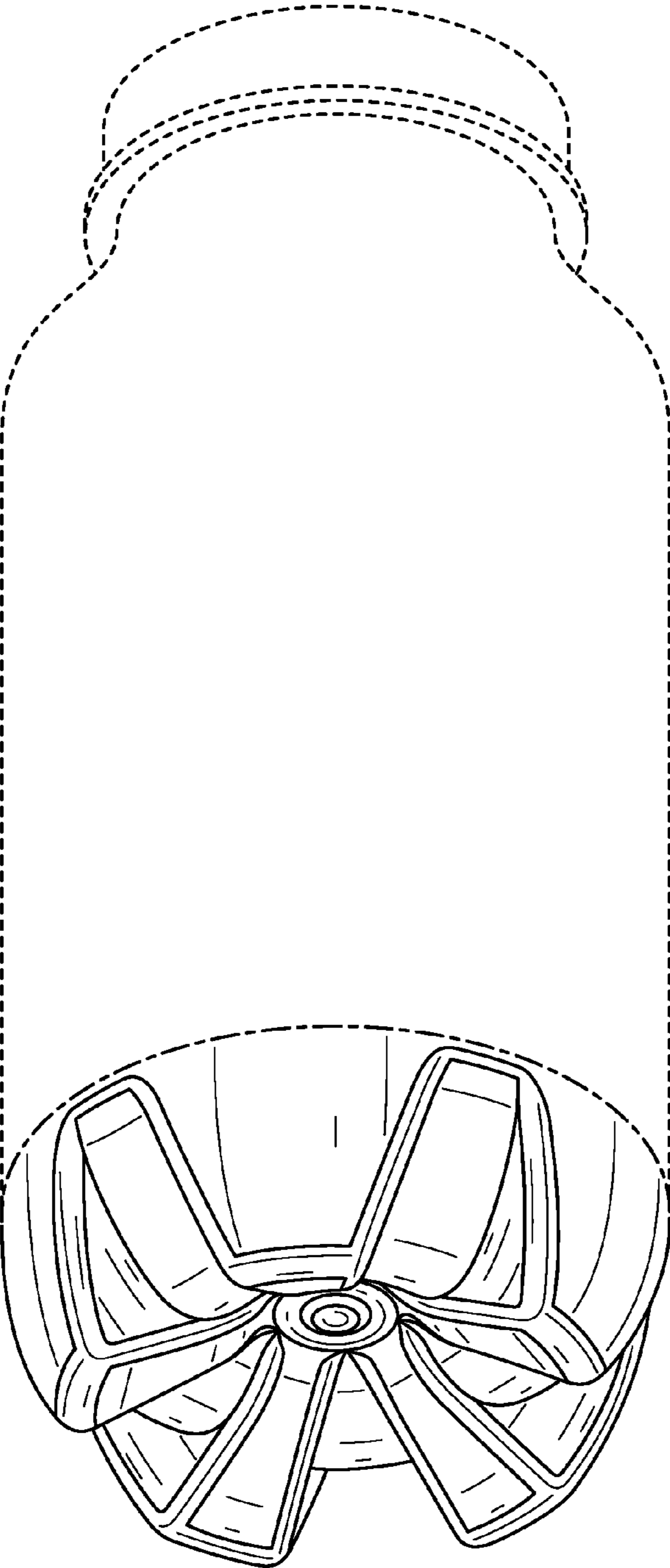


FIG. 1

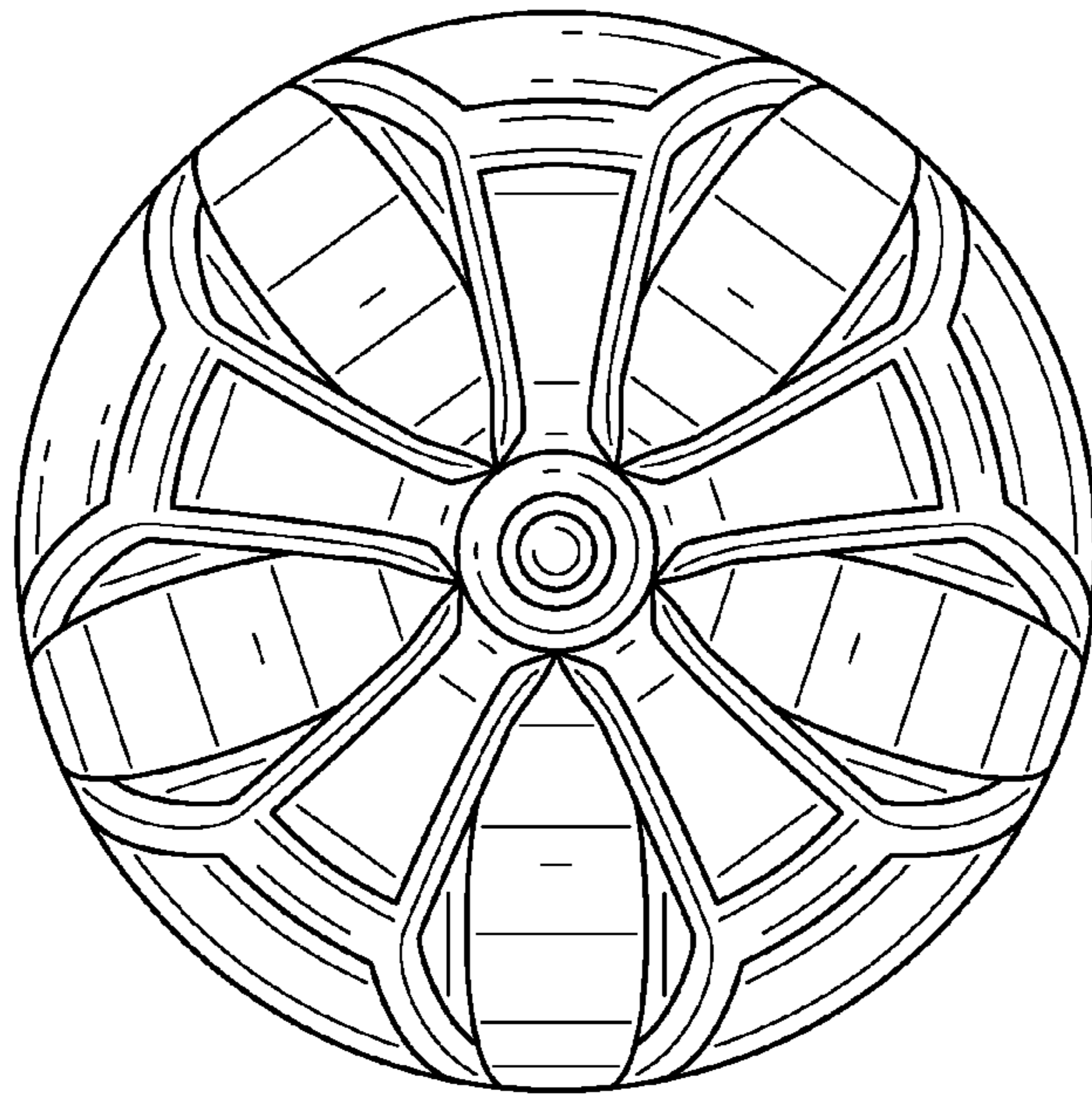


FIG. 2

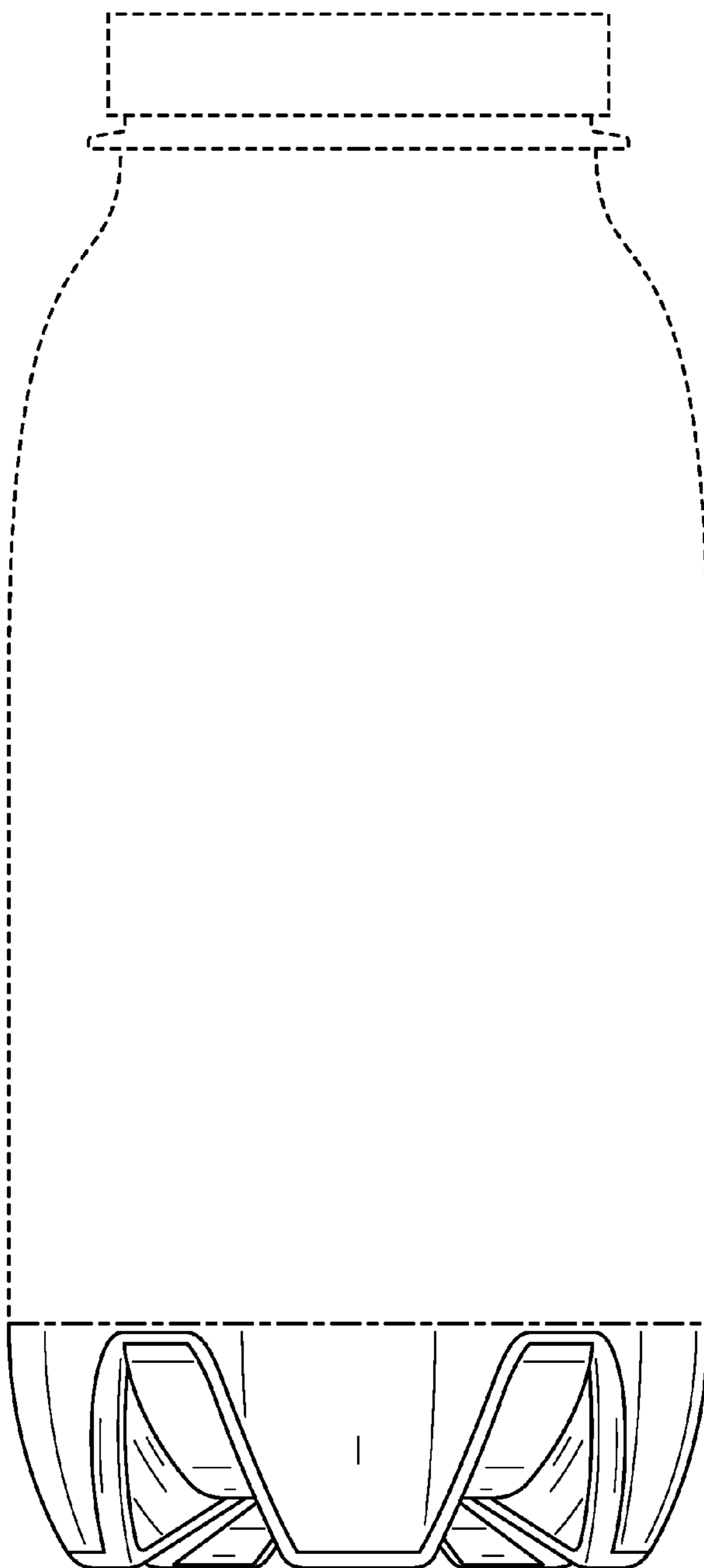


FIG. 3