



US00D651900S

(12) **United States Design Patent**
Ashiwa et al.

(10) **Patent No.:** **US D651,900 S**
(45) **Date of Patent:** **** Jan. 10, 2012**

(54) **COSMETIC CONTAINER**

(75) Inventors: **Akiko Ashiwa**, Singapore (SG); **Davide (Sergio) Nicosia**, New York, NY (US)

(73) Assignee: **The Procter & Gamble Company**, Cincinnati, OH (US)

(**) Term: **14 Years**

(21) Appl. No.: **29/388,743**

(22) Filed: **Apr. 1, 2011**

(51) **LOC (9) Cl.** **09-01**

(52) **U.S. Cl.** **D9/504**

(58) **Field of Classification Search** D9/434-435,
D9/444, 454, 500, 502-504, 505, 516, 529,
D9/544-546, 549, 558, 574, 682, 686-692;
D26/6, 9-10, 22; D28/4, 7-8, 76-78, 82;
215/379, 381-382; 220/660, 669, 675
See application file for complete search history.

(56) **References Cited**

U.S. PATENT DOCUMENTS

2,711,766	A *	6/1955	Archer et al.	220/62.18
D218,399	S *	8/1970	Campbell et al.	D9/504
D483,671	S *	12/2003	Pinnavaia	D9/500
D540,170	S *	4/2007	Canamasas Puigbo	D9/504
D543,458	S *	5/2007	Dittmer et al.	D9/504
D567,090	S *	4/2008	Swint et al.	D9/504
D619,894	S *	7/2010	Ashiwa et al.	D9/504
D627,650	S *	11/2010	Yeung	D9/504

D638,710 S * 5/2011 Yeung D9/504
* cited by examiner

Primary Examiner — Ian Simmons

Assistant Examiner — Dana L Sipos

(74) *Attorney, Agent, or Firm* — Eric T. Addington; S. Robert Chuey; James C. Vago

(57) **CLAIM**

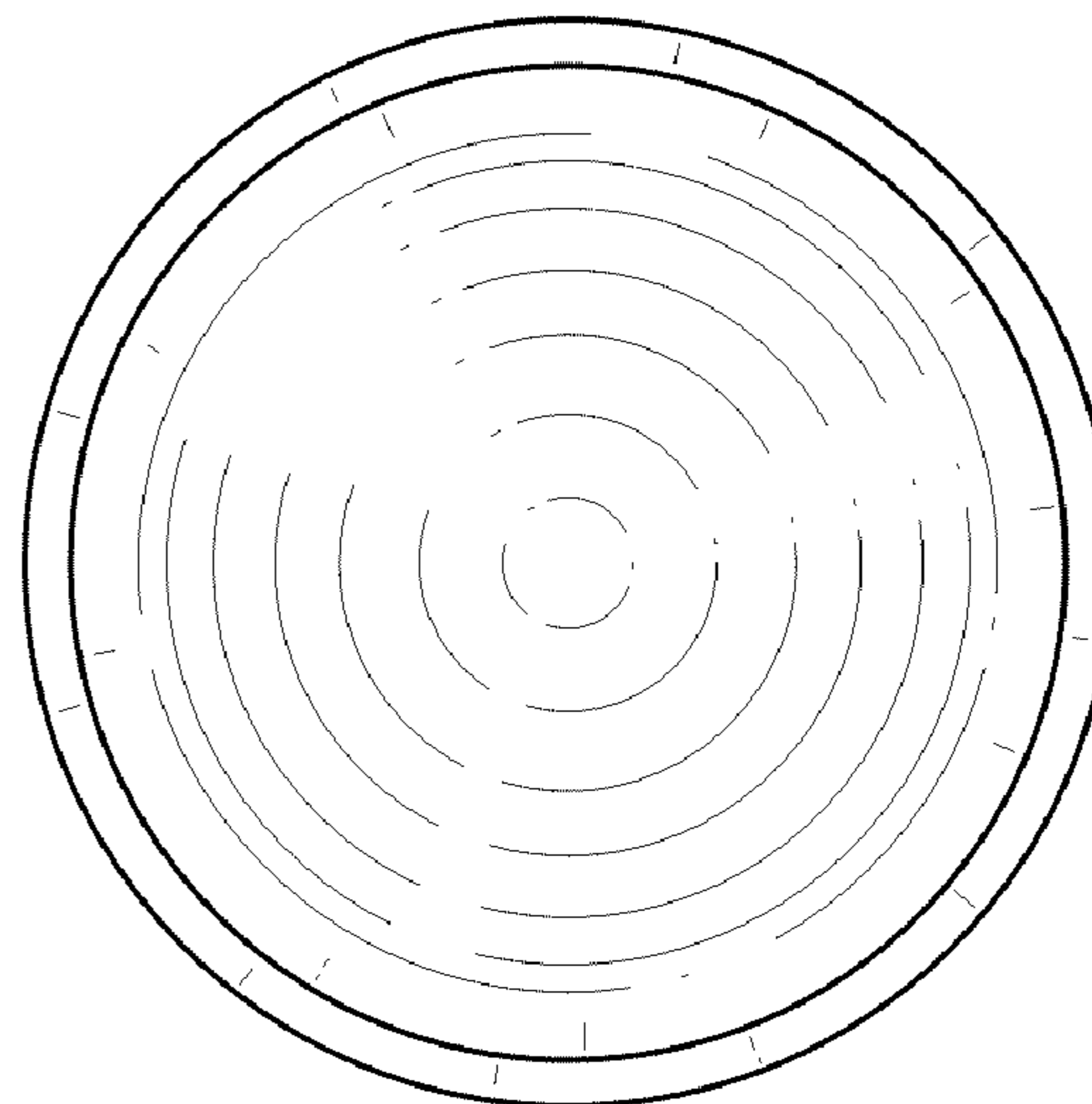
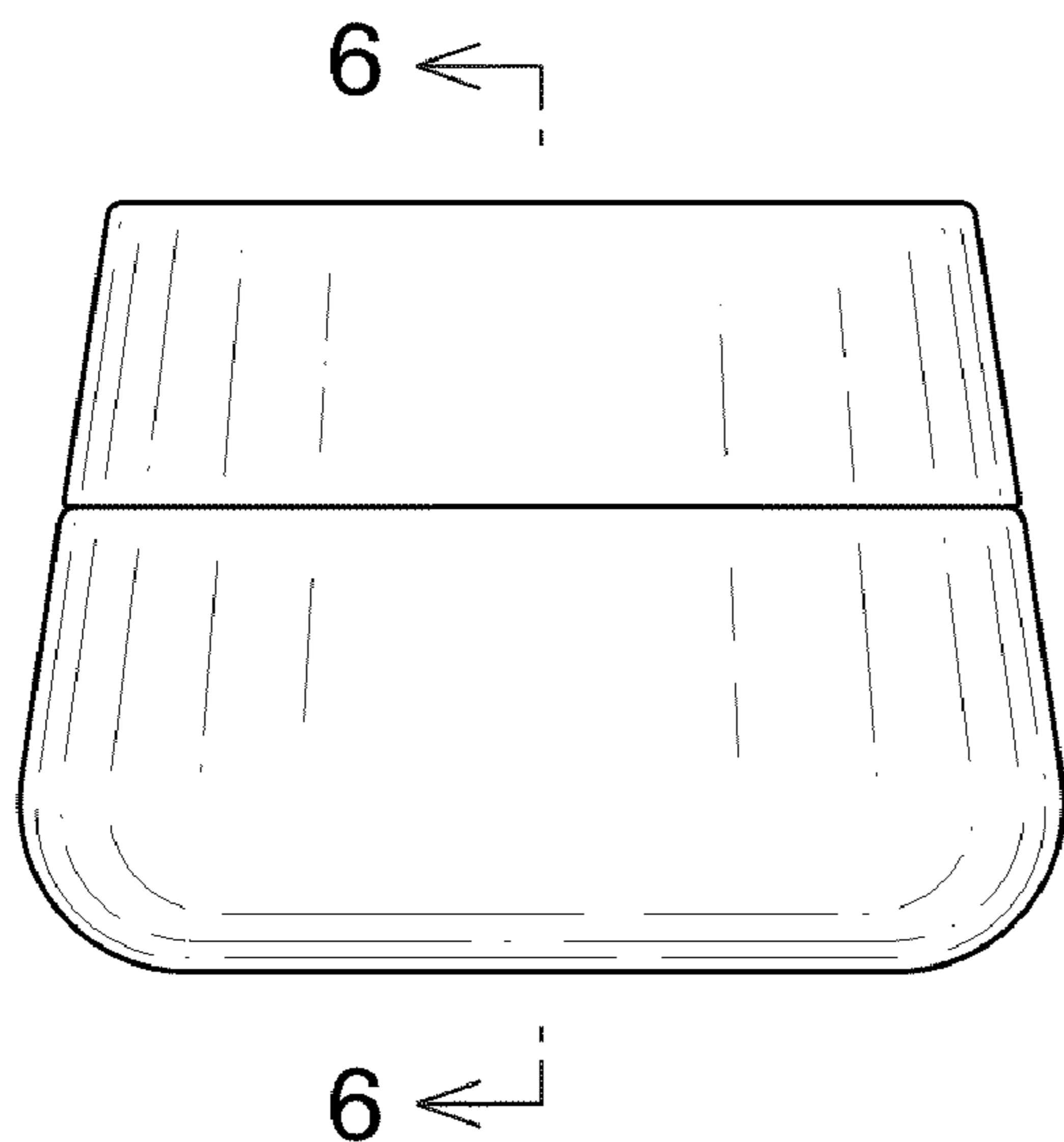
The ornamental design for cosmetic container, as shown and described.

DESCRIPTION

FIG. 1 is a perspective view of cosmetic container, embodying our new design;
FIG. 2 is a front view thereof;
FIG. 3 is a side view thereof;
FIG. 4 is a top plan view thereof;
FIG. 5 is a bottom view thereof;
FIG. 6 is a cross sectional view thereof.
FIG. 7 is a perspective view of the second embodiment of cosmetic container, embodying our new design;
FIG. 8 is a front view thereof;
FIG. 9 is a side view thereof;
FIG. 10 is a top plan view thereof;
FIG. 11 is a bottom view thereof; and,
FIG. 12 is a cross sectional view thereof.

The broken lines shown in the drawings are for illustrative purposes only and form no part of the claimed design. Back view and one of the side views are omitted because a back view is identical to a front view, and side views are identical to each other.

1 Claim, 8 Drawing Sheets



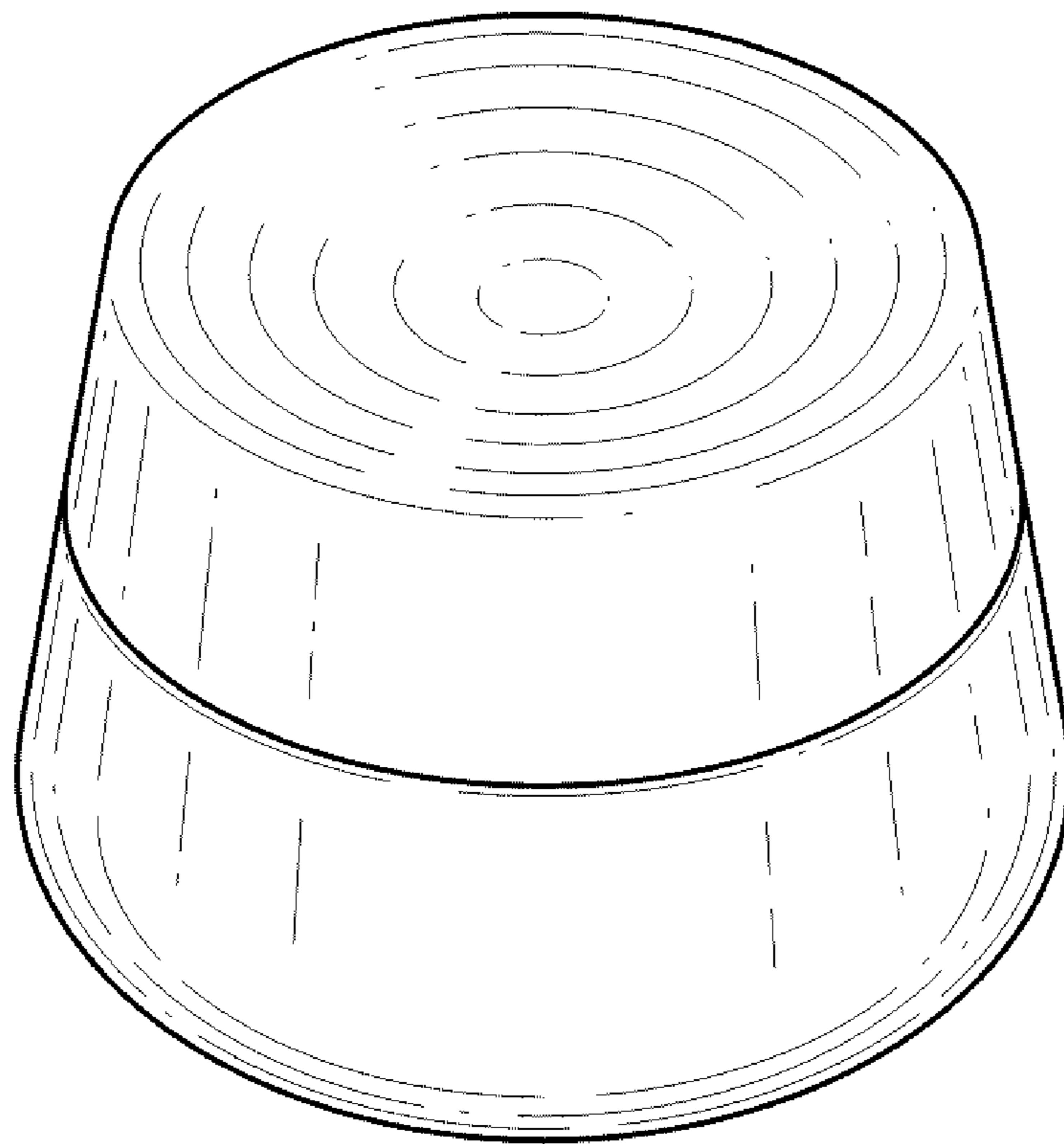


Fig. 1

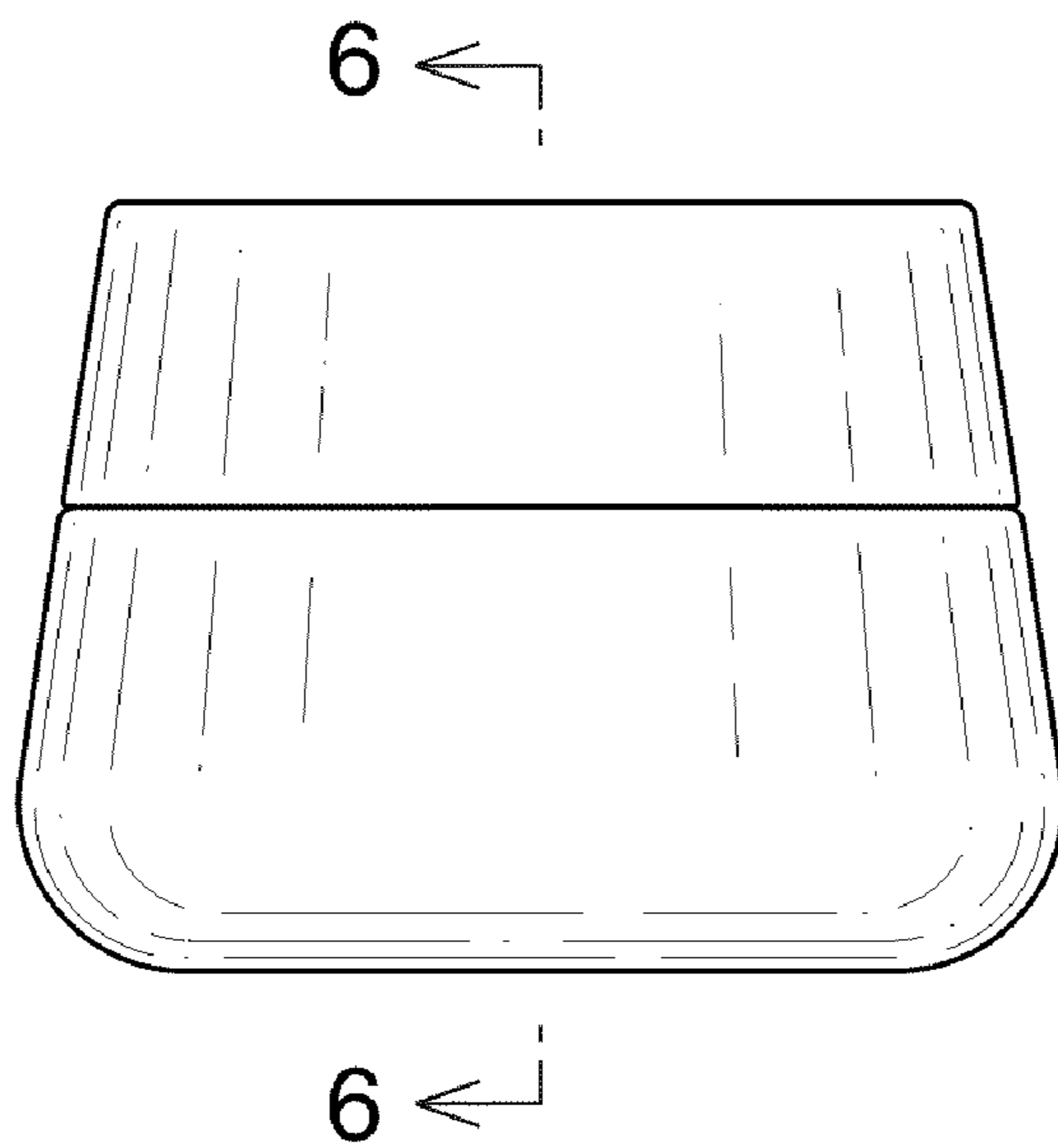


Fig. 2

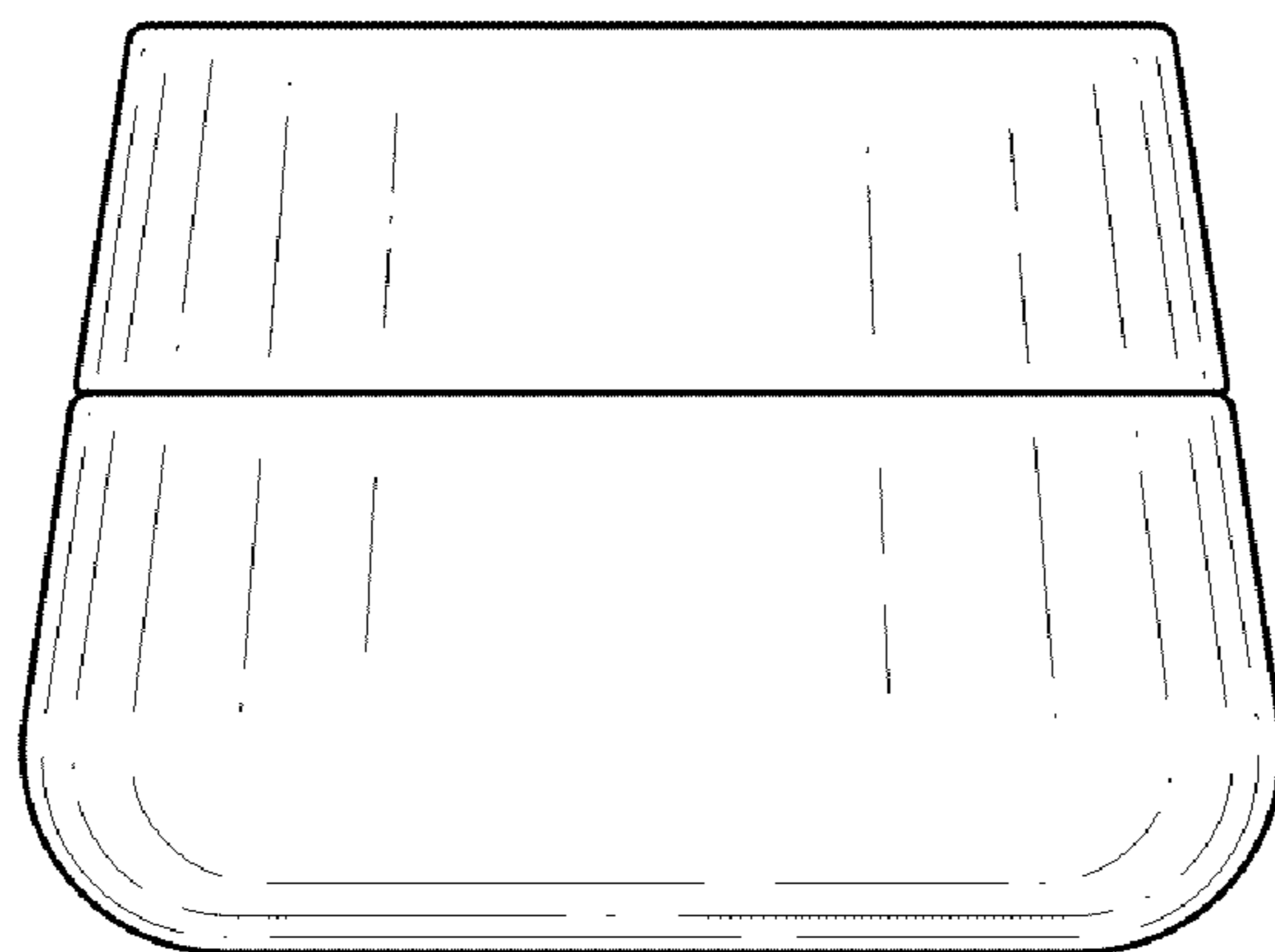


Fig. 3

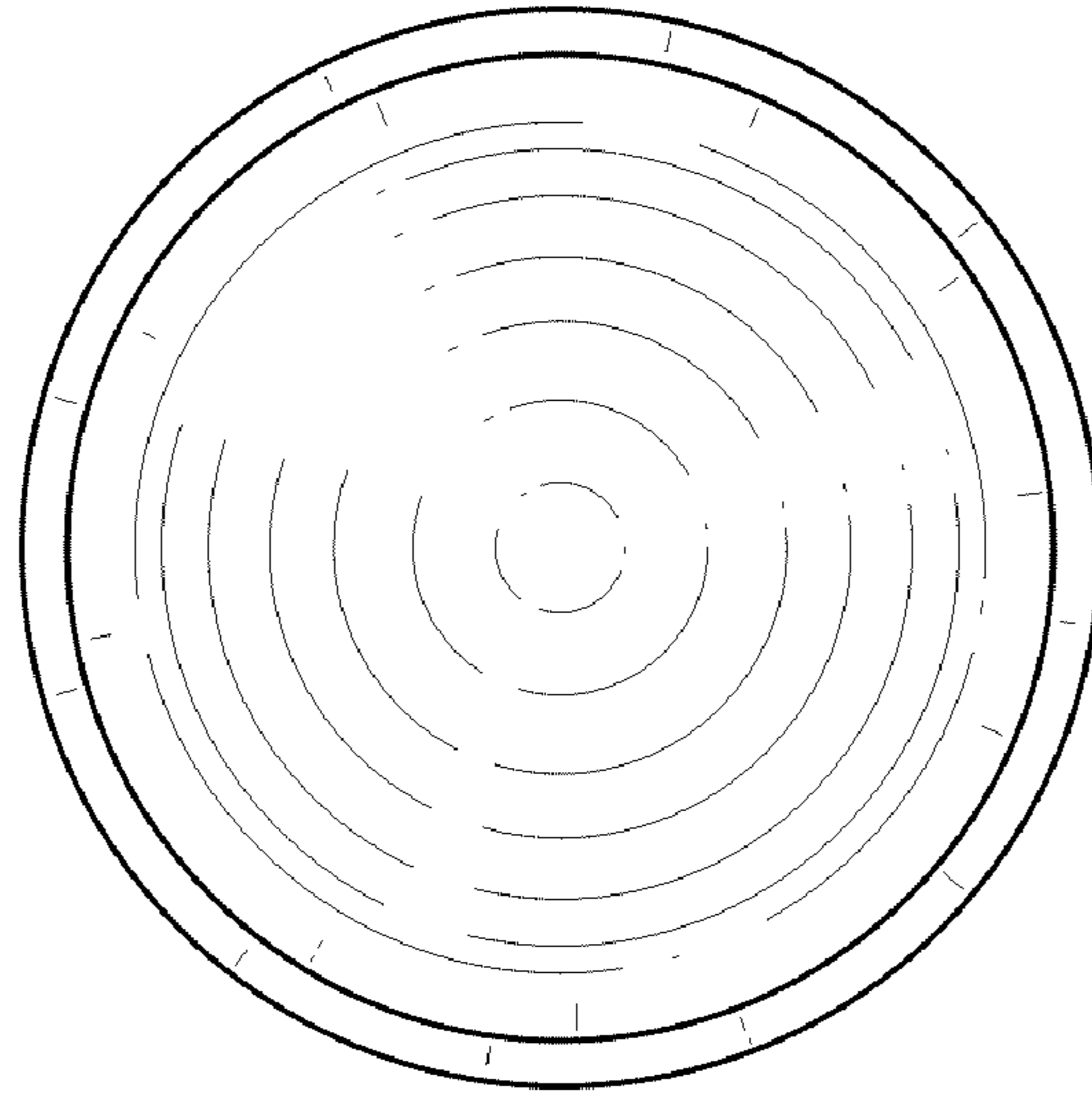


Fig. 4

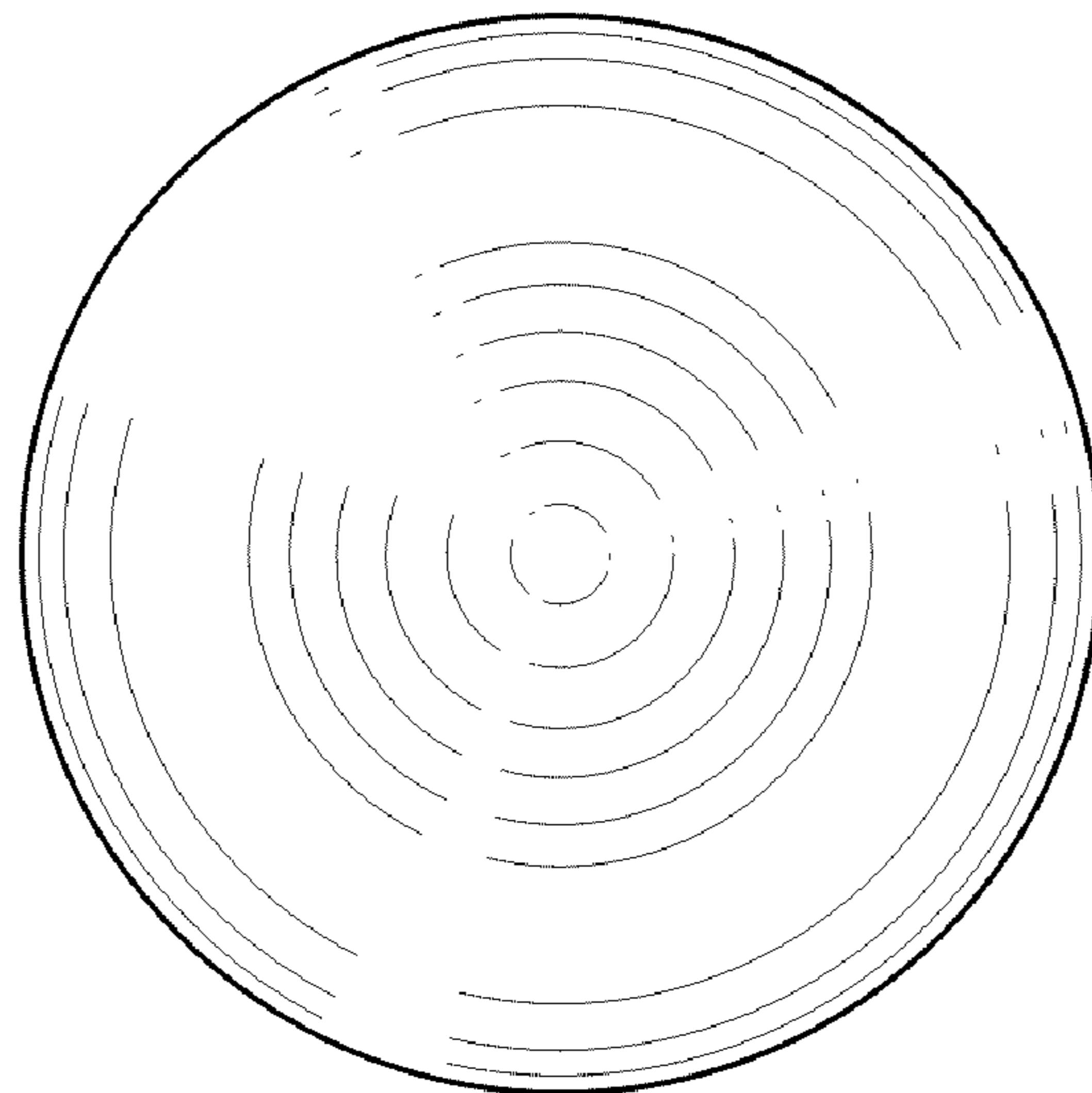


Fig. 5

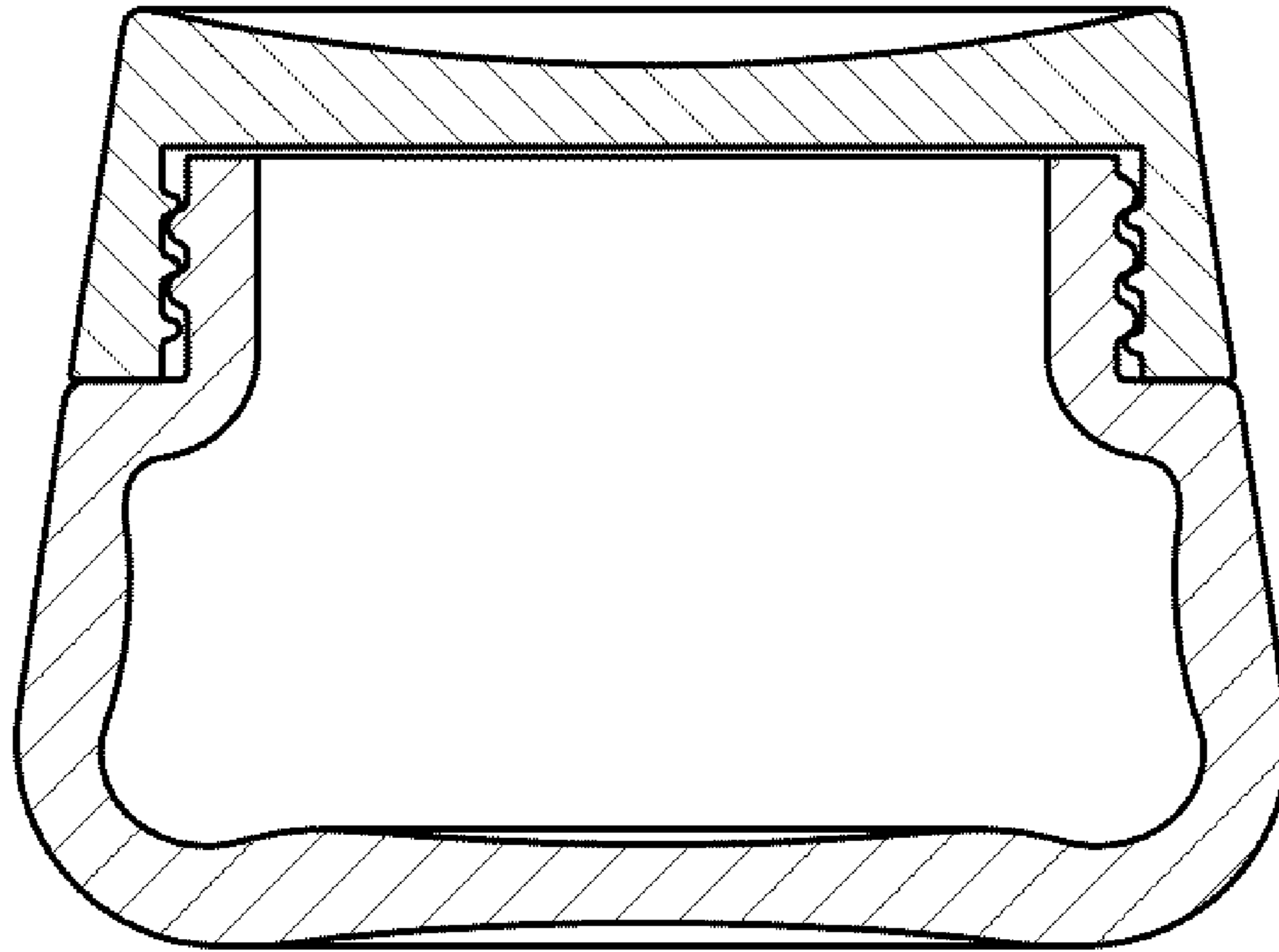


Fig. 6

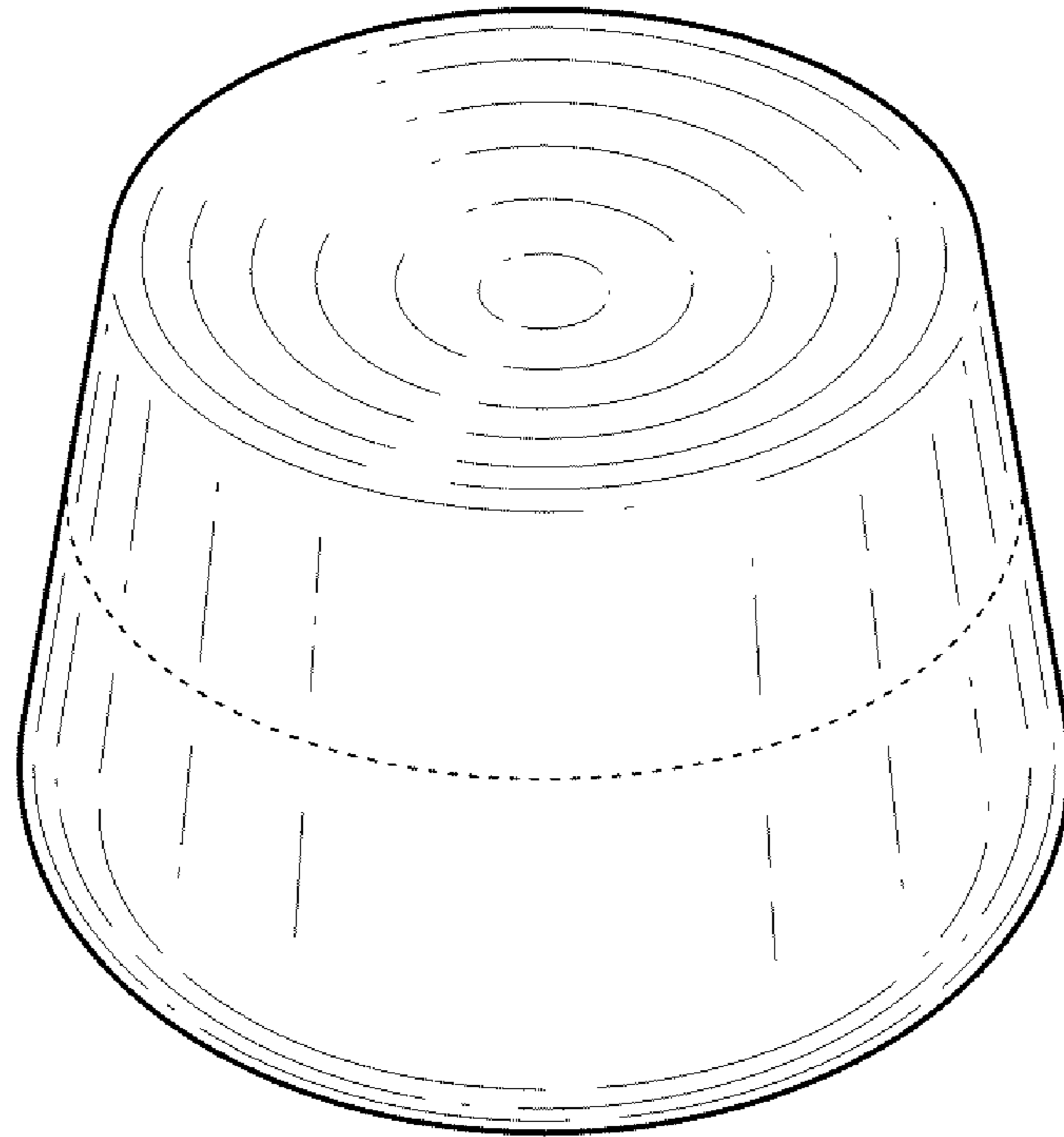


Fig. 7

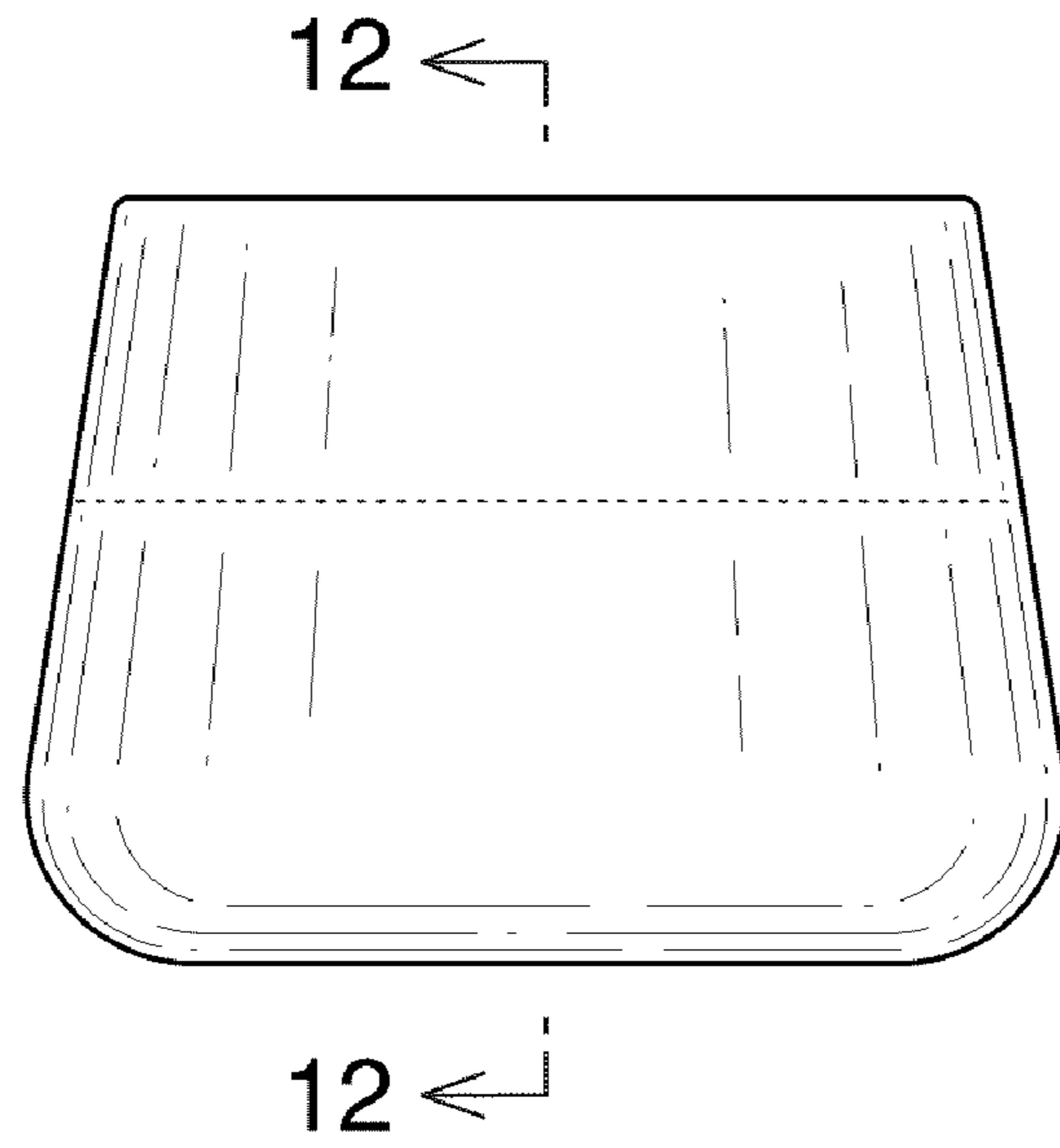


Fig. 8

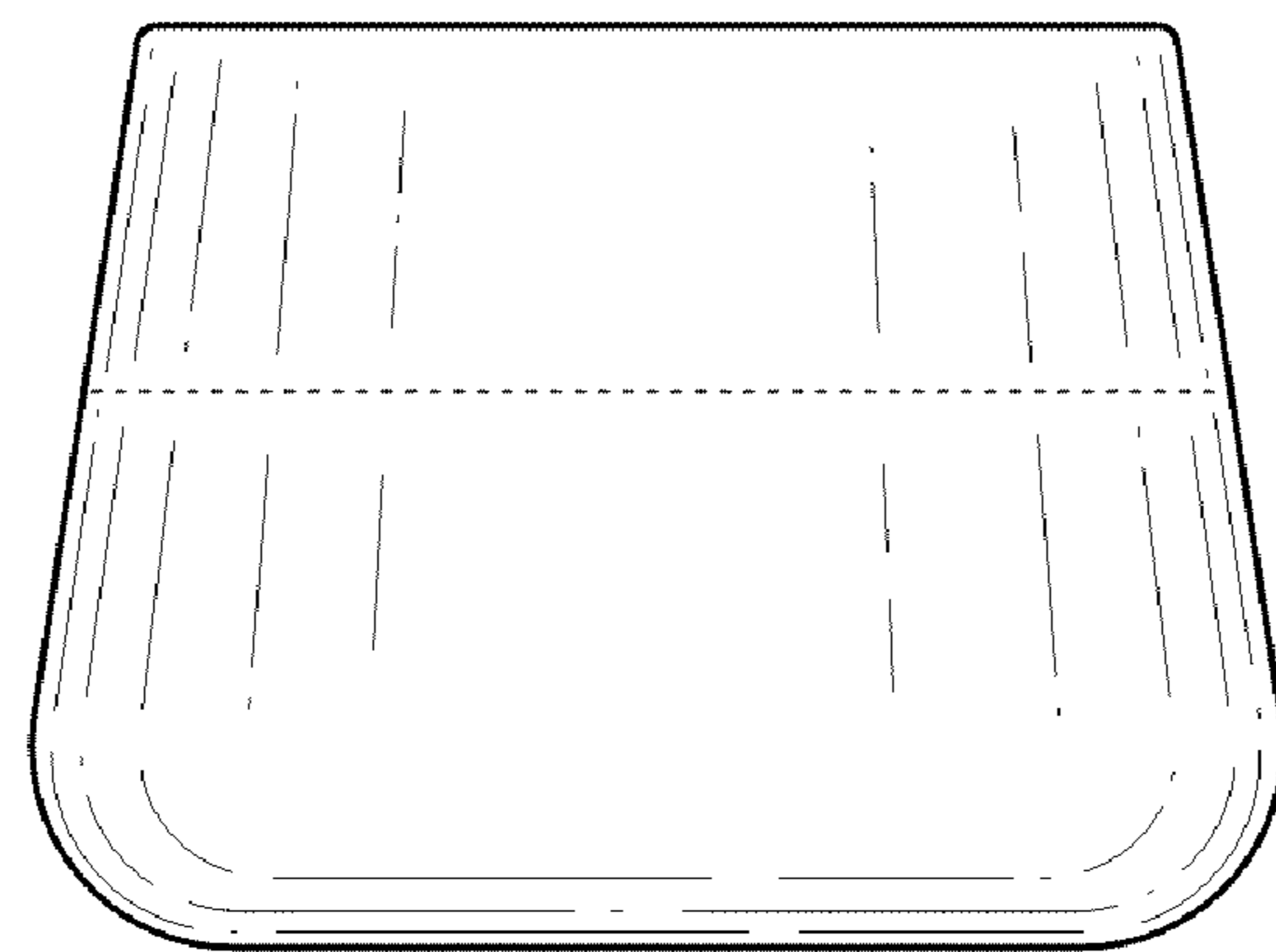


Fig. 9

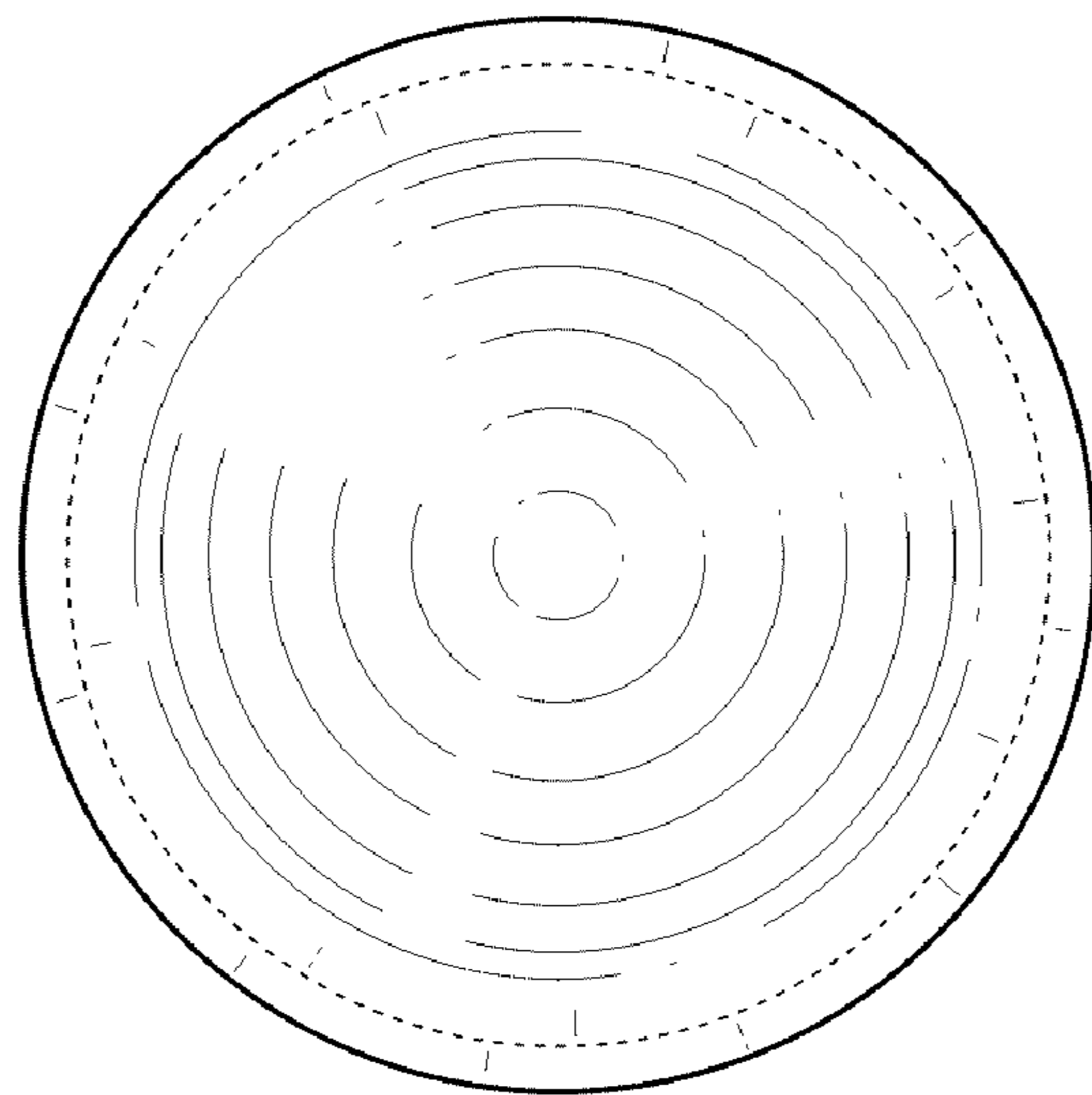


Fig. 10

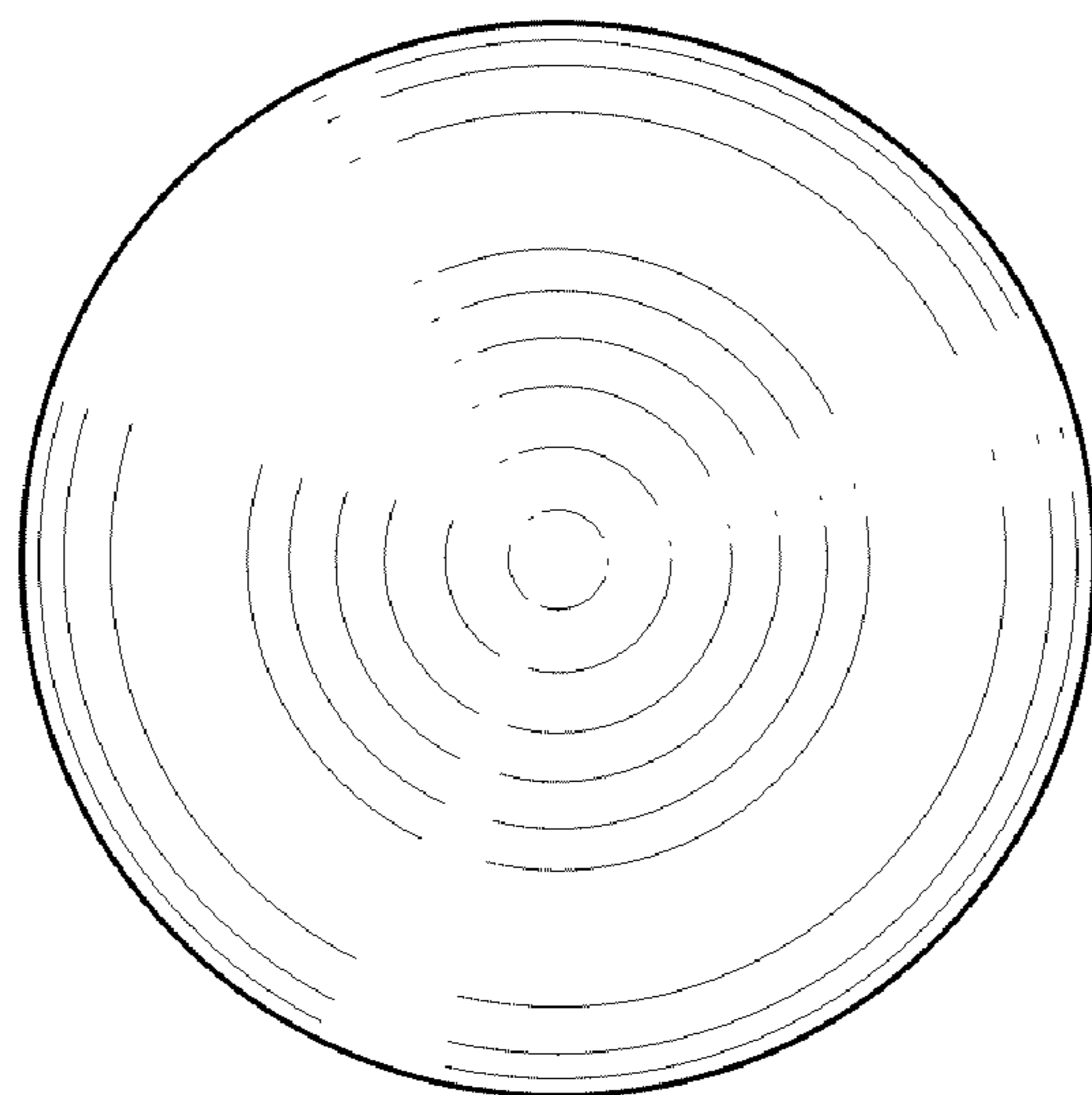


Fig. 11

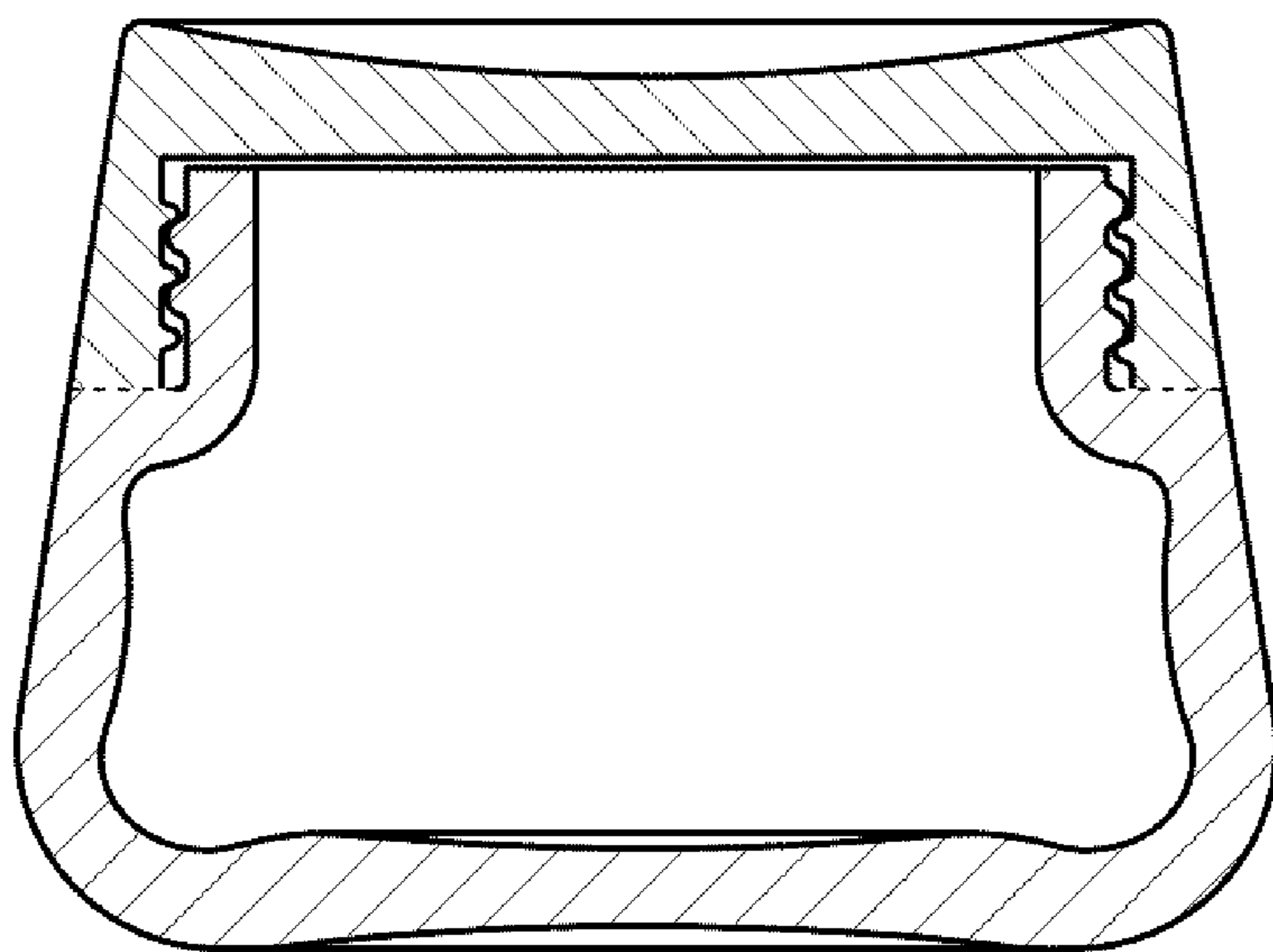


Fig. 12