



US00D651899S

(12) **United States Design Patent**
Frias

(10) **Patent No.:** **US D651,899 S**

(45) **Date of Patent:** **** *Jan. 10, 2012**

(54) **CONTAINER FOR CLEANSING WIPES**

(75) Inventor: **Lucio Frias**, Cincinnati, OH (US)

(73) Assignee: **The Procter & Gamble Company**,
Cincinnati, OH (US)

(**) Term: **14 Years**

(21) Appl. No.: **29/376,279**

(22) Filed: **Oct. 5, 2010**

(51) **LOC (9) Cl.** **09-07**

(52) **U.S. Cl.** **D9/435**

(58) **Field of Classification Search** D9/734,
D9/707, 629, 456, 435, 434, 433, 432, 427,
D9/425, 424, 423, 420, 418, 414, 430; D7/354;
D6/518, 515; D3/294, 302; D27/189; 383/42;
220/4.23, 409, 784, 778, 776, 494, 482, 268,
220/265; D5/61.1; D23/261, 260

See application file for complete search history.

(56) **References Cited**

U.S. PATENT DOCUMENTS

D289,105 S	4/1987	Sussman	
D295,608 S	5/1988	Tonduti	
5,533,621 A	7/1996	Schoal, Jr.	
D374,744 S	10/1996	Dolan et al.	
5,785,179 A	7/1998	Buczynski et al.	
D422,081 S	3/2000	Wolff	
D436,273 S *	1/2001	Lange	D6/519
D442,081 S *	5/2001	Paul	D9/423
D443,508 S	6/2001	Braaten et al.	
D454,689 S	3/2002	Gonda et al.	
D459,124 S	6/2002	Le et al.	
D461,403 S *	8/2002	Chomik et al.	D9/423
D465,685 S *	11/2002	Dellerman et al.	D9/435
D466,807 S	12/2002	Buck et al.	
D467,105 S *	12/2002	Le et al.	D9/435
D467,398 S	12/2002	Kohn	
D469,287 S	1/2003	Mathews	
D473,789 S	4/2003	Crawford et al.	
D485,461 S	1/2004	Sams et al.	

D495,910 S	9/2004	Zaidman	
D531,499 S	11/2006	Zaidman	
D549,119 S	8/2007	Becker	
D561,583 S	2/2008	Nottingham et al.	
D568,170 S	5/2008	Prini	
D594,754 S	6/2009	Dretzka	
D630,939 S *	1/2011	Peters et al.	D9/420
D631,268 S *	1/2011	Yang et al.	D6/518
D633,387 S *	3/2011	Gatto	D9/454
2007/0000936 A1	1/2007	Wu et al.	
2008/0253697 A1	10/2008	O'Neill et al.	

OTHER PUBLICATIONS

U.S. Appl. No. 61/386,206, filed Sep. 24, 2010, Richard Shane Mays, et al.

(Continued)

Primary Examiner — Susan Bennett Hattan

(74) *Attorney, Agent, or Firm* — Amy M. Foust; Abbey A. Lopez

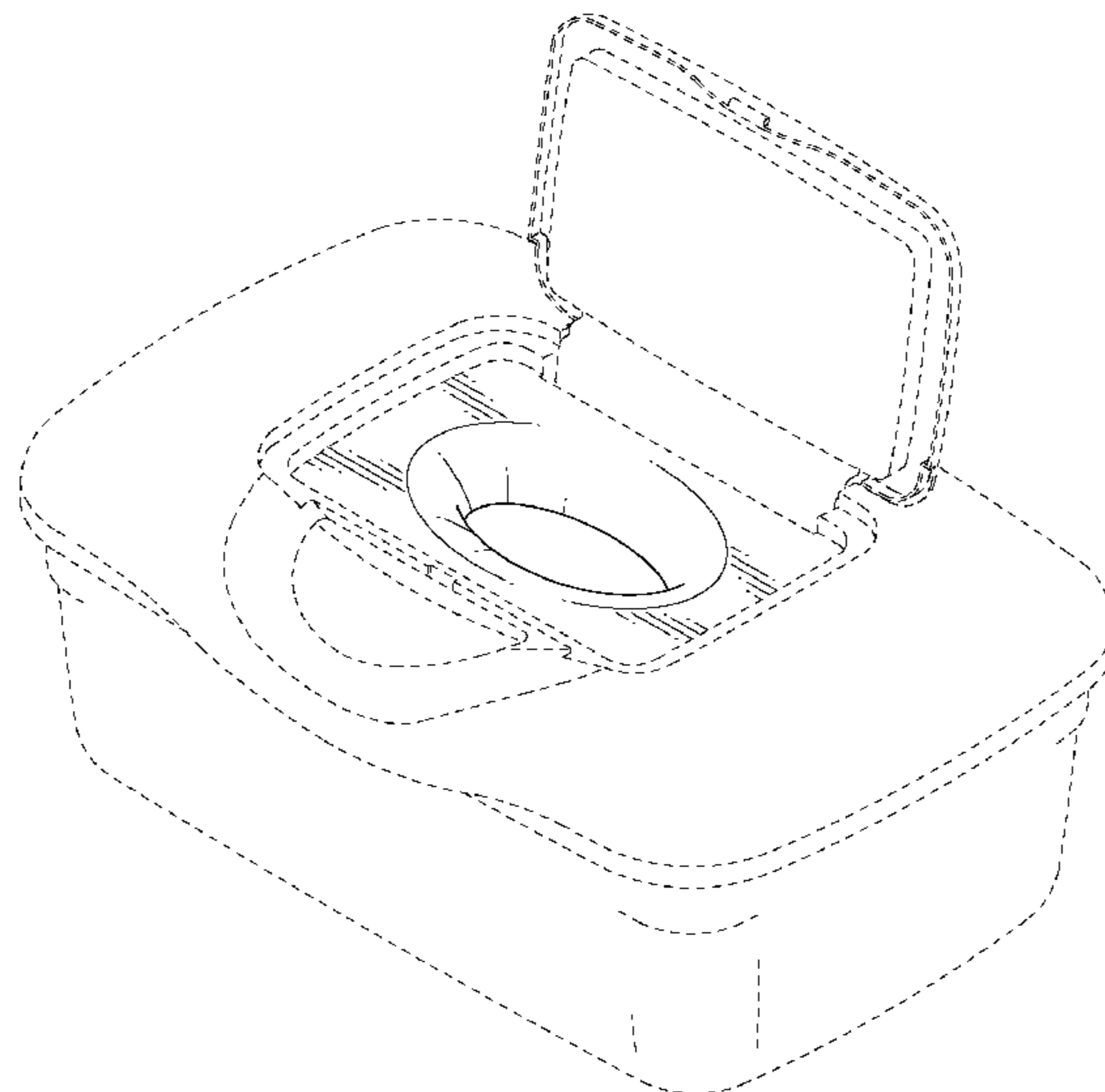
(57) **CLAIM**

The ornamental design for a container for cleansing wipes, as shown and described.

DESCRIPTION

FIG. 1 is a perspective view of a container for cleansing wipes showing my new design;
FIG. 2 is a front elevational view thereof;
FIG. 3 is a rear elevational view thereof;
FIG. 4 is a left side elevational view thereof;
FIG. 5 is a right side elevational view thereof;
FIG. 6 is a top elevational view thereof;
FIG. 7 is a bottom elevational view thereof;
FIG. 8 is a sectional view thereof along plane 8 of FIG. 4;
FIG. 9 is a sectional view thereof along plane 9 of FIG. 6; and,
FIG. 10 is a sectional view thereof along plane 10 of FIG. 6.
The broken lines in the drawing depict environmental subject matter only and form no part of the claimed design.

1 Claim, 5 Drawing Sheets



US D651,899 S

Page 2

OTHER PUBLICATIONS

U.S. Appl. No. 29/376,269, filed Oct. 5, 2010, Lucio Frias.
U.S. Appl. No. 29/376,270, filed Oct. 5, 2010, Lucio Frias.
U.S. Appl. No. 29/376,272, filed Oct. 5, 2010, Lucio Frias.

U.S. Appl. No. 29/376,273, filed Oct. 5, 2010, Lucio Frias.
U.S. Appl. No. 29/376,276, filed Oct. 5, 2010, Lucio Frias.
U.S. Appl. No. 29/376,277, filed Oct. 5, 2010, Lucio Frias.

* cited by examiner

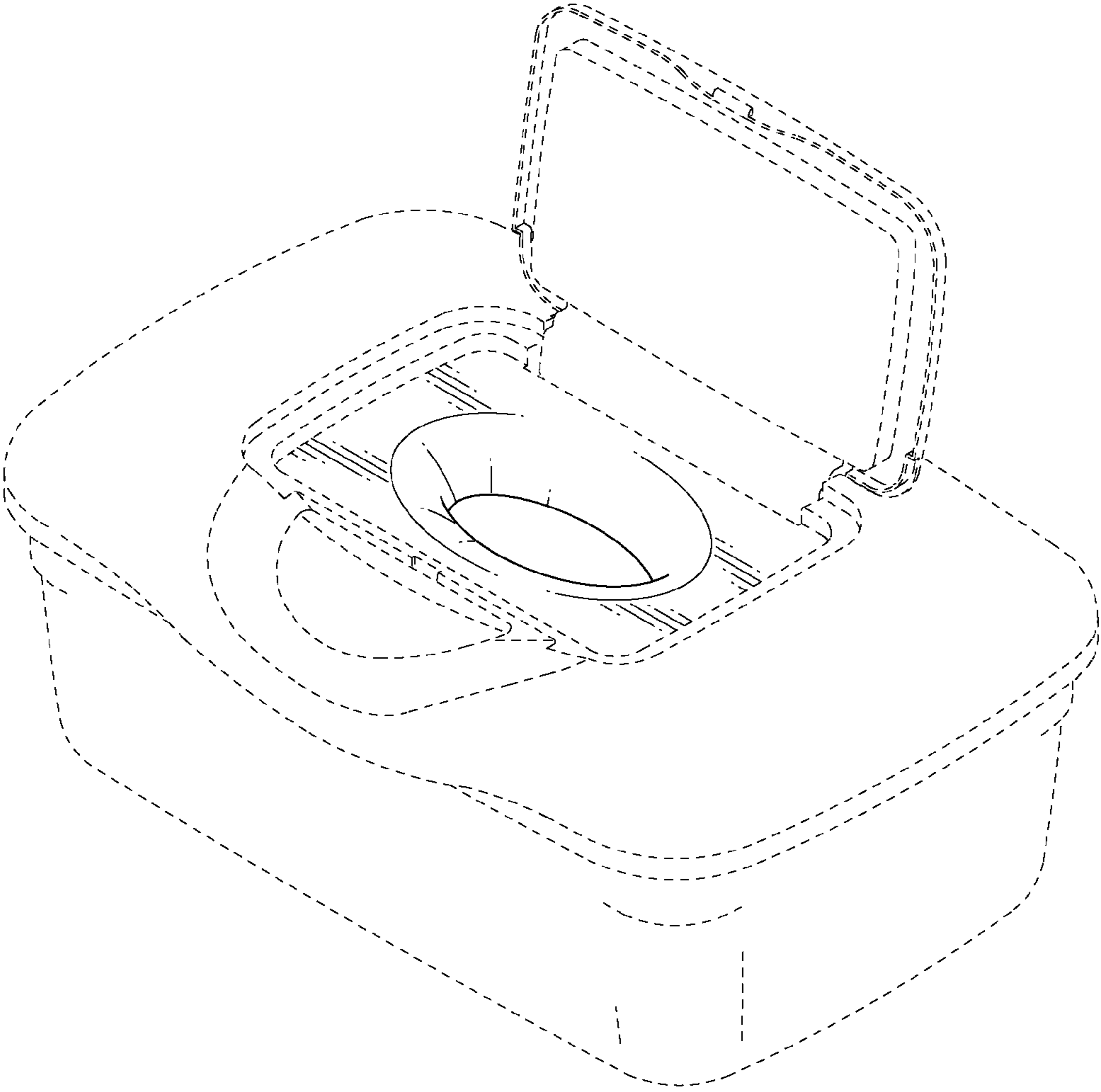


FIG. 1

FIG. 2

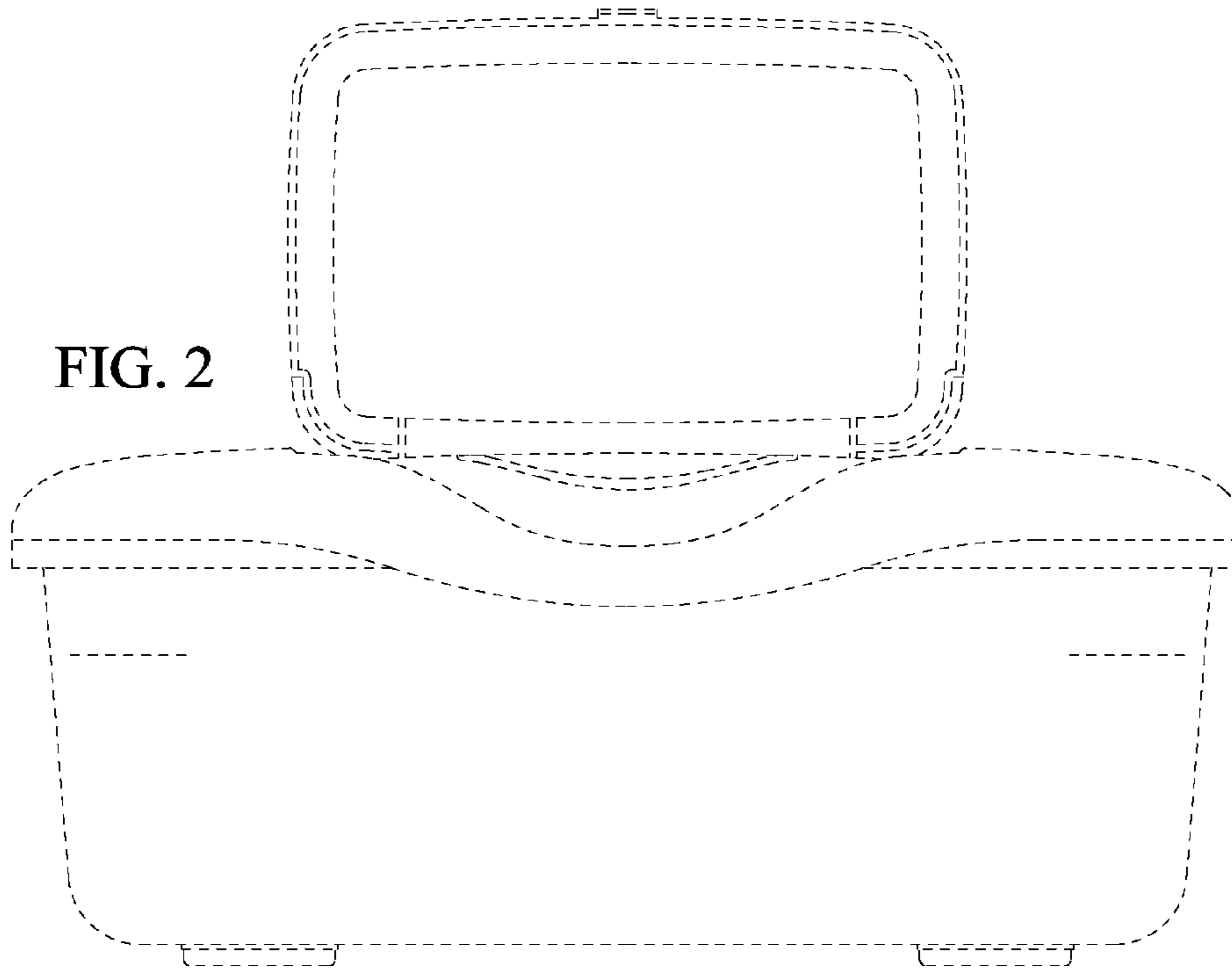
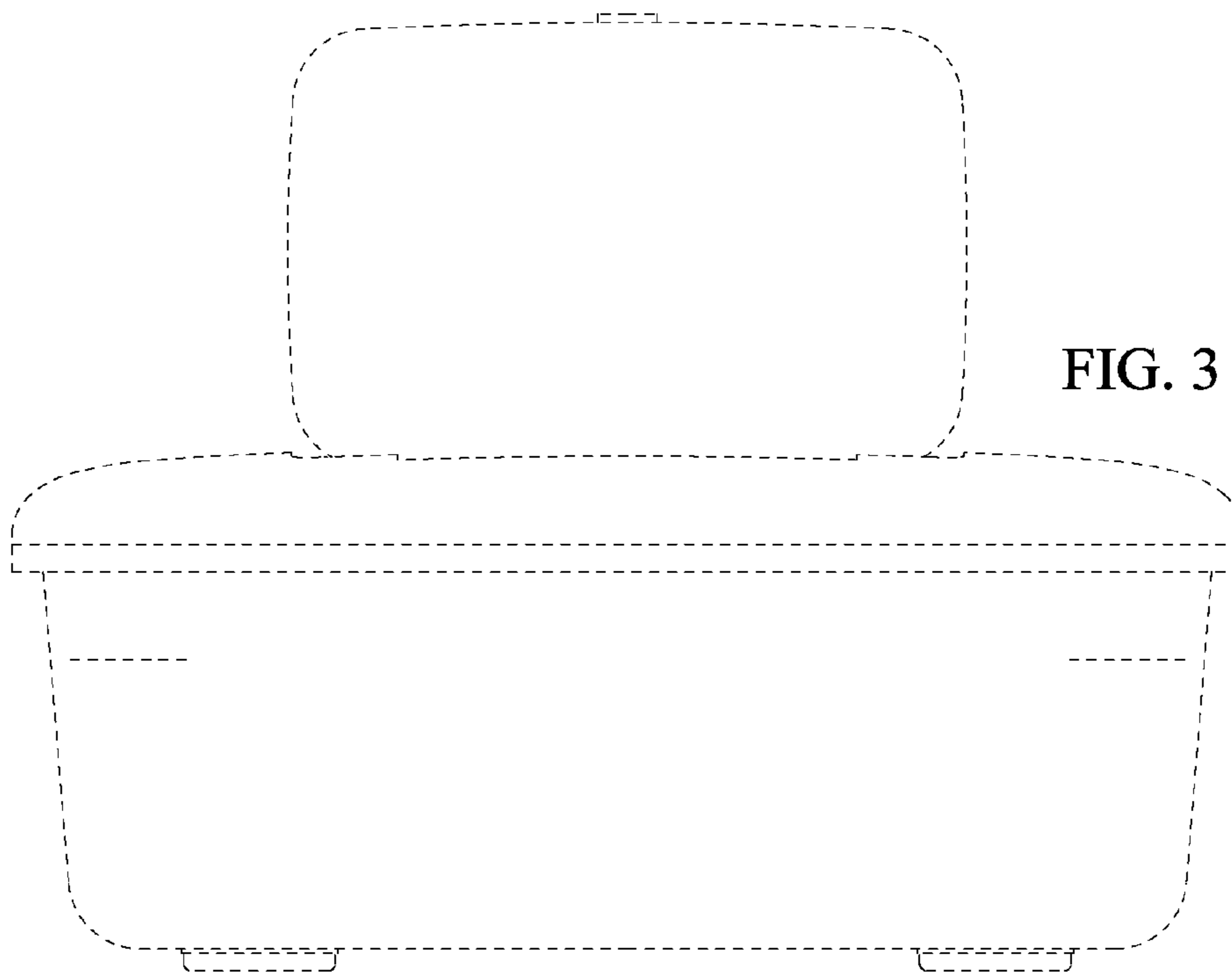


FIG. 3



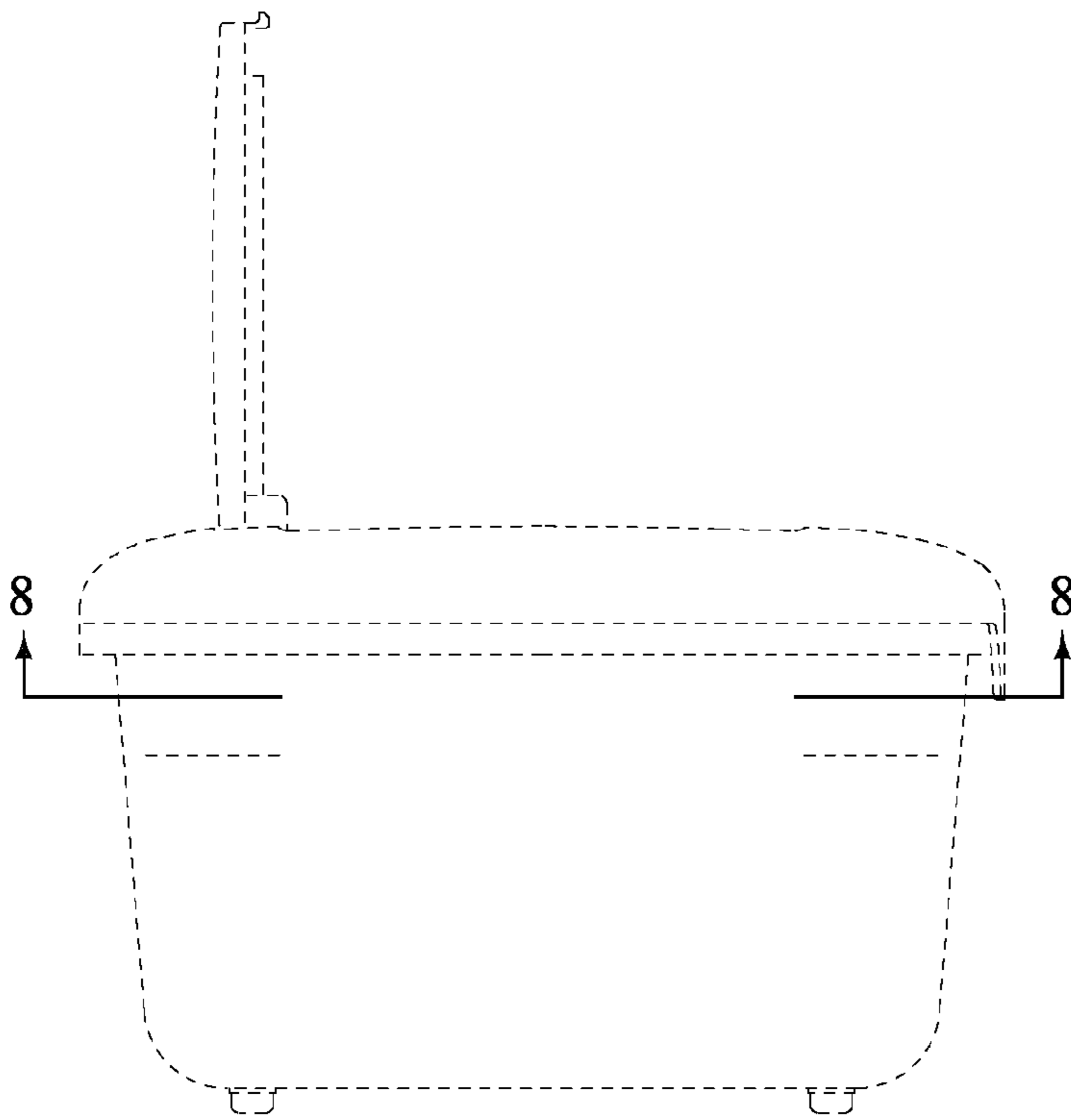


FIG. 4

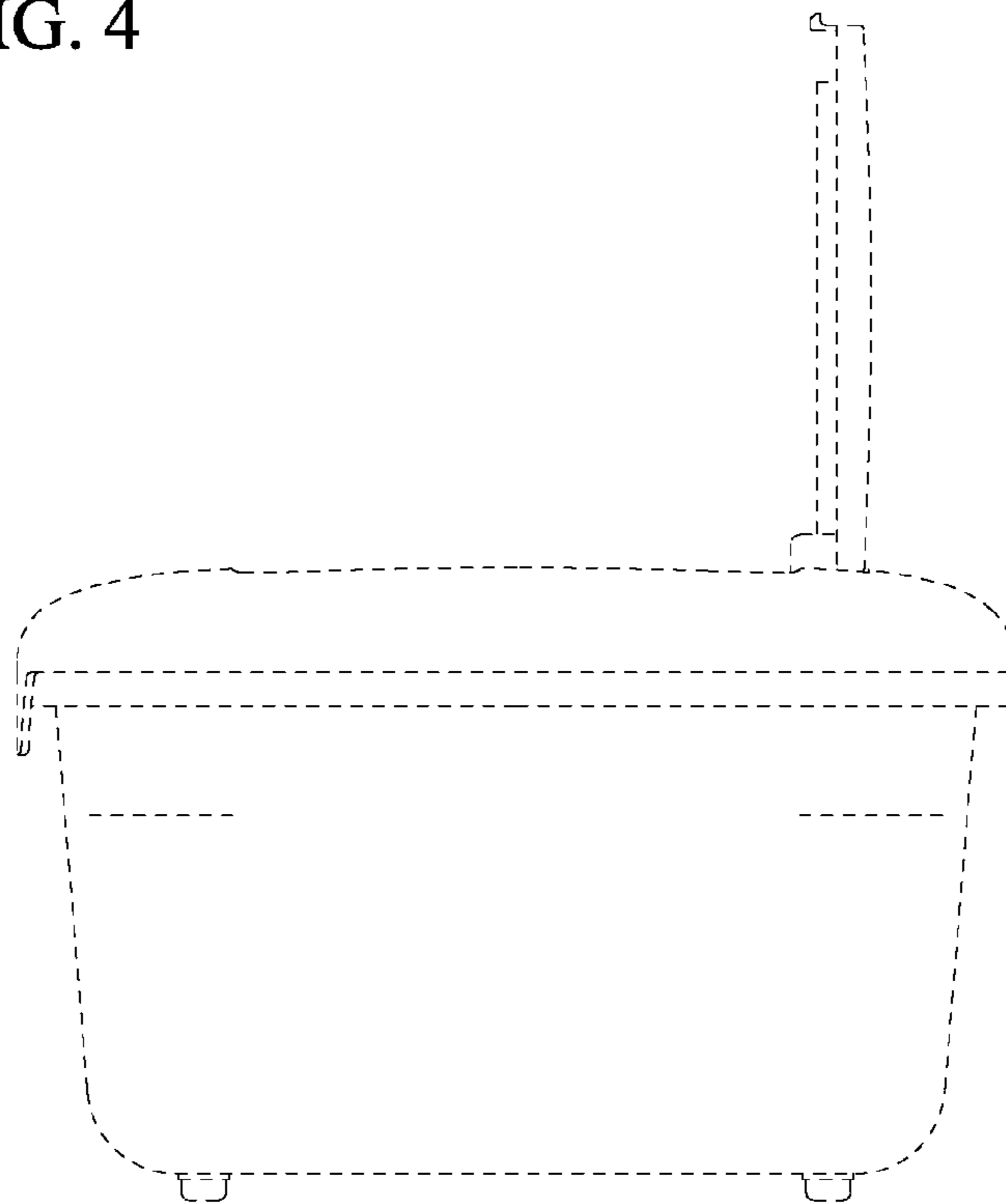


FIG. 5

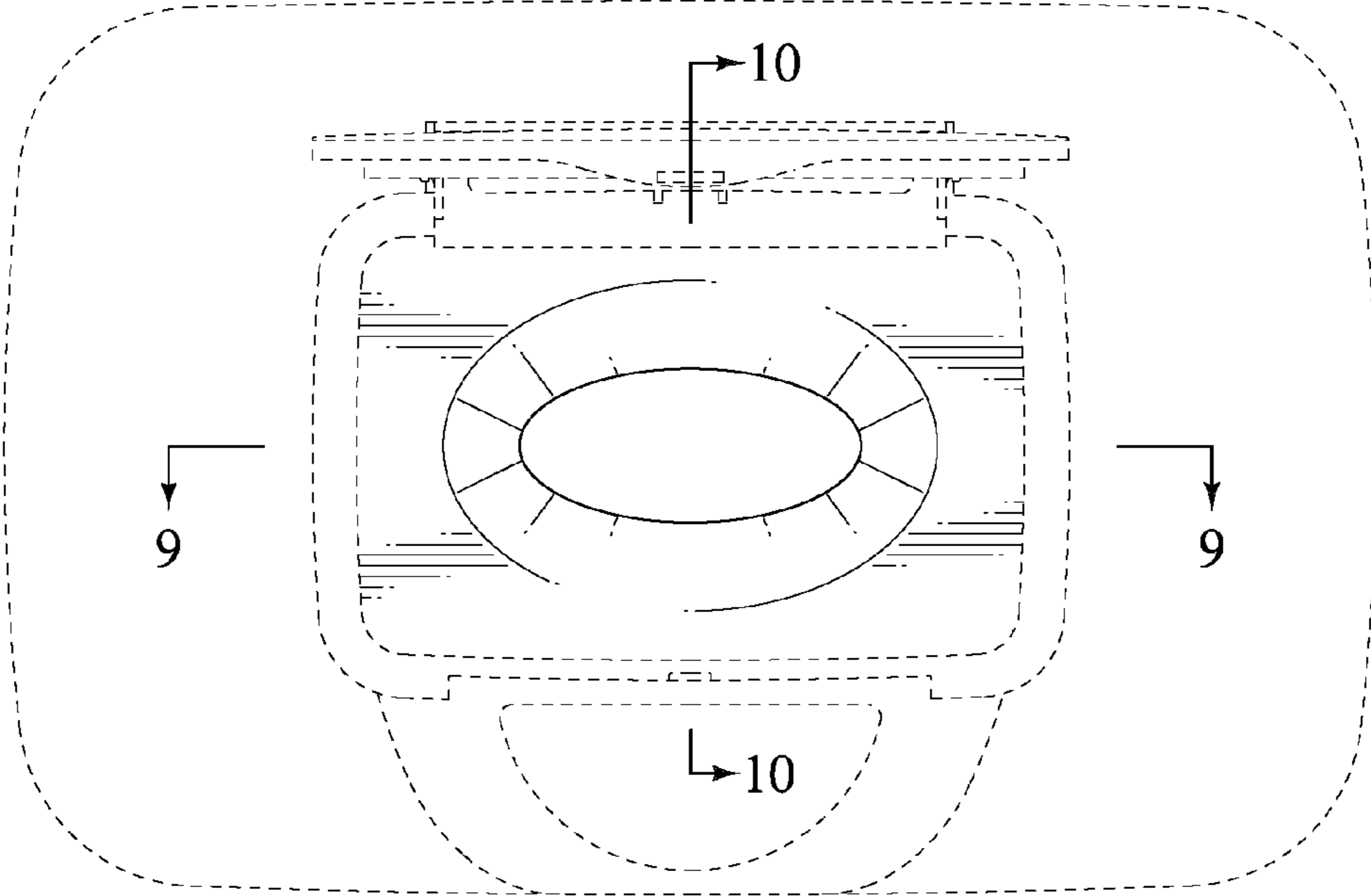


FIG. 6

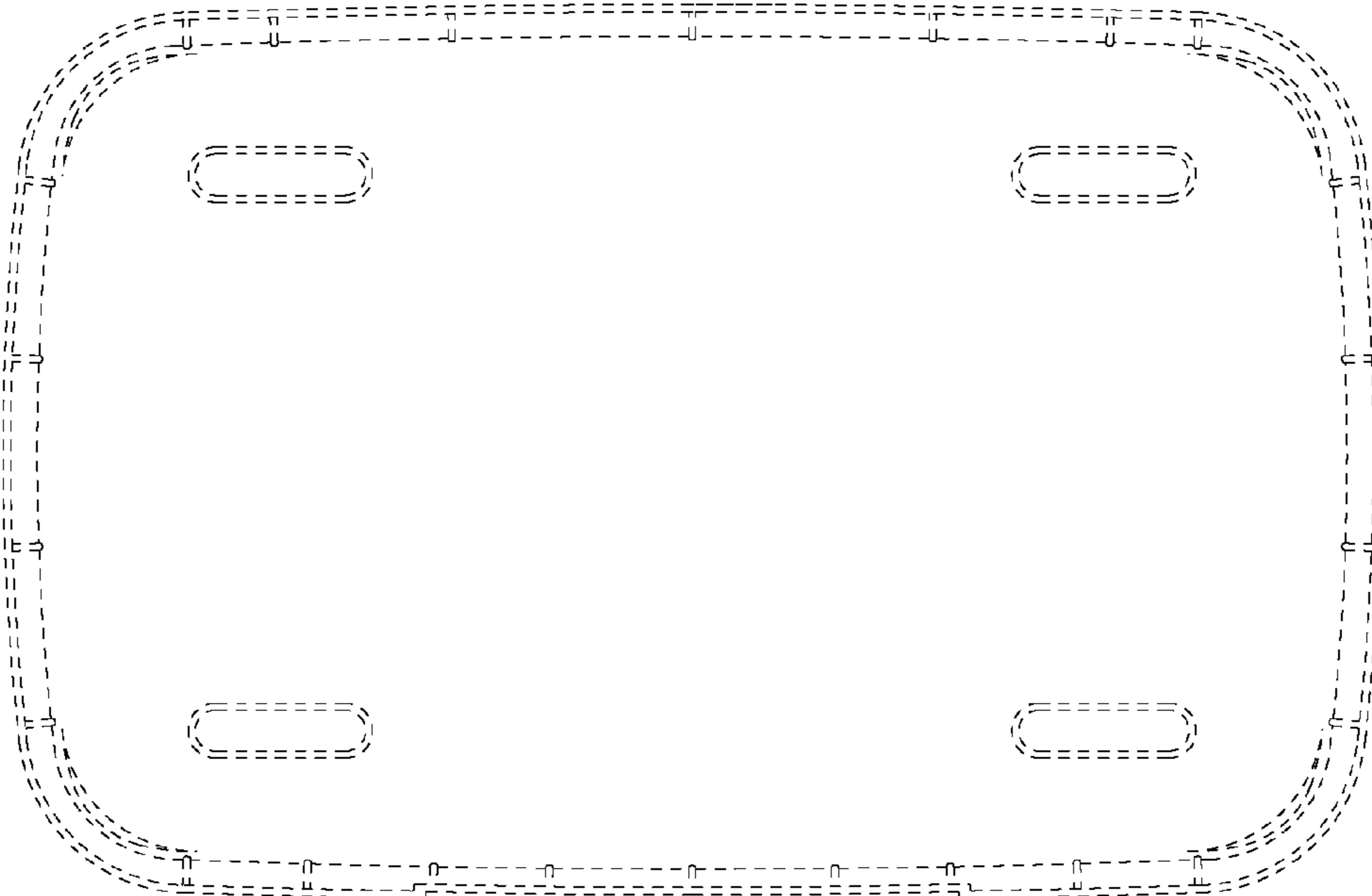


FIG. 7

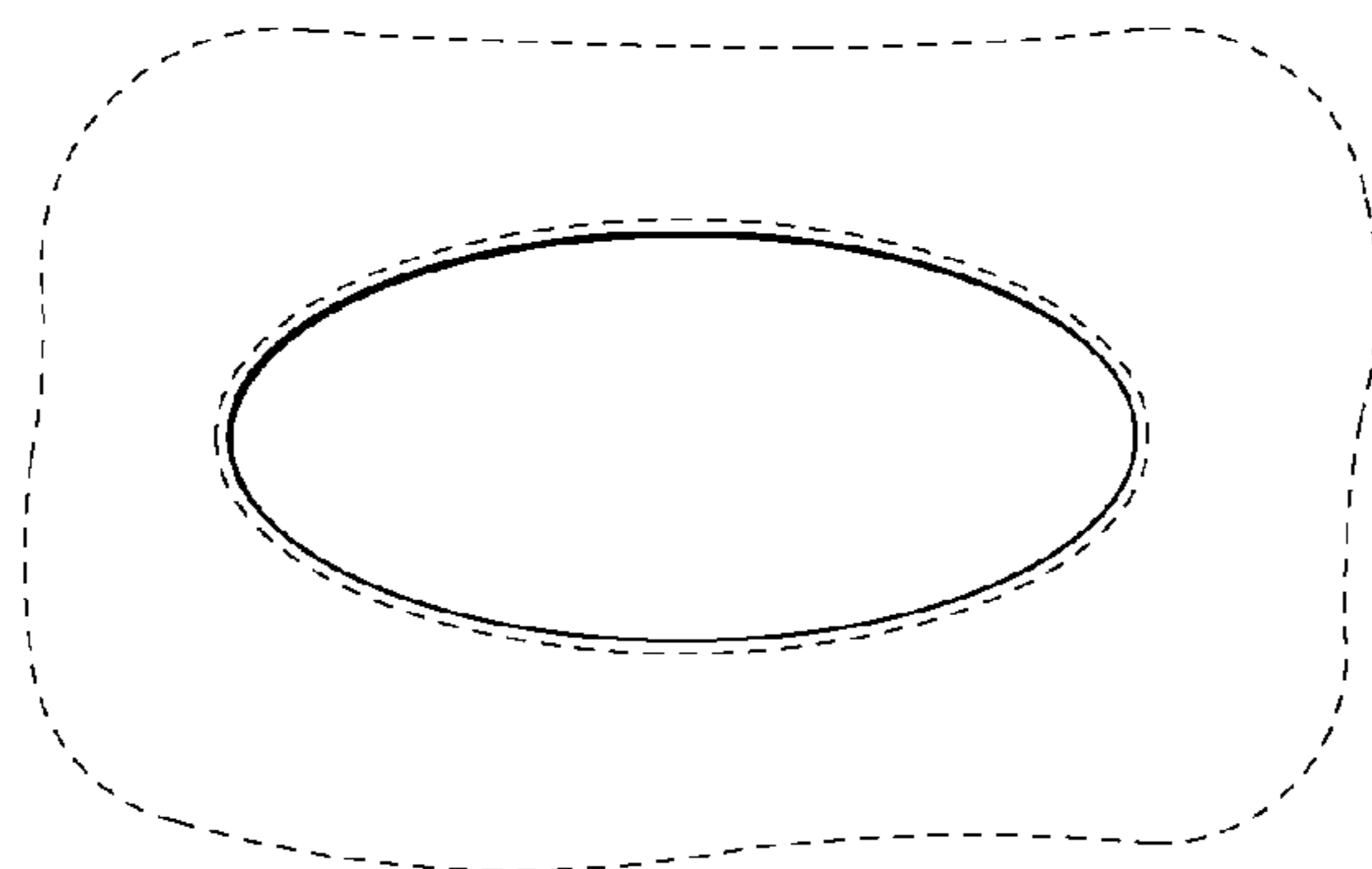


FIG. 8

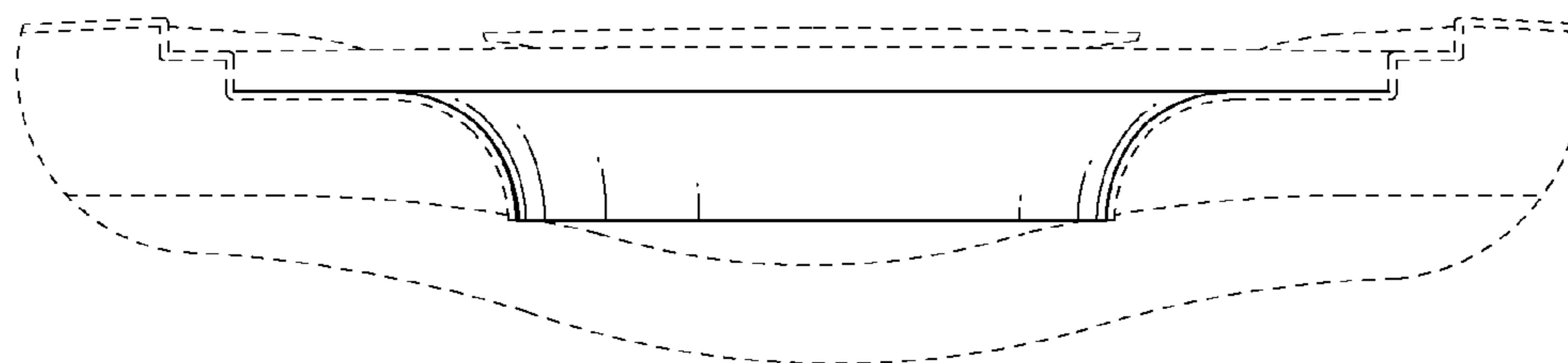


FIG. 9

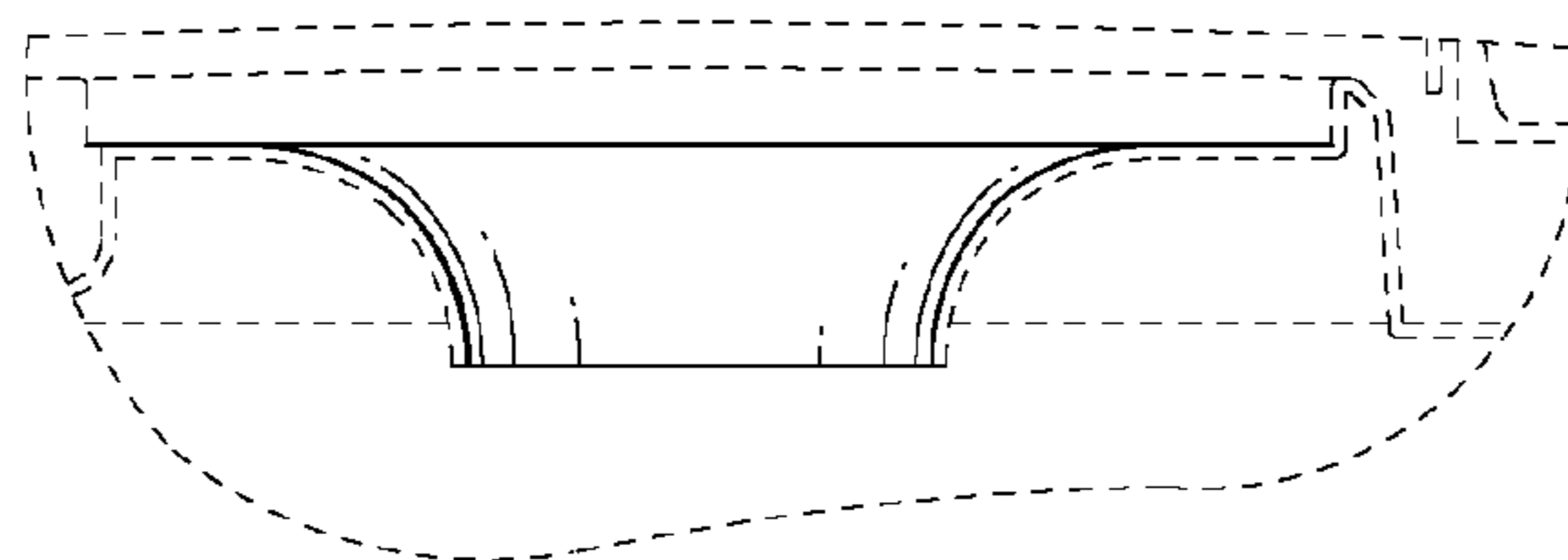


FIG. 10