



US00D651893S

(12) **United States Design Patent**  
**Riales**

(10) **Patent No.:** **US D651,893 S**

(45) **Date of Patent:** **\*\* \*Jan. 10, 2012**

(54) **SIDE DISH CONTAINER COMPRISING A LID AND A BASE**

2006/0000882 A1 \* 1/2006 Darzinskas ..... 229/403  
2007/0284426 A1 \* 12/2007 Lo ..... 229/403  
2009/0020597 A1 \* 1/2009 D'Amato ..... 229/403  
2010/0072268 A1 \* 3/2010 Johnson et al. .... 229/403

(75) Inventor: **Brent Riales**, Paragould, AR (US)

(73) Assignee: **Anchor Packaging, Inc.**, Saint Louis, MO (US)

(\*) Notice: This patent is subject to a terminal disclaimer.

(\*\*) Term: **14 Years**

(21) Appl. No.: **29/365,763**

(22) Filed: **Jul. 14, 2010**

(51) **LOC (9) Cl.** ..... **09-03**

(52) **U.S. Cl.** ..... **D9/429**

(58) **Field of Classification Search** ..... D9/424,  
D9/425, 428, 429, 431; D7/530, 531, 608;  
229/400-406, 932, 906.1; 220/656-659,  
220/669-675, 912, 4.21-4.27; 206/499,  
206/508, 557

See application file for complete search history.

(56) **References Cited**

U.S. PATENT DOCUMENTS

3,045,887 A 7/1962 Caine  
3,194,468 A 7/1965 Baron  
D265,462 S 7/1982 Andrulionis et al.  
4,446,969 A 5/1984 Tyler  
D297,709 S \* 9/1988 Willerup ..... D9/778  
D324,324 S \* 3/1992 Picozza ..... D7/565  
6,217,918 B1 \* 4/2001 Oh et al. .... 426/89  
D454,304 S \* 3/2002 Kim et al. .... D9/429  
D468,202 S \* 1/2003 Chou ..... D9/429  
D473,788 S \* 4/2003 Chen et al. .... D9/428  
D546,626 S 7/2007 Chou  
D551,909 S \* 10/2007 Eide et al. .... D7/565  
D574,703 S \* 8/2008 Cassol et al. .... D9/416  
D597,793 S 8/2009 Krueger  
D603,222 S 11/2009 Krueger  
D638,290 S \* 5/2011 Cimmerer et al. .... D9/429

OTHER PUBLICATIONS

Co-pending U.S. Appl. No. 29/365,532, filed Jul. 9, 2010.  
Co-pending U.S. Appl. No. 29/365,543, filed Jul. 9, 2010.  
Co-pending U.S. Appl. No. 29/365,772, filed Jul. 14, 2010.  
Co-pending U.S. Appl. No. 29/365,771, filed Jul. 14, 2010.  
Co-pending U.S. Appl. No. 29/365,767, filed Jul. 14, 2010.  
Co-pending U.S. Appl. No. 29/365,761, filed Jul. 14, 2010.  
Co-pending U.S. Appl. No. 29/365,757, filed Jul. 14, 2010.  
Co-pending U.S. Appl. No. 29/365,754, filed Jul. 14, 2010.  
Co-pending U.S. Appl. No. 29/365,749, filed Jul. 14, 2010.  
Co-pending U.S. Appl. No. 29/365,751, filed Jul. 14, 2010.  
Co-pending U.S. Appl. No. 29/365,742, filed Jul. 14, 2010.  
Co-pending U.S. Appl. No. 29/354,684, filed Jan. 27, 2010.

\* cited by examiner

*Primary Examiner* — Thomas Johannes

(74) *Attorney, Agent, or Firm* — Evans & Dixon, LLC; Don V. Kelly

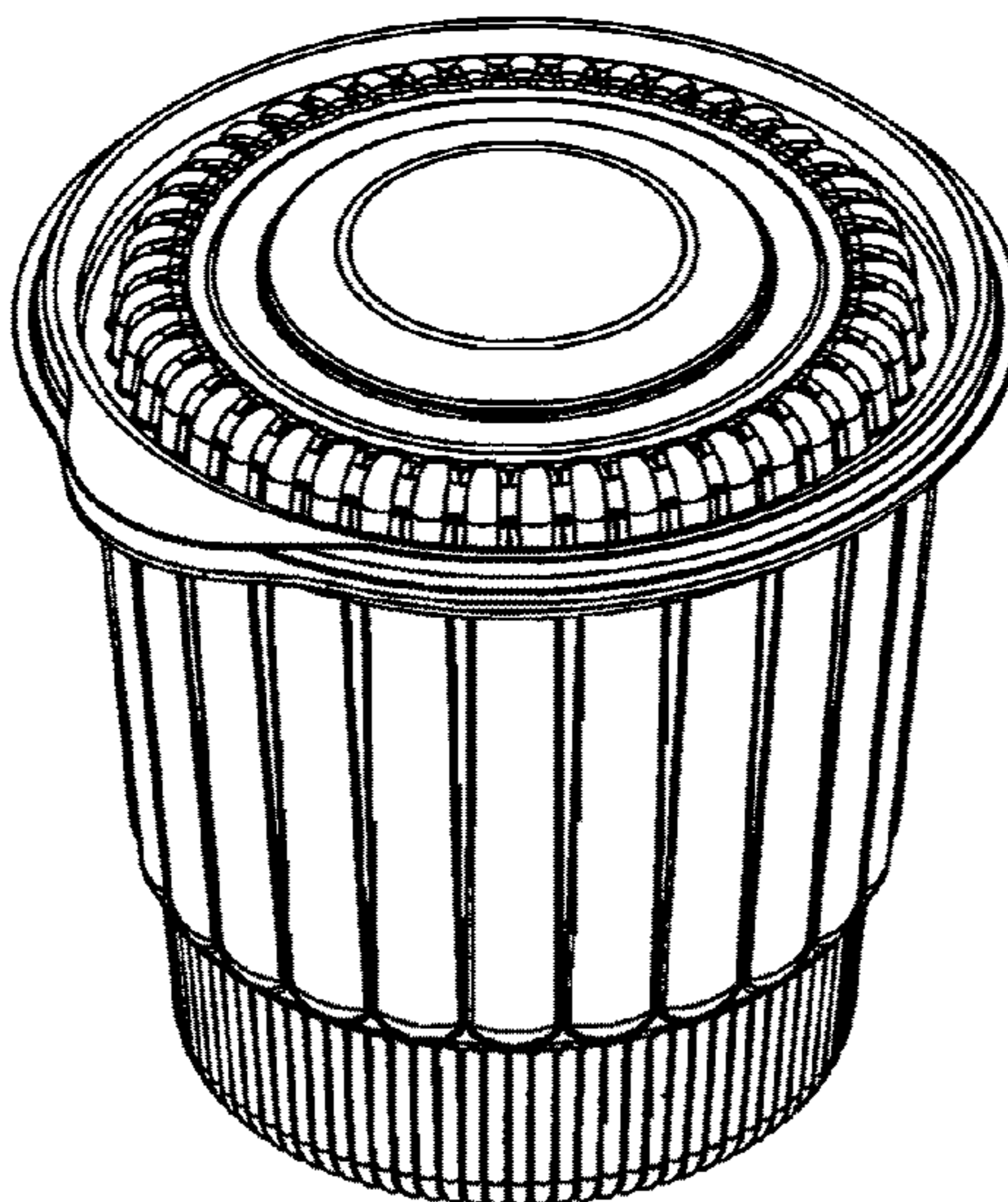
(57) **CLAIM**

The ornamental design for a side dish container comprising a lid and a base, as shown and described.

**DESCRIPTION**

FIG. 1 is a front perspective view of a side dish container comprising a lid and a base showing my new design; FIG. 2 is a top plan view thereof; FIG. 3 is a bottom plan view thereof; FIG. 4 is a front elevation view thereof; FIG. 5 is a rear elevation view thereof; FIG. 6 is a left side elevation view thereof; and, FIG. 7 is a right side elevation view thereof. The broken line portion of the figure drawings is included to show unclaimed subject matter only and forms no part of the claimed design.

**1 Claim, 7 Drawing Sheets**



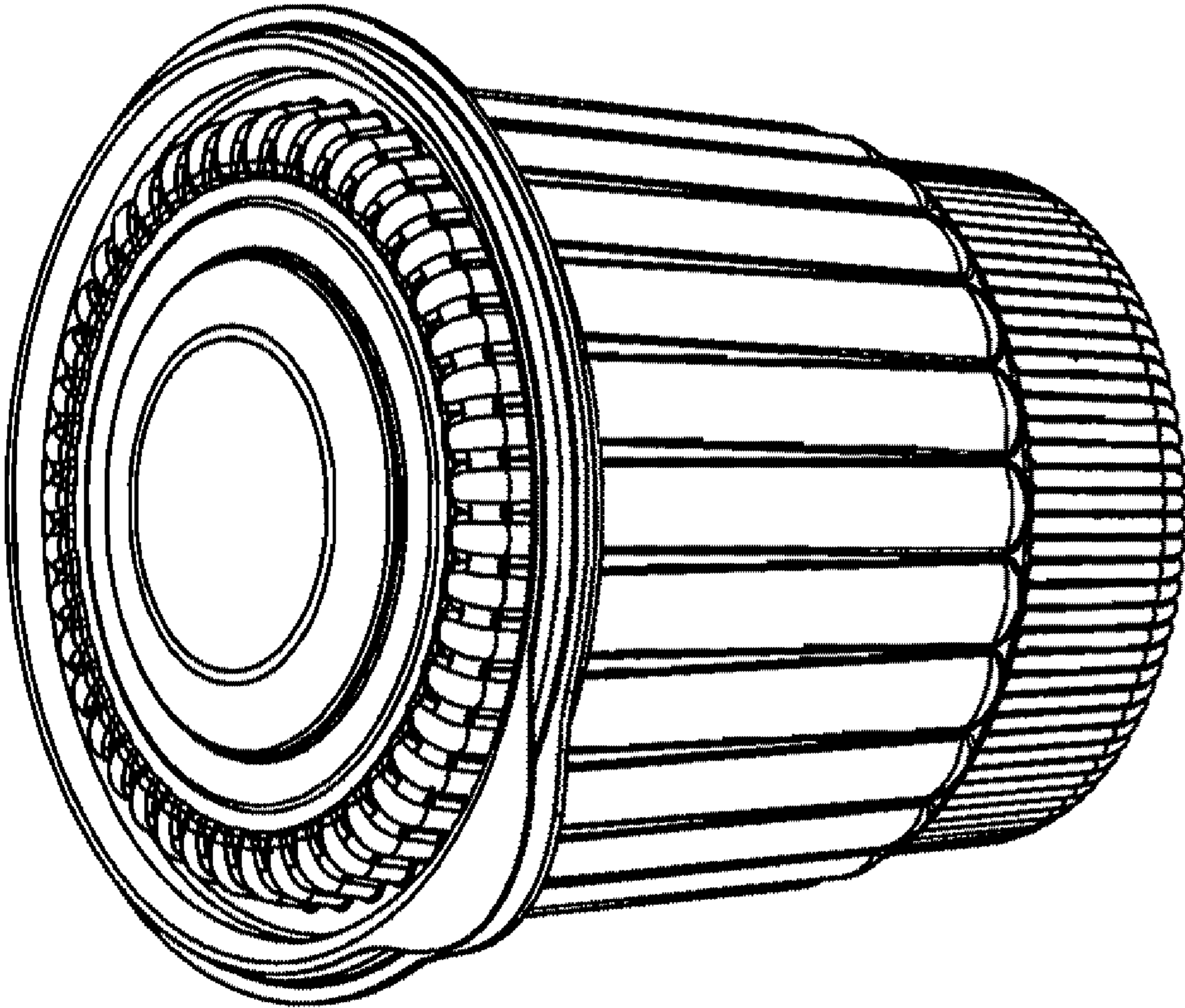


FIGURE 1

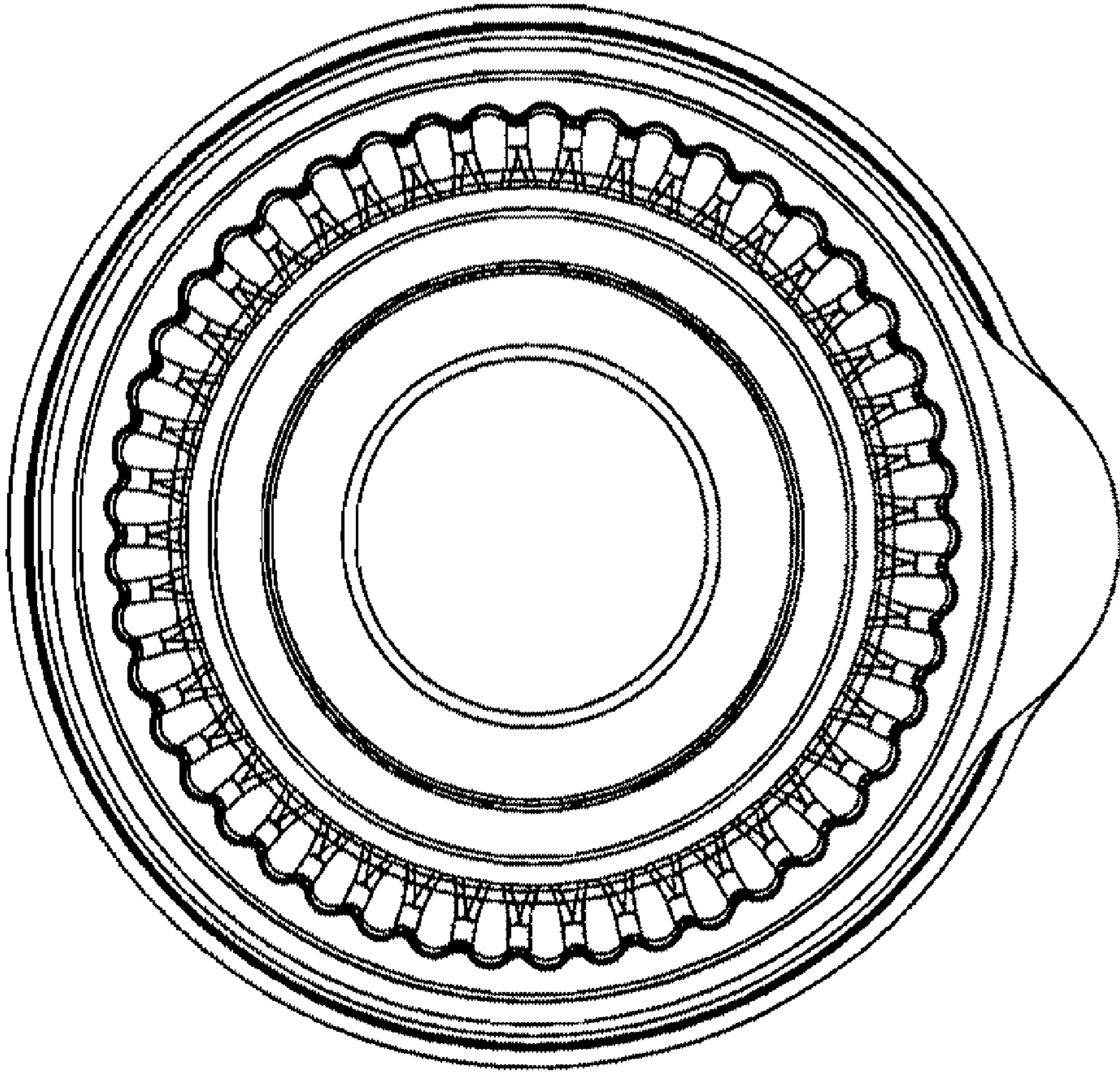


FIGURE 2

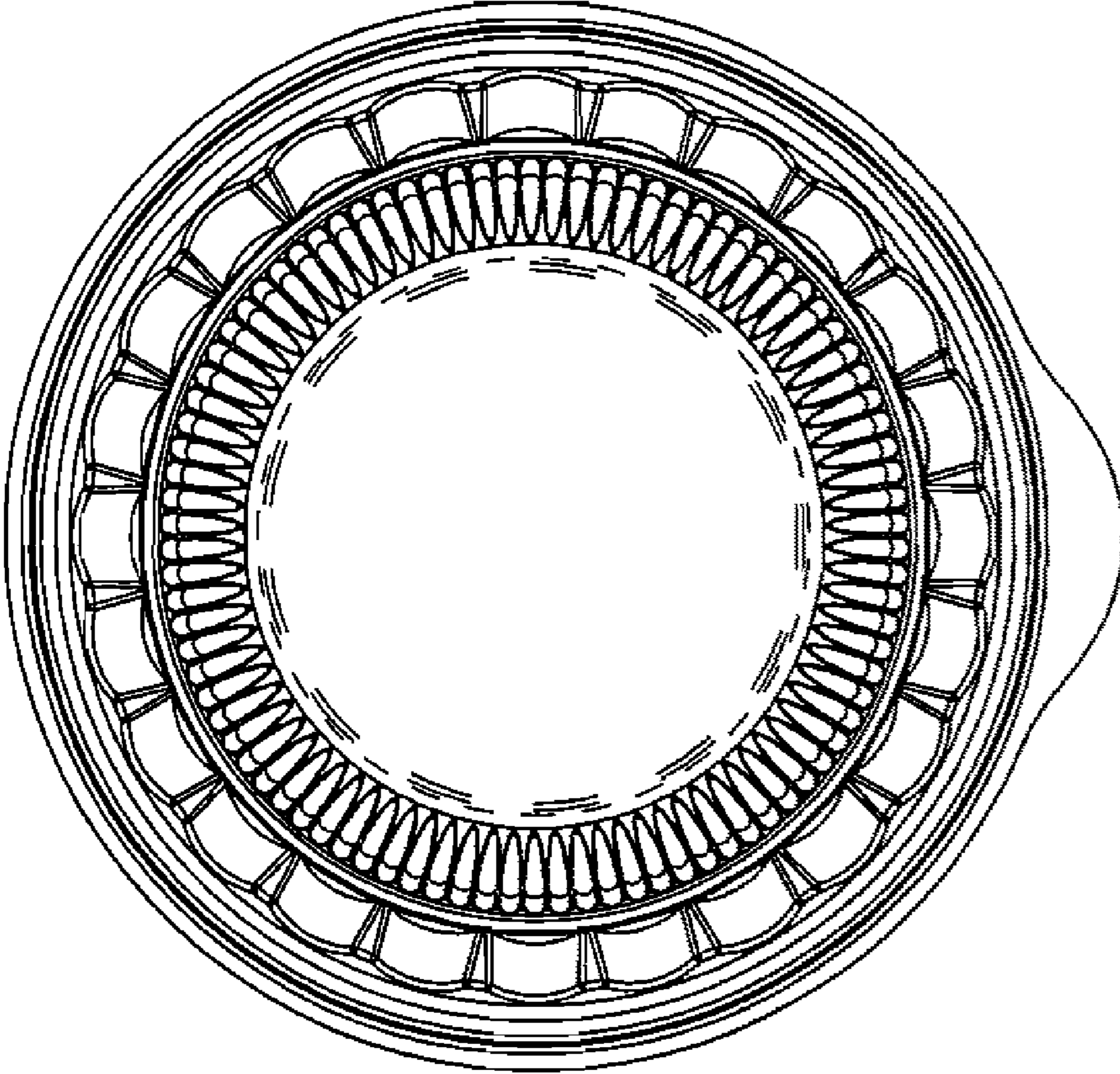


FIGURE 3

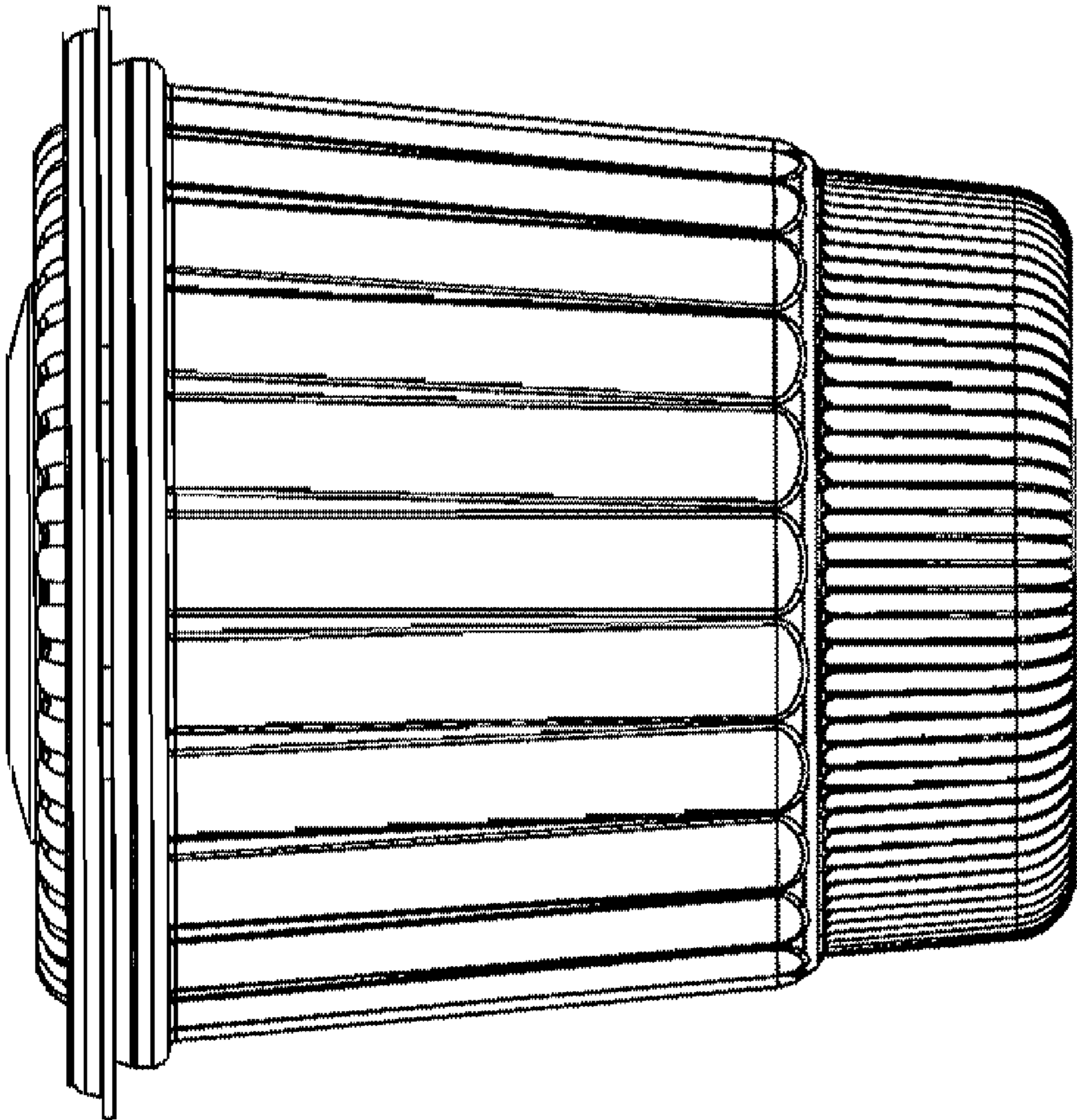


FIGURE 4

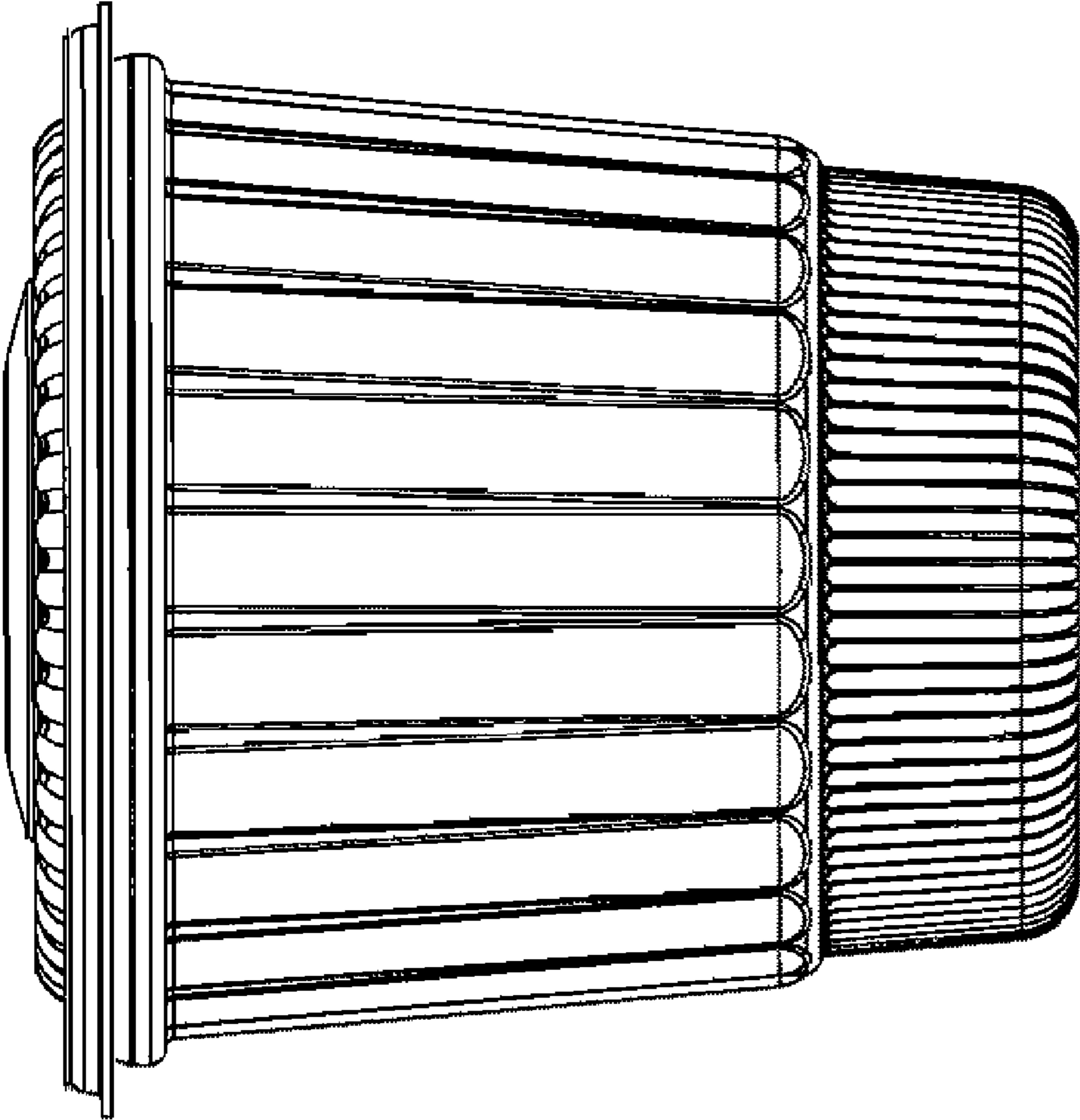


FIGURE 5

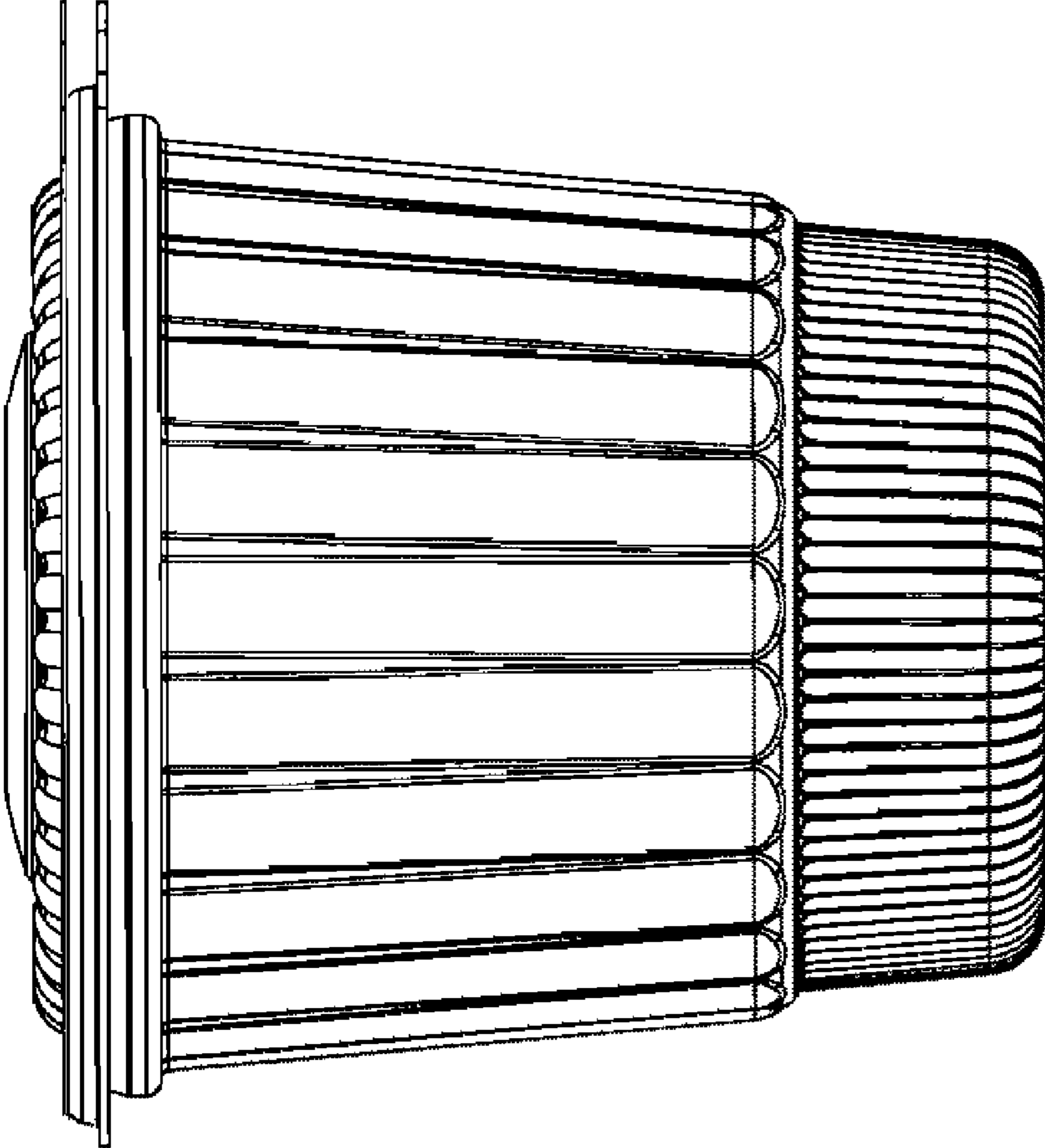


FIGURE 6

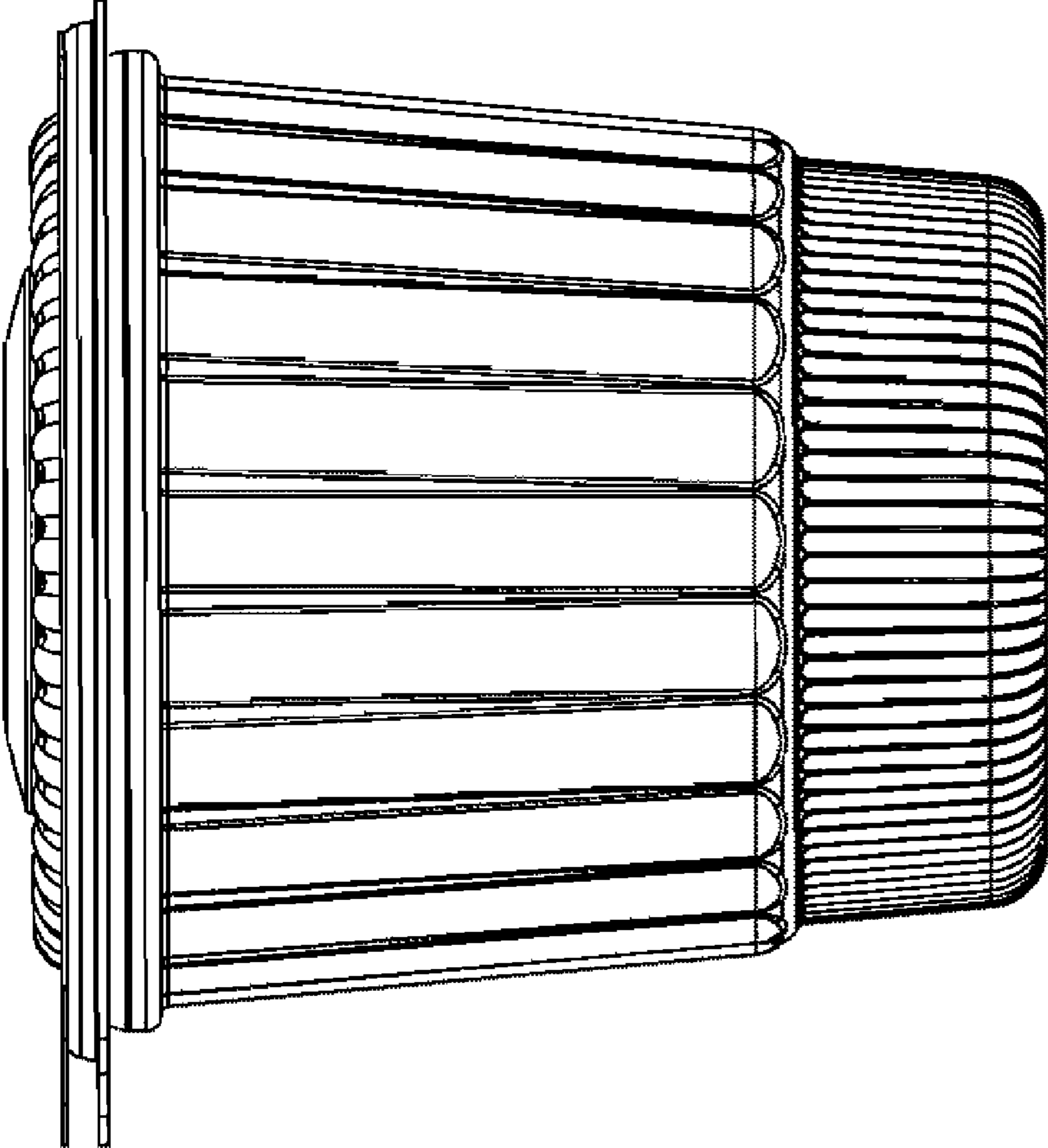


FIGURE 7