



US00D651889S

(12) **United States Design Patent**
Mahaffey et al.

(10) **Patent No.:** **US D651,889 S**
(45) **Date of Patent:** **** Jan. 10, 2012**

(54) **SECURITY APPARATUS**

(75) Inventors: **Robert Mahaffey**, Vancouver (CA);
John Hung, Vancouver (CA); **John Tan**,
Vancouver (CA); **Will Ali**, Vancouver
(CA); **Ryan White**, Salem, MA (US);
Michael Xiao Lei Liang, Vancouver
(CA)

1,270,205 A 6/1918 Pongracz
1,387,442 A 8/1921 Lee
1,432,546 A 10/1922 Gillom
1,452,471 A 4/1923 Kline
1,468,955 A 9/1923 Bresee
1,468,958 A 9/1923 Champion
1,470,937 A 10/1923 Schou
1,534,936 A 4/1925 Fishchbach
1,672,333 A 6/1928 Miller
1,728,902 A 9/1929 Cohen

(73) Assignee: **Acco Brands USA LLC**, Lincolnshire,
IL (US)

(Continued)

(**) Term: **14 Years**

FOREIGN PATENT DOCUMENTS

CA 454901 A 3/1949

(Continued)

(21) Appl. No.: **29/373,522**

(22) Filed: **Apr. 19, 2011**

OTHER PUBLICATIONS

(51) **LOC (9) Cl.** **08-07**

(52) **U.S. Cl.** **D8/330; D8/343**

(58) **Field of Classification Search** D8/330,
D8/331, 332, 334, 339, 343; 70/14, 20-22,
70/57, 57.1, 58, 163, 174, 179, 180, 266,
70/431, 447, 448, 449; 248/551, 553; 439/304
See application file for complete search history.

ACCO Brands, Inc. v. Micro Security Devices, Inc., United States
District Court for the North District of California, Order Granting
Defendant's Motion for Summary Judgment, Jul. 23, 2002, 13 pages.

(Continued)

Primary Examiner — Prabhakar Deshmukh
(74) *Attorney, Agent, or Firm* — Kilpatrick Townsend &
Stockton LLP

(56) **References Cited**

U.S. PATENT DOCUMENTS

14,059 A 1/1856 Harrison, Jr.
87,045 A 2/1869 Holmes
95,509 A 10/1869 Petre
285,074 A 9/1883 Rhoades et al.
505,299 A 9/1893 Schneider
541,630 A 6/1895 Ridgway
606,734 A 7/1898 Olmstead
611,646 A 10/1898 Parker
786,842 A 4/1905 Robeson
881,364 A 3/1908 Wheeler
934,928 A 9/1909 Michel
942,537 A 12/1909 Batdorf
952,411 A 3/1910 Billy
989,484 A 4/1911 Campbell
1,004,333 A 9/1911 Alsterberg
1,050,276 A 1/1913 Johnson
1,101,450 A 6/1914 Kerry
1,213,992 A 1/1917 Wright

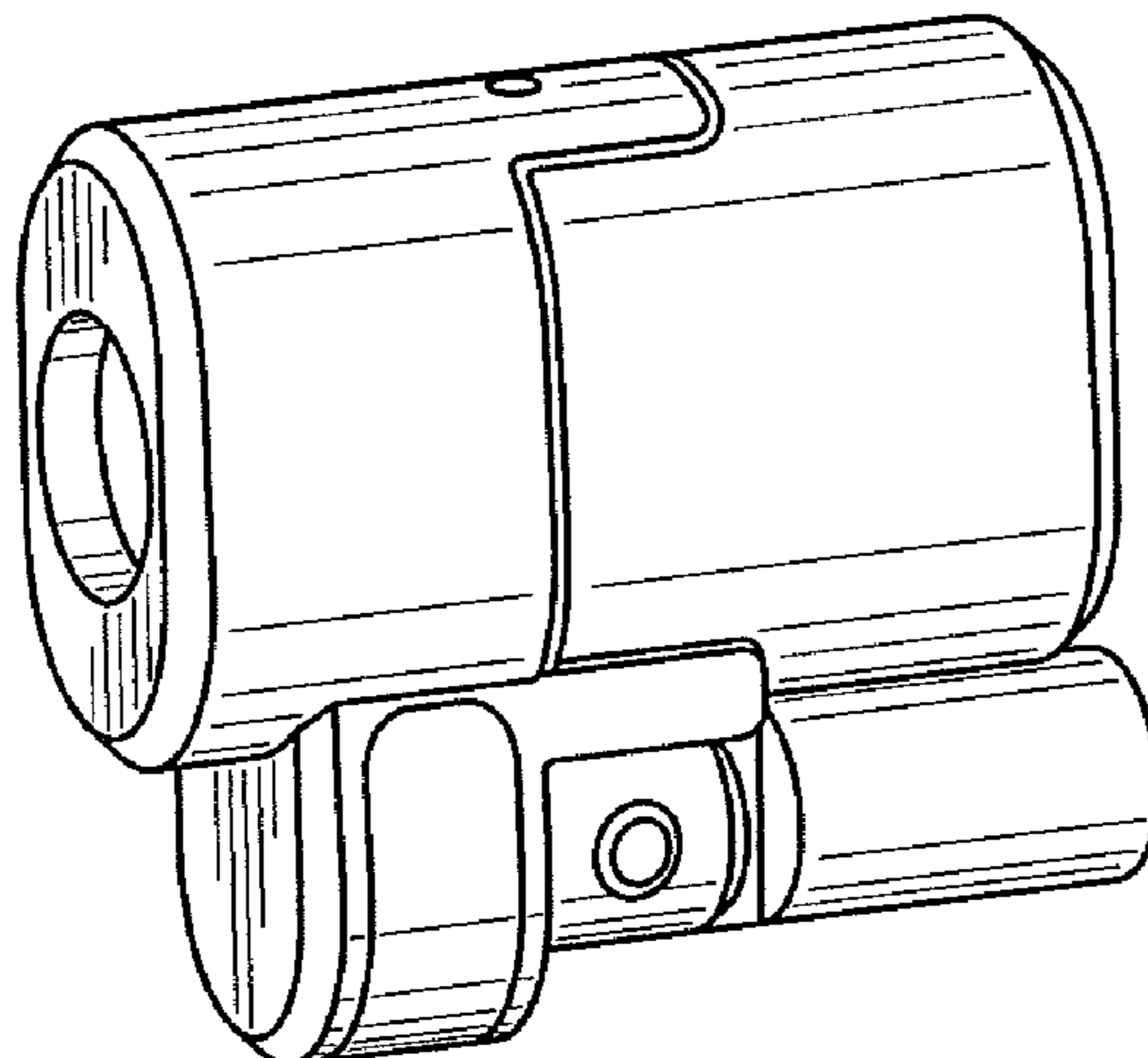
(57) **CLAIM**

The ornamental design for a security apparatus, as shown and
described.

DESCRIPTION

FIG. 1 is a left side perspective view of a security apparatus
showing our new design;
FIG. 2 is a right side perspective view thereof;
FIG. 3 is a front side perspective view thereof;
FIG. 4 is a top plan view thereof;
FIG. 5 is a left side elevational view thereof;
FIG. 6 is a bottom plan view thereof;
FIG. 7 is a rear elevational view thereof; and,
FIG. 8 is a front elevational view thereof.

1 Claim, 2 Drawing Sheets



US D651,889 S

Page 2

U.S. PATENT DOCUMENTS							
1,786,511	A	12/1930	Warren	3,910,079	A	10/1975	Gassaway
1,851,986	A	4/1932	Rubsamen	3,910,081	A	10/1975	Pender
1,891,214	A	12/1932	Falk	3,939,752	A	2/1976	Koscik
1,929,679	A	10/1933	Duncan	3,986,780	A	10/1976	Nivet
1,978,935	A	10/1934	Douglas	3,990,276	A	11/1976	Shontz
1,998,050	A	4/1935	Gasdorf	3,995,459	A	12/1976	Weeks et al.
2,001,354	A	5/1935	Smith et al.	3,999,410	A	12/1976	Hall
2,032,821	A	3/1936	Waits	4,003,228	A	1/1977	Lievens et al.
2,102,583	A	12/1937	Alberg	4,004,440	A	1/1977	Dreyer
2,109,109	A	2/1938	Finch	4,006,615	A	2/1977	Szova
2,130,216	A	9/1938	Zaninovich	4,007,613	A	2/1977	Gassaway
2,172,208	A	9/1939	Kurtzon	4,018,339	A	4/1977	Pritz
2,190,661	A	2/1940	Hauer	4,028,913	A	6/1977	Falk
2,383,397	A	8/1945	Lofqwist	4,028,916	A	6/1977	Pender
2,405,400	A	8/1946	Butterfield	4,041,739	A	8/1977	Mercurio
2,407,406	A	9/1946	Dutton	4,047,748	A	9/1977	Whaley et al.
2,435,876	A	2/1948	De Swart	4,055,973	A	11/1977	Best
2,469,874	A	5/1949	Fetsko, Jr.	4,057,984	A	11/1977	Avaiusini
2,480,662	A	8/1949	McKinzie	4,065,083	A	12/1977	Gassaway
2,530,560	A	11/1950	Young	4,066,195	A	1/1978	Dickler
2,577,956	A	12/1951	Elsberg	4,066,231	A	1/1978	Bahner et al.
2,578,547	A	12/1951	Hilger	4,069,696	A	1/1978	Steinbach
2,594,012	A	4/1952	Griffin	4,078,405	A	3/1978	Steinbach
2,660,084	A	11/1953	Newman	4,104,951	A	8/1978	Leitner
2,677,261	A	5/1954	Jacobi	4,111,020	A	9/1978	Scherbing
2,729,419	A	1/1956	Briede	4,112,820	A	9/1978	Conger et al.
2,800,090	A	7/1957	Reid	4,114,409	A	9/1978	Scire
2,963,310	A	12/1960	Abolins	4,118,902	A	10/1978	Saxton
3,091,011	A	5/1963	Campbell	4,123,922	A	11/1978	Kuentler
3,101,695	A	8/1963	Honeyman, Jr.	4,131,001	A	12/1978	Gotto
3,130,571	A	4/1964	Neumann	4,212,175	A	7/1980	Zakow
3,136,017	A	6/1964	Preziosi	4,223,542	A	9/1980	Basseches
3,171,182	A	3/1965	Danehy	4,252,007	A	2/1981	Kerley
3,174,384	A	3/1965	Vanni	4,263,833	A	4/1981	Loudin et al.
3,200,694	A	8/1965	Rapata	4,269,048	A	5/1981	McDorman
3,211,408	A	10/1965	Schaefer	4,290,279	A	9/1981	Fish et al.
3,213,745	A	10/1965	Dwyer	4,300,371	A	11/1981	Herwick et al.
3,220,077	A	11/1965	Newcomer, Jr. et al.	4,311,883	A	1/1982	Kidney
3,267,707	A	8/1966	Adams	4,328,687	A	5/1982	Ritchie
3,276,835	A	10/1966	Hall	4,328,691	A	5/1982	Scherbing
3,380,268	A	4/1968	Perrill	4,337,462	A	6/1982	Lemelson
3,469,874	A	9/1969	Mercurio	4,383,425	A	5/1983	Orabona
3,486,158	A	12/1969	Seltysik et al.	4,391,110	A	7/1983	Nielsen, Jr.
3,509,748	A	5/1970	Trainor	4,394,101	A	7/1983	Richer
3,521,845	A	7/1970	Sweda et al.	4,418,550	A	12/1983	Hamilton
3,524,335	A	8/1970	George	4,419,034	A	12/1983	DiMartino
3,541,819	A	11/1970	Keer	4,442,571	A	4/1984	Davis et al.
3,561,236	A	2/1971	Loughlin	4,448,049	A	5/1984	Murray
3,590,608	A	7/1971	Smyth et al.	4,462,233	A	7/1984	Horetzke
3,596,285	A	7/1971	Gottwald	4,466,259	A	8/1984	Osgood, Sr.
3,625,031	A	12/1971	Alley, III	4,471,980	A	9/1984	Hickman
3,634,963	A	1/1972	Hermann	4,478,545	A	10/1984	Mizusawa et al.
3,664,163	A	5/1972	Foote	4,501,460	A	2/1985	Sisler
3,722,239	A	3/1973	Mestre	4,502,305	A	3/1985	Bakker
3,727,934	A	4/1973	Averbook et al.	4,507,945	A	4/1985	Hwang
3,737,135	A	6/1973	Bertolini	4,520,641	A	6/1985	Bako
3,738,136	A	6/1973	Falk	4,527,405	A	7/1985	Renick et al.
3,754,420	A	8/1973	Oellerich	4,546,629	A	10/1985	Hwang
3,765,197	A	10/1973	Foote	4,557,458	A	12/1985	Vahlberg et al.
3,766,760	A	10/1973	Mohrhauser et al.	4,570,465	A	2/1986	Bennett
3,771,338	A	11/1973	Raskin	4,579,492	A	4/1986	Kazino et al.
3,772,645	A	11/1973	Odenz et al.	4,584,856	A	4/1986	Petersdorff et al.
3,782,146	A	1/1974	Franke	4,586,843	A	5/1986	Heng et al.
3,783,660	A	1/1974	Gill	4,593,273	A	6/1986	Narcisse
3,785,183	A	1/1974	Sander	4,598,272	A	7/1986	Cox
3,798,934	A	3/1974	Wright et al.	4,603,829	A	8/1986	Koike et al.
3,813,906	A	6/1974	Kerr	4,610,152	A	9/1986	Düringer
3,817,066	A	6/1974	Pearson	4,610,587	A	9/1986	Wollar et al.
3,826,510	A	7/1974	Halter	4,616,490	A	10/1986	Robbins
D232,416	S	8/1974	Gazda et al.	4,620,182	A	10/1986	Keifer
3,836,704	A	9/1974	Coules	4,640,106	A	2/1987	Derman
3,859,826	A	1/1975	Singer et al.	4,651,544	A	3/1987	Hungerford
3,866,873	A	2/1975	Bohli	4,653,297	A	3/1987	Moorhouse
3,875,645	A	4/1975	Tucker et al.	4,654,640	A	3/1987	Carll et al.
3,878,700	A	4/1975	Lopez	4,655,057	A	4/1987	Derman
3,898,641	A	8/1975	Banner	4,656,848	A	4/1987	Rose
3,903,720	A	9/1975	Scherbing	4,667,491	A	5/1987	Lokken et al.
3,905,570	A	9/1975	Nieuwveld	4,676,080	A	6/1987	Schwarz
				4,680,949	A	7/1987	Stewart

US D651,889 S

4,685,312 A	8/1987	Lakoski et al.	5,154,456 A	10/1992	Moore et al.
4,691,891 A	9/1987	Dionne	5,169,326 A	12/1992	Werner
4,692,968 A	9/1987	Girard	5,171,049 A	12/1992	Grandy, Sr. et al.
4,704,881 A	11/1987	Sloop, Sr.	5,184,798 A	2/1993	Wilson
4,722,208 A	2/1988	Ye	5,197,706 A	3/1993	Braithwaite et al.
4,733,840 A	3/1988	D'Amore	5,223,815 A	6/1993	Rosenthal et al.
4,735,067 A	4/1988	Tawil	D337,040 S	7/1993	Carl
4,738,428 A	4/1988	Thermistos et al.	5,228,319 A	7/1993	Holley et al.
4,741,185 A	5/1988	Weinert et al.	5,235,831 A	8/1993	Lauria et al.
4,751,831 A	6/1988	Morris, Jr. et al.	5,279,136 A	1/1994	Perry
4,768,361 A	9/1988	Derman	D346,733 S	5/1994	Carl et al.
4,770,583 A	9/1988	Lindberg	5,317,304 A	5/1994	Choi
4,779,434 A	10/1988	Derman	5,327,752 A *	7/1994	Myers et al. 70/58
4,785,291 A	11/1988	Hawthorne	D350,473 S	9/1994	Simon
4,801,232 A	1/1989	Hempel	5,349,834 A	9/1994	Davidge
4,802,354 A	2/1989	Johnson	5,349,835 A	9/1994	Liao
4,803,860 A	2/1989	Moore	5,351,507 A	10/1994	Derman
4,804,943 A	2/1989	Soleimani	5,351,508 A	10/1994	Kelley
4,805,426 A	2/1989	Dimmick et al.	5,361,610 A	11/1994	Sanders
4,813,252 A	3/1989	Ray	5,370,488 A	12/1994	Sykes
4,818,032 A	4/1989	Thomas	5,377,512 A	1/1995	Kelley
4,826,193 A	5/1989	Davis	5,381,685 A	1/1995	Carl et al.
4,831,852 A	5/1989	Hughes	5,386,005 A	1/1995	Mascia et al.
4,831,860 A	5/1989	Sheiman et al.	5,390,514 A	2/1995	Harmon
4,834,600 A	5/1989	Lemke	5,390,977 A	2/1995	Miller
4,842,912 A	6/1989	Hutter, III	5,394,713 A	3/1995	Harmon
4,843,848 A	7/1989	Igelmund	5,397,176 A	3/1995	Allen et al.
4,856,304 A	8/1989	Derman	5,398,530 A	3/1995	Derman
4,856,305 A	8/1989	Adams	5,400,622 A	3/1995	Harmon
4,858,455 A	8/1989	Kuo	5,402,662 A	4/1995	Osada
4,860,561 A	8/1989	Hwang	5,406,809 A	4/1995	Igelmund
4,862,716 A	9/1989	Derman	5,412,959 A	5/1995	Bentley
4,869,082 A	9/1989	Appelbaum	5,421,667 A	6/1995	Leyden et al.
4,870,840 A	10/1989	Klein	5,447,044 A	9/1995	Cheng
4,878,045 A	10/1989	Tanaka et al.	5,447,045 A	9/1995	Cheng
4,893,488 A	1/1990	Klein	5,447,049 A	9/1995	Shieh
4,896,140 A	1/1990	Biever et al.	5,466,022 A	11/1995	Derman
4,901,057 A	2/1990	Suneborn	5,473,917 A	12/1995	Say
4,907,111 A	3/1990	Derman	5,489,173 A	2/1996	Hofle
4,907,716 A	3/1990	Wankel et al.	5,493,878 A	2/1996	Murray, Jr. et al.
4,908,605 A	3/1990	Takatsuka	5,502,989 A	4/1996	Murray, Jr. et al.
4,912,953 A	4/1990	Wobig	5,520,031 A	5/1996	Davidge
4,918,952 A	4/1990	Lakoski et al.	D370,473 S	6/1996	Derman
4,924,683 A	5/1990	Derman	D370,621 S	6/1996	Themistos et al.
4,924,693 A	5/1990	College et al.	5,544,512 A	8/1996	Shieh
4,924,973 A	5/1990	Miller	5,548,981 A	8/1996	Kirk
4,938,040 A	7/1990	Humphreys, Jr.	5,570,080 A	10/1996	Inoue et al.
4,959,635 A	9/1990	Wilson	5,579,657 A	12/1996	Makous
4,959,979 A	10/1990	Filipow et al.	5,593,878 A	1/1997	Knopf et al.
4,964,285 A	10/1990	Lakoski et al.	5,603,416 A	2/1997	Richardson et al.
4,966,511 A	10/1990	Lee	5,608,605 A	3/1997	Siow et al.
4,969,342 A	11/1990	Marchiori	5,610,587 A	3/1997	Fujiuchi et al.
4,978,265 A	12/1990	De Wan	5,611,223 A	3/1997	Spitzer
4,979,382 A	12/1990	Perry	5,622,064 A	4/1997	Gluskoter et al.
4,985,695 A	1/1991	Wilkinson et al.	5,622,067 A	4/1997	Waitz
4,986,097 A	1/1991	Derman	5,636,539 A	6/1997	Tsai
4,993,244 A	2/1991	Osman	5,653,136 A	8/1997	Huang
5,001,460 A	3/1991	Basson	5,661,991 A	9/1997	Hsu
5,001,854 A	3/1991	Derman	5,676,258 A	10/1997	Leyden et al.
5,010,748 A	4/1991	Derman	5,687,592 A	11/1997	Penniman et al.
5,020,349 A	6/1991	Lee	5,692,400 A	12/1997	Bliven et al.
5,022,242 A	6/1991	Povilaitis	5,709,110 A	1/1998	Greenfield et al.
5,024,072 A	6/1991	Lee	5,722,268 A	3/1998	Choi
5,027,627 A	7/1991	Derman	5,761,934 A	6/1998	Kuo
5,050,836 A	9/1991	Makous	5,787,738 A	8/1998	Brandt et al.
5,052,199 A	10/1991	Derman	5,787,739 A	8/1998	Derman
5,063,763 A	11/1991	Johnson	5,791,171 A	8/1998	Kelley
5,066,942 A	11/1991	Matsuo	5,794,463 A	8/1998	McDaid
5,067,151 A	11/1991	Inagaki et al.	5,799,520 A	9/1998	Laabs et al.
5,076,079 A	12/1991	Monoson et al.	5,836,183 A	11/1998	Derman
5,082,232 A	1/1992	Wilson	5,870,281 A	2/1999	Kim
5,082,233 A	1/1992	Avers et al.	5,875,657 A	3/1999	Kelley
5,099,663 A	3/1992	Dearstine	5,884,508 A	3/1999	Dwight
5,117,661 A	6/1992	Carl et al.	5,889,463 A	3/1999	Judd et al.
5,119,649 A	6/1992	Spence	5,913,907 A	6/1999	Lee
5,133,203 A	7/1992	Huang	5,924,313 A	7/1999	Kuo
5,135,197 A	8/1992	Kelley et al.	5,934,120 A	8/1999	Kuo
5,138,785 A	8/1992	Paterson	5,960,651 A	10/1999	Tanisawa
5,146,769 A	9/1992	Smith	5,963,131 A	10/1999	D'Angelo et al.

FR	455740	A	8/1913
FR	877220	A	12/1942
FR	1026519	A	4/1953
FR	1085107	A	1/1955
FR	2308006	A1	11/1976
FR	2636686	A1	3/1990
FR	2741375	A1	5/1997
GB	447091	A	5/1936
GB	1256295	A	12/1971
GB	1376011	A	12/1974
GB	2109109	A	5/1983
GB	2201725	A	9/1988
GB	2234856	A	2/1991
HU	P0000398		6/2000
HU	224329	B1	6/2003
IT	451949		10/1949
JP	49-91096		8/1947
JP	37-7592		6/1959
JP	52-36813		3/1977
JP	57-25092		2/1982
JP	57-179618	A	11/1982
JP	08-007462		1/1996
JP	2000-305845	A	11/2000
JP	2003-314100	A	11/2003
JP	2000-140948	A	5/2005
NO	14095		6/1905
WO	WO 86-00396	A1	1/1986
WO	WO 93-15295	A1	8/1993
WO	WO 95-10680	A1	4/1995
WO	WO 96-07002	A1	3/1996
WO	WO 96-15347	A1	5/1996
WO	WO 08-051919	A2	5/2008
WO	WO 08-051930	A2	5/2008
WO	WO 08-147818	A1	12/2008
WO	WO 09-026225	A1	2/2009
WO	WO 10-080402	A2	7/2010
WO	WO 2010/138847	A2	12/2010

OTHER PUBLICATIONS

DS-SNAP-IT-MXS, Datamation Systems Inc., Aug. 14, 2007, 1 page.
 U.S. Appl. No. 12/242,059, filed Sep. 30, 2008, 58 pages.
 U.S. Appl. No. 12/446,556, filed Apr. 21, 2009, 22 pages.
 U.S. Appl. No. 12/446,560, filed Apr. 21, 2009, 101 pages.
 U.S. Appl. No. 12/870,599, filed Aug. 27, 2010, 48 pages.
 U.S. Appl. No. 61/182,591, filed May 29, 2009, 14 pages.
 The International Search Report for Application No. PCT/US2010/036628, mailed Jan. 14, 2011, 7 pages.
 The Written Opinion for Application No. PCT/US2010/036628, mailed Jan. 14, 2011, 14 pages.
 Flexguard™ Security System, Philadelphia Security Products (no date on page), 1 page.
 Kablit™ Security System Catalog, © 1988 by Secure-It, Inc., 4 pages, Computer and Office Equipment Security Catalog, Secure-It, Inc., 18 Maple Court, East Longmeadow, MA 01028.
 Kensington® MicroSaver Security System, Packaging and Manual, © 1992 Kensington Microwave Limited, 4 pages.

Kensington Notebook MicroSaver® Installation Instructions Computer Lock Box and Literature, © 2001 Kensington Technology Group, 3 pages.
 Kensington Product Brochure for Kensington Apple Laser Writer and Macintosh Portable Security Systems, Computer and Office Equipment Security Catalog, 1990, 15 pages, Secure-It, Inc., 18 Maple Court, East Longmeadow, MA 01028.
 Kensington Product News Release, “Kensington Wins Case Protecting Cable Lock Patents,” © 2005 Kensington Technology Group, a division of ACCO Brands, Inc., 1 page.
 Kryptonite Combo Lock Review, dated Apr. 20, 2011, 10 pages (not a published document).
 Maltoni, D., et al., Extract from “Handbook of Fingerprint Recognition,” Chapter 1: Introduction, © 2003, Springer Verlag, New York, 54 pages.
 Non-Final Office Action for U.S. Appl. No. 12/969,401, mailed on Apr. 13, 2011, 31 pages.
 Non-Final Office Action for U.S. Appl. No. 12/977,486, mailed on Apr. 13, 2011, 36 pages.
 Non-Final Office Action for U.S. Appl. No. 12/987,000, mailed on Jul. 6, 2011, 40 pages.
 Notebook Computer Combination Lock, 2002, APC Kryptonite, 2 pages.
 Notice of Allowance for U.S. Appl. No. 12/969,401, mailed on Jun. 30, 2011, 9 pages.
 Notice of Allowance for U.S. Appl. No. 12/977,486, mailed on Jun. 30, 2011, 11 pages.
 PassProof™ User Manual for Macintosh Computers, © 1990 Kensington Microwave Limited, Document 019003800-0890-01, 4 pages.
 Retaining Device Incorporated in Apple Computers, Secure-It, Inc., 1 page.
 Security Method #1 MacKablit Package, Apple Security Bracket sold in Access Security kit, 1 page.
 Simross, L., “An Easier Way to Polish Metal Products,” Los Angeles Times, Jan. 12, 1989, Part V, 1 page.
 Targus DEFCON™ 1 Ultra Notebook Computer Security System, © 2001 Targus Corp., 3 pages, downloaded Jan. 3, 2006 at http://www.targus.com/us/product_details.asp?sku=PA400.
 Targus DEFCON™ 1 Ultra Security System, User’s Guide, “Making Your Mobile Life Easier,” 20 pages.
 Vantec Notebook Lock, model # NBL-S100, 2004, 1 page.
 Chung, Matthew; “Kensington Introduces Its ClickSafe Notebook Lock”; 2010, <http://www.zdnet.com/blog/gadgetreviews/kensington-clicksafe-locks-up-laptops-with-the-s....>, 2 pages.
 King, Rachel: “Kensington ClickSafe locks up laptops with the snap of a click”; 2010, <http://www.ubergizmo.com/2010/10/kensington-introduces-its-clicksafe-notebook-lock>, 2 pages.
 U.S. Appl. No. 12/891,707, filed Sep. 27, 2010, 55 pages.
 U.S. Appl. No. 12/987,000, filed Jan. 7, 2011, 53 pages.
 U.S. Appl. No. 12/977,486, filed Dec. 23, 2010, 54 pages.
 U.S. Appl. No. 12/969,401, filed Dec. 15, 2010, 55 pages.

* cited by examiner

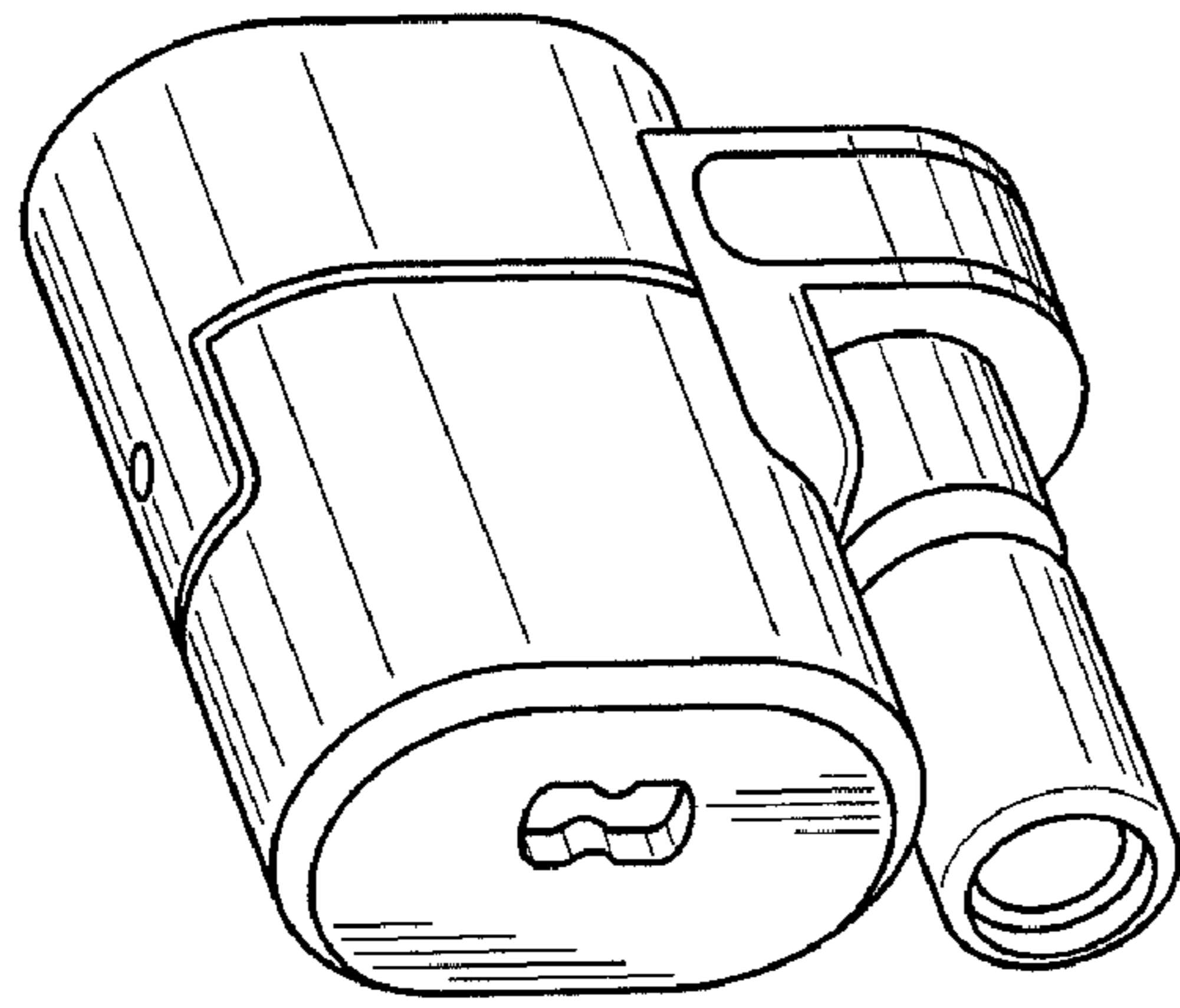


FIG. 3

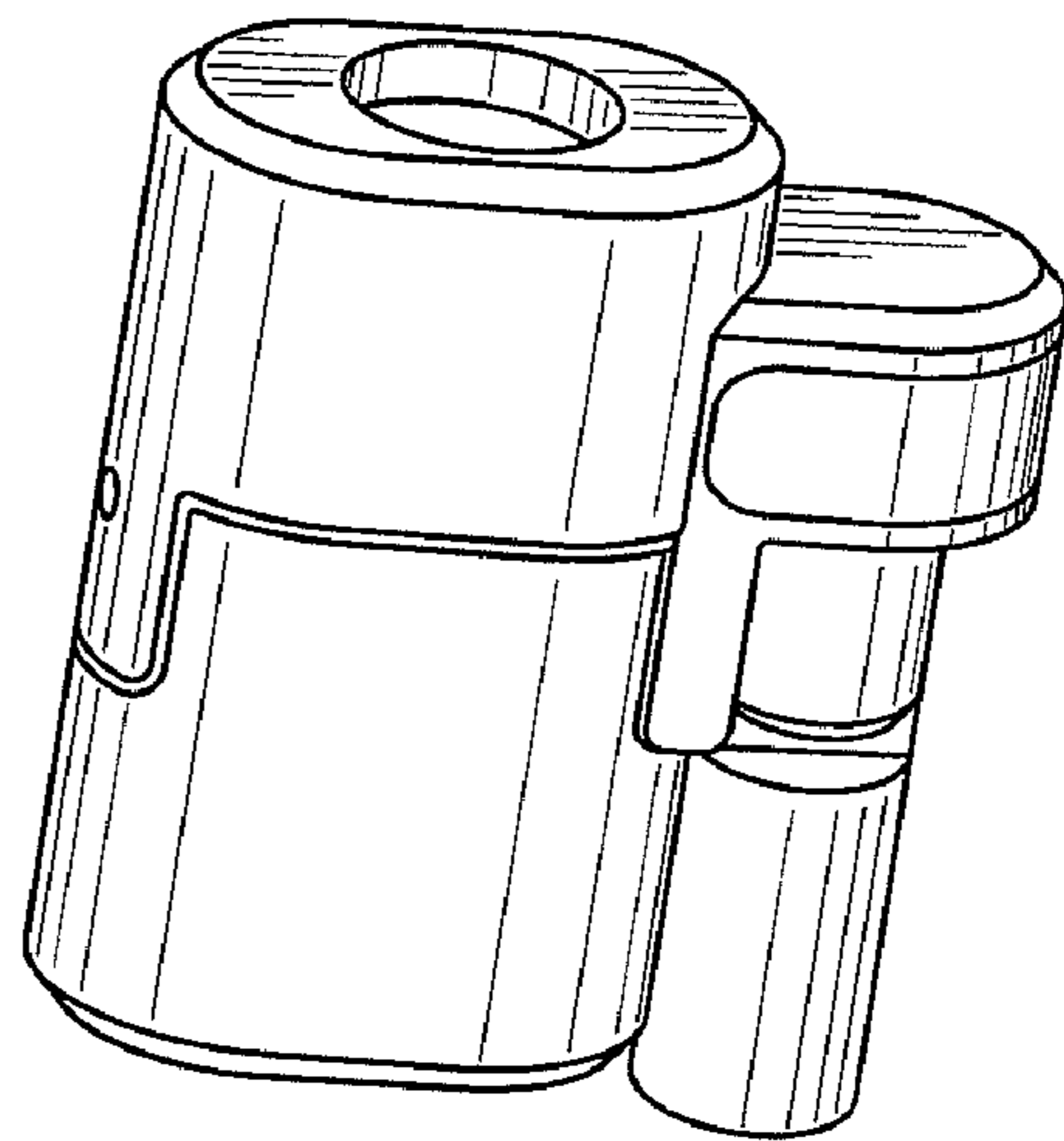


FIG. 2

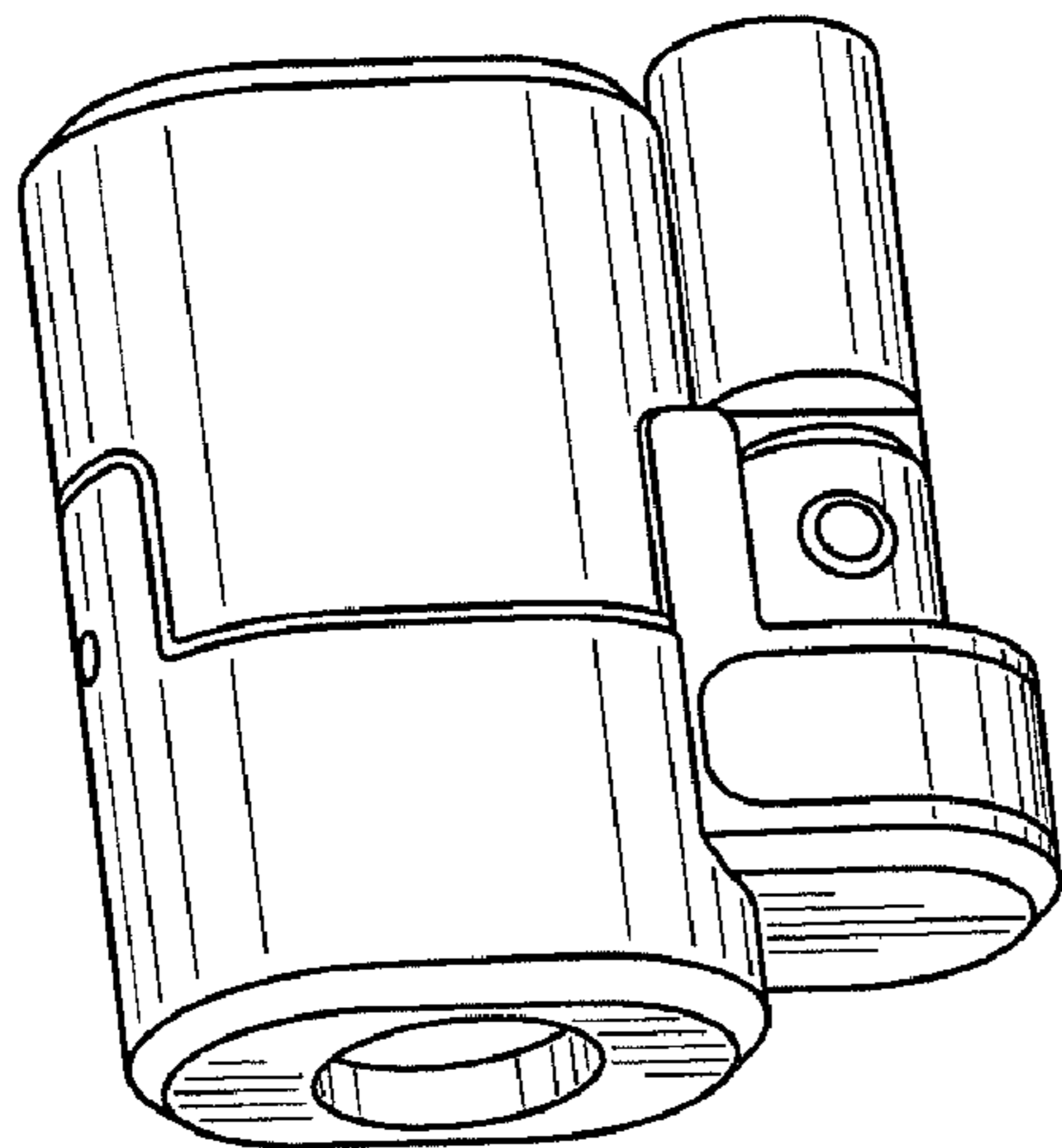


FIG. 1

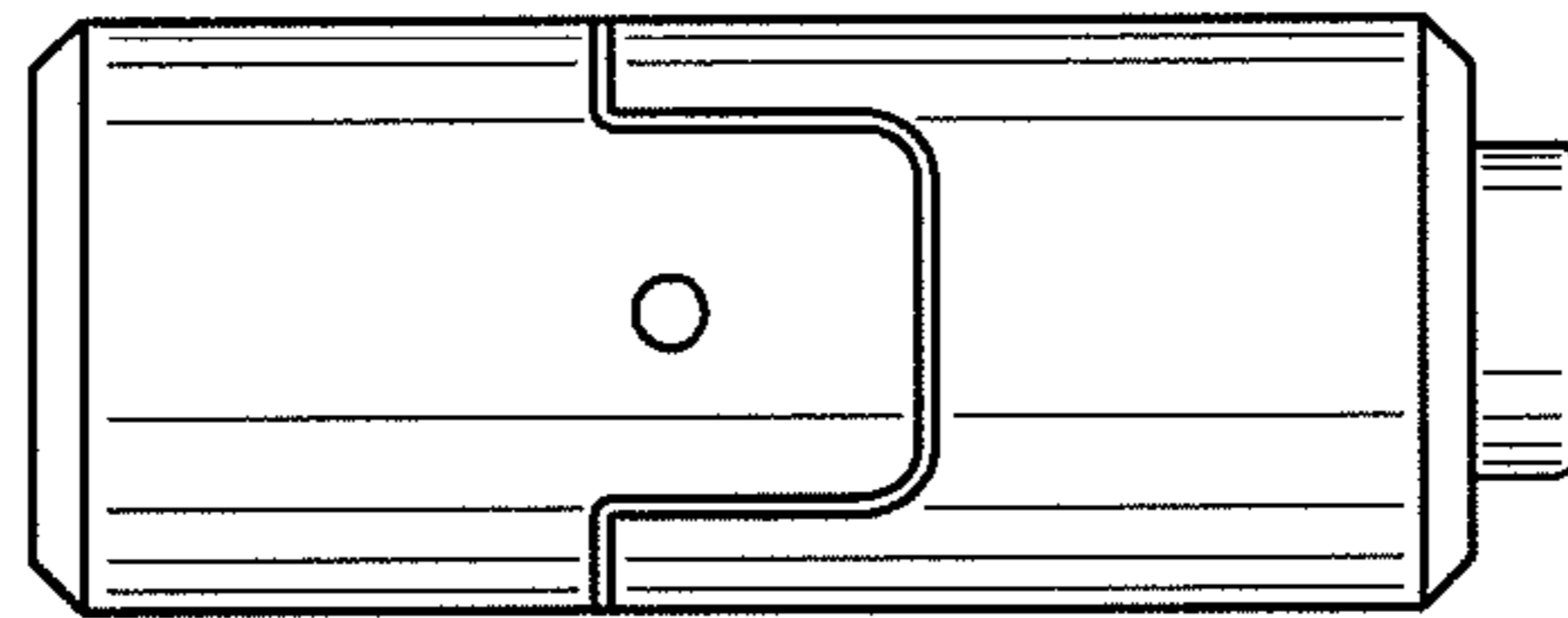


FIG. 4

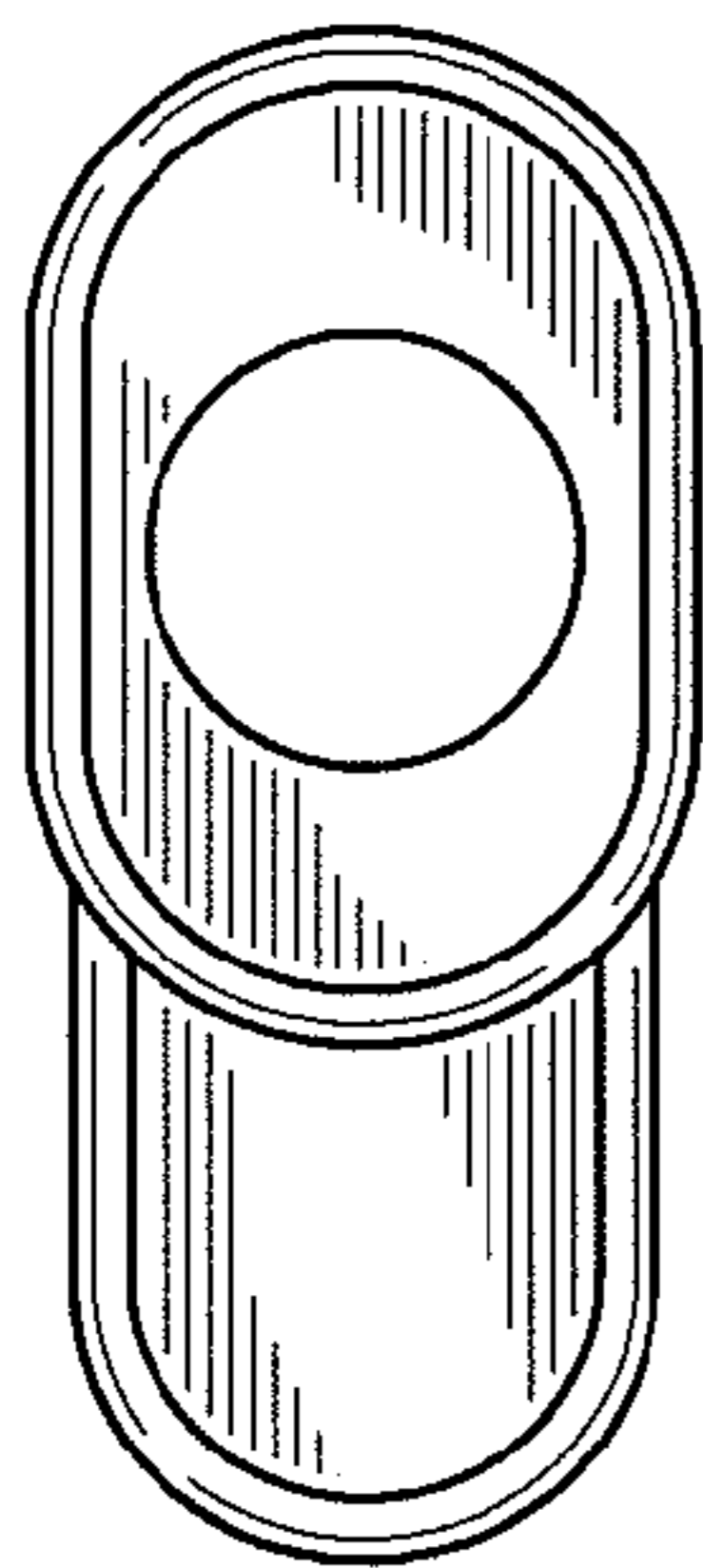


FIG. 7

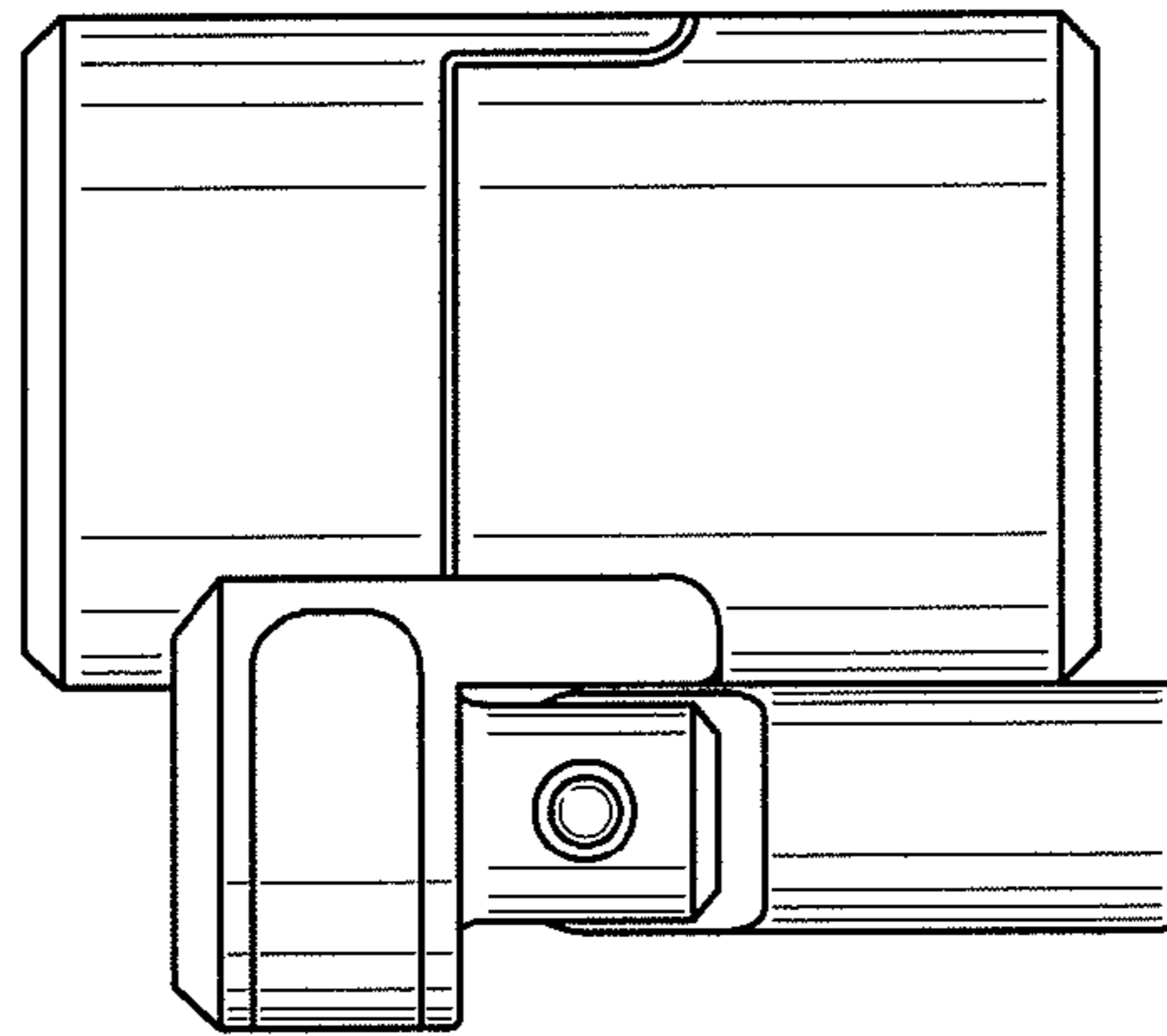


FIG. 5

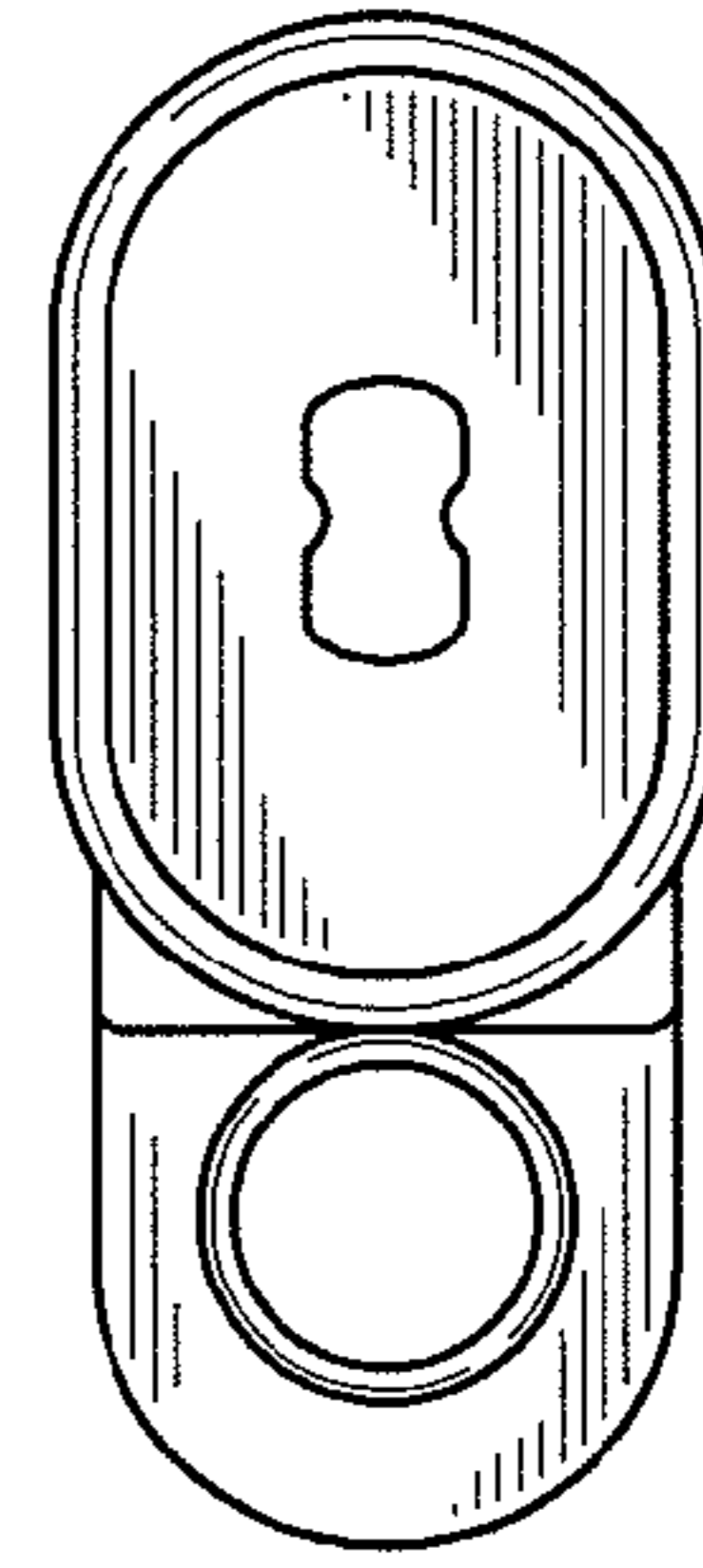


FIG. 8

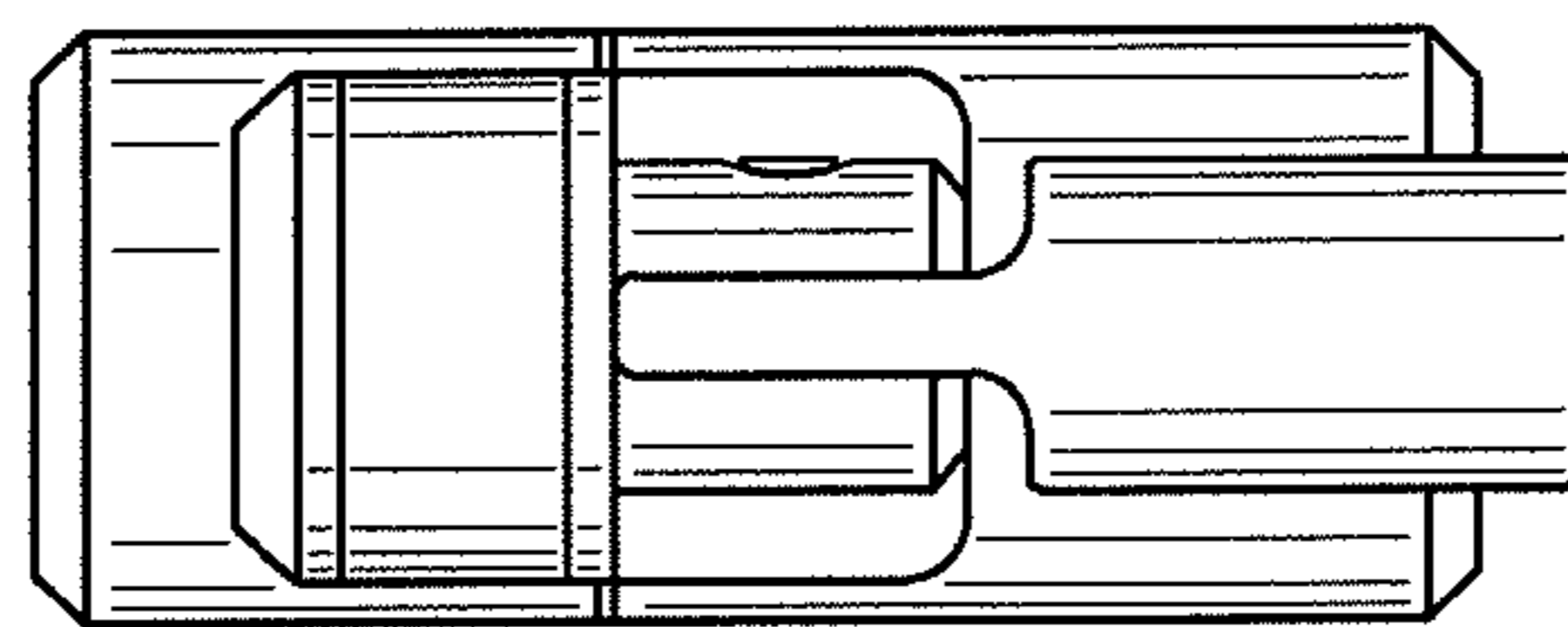


FIG. 6