



US00D651888S

(12) **United States Design Patent**  
**Yu et al.**

(10) **Patent No.:** **US D651,888 S**  
(45) **Date of Patent:** **\*\* Jan. 10, 2012**

- (54) **VEHICLE INTERIOR HANDLE**
- (75) Inventors: **Simon H Yu**, Los Angeles, CA (US);  
**Kazuhito Mine**, Torrance, CA (US)
- (73) Assignee: **Honda Motor Co., Ltd.**, Tokyo (JP)
- (\*\*) Term: **14 Years**
- (21) Appl. No.: **29/375,345**
- (22) Filed: **Sep. 21, 2010**
- (51) **LOC (9) Cl.** ..... **08-06**
- (52) **U.S. Cl.** ..... **D8/301**
- (58) **Field of Classification Search** ..... D8/300,  
D8/301, 302, 308, 313, 315, 331, 341, 342,  
D8/343, DIG. 1; D12/190, 195; 296/37.1,  
296/37.13, 149, 153, 146.1; 280/1; 16/110.1,  
16/412; 292/336.3; 49/501, 502, 503  
See application file for complete search history.

- D531,101 S \* 10/2006 Yu et al. .... D12/195
- D549,072 S \* 8/2007 Davidson ..... D8/302
- D577,566 S \* 9/2008 Grohmann ..... D8/308
- D578,374 S \* 10/2008 Kim ..... D8/331
- D586,279 S \* 2/2009 Yamazaki et al. .... D12/195
- D593,396 S \* 6/2009 Habib ..... D8/308

\* cited by examiner

*Primary Examiner* — Paula Greene

(74) *Attorney, Agent, or Firm* — Plumsea Law Group, LLC;  
Mark E. Duell

(56) **References Cited**

U.S. PATENT DOCUMENTS

- D338,865 S \* 8/1993 Lim ..... D12/195
- D435,003 S \* 12/2000 Tsay ..... D12/195
- D529,850 S \* 10/2006 Yu et al. .... D12/195

(57) **CLAIM**

The ornamental design for a vehicle interior handle, as shown and described.

**DESCRIPTION**

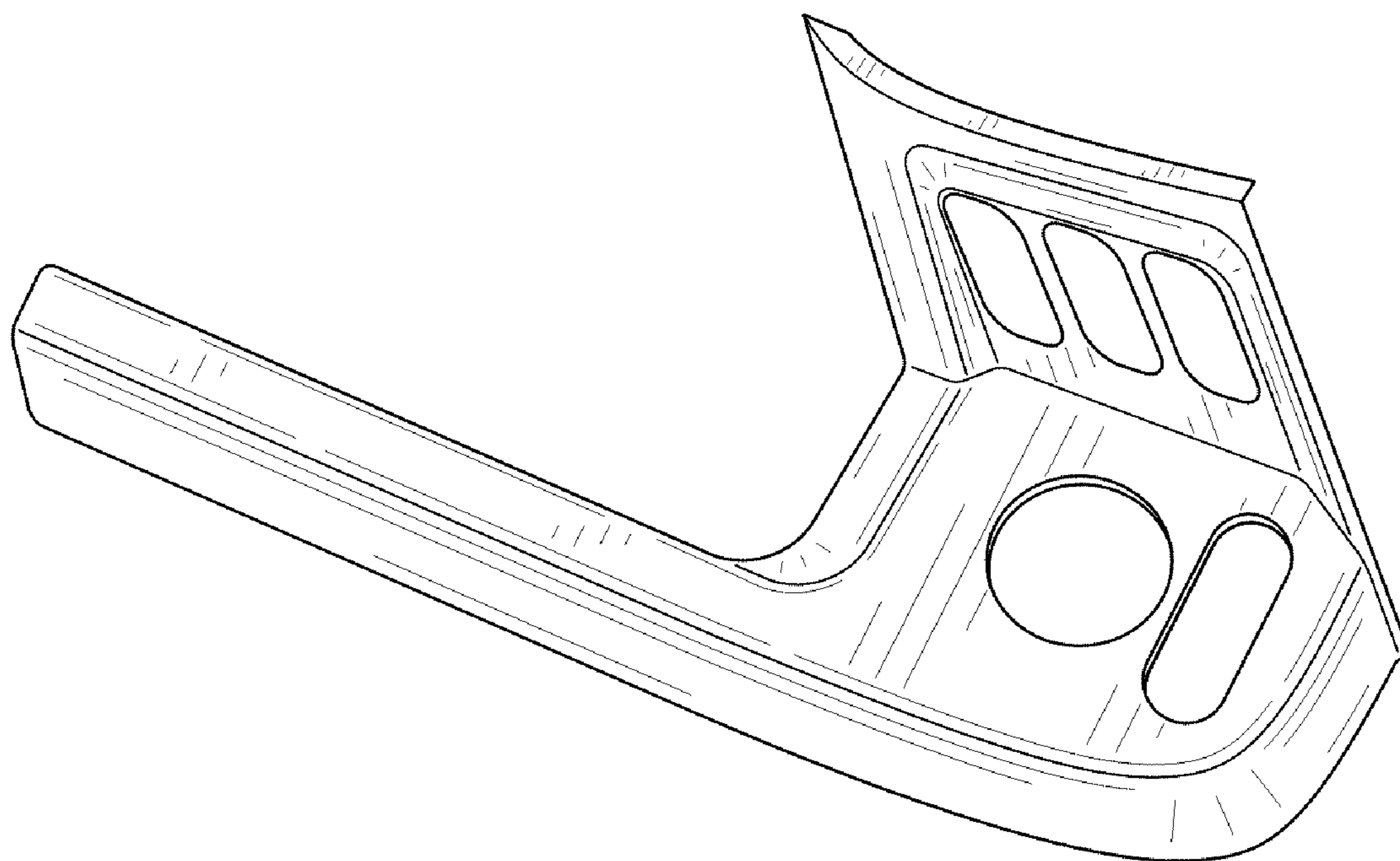
FIG. 1 is a perspective view of a vehicle interior handle showing our new design;

FIG. 2 is a side view thereof; and,

FIG. 3 is a front view thereof.

The bottom and rear of the vehicle interior handle are not illustrated and therefore form no part of the claimed design.

**1 Claim, 2 Drawing Sheets**



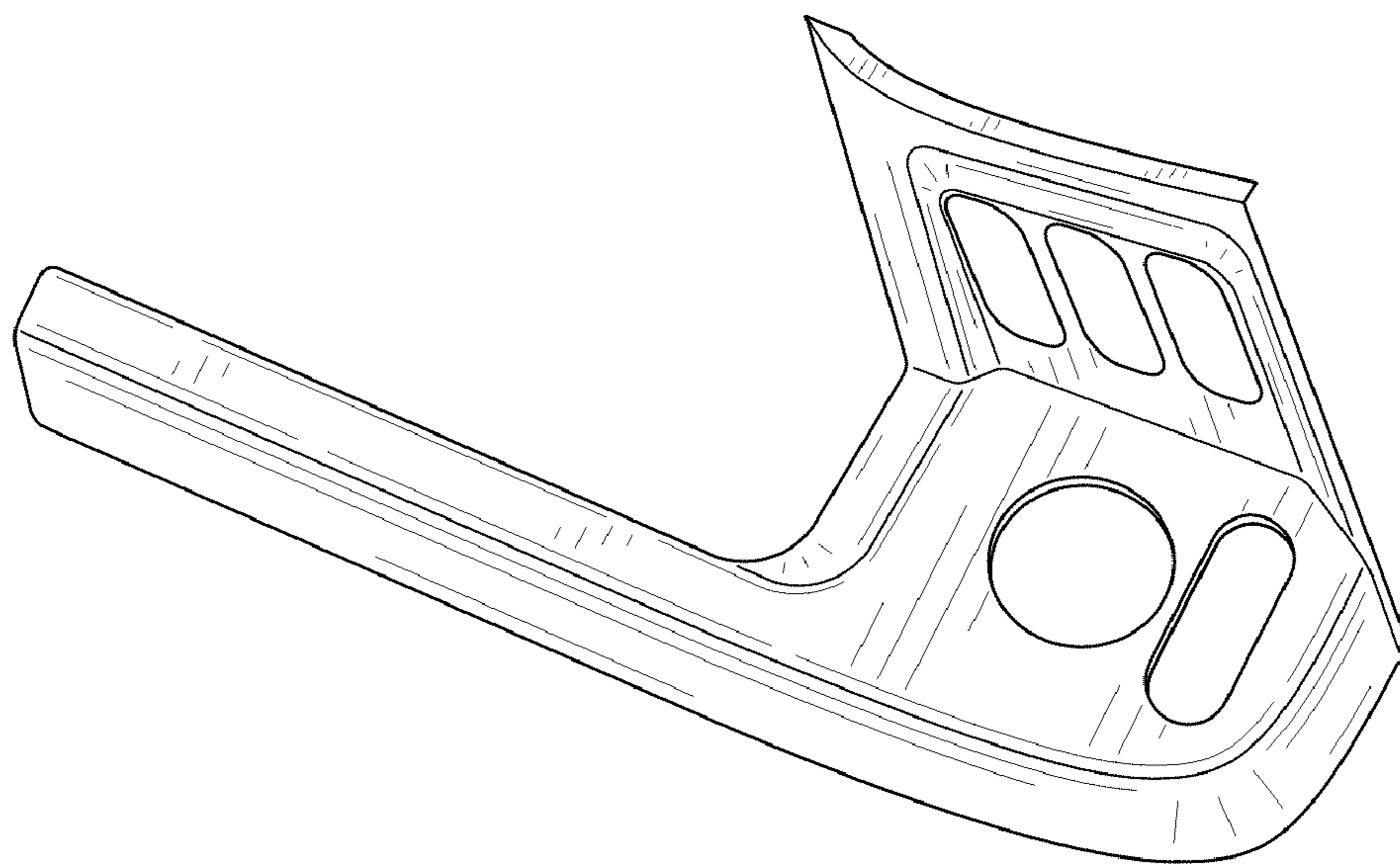


FIG. 1

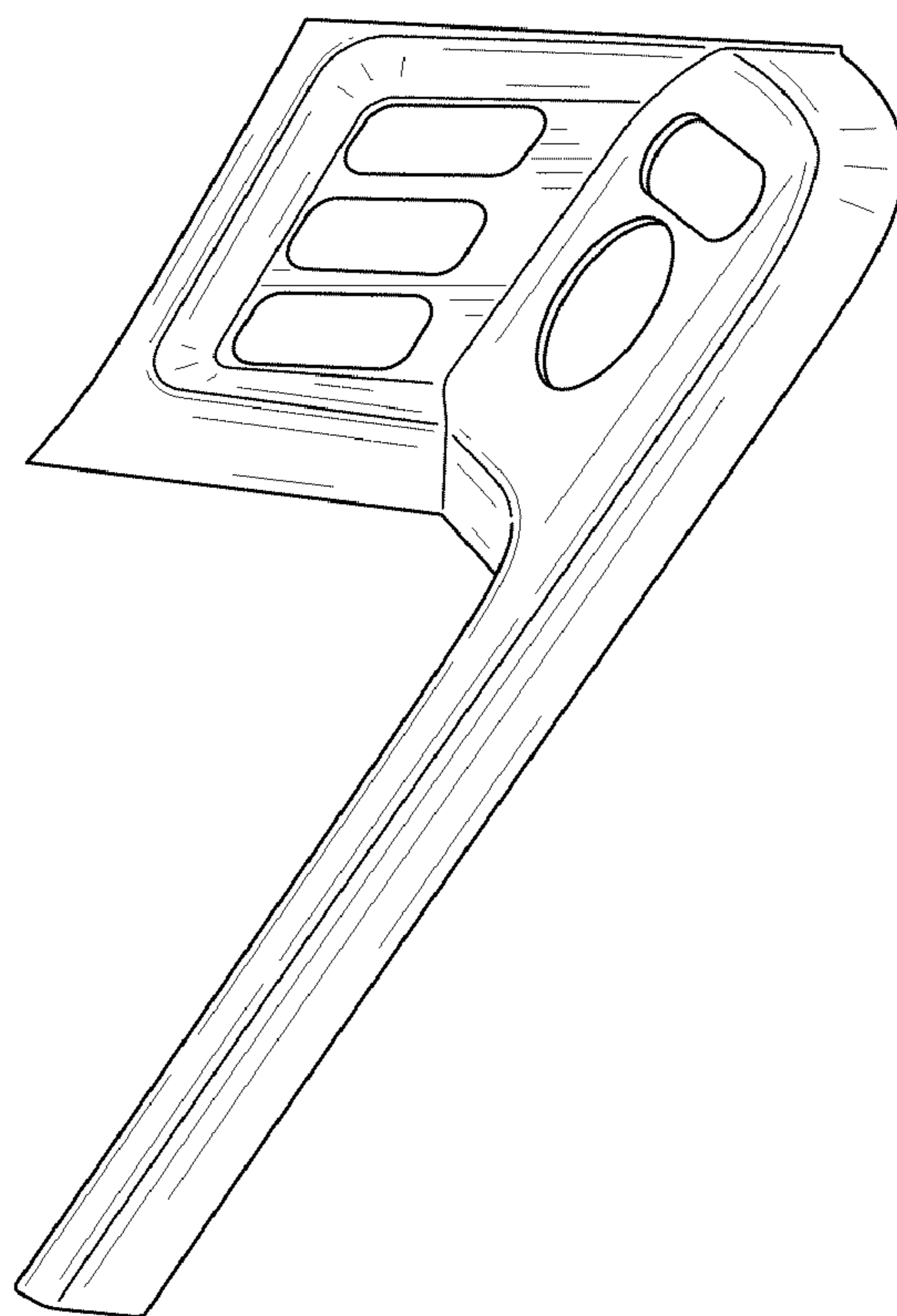


FIG. 2

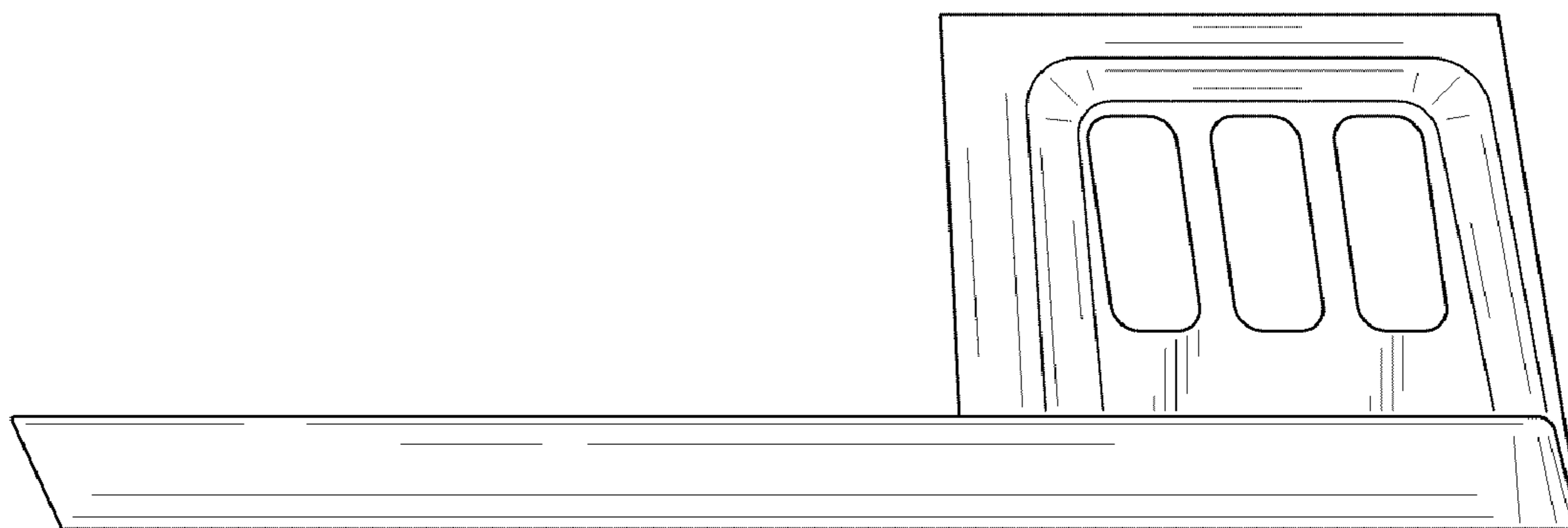


FIG. 3