



US00D651886S

(12) **United States Design Patent**
Clement

(10) **Patent No.:** **US D651,886 S**

(45) **Date of Patent:** **** Jan. 10, 2012**

(54) **BREACHING TOOL**

(76) Inventor: **Brian E. Clement**, Fayetteville, NC
(US)

(**) Term: **14 Years**

(21) Appl. No.: **29/377,947**

(22) Filed: **Oct. 28, 2010**

(51) **LOC (9) Cl.** **08-02**

(52) **U.S. Cl.** **D8/77**

(58) **Field of Classification Search** D8/26,
D8/75-83, 107; 7/143, 138; 30/308.1; 144/195.5;
81/19-24, 26, 489; 76/103
See application file for complete search history.

(56) **References Cited**

U.S. PATENT DOCUMENTS

1,470,100	A *	10/1923	Porter	81/489
D161,034	S *	11/1950	Marthinsen	D8/77
2,738,815	A *	3/1956	Hoeldtke	30/308.1
D206,782	S *	1/1967	Blanchini	D8/77
3,786,847	A	1/1974	Schera, Jr.	
D252,283	S	7/1979	Reeves-Saunders	
4,753,137	A	6/1988	Kennedy	
4,829,857	A	5/1989	Jones	
D301,962	S *	7/1989	Huang	D8/14
5,123,303	A *	6/1992	Lee et al.	76/103
D339,972	S *	10/1993	Forman	D8/77
D376,088	S *	12/1996	Spirer	D8/77
5,579,557	A	12/1996	Boden	
D377,745	S *	2/1997	Laun	D8/107
5,651,631	A *	7/1997	Carmien	403/261
5,735,630	A	4/1998	Keathley et al.	
5,768,956	A	6/1998	Coonrad	

5,887,314	A *	3/1999	Jordan, Jr.	16/405
D416,777	S *	11/1999	Swenson, Sr.	D8/107
6,478,492	B1	11/2002	Crystal	
6,546,596	B2	4/2003	Grote et al.	
6,568,484	B1	5/2003	Schmid et al.	
D476,874	S *	7/2003	Kim	D8/81
6,691,372	B2	2/2004	Ruhland	
D519,820	S *	5/2006	Newman et al.	D8/107
D618,977	S *	7/2010	Ruhland	D8/77
D625,573	S *	10/2010	Bonzer	D8/107
2007/0017321	A1 *	1/2007	Doney	81/20

* cited by examiner

Primary Examiner — Philip S Hyder

Assistant Examiner — Roselynn Cody

(74) *Attorney, Agent, or Firm* — P. Jeff Martin; The Law Firm of P. Jeffrey Martin, LLC

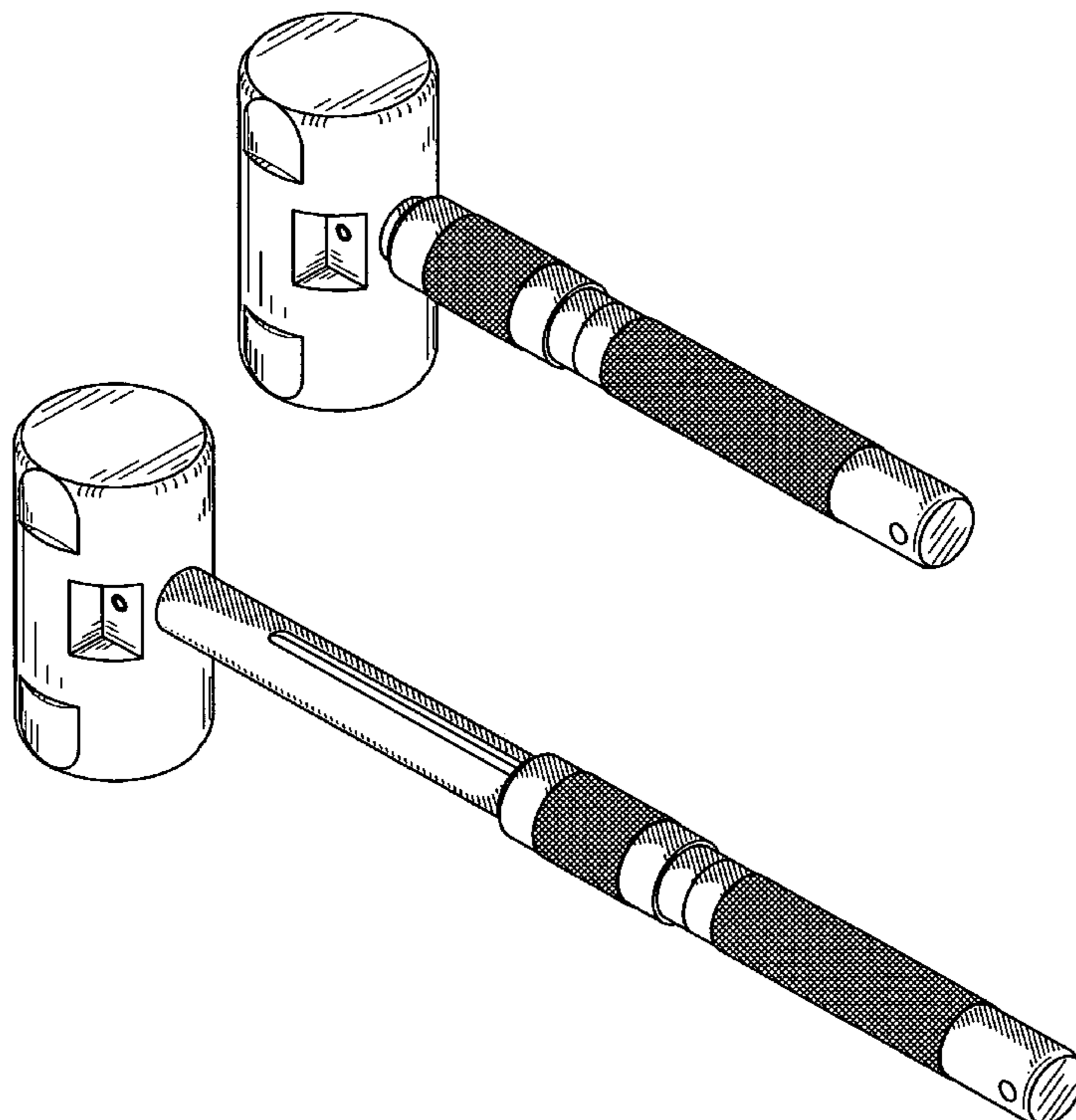
(57) **CLAIM**

The ornamental design for a breaching tool, as shown and described.

DESCRIPTION

FIG. 1 is a perspective view of a breaching tool showing my new design;
FIG. 2 is a perspective view of the breaching tool of FIG. 1 shown in an alternative, extended condition;
FIG. 3 is a top plan view of the breaching tool of FIG. 1;
FIG. 4 is a bottom plan of the breaching tool of FIG. 1;
FIG. 5 is a right side view of the breaching tool of FIG. 1;
FIG. 6 is a left side view of the breaching tool of FIG. 1;
FIG. 7 is a front end view of the breaching tool of FIG. 1; and,
FIG. 8 is a rear end view of the breaching tool of FIG. 1.

1 Claim, 3 Drawing Sheets



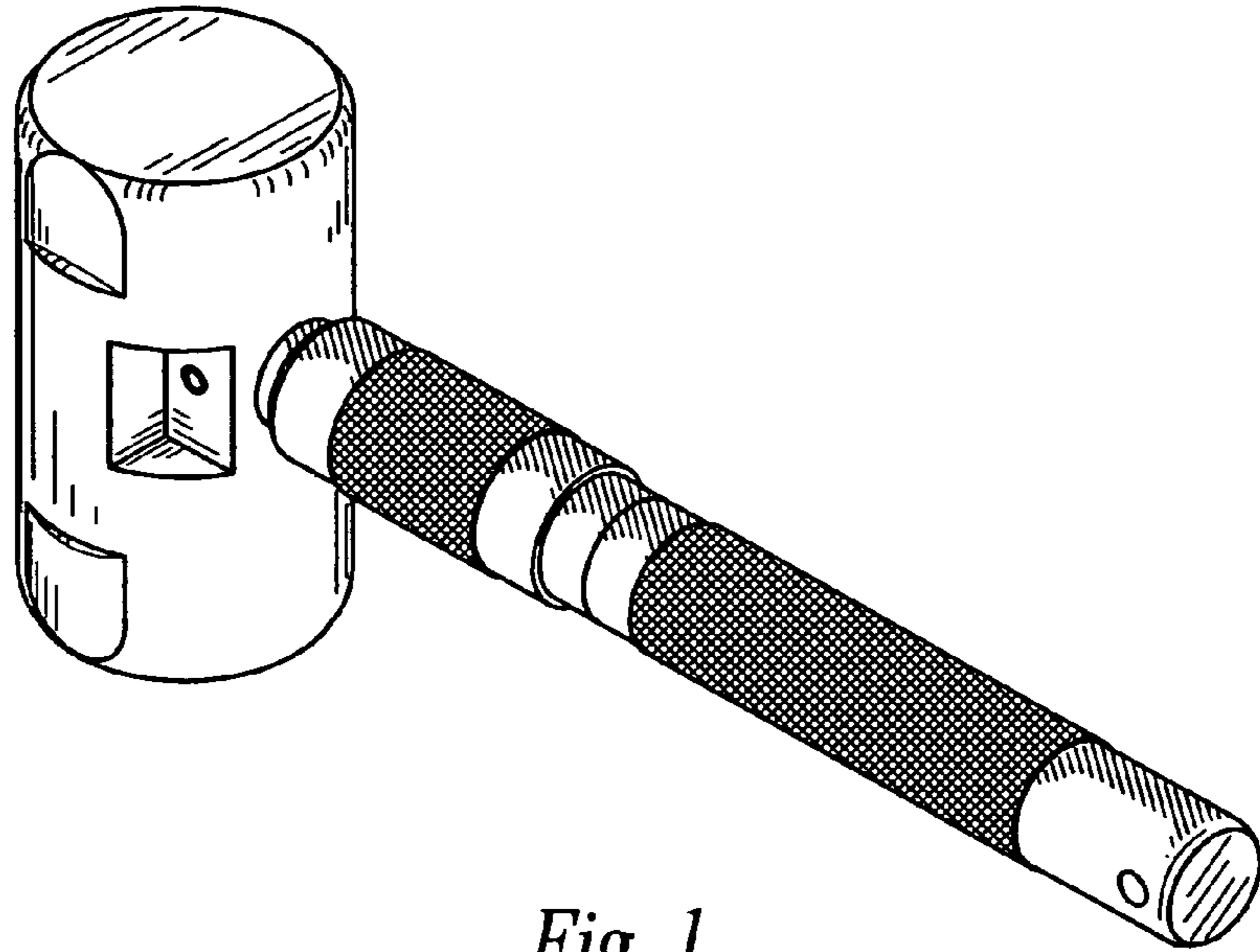


Fig. 1

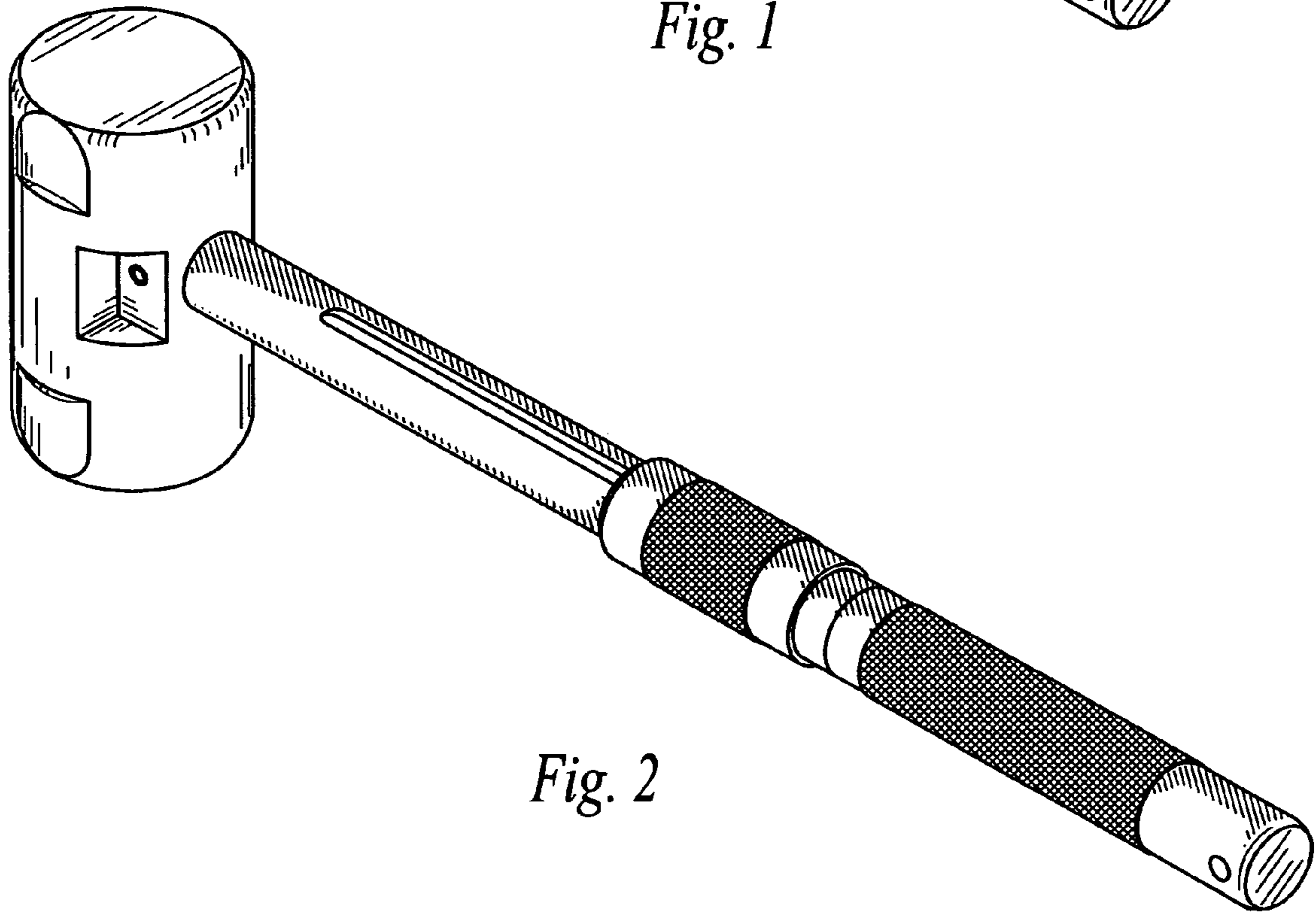
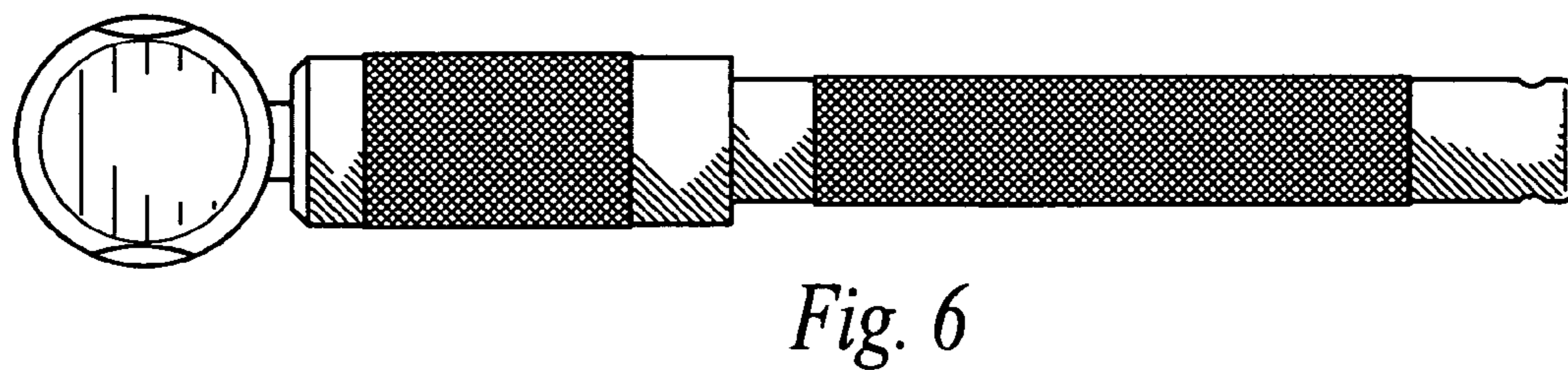
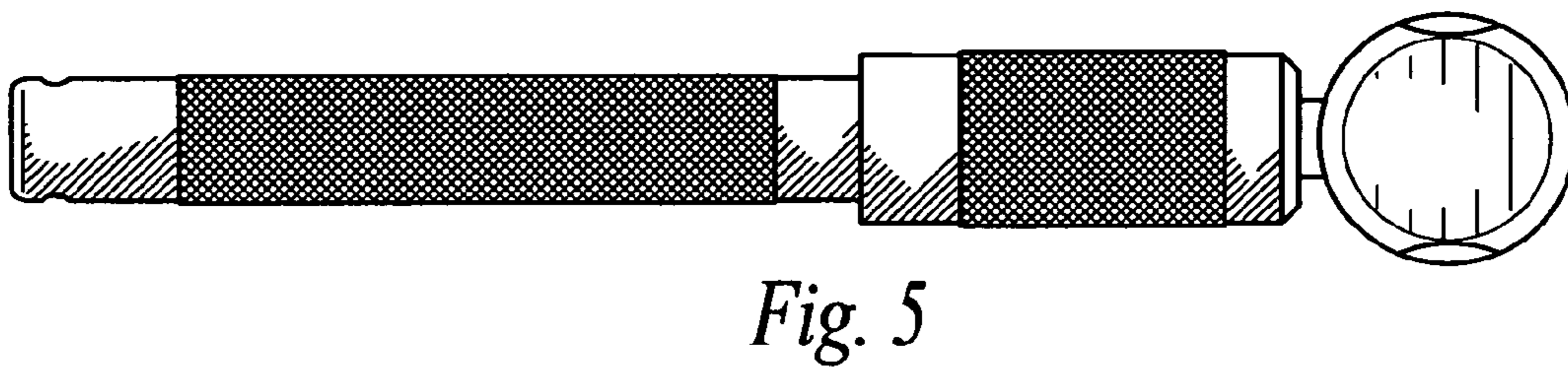
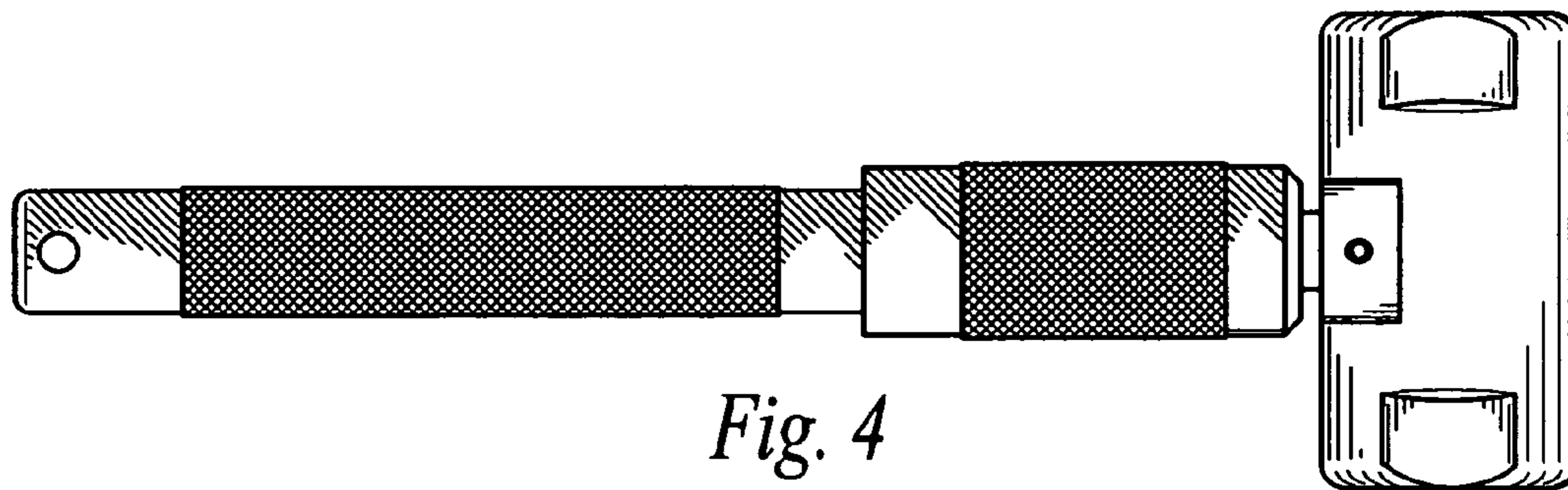
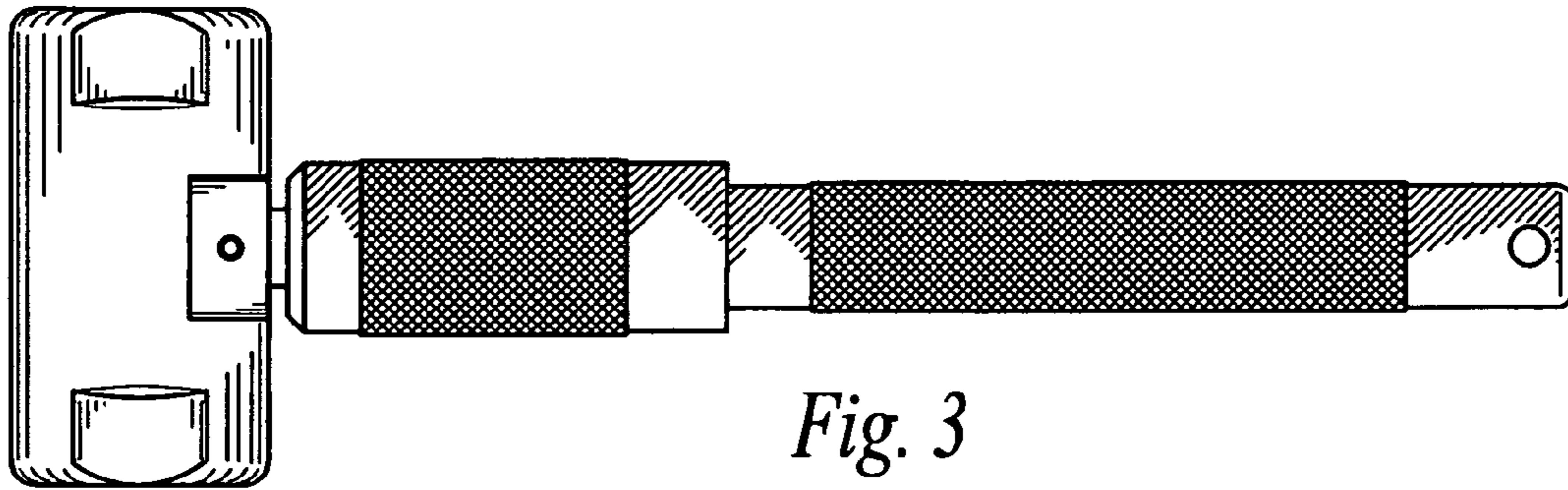


Fig. 2



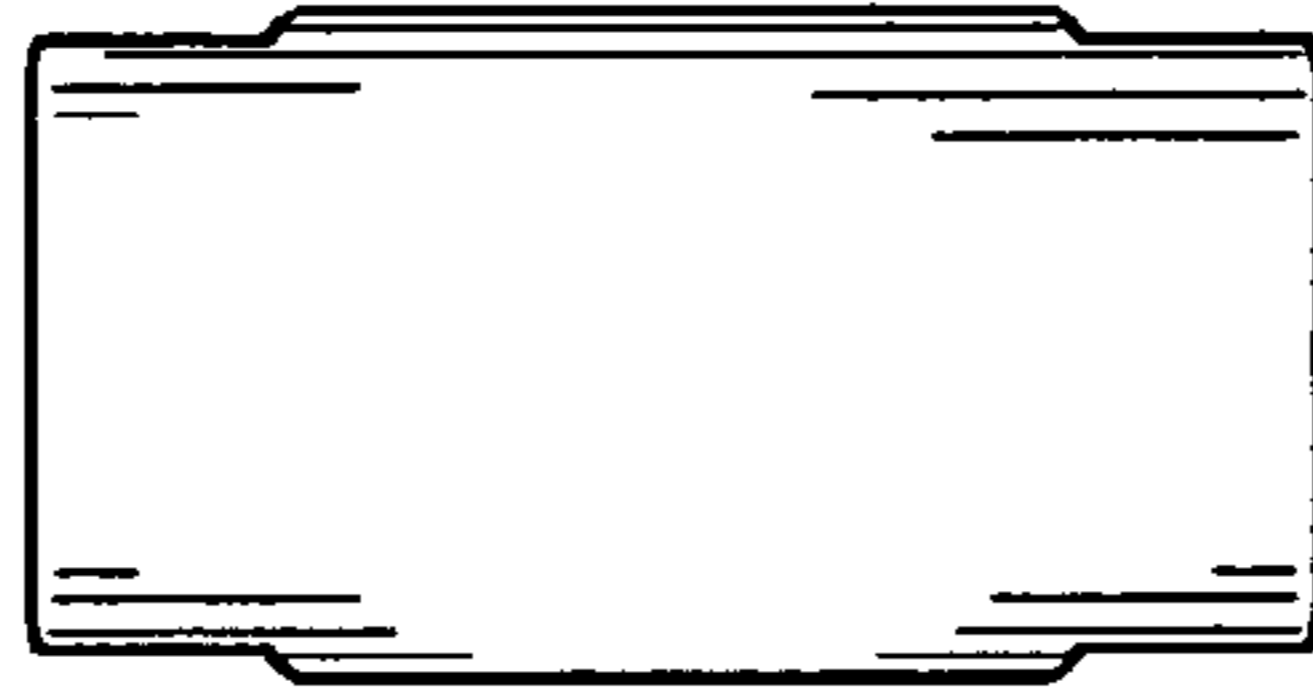


Fig. 7

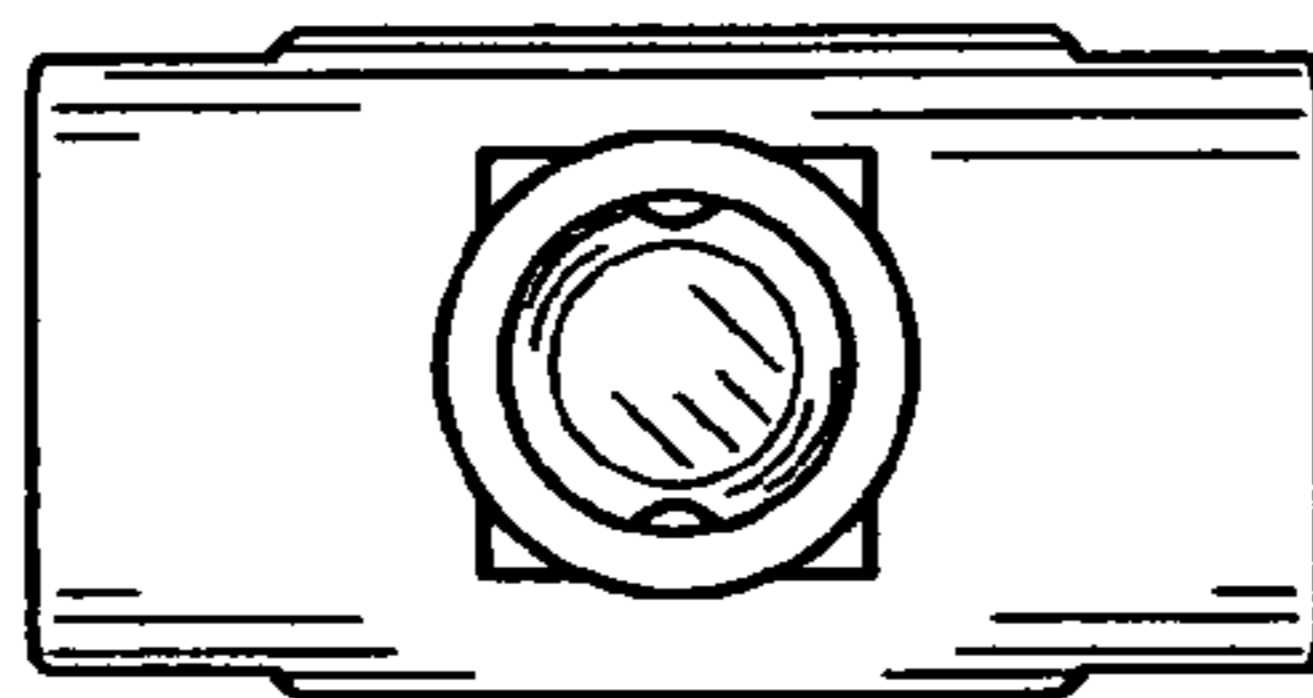


Fig. 8