



US00D651885S

(12) **United States Design Patent**
Banasik

(10) **Patent No.:** **US D651,885 S**
(45) **Date of Patent:** **** Jan. 10, 2012**

(54) **POCKET HOLE CLAMP**

- (75) Inventor: **Daniel P. Banasik**, Eagan, MN (US)
 - (73) Assignee: **Rockler Companies, Inc.**, Medina, MN (US)
 - (**) Term: **14 Years**
 - (21) Appl. No.: **29/340,365**
 - (22) Filed: **Jul. 17, 2009**
 - (51) **LOC (9) Cl.** **08-05**
 - (52) **U.S. Cl.** **D8/72**
 - (58) **Field of Classification Search** D8/71-74,
D8/394, 396, 355, 59; 248/689; 81/487;
269/3, 4, 6, 143, 165, 246-249, 147, 41,
269/154; 29/256, 257, 276; D15/140; D24/143;
408/103
- See application file for complete search history.

(56) **References Cited**

U.S. PATENT DOCUMENTS

1,442,076	A *	1/1923	Koll	269/249
1,474,119	A *	11/1923	Robertson	269/249
2,636,528	A *	4/1953	Golnick	269/249
2,991,669	A *	7/1961	Stock	269/154
4,162,785	A *	7/1979	Johnson	269/41
D252,995	S *	9/1979	Tiedemann, Jr.	D15/140
4,513,955	A *	4/1985	Daubon	269/41
6,691,993	B2 *	2/2004	Anton	269/147
D514,914	S *	2/2006	Degen	D8/72
D515,386	S *	2/2006	Noniewicz et al.	D8/72
D555,454	S *	11/2007	Noniewicz	D8/72
D557,098	S *	12/2007	Noniewicz	D8/72
7,387,296	B2 *	6/2008	Alberti	269/249

OTHER PUBLICATIONS

Photographs of over-center pocket hole clamp (blue) known prior to at least Jul. 1, 2009 (nine pages bearing nine color photographs).
 Screen prints of Kreg Tool Company website, showing "Right Angle Clamp" (Model No. KHC-RAC), "Face Clamps" (Model Nos. #KHC-PREMIUM, #KHC-LARGE, #KHC-XLARGE), and "90 Degree Corner Clamp" (Model No. KHC-90DCC), dated May 26, 2009 (four pages).
 Photos of "Universal" clamp, dated Jun. 29, 2009 (two pages bearing two photographs).

* cited by examiner

Primary Examiner — David Muller

(74) *Attorney, Agent, or Firm* — Altera Law Group, LLC

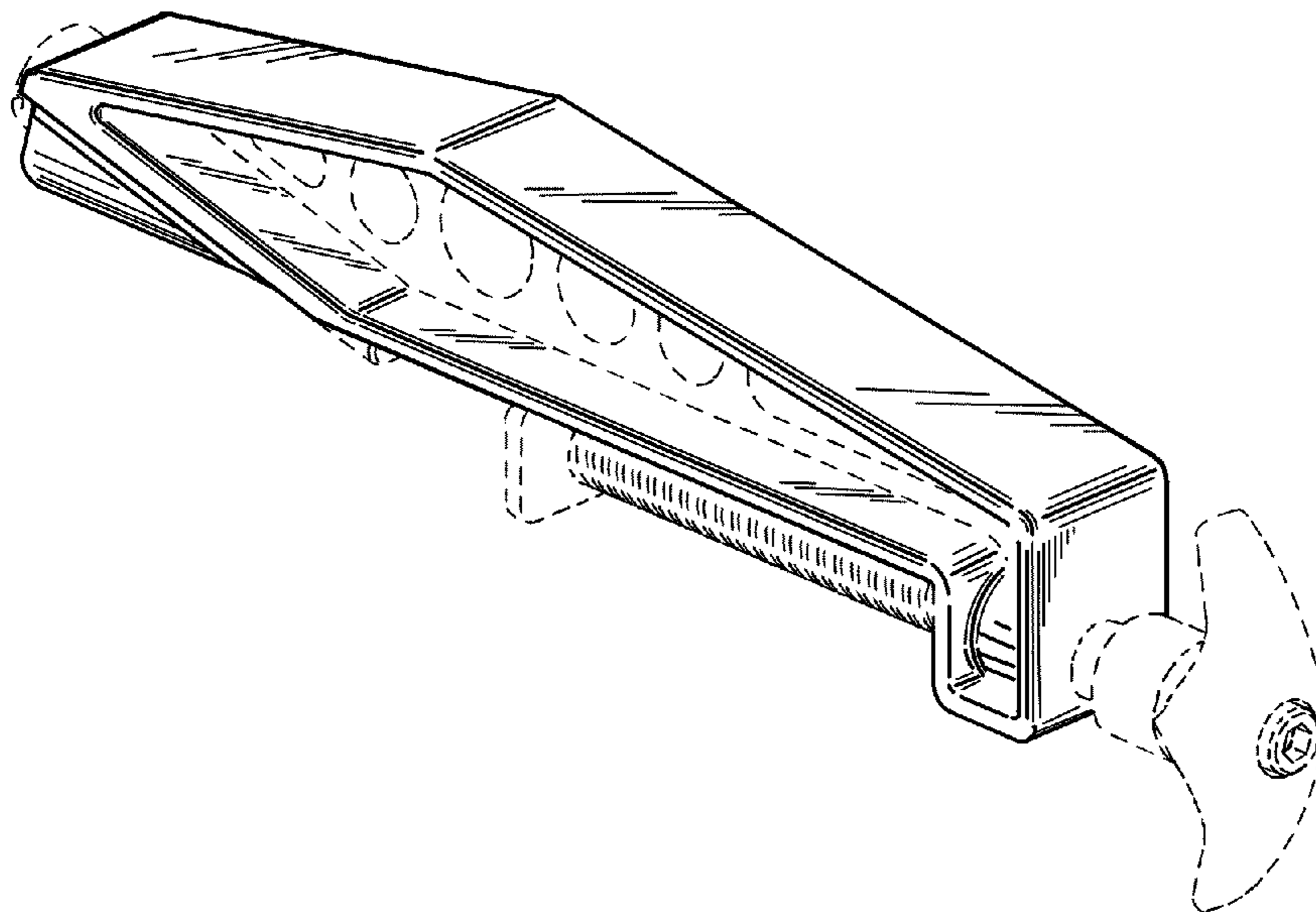
(57) **CLAIM**

The ornamental design for a pocket hole clamp, as shown and described.

DESCRIPTION

FIG. 1 is an isometric view of the pocket hole clamp;
 FIG. 2 is a side view thereof, as taken from the right side in FIG. 1;
 FIG. 3 is a side view thereof, as taken from the left side in FIG. 1;
 FIG. 4 is a front end view thereof (from the right as seen in FIG. 1);
 FIG. 5 is a rear end view thereof (from the left as seen in FIG. 1);
 FIG. 6 is a top view thereof; and,
 FIG. 7 is a bottom view thereof.
 The features shown in broken lines in the drawing figures depict environmental subject matter only and form no part of the claimed design.

1 Claim, 6 Drawing Sheets



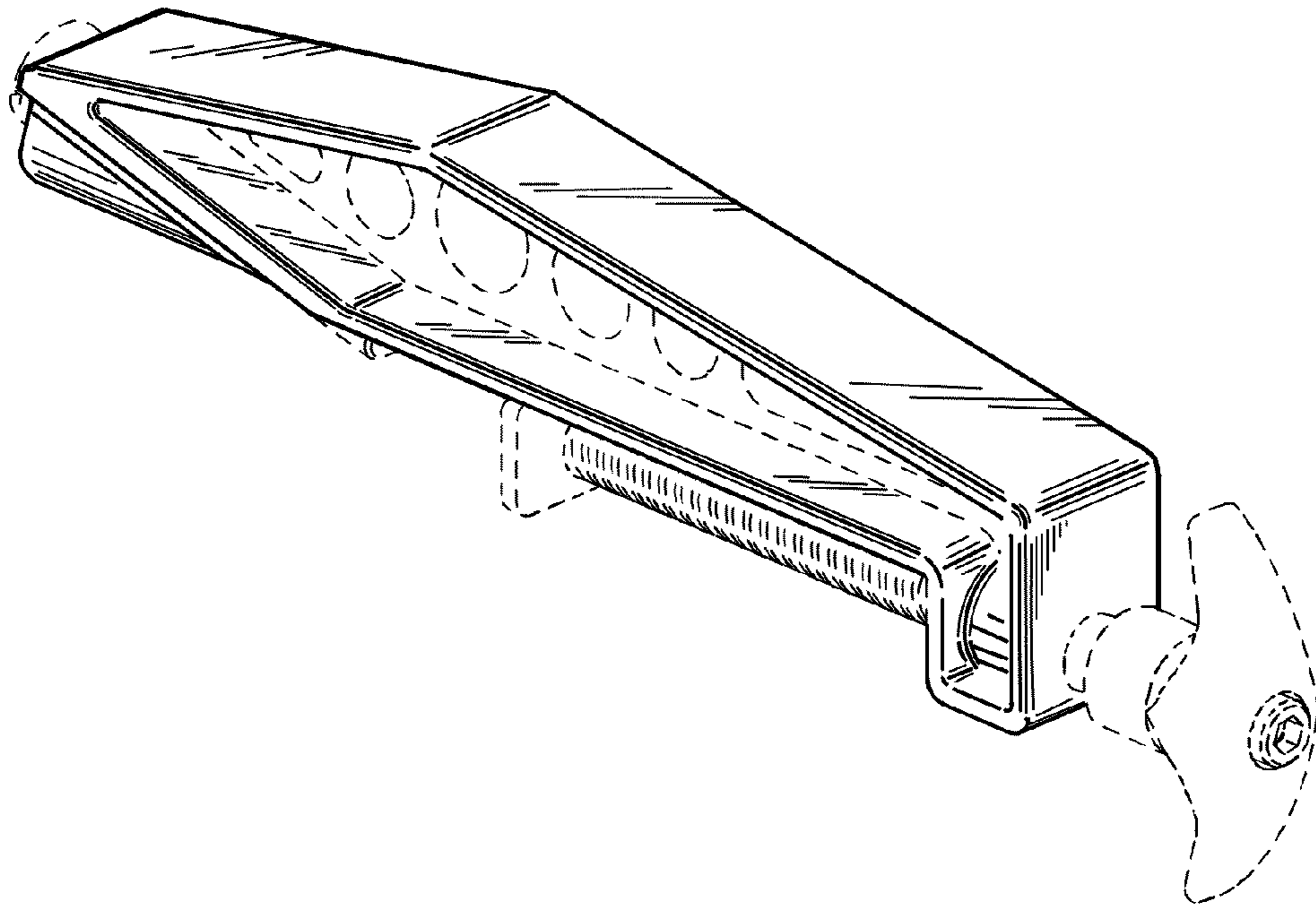


Fig. 1

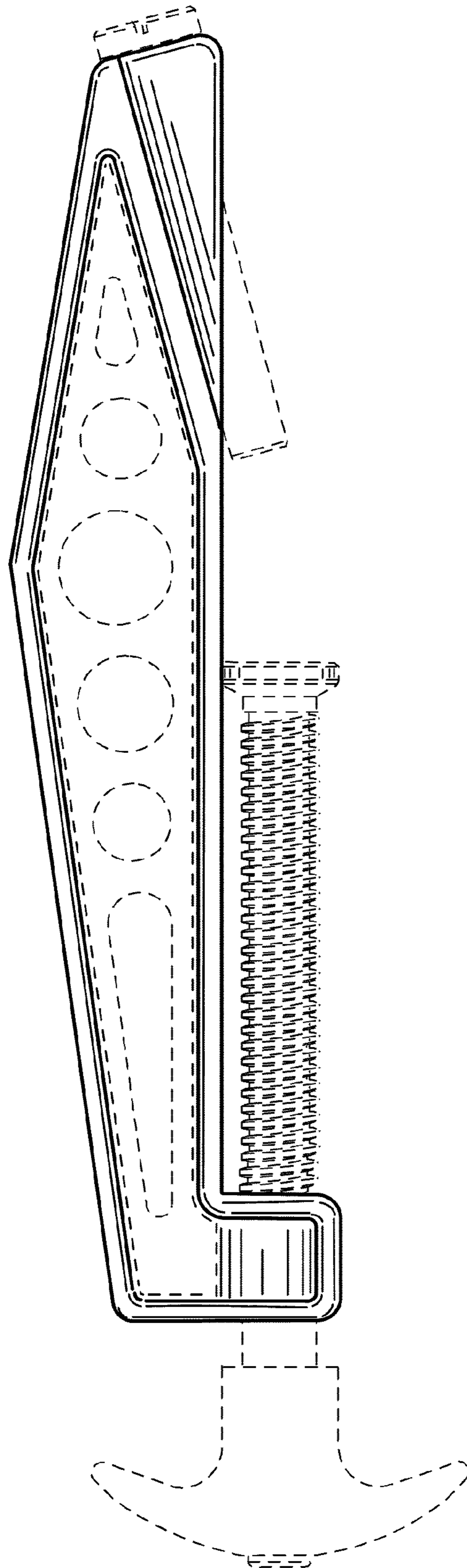


Fig. 2

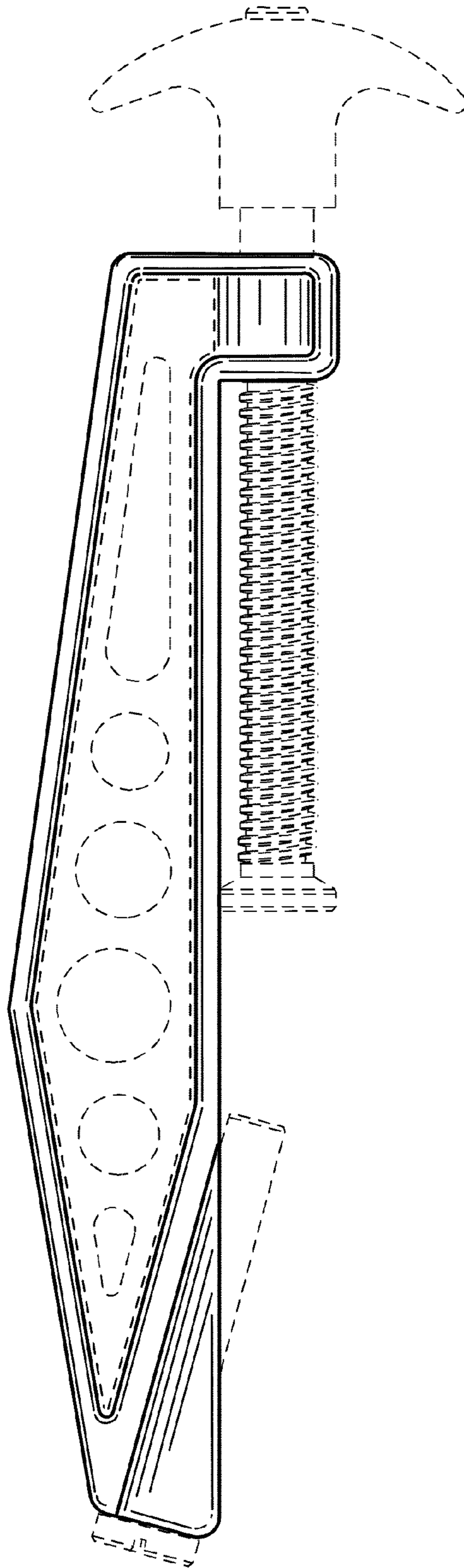


Fig. 3

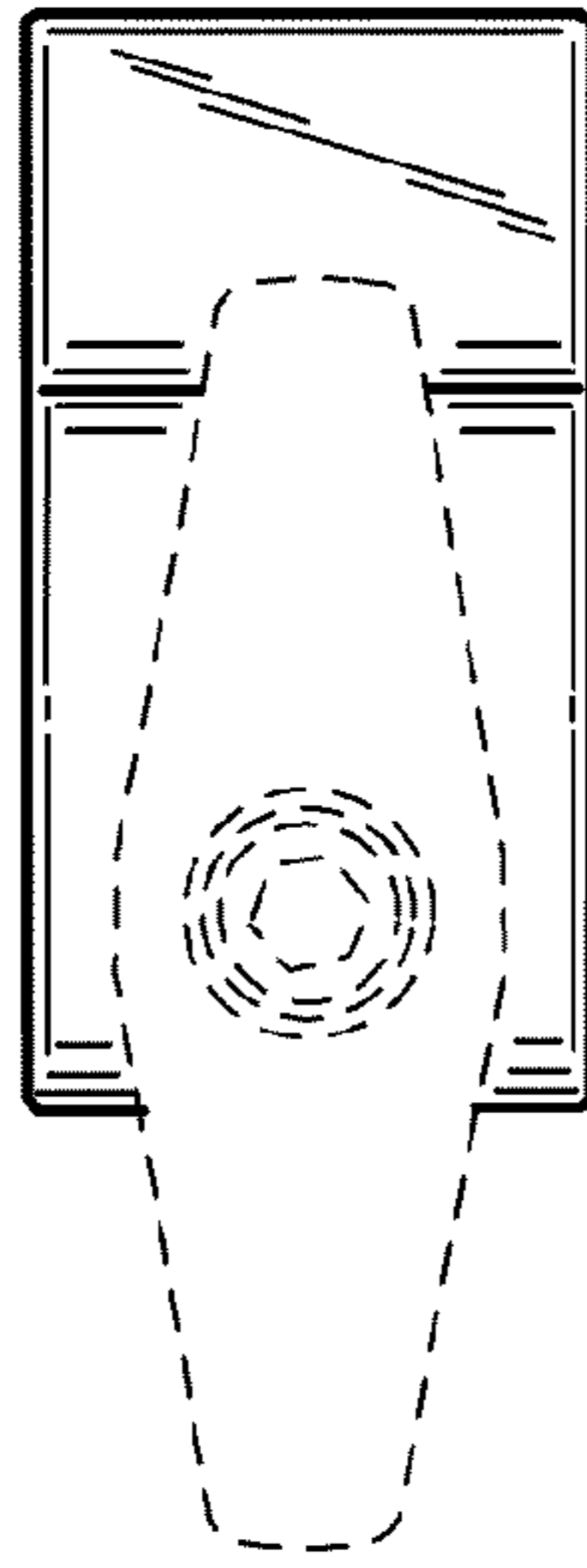


Fig. 4

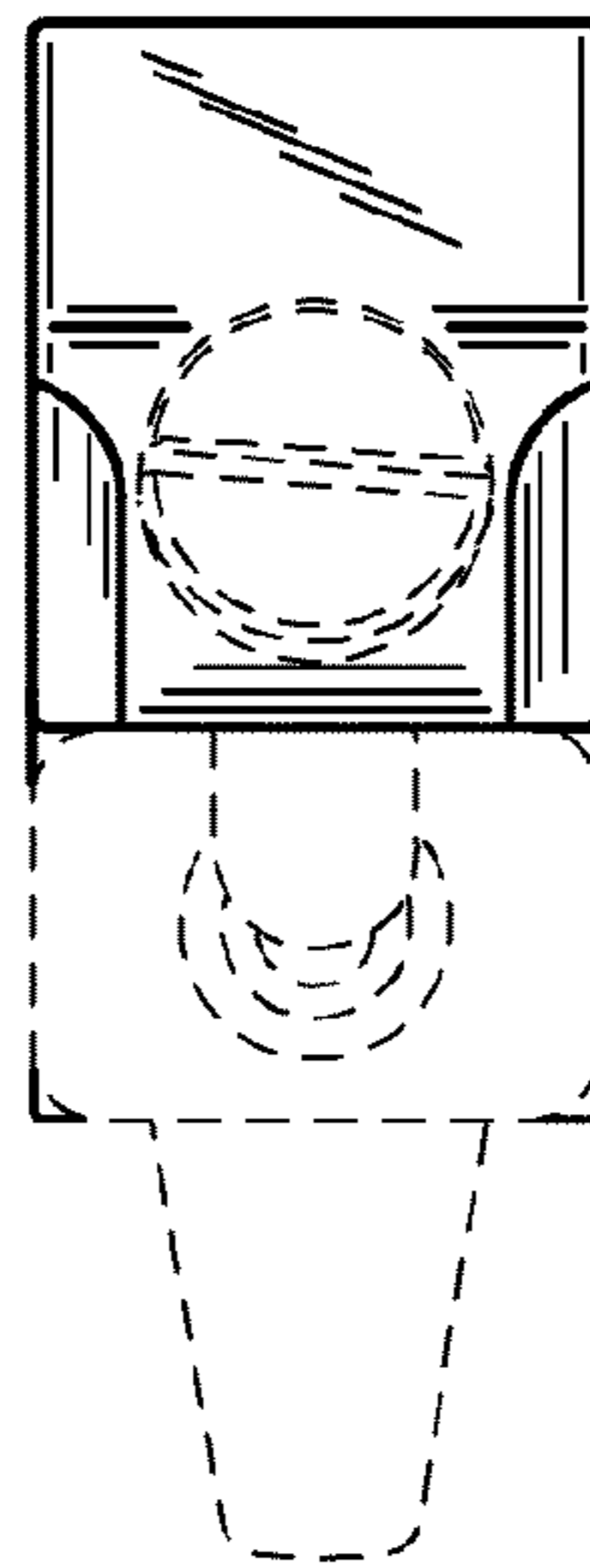


Fig. 5

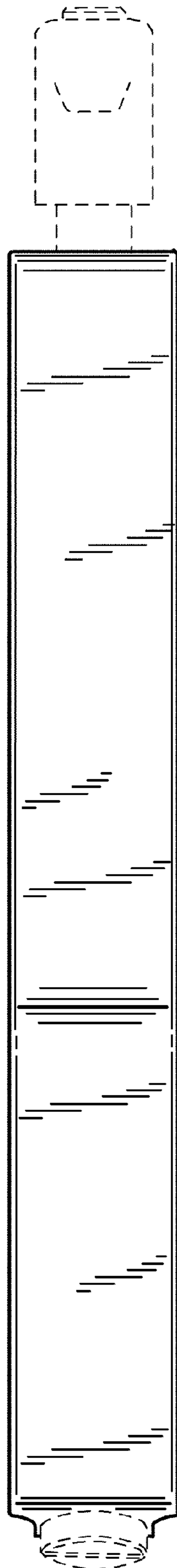


Fig. 6

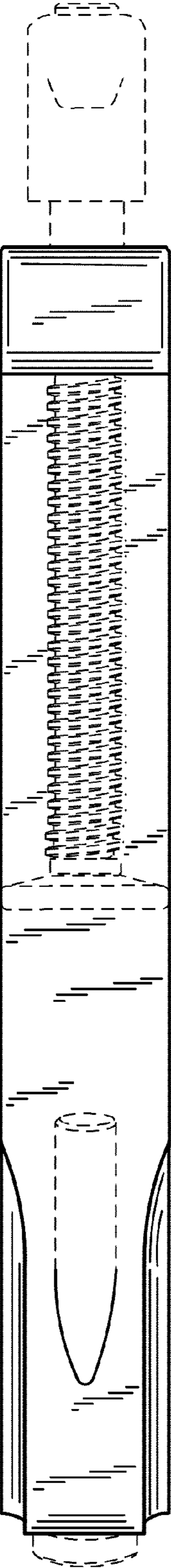


Fig. 7