



US00D651882S

(12) **United States Design Patent**
Zhou et al.

(10) **Patent No.:** **US D651,882 S**
(45) **Date of Patent:** **** Jan. 10, 2012**

(54) **ELECTRIC CIRCULAR SAW**
(75) Inventors: **Haowei Zhou**, Ningbo (CN); **Lijun Huang**, Ningbo (CN)
(73) Assignee: **Fenghua Weilder Electric Appliance Co., Ltd.**, Fenghua, Ningbo, Zhejiang Province (CN)

4,976,034 A * 12/1990 Whitman 30/370
4,979,307 A * 12/1990 Ste. Marie 30/388
D375,439 S * 11/1996 Niwa et al. D8/66
D401,827 S * 12/1998 Lui D8/66
D433,907 S * 11/2000 Fuchs et al. D8/64
6,810,970 B1 * 11/2004 Kraenzler et al. 173/217
D564,850 S * 3/2008 Bakker D8/61
D577,556 S * 9/2008 O'Hern D8/64
D586,636 S * 2/2009 Aglassinger D8/66
D642,886 S * 8/2011 Sciamma D8/66

(**) Term: **14 Years**
(21) Appl. No.: **29/392,547**
(22) Filed: **May 23, 2011**

* cited by examiner

Primary Examiner — Austin Murphy
(74) *Attorney, Agent, or Firm* — Global IP Services; Tianhua Gu

(30) **Foreign Application Priority Data**
Mar. 8, 2011 (CN) 2011 3 0036875
(51) **LOC (9) Cl.** **08-03**
(52) **U.S. Cl.** **D8/66**
(58) **Field of Classification Search** D8/69,
D8/68, 67, 66, 64, 61, 70; 83/698.41, 747,
83/166.3, 374, 373, 375, 376, 391, 377, 390,
83/388, 389; 125/13.01; 144/218; D21/532
See application file for complete search history.

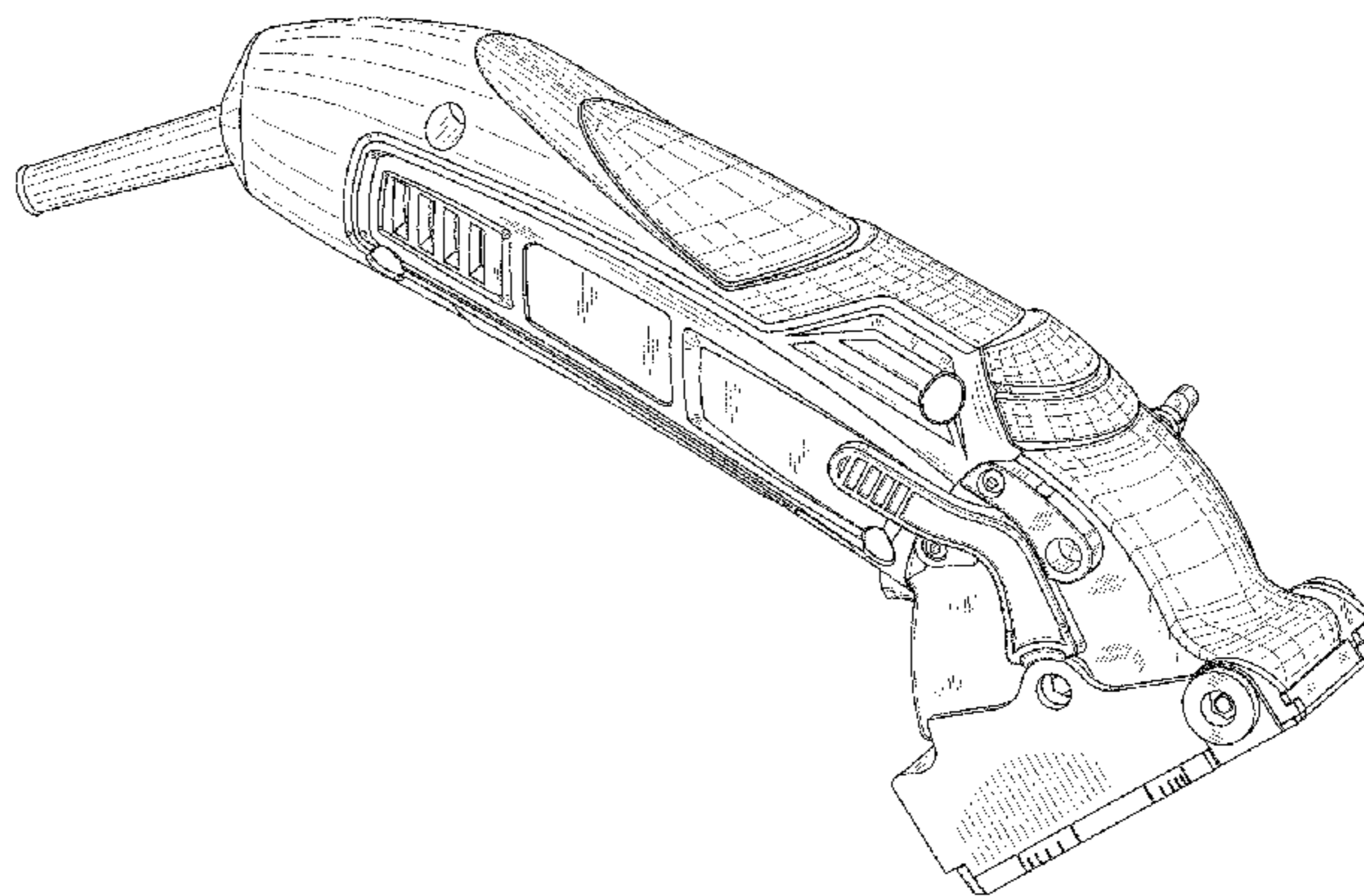
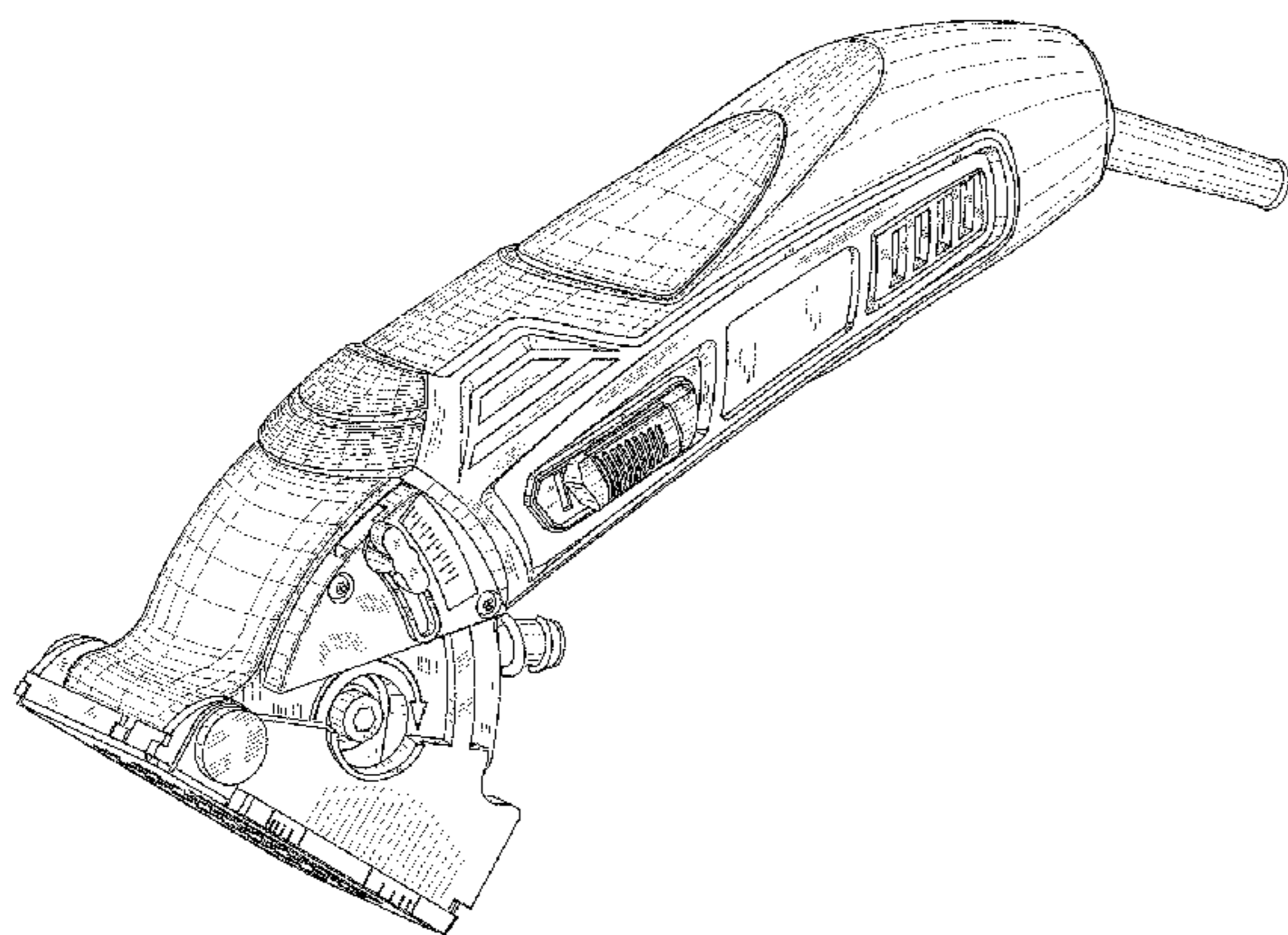
(57) **CLAIM**
The ornamental design for a electric circular saw, as shown and described.

(56) **References Cited**
U.S. PATENT DOCUMENTS
D177,063 S * 3/1956 Nesbitt D8/61
D303,346 S * 9/1989 Ogawa D8/61

DESCRIPTION

FIG. 1 is a front elevation view of a electric circular saw showing my new design;
FIG. 2 is a rear elevation thereof;
FIG. 3 is a left side elevation view thereof;
FIG. 4 is a right side elevation view thereof;
FIG. 5 is a top plan view thereof;
FIG. 6 is a bottom plan view thereof;
FIG. 7 is a front elevation view thereof; and,
FIG. 8 is a rear elevation view thereof.

1 Claim, 5 Drawing Sheets



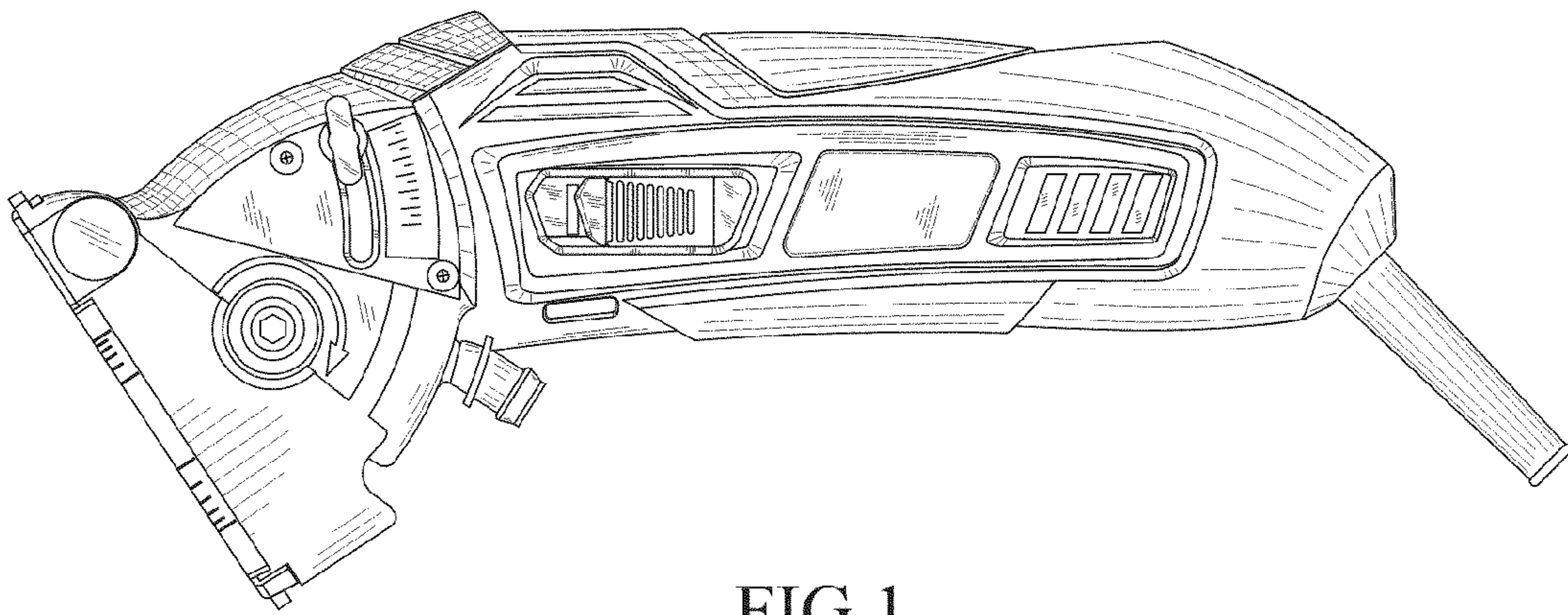


FIG.1

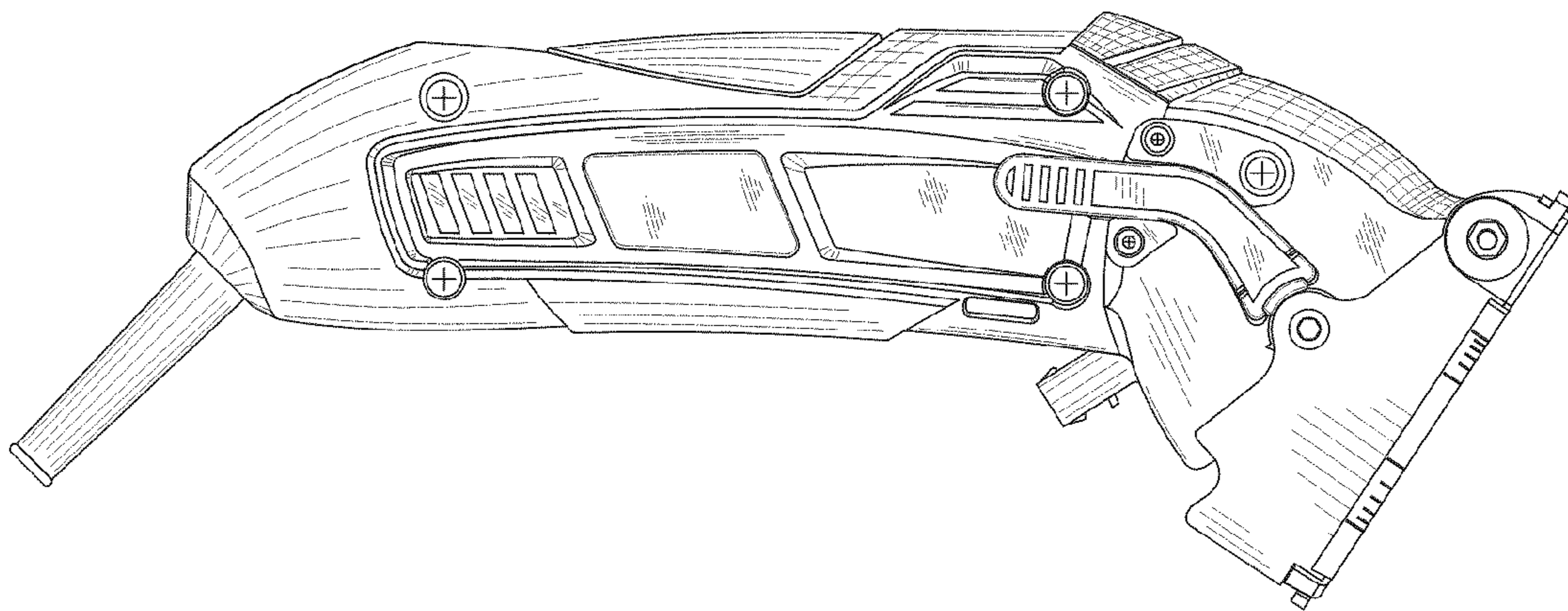


FIG.2

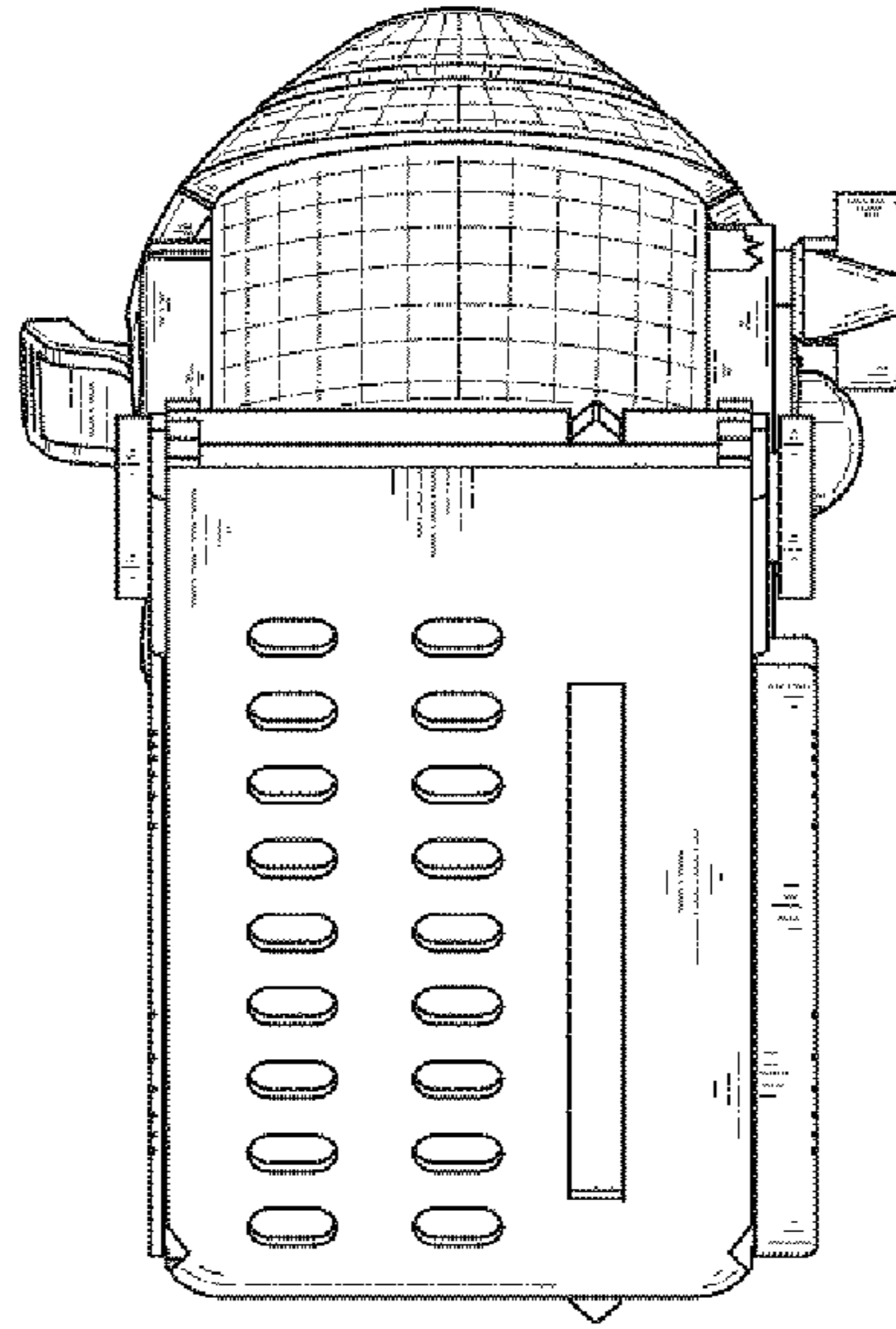


FIG.3

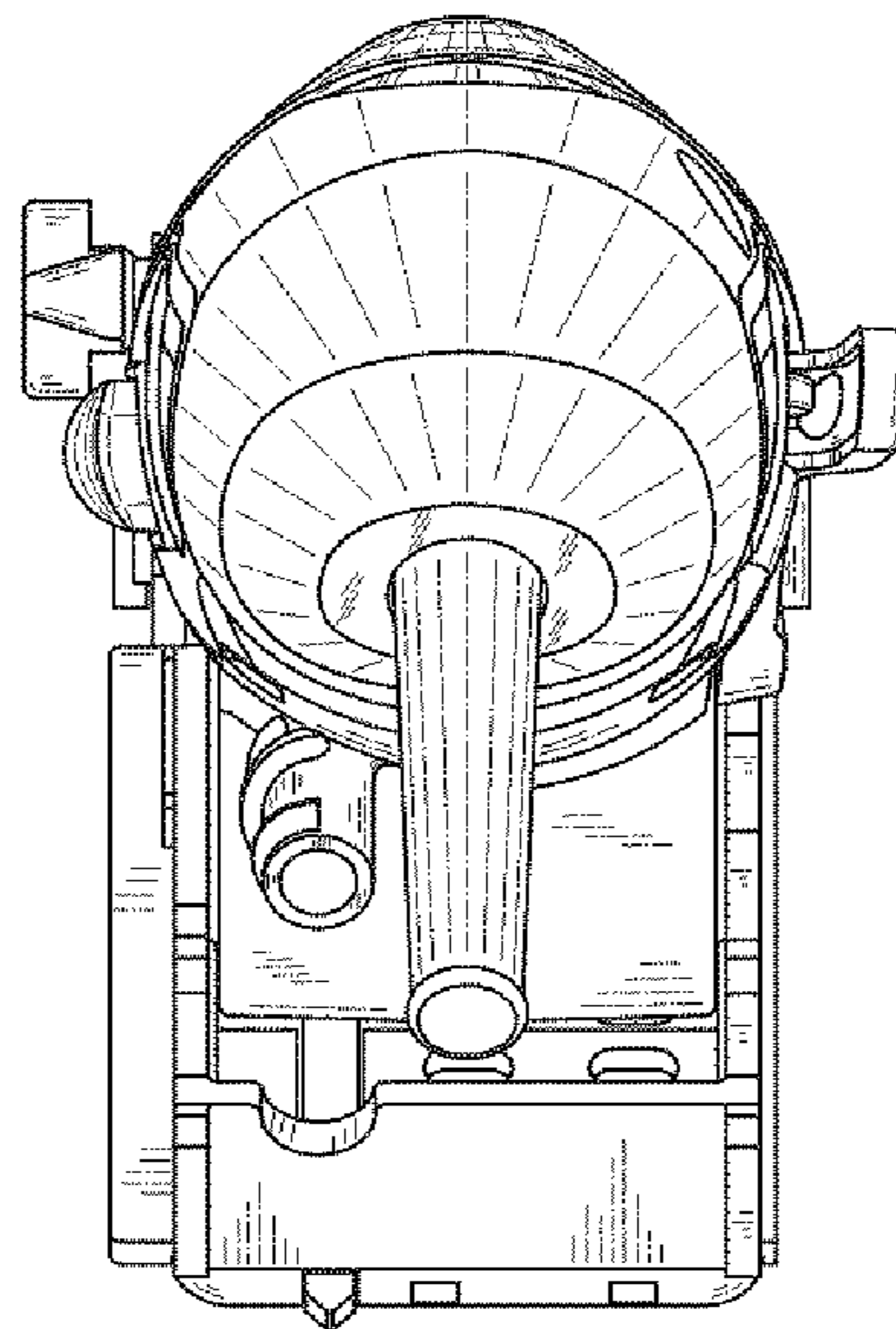


FIG.4

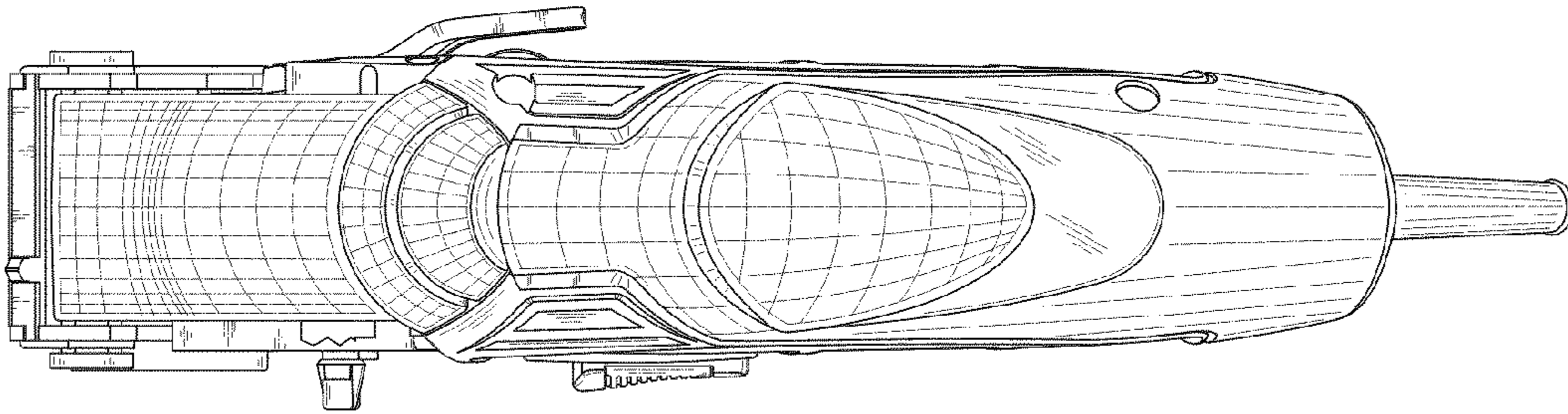


FIG. 5

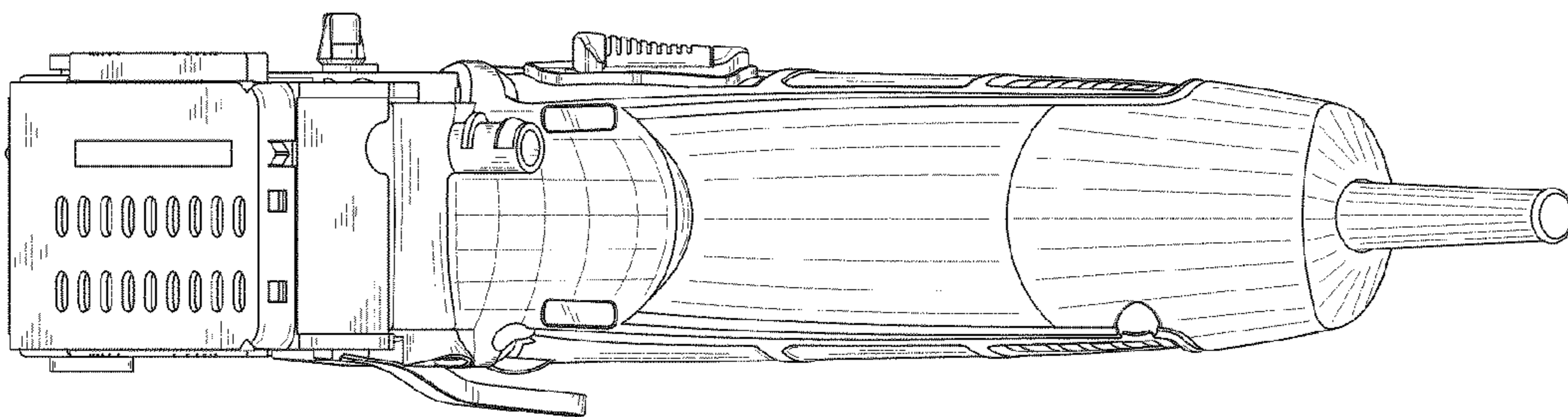


FIG. 6

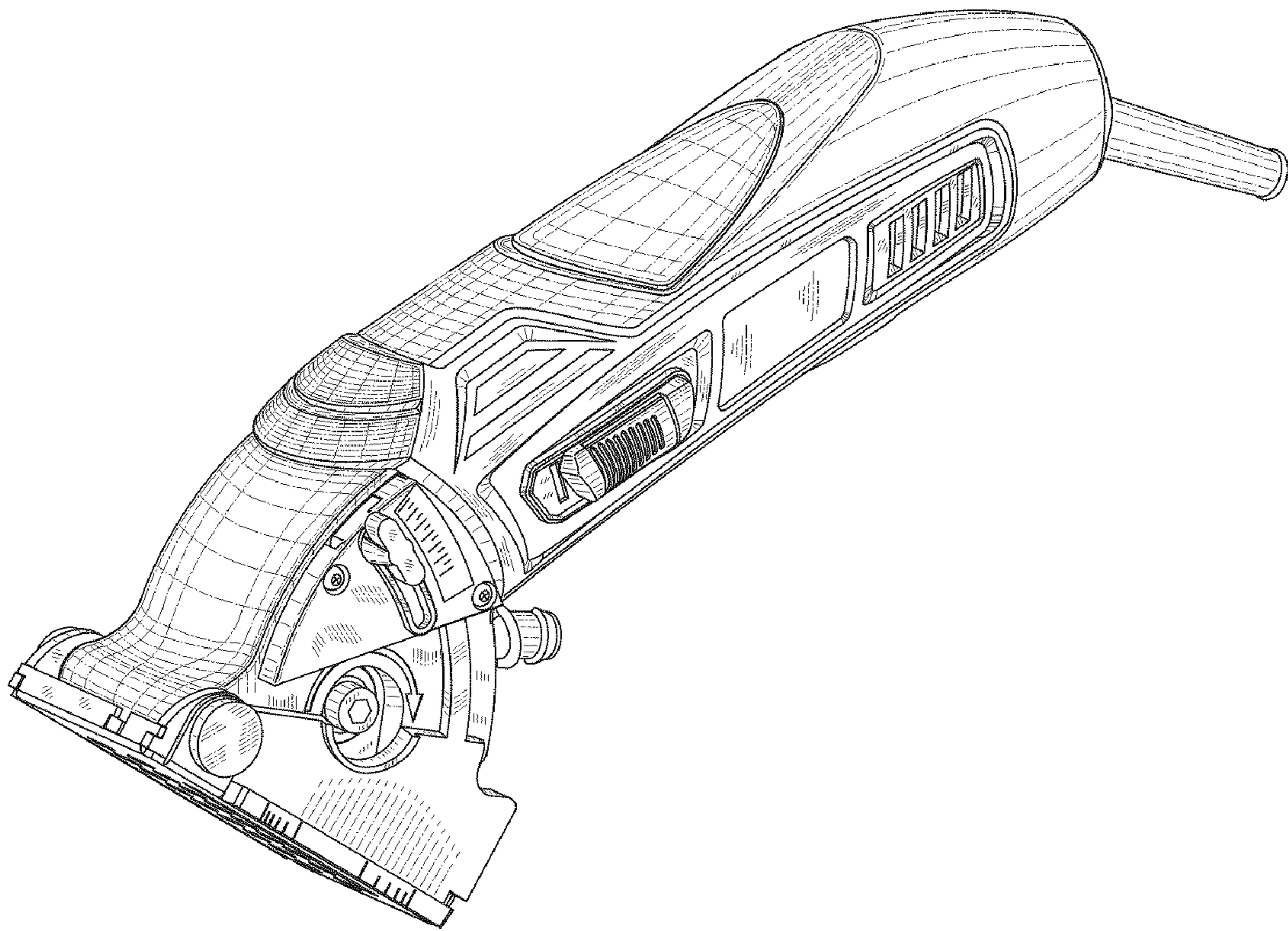


FIG. 7

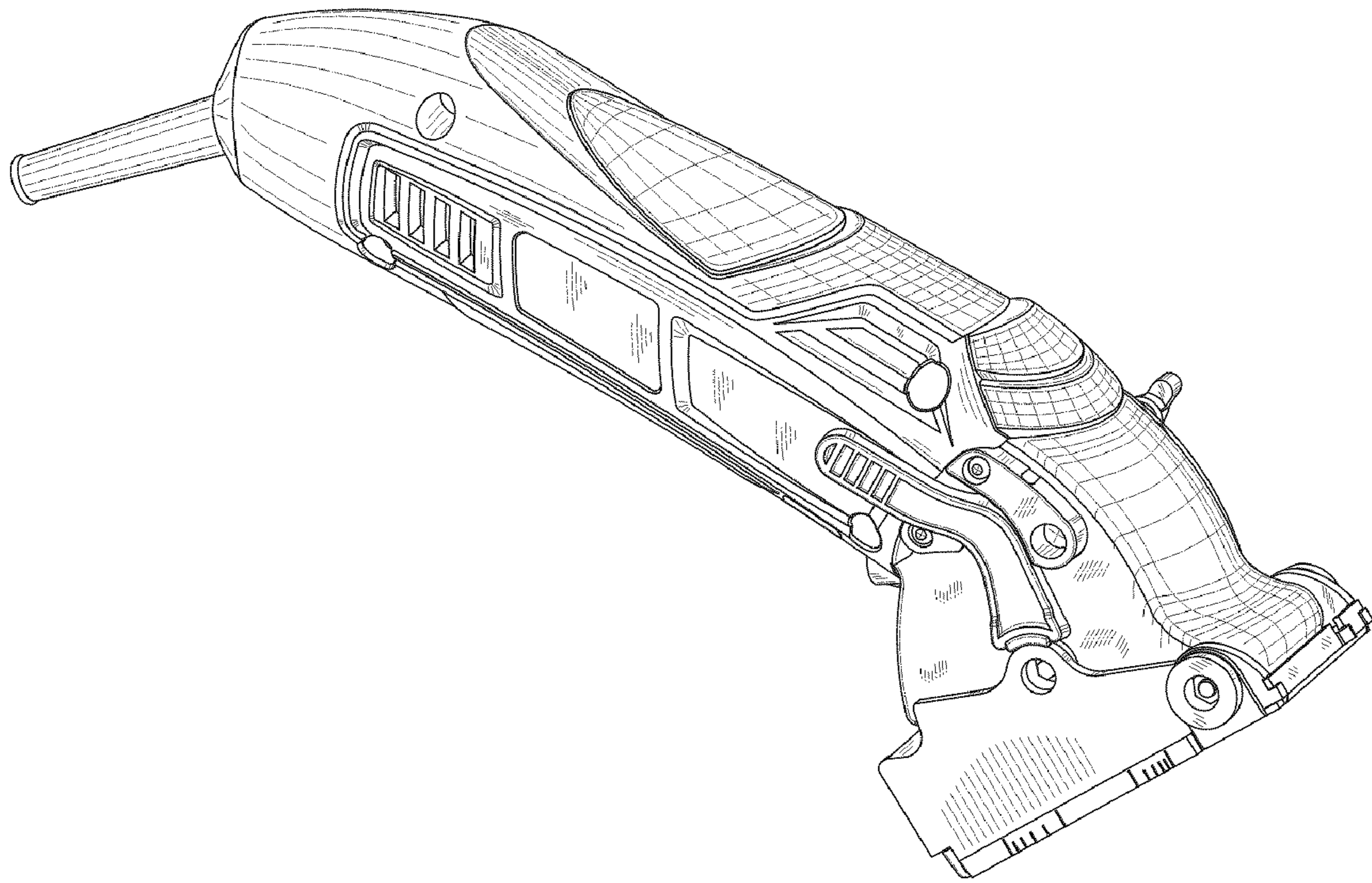


FIG.8