



US00D651881S

(12) **United States Design Patent**  
**Blockburger**

(10) **Patent No.:** **US D651,881 S**  
(45) **Date of Patent:** **\*\* Jan. 10, 2012**

(54) **GRIPPER TOOL**

(75) Inventor: **Jerrod A. Blockburger**, Rogers, AR  
(US)

(73) Assignee: **Bo Sports, LLC**, Rogers, AR (US)

(\*\*) Term: **14 Years**

(21) Appl. No.: **29/373,657**

(22) Filed: **May 6, 2011**

(51) **LOC (9) Cl.** ..... **08-05**

(52) **U.S. Cl.** ..... **D8/52**

(58) **Field of Classification Search** ..... D8/99,  
D8/98, 93, 63, 61, 58, 57, 56, 55, 53, 5, 107,  
D8/104, 105, 52, 51, 29.1; D24/148, 149;  
D21/532; 7/106, 107; 81/427.5, 9.44, 9.43;  
30/90.1, 90.6

See application file for complete search history.

(56) **References Cited**

**U.S. PATENT DOCUMENTS**

2,055,270	A *	9/1936	Villard et al.	30/186
2,495,308	A *	1/1950	Amigone	81/3.44
D172,591	S *	7/1954	Gauthier	D8/52
D178,041	S *	6/1956	Crump	D8/52
D229,052	S *	11/1973	Courtney	D22/150
D298,729	S *	11/1988	Chase et al.	D8/52
D334,123	S *	3/1993	Barclay et al.	D8/39
5,531,141	A *	7/1996	Gilbert, Jr.	81/426.5
D405,333	S *	2/1999	Wrigley	D8/52
6,012,362	A *	1/2000	Wang	81/368
D430,782	S *	9/2000	Renner	D8/52
6,212,977	B1 *	4/2001	Liou	81/323
6,354,579	B1	3/2002	Lawrence	269/157
6,386,077	B1	5/2002	Hartman	81/426
D458,822	S *	6/2002	Peperkorn et al.	D8/52

D470,029	S *	2/2003	Wolff	D8/72
D470,384	S *	2/2003	Makedonski	D8/105
D476,208	S *	6/2003	Lee	D8/52
D491,434	S *	6/2004	Noniewicz	D8/58
D543,813	S *	6/2007	Tutorow	D8/52
7,272,994	B1	9/2007	Johnson	81/13
D558,013	S *	12/2007	Sykes, II	D8/52
7,334,785	B2	2/2008	Bortoli	269/287
D563,745	S *	3/2008	DeVries et al.	D8/52
D571,631	S *	6/2008	Gandy, III	D8/52
D572,552	S *	7/2008	Feliciano	D8/52
D605,917	S *	12/2009	Sands	D8/52

\* cited by examiner

*Primary Examiner* — Austin Murphy

(74) *Attorney, Agent, or Firm* — Keisling & Pieper PLC;  
Meredith K. Lowry

(57) **CLAIM**

The ornamental design for a gripper tool, as shown.

**DESCRIPTION**

FIG. 1 is a perspective view of a gripper tool showing my new design;

FIG. 2 is an enlarged front and left perspective view of the interior gripping surface shown separately for completeness of illustration;

FIG. 3 is a left side elevational view of the gripper tool;

FIG. 4 is a front elevational view thereof;

FIG. 5 is a right side elevational view thereof;

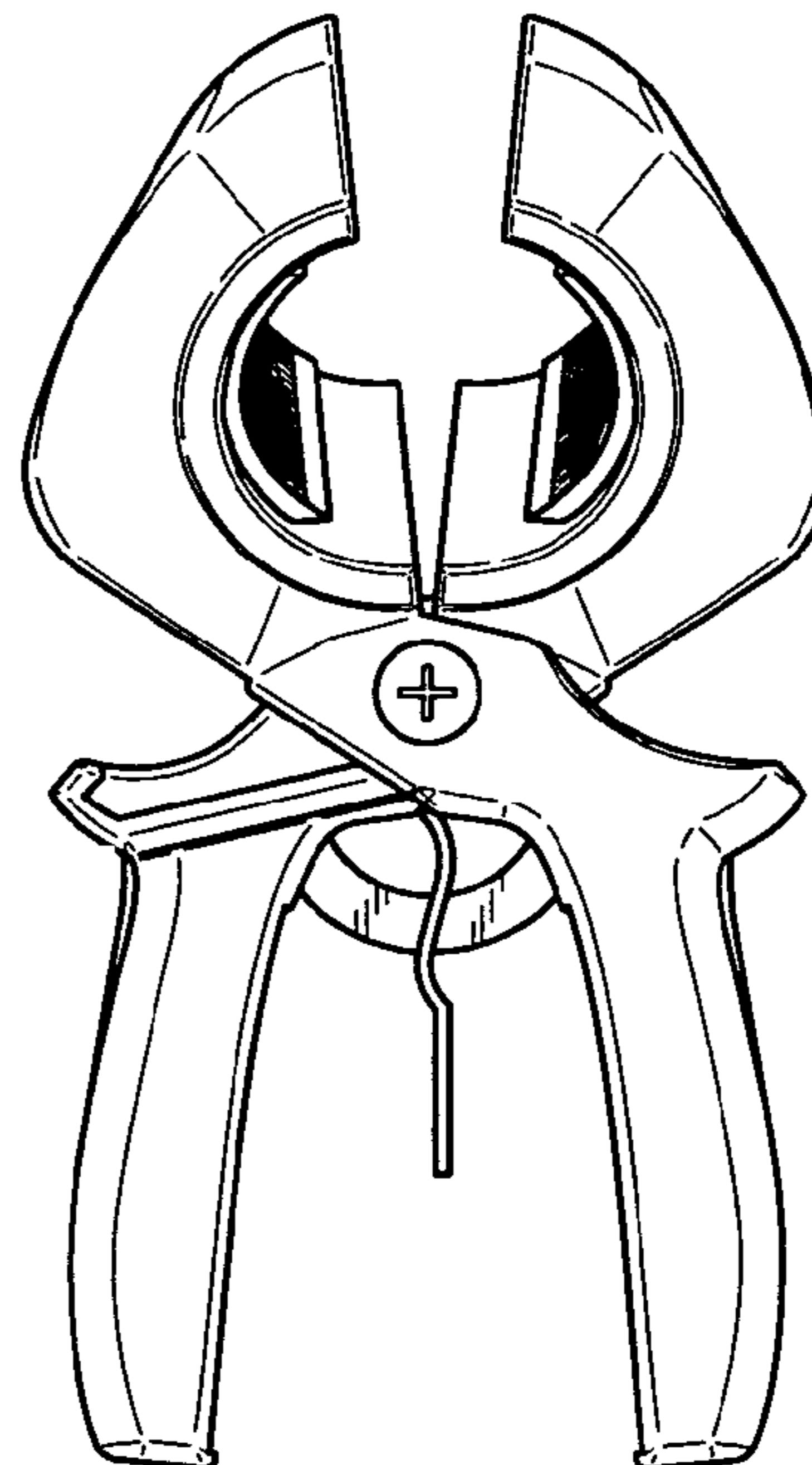
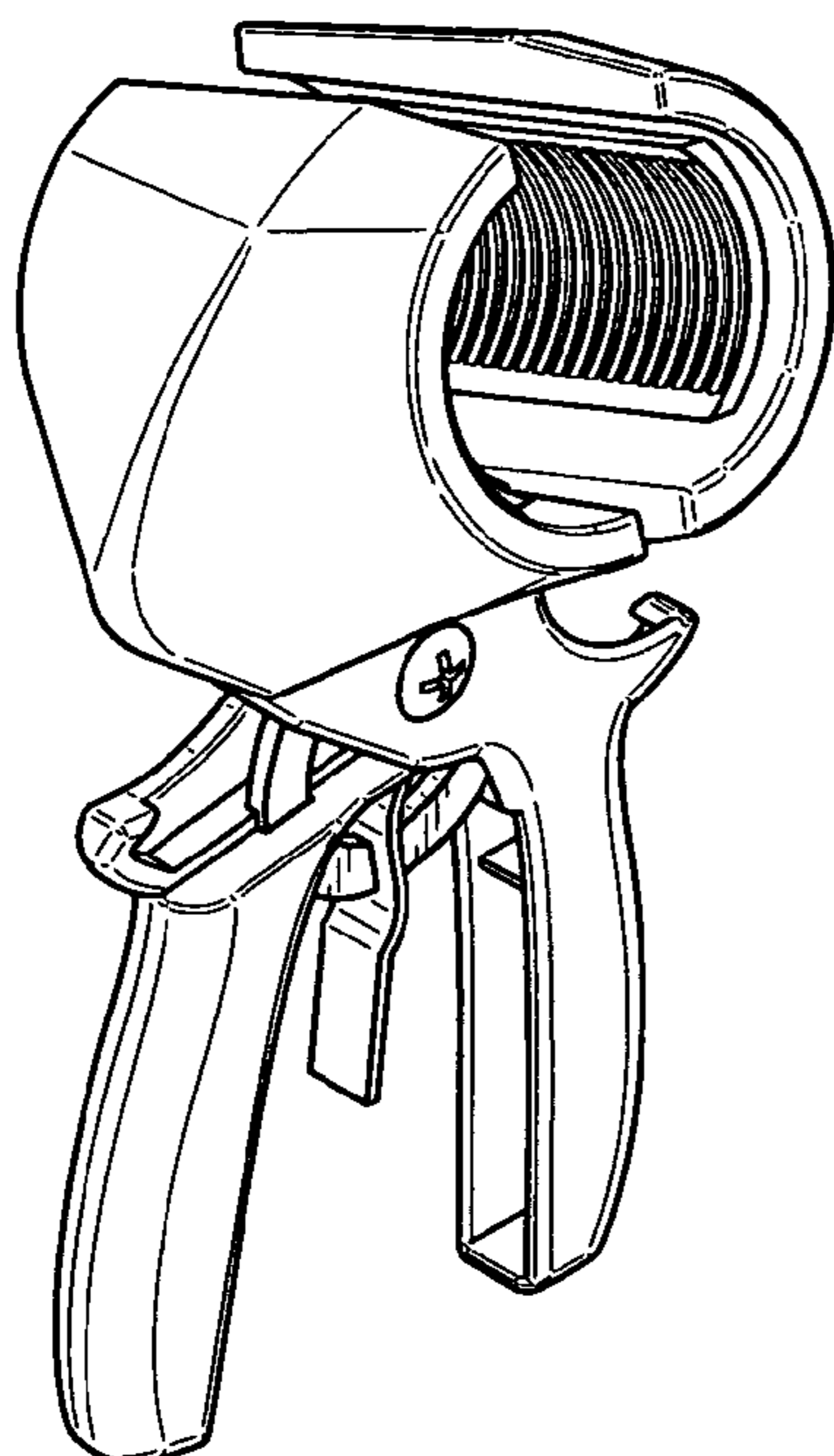
FIG. 6 is a top plan view thereof; and

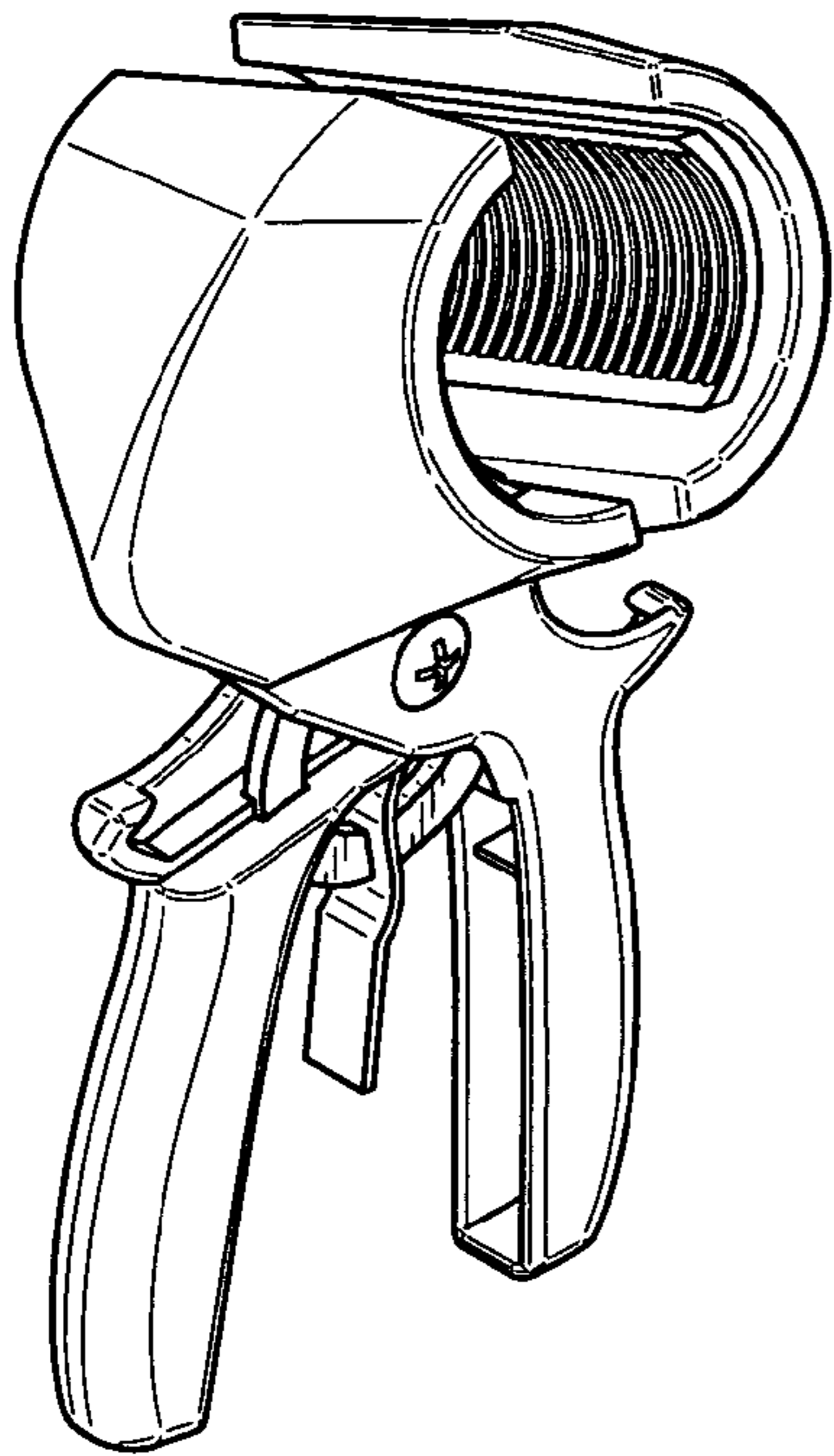
FIG. 7 is a rear elevational side thereof, showing the gripper tool partially open;

FIG. 8 is a rear elevational side thereof, showing the gripper tool closed; and,

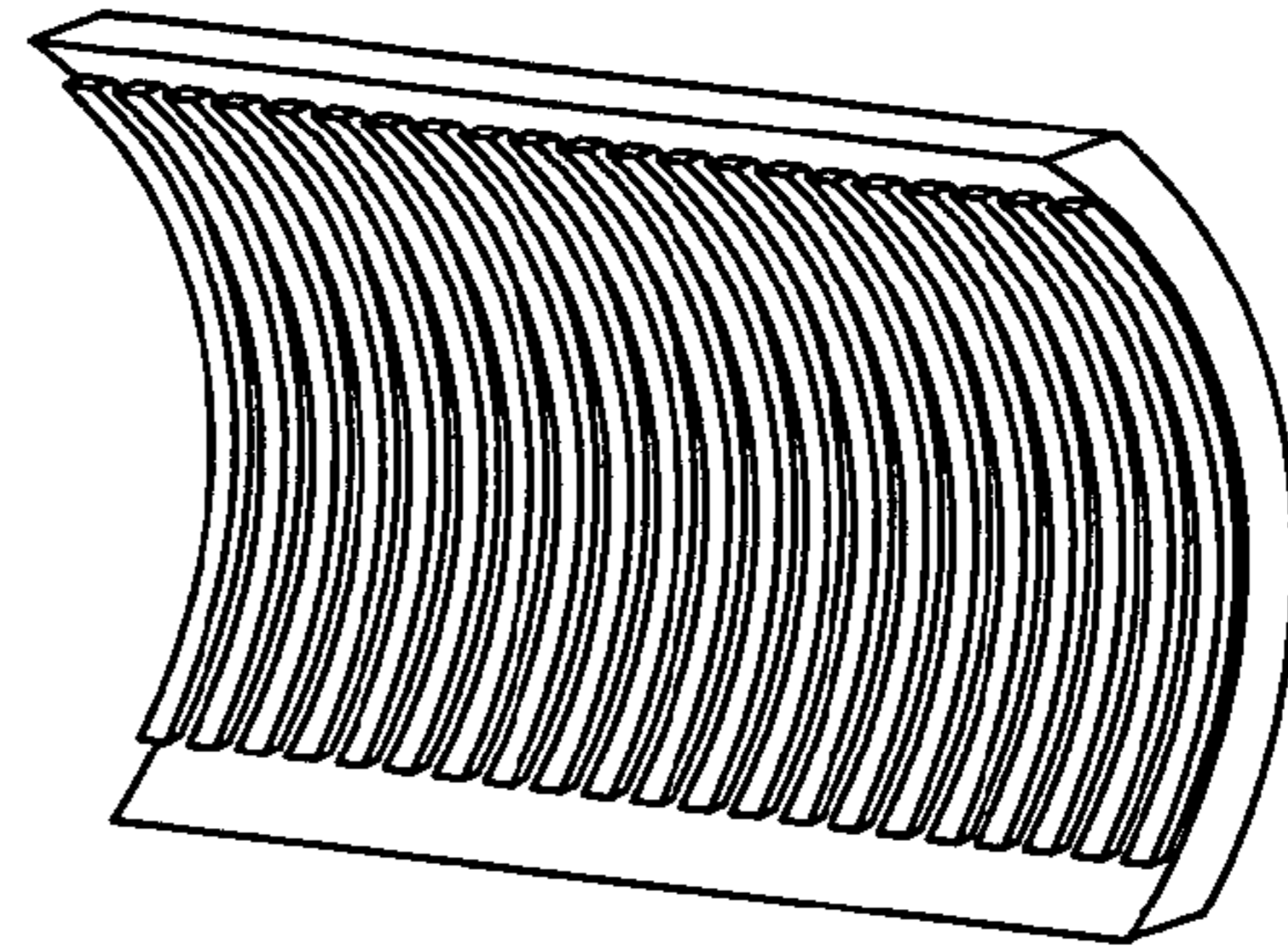
FIG. 9 is a bottom plan view thereof.

**1 Claim, 2 Drawing Sheets**

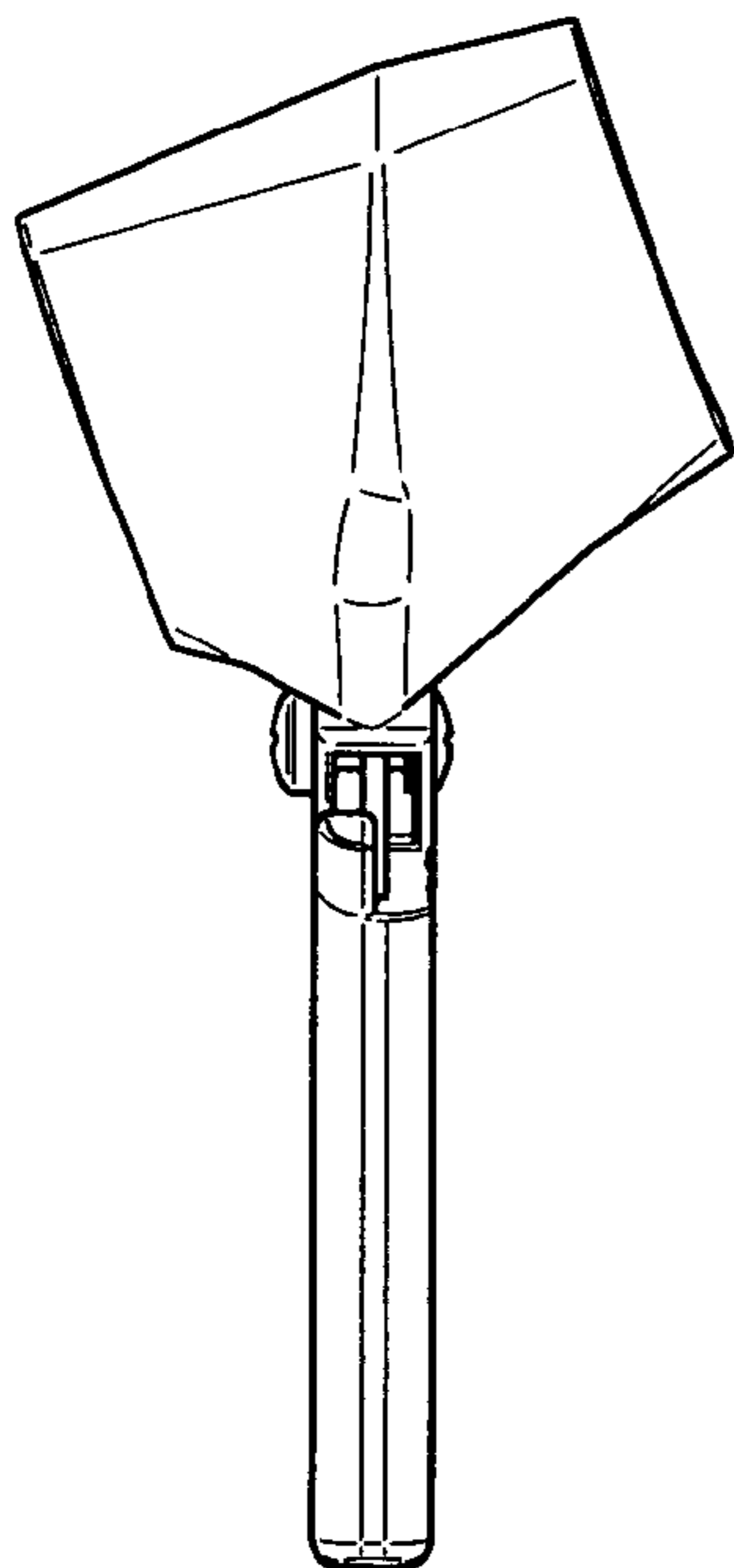




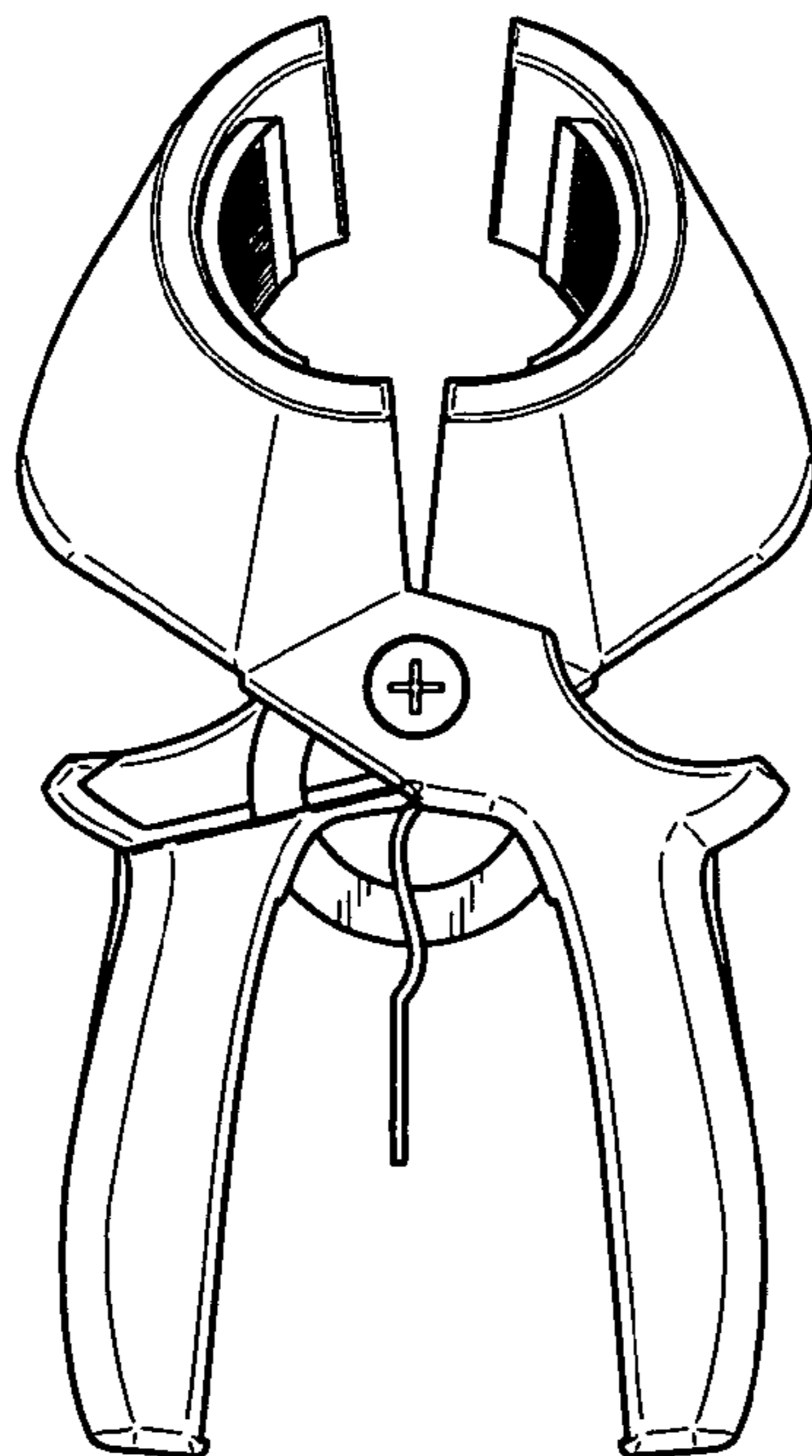
*FIG. 1*



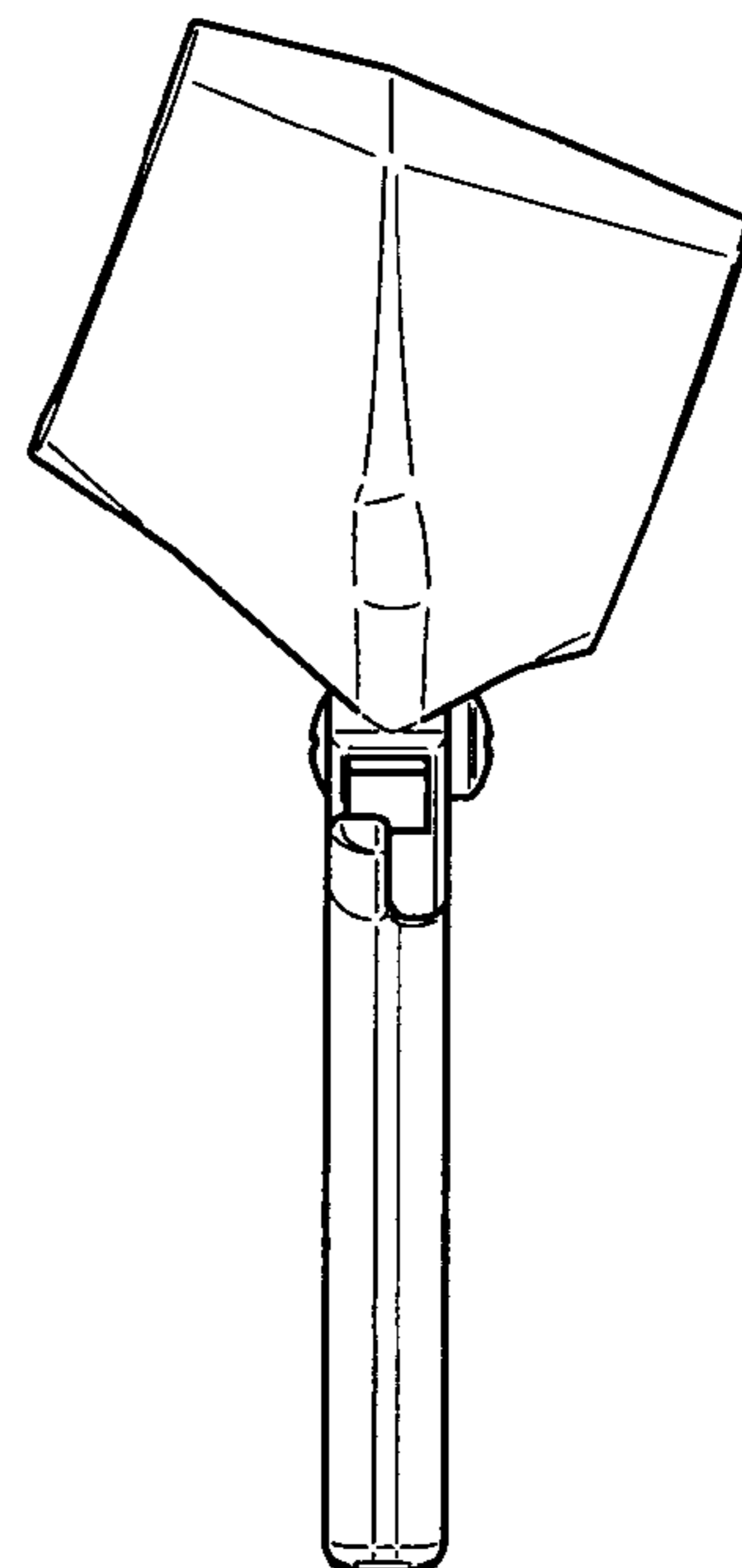
*FIG. 2*



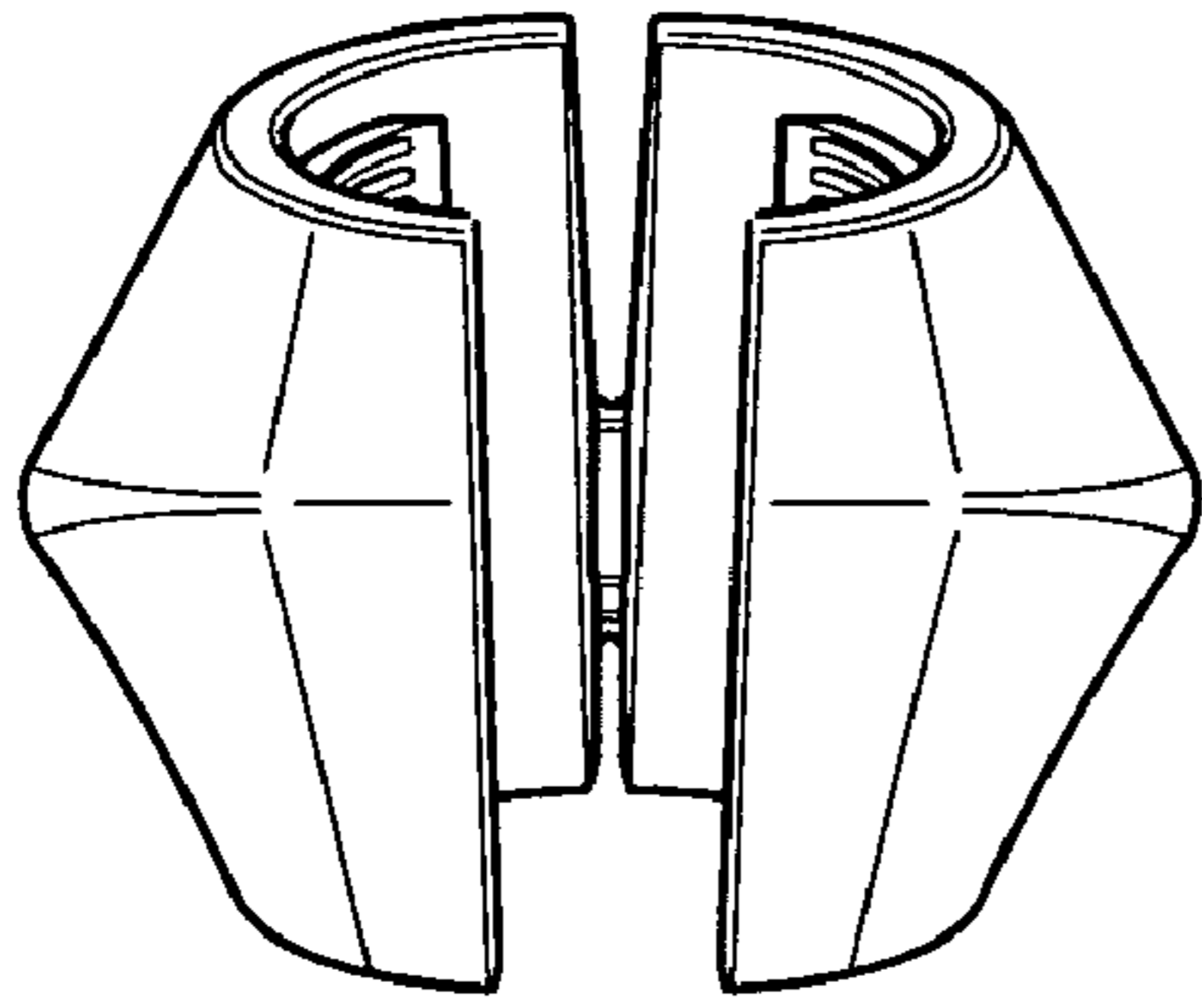
*FIG. 3*



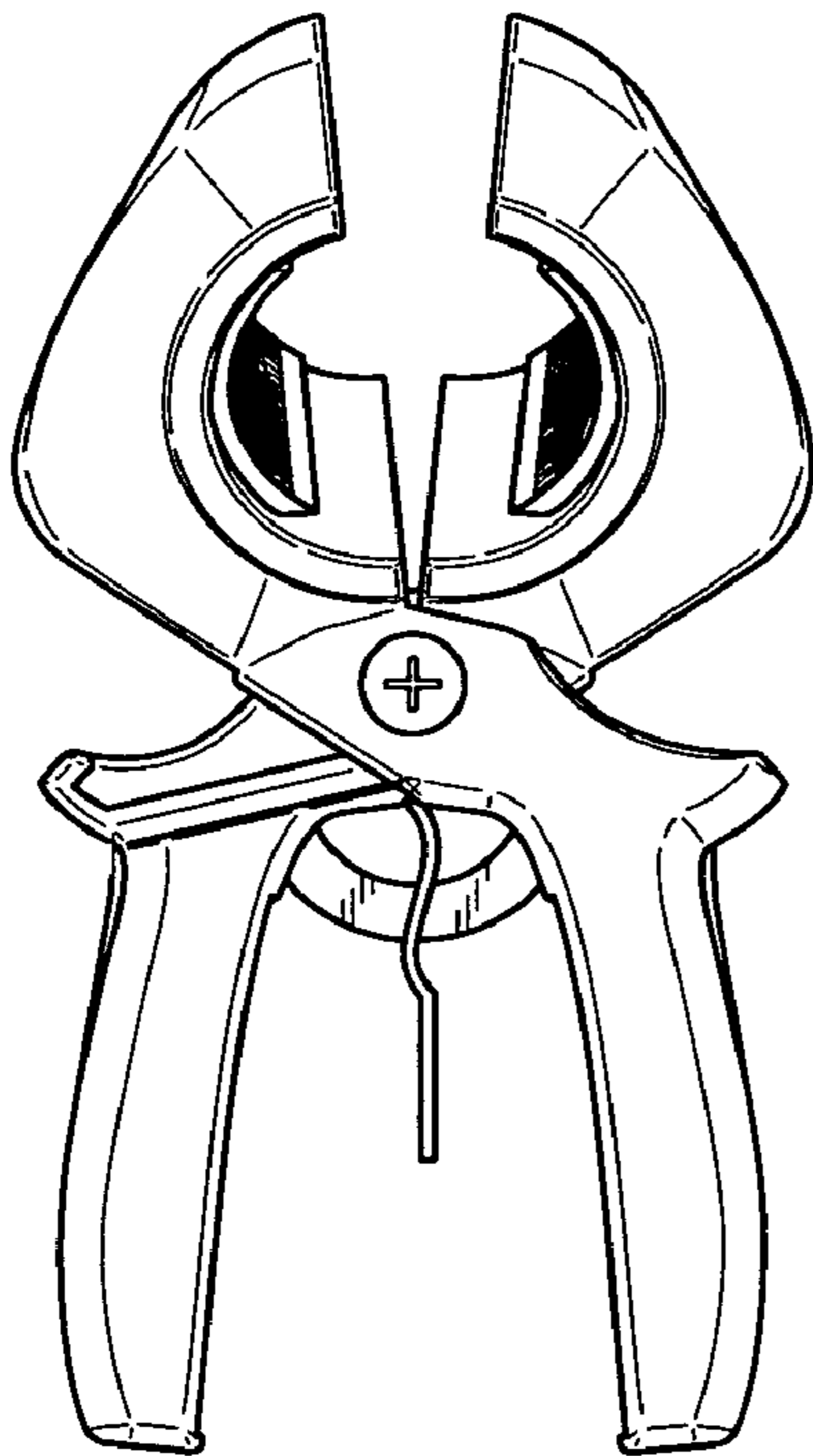
*FIG. 4*



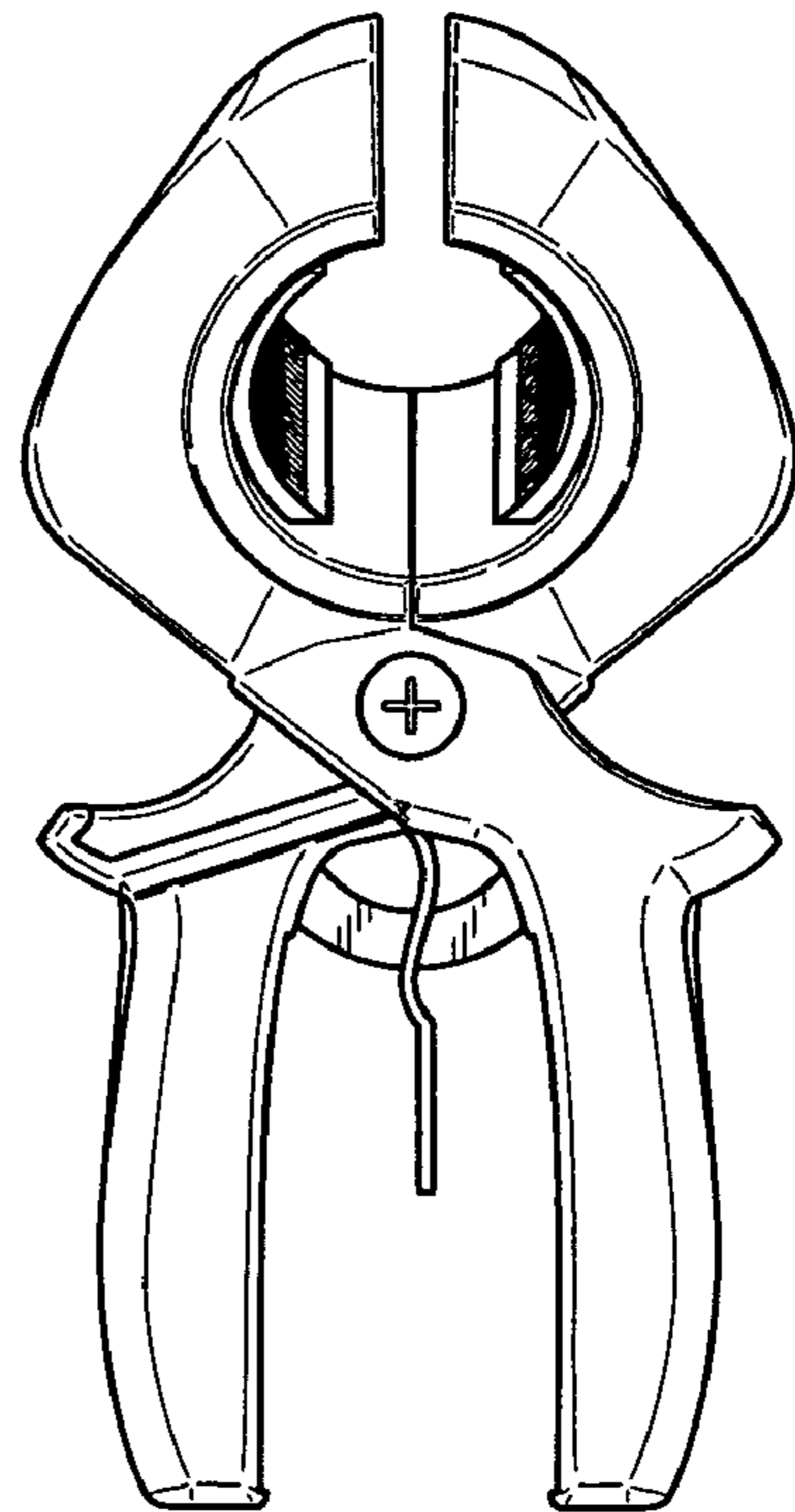
*FIG. 5*



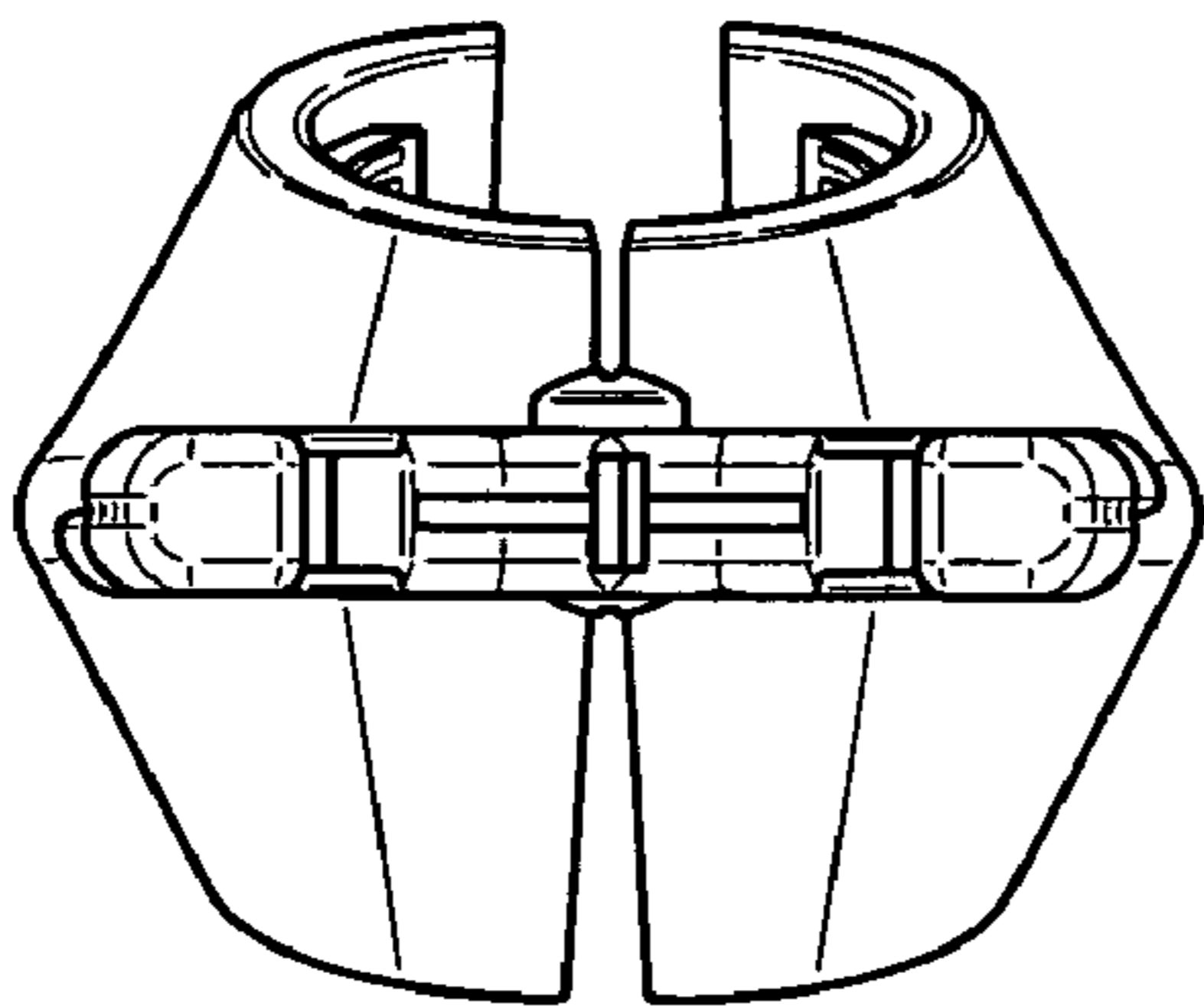
**FIG. 6**



**FIG. 7**



**FIG. 9**



**FIG. 8**