



US00D651873S

(12) **United States Design Patent**
Orlitzky et al.

(10) **Patent No.:** **US D651,873 S**
(45) **Date of Patent:** **** Jan. 10, 2012**

(54) **DUAL CARTRIDGE LUBRICATOR**

6,125,969 A 10/2000 Graf et al.
6,189,656 B1 2/2001 Morgenstern et al.
6,675,992 B2 1/2004 Schumann

(75) Inventors: **Stephan Karl Orlitzky**, Delta (CA);
Timothy Melvin Price, Langley (CA)

(Continued)

(73) Assignee: **Stephania Holdings, Inc.**, Delta, British Columbia (CA)

FOREIGN PATENT DOCUMENTS

EP 0 926 426 A1 6/1999

(Continued)

(**) Term: **14 Years**

OTHER PUBLICATIONS

(21) Appl. No.: **29/368,802**

Gunther, Armin, "Description of EP2101102"; Sep. 16, 2009 <http://translationportal.epo.org/emtp/translate>; European Patent Office; pp. 1-5.

(22) Filed: **Aug. 30, 2010**

(30) **Foreign Application Priority Data**

Primary Examiner — Antoine D Davis

Jun. 10, 2010 (CA) 135884

(74) *Attorney, Agent, or Firm* — Gordon & Rees LLP

(51) **LOC (9) Cl.** **08-05**

(57) **CLAIM**

(52) **U.S. Cl.** **D8/14.1**

The ornamental design for a dual cartridge lubricator device, as shown and described.

(58) **Field of Classification Search** D8/14.1;

DESCRIPTION

222/92-107, 129.4, 145.1, 153.02, 160, 173,
222/628, 325-327, 386-393; 74/141.5

See application file for complete search history.

FIG. 1 is an oblique view of the dual cartridge lubricator; FIG. 2 is a front elevational view of the dual cartridge lubricator of FIG. 1;

(56) **References Cited**

U.S. PATENT DOCUMENTS

1,720,398 A 7/1929 Harrigan
1,813,183 A 7/1931 Mathewson
1,834,321 A 12/1931 Tervo
1,996,929 A 4/1935 Mays
2,556,702 A 6/1951 Nielsen
2,731,173 A 1/1956 Harrigan
2,877,935 A 3/1959 Sherbondy
3,608,672 A 9/1971 Dandridge
3,622,048 A 11/1971 Batlas
5,721,528 A 2/1998 Boesch et al.
5,921,350 A 7/1999 Tsai
5,971,229 A 10/1999 May et al.
6,101,427 A 8/2000 Yang

FIG. 3 is a rear elevational view of the dual cartridge lubricator of FIG. 1;

FIG. 4 is a left side elevational view of the dual cartridge lubricator of FIG. 1;

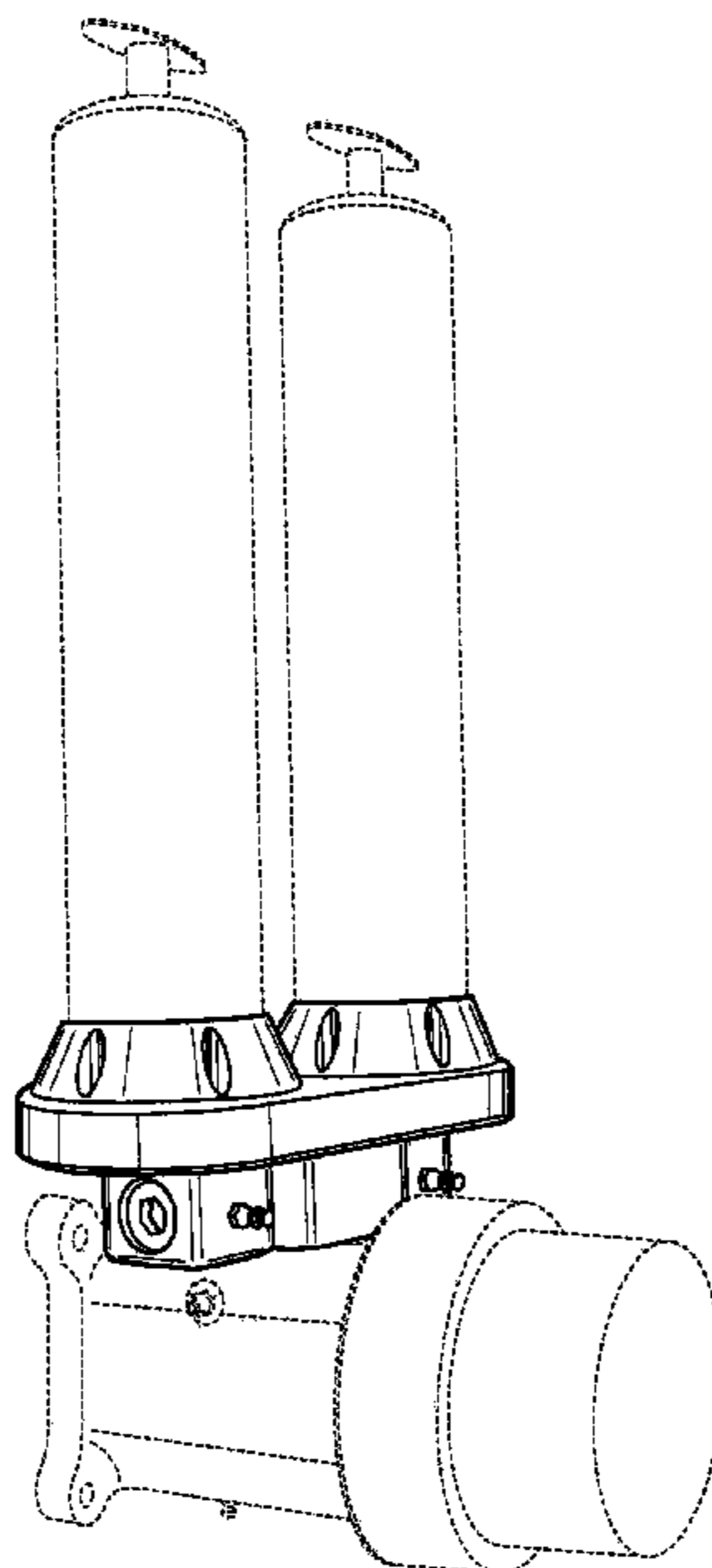
FIG. 5 is a right side elevational view of the dual cartridge lubricator of FIG. 1;

FIG. 6 is a top view of the dual cartridge lubricator of FIG. 1; and,

FIG. 7 is a bottom view of the dual cartridge lubricator of FIG. 1.

The broken line showing is for illustrative purposes and forms no part of the claimed design.

1 Claim, 7 Drawing Sheets



US D651,873 S

Page 2

U.S. PATENT DOCUMENTS

D490,671	S	6/2004	Hung	
6,802,394	B2	10/2004	Patterson	
D510,242	S	10/2005	Chen	
D523,303	S	6/2006	Amin	
7,104,116	B2	9/2006	Discenzo	
D530,165	S *	10/2006	Tanaka	D8/14.1
D534,773	S *	1/2007	Tanaka	D8/14.1
7,168,595	B2	1/2007	Ling	
7,228,941	B2	6/2007	Weigand et al.	
7,275,420	B2	10/2007	Discenzo	
D625,162	S	10/2010	Orlitzky	
2004/0197040	A1	10/2004	Walker et al.	

2004/0250623	A1	12/2004	Walker et al.
2005/0137763	A1	6/2005	Watkins et al.
2009/0192728	A1	7/2009	Wright et al.
2009/0228239	A1	9/2009	Inoue et al.

FOREIGN PATENT DOCUMENTS

EP	2 101 102	A2	9/2009
GB	229318		12/1925
GB	691226		5/1953
GB	2 305 910	A	3/2005
WO	WO 2011/025430	A1	3/2011

* cited by examiner

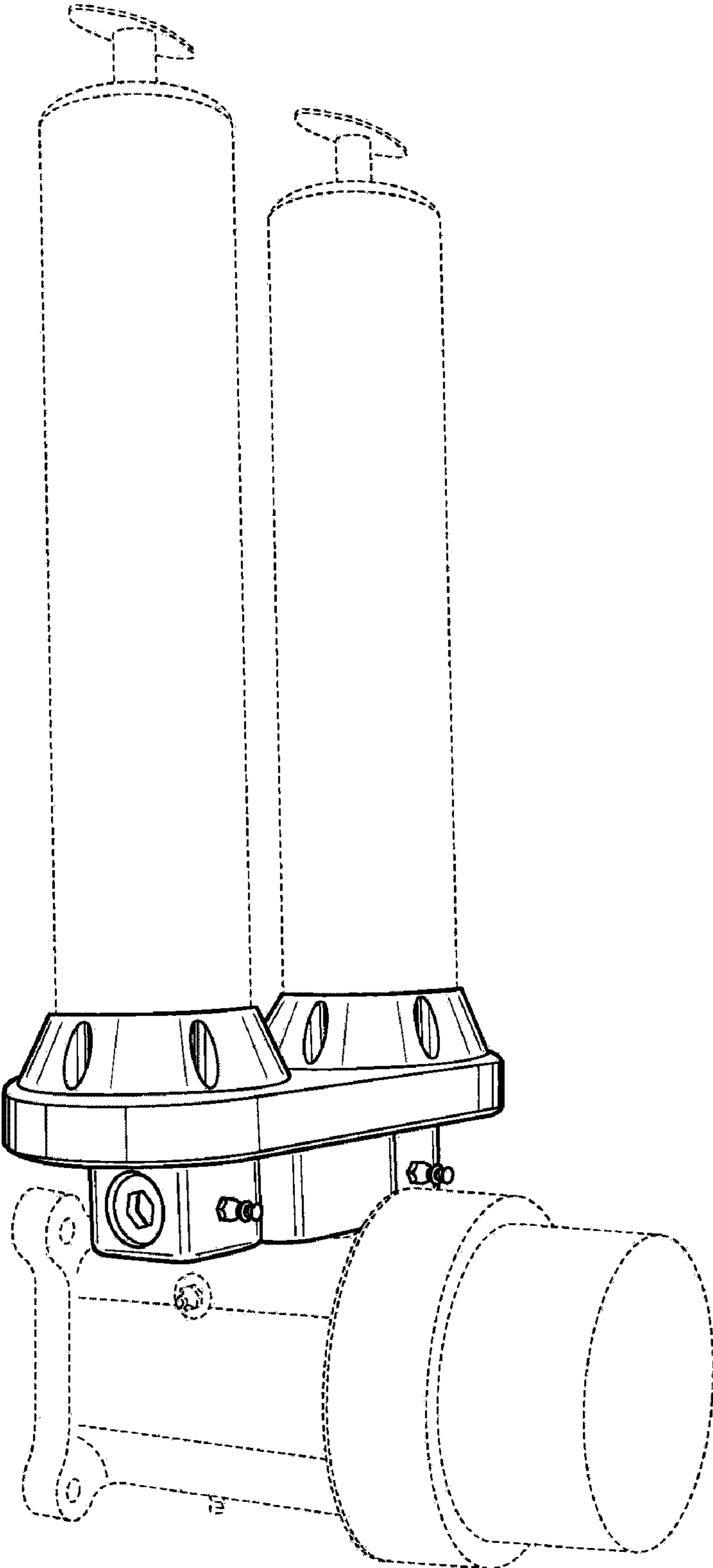


FIG. 1

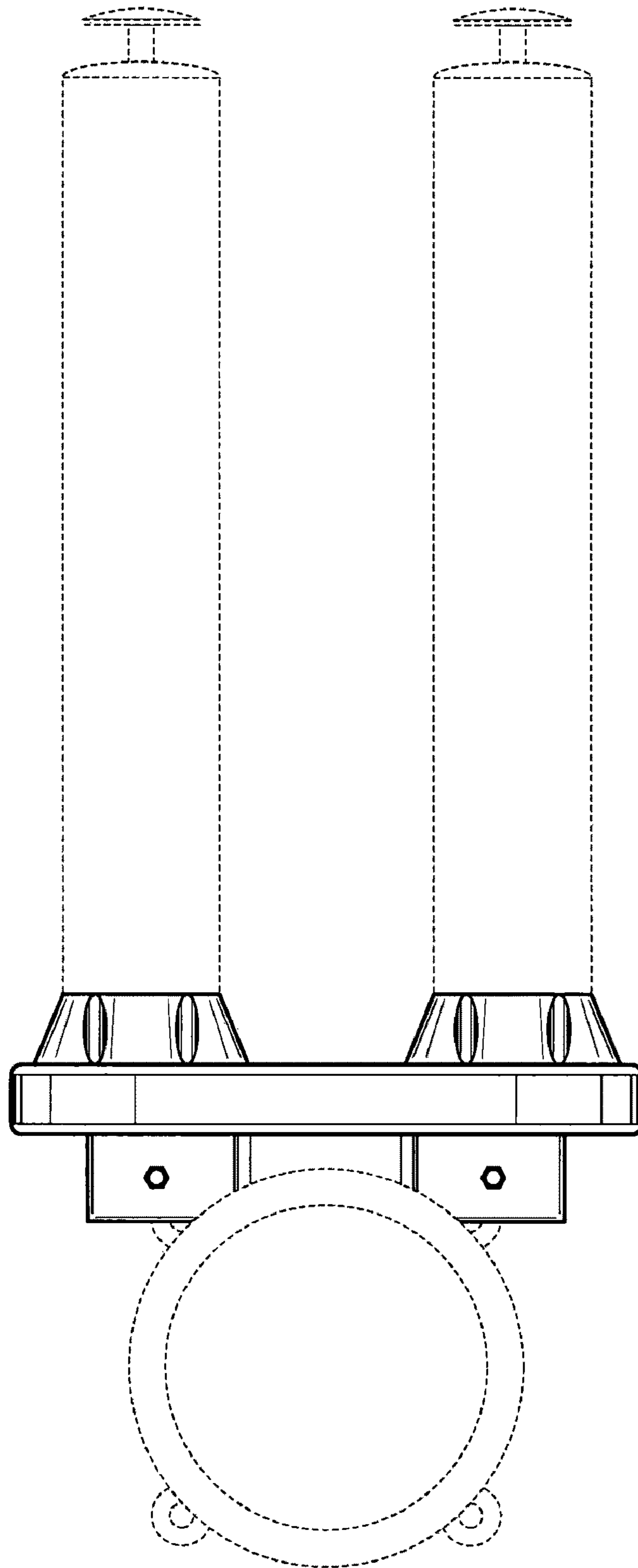


FIG. 2

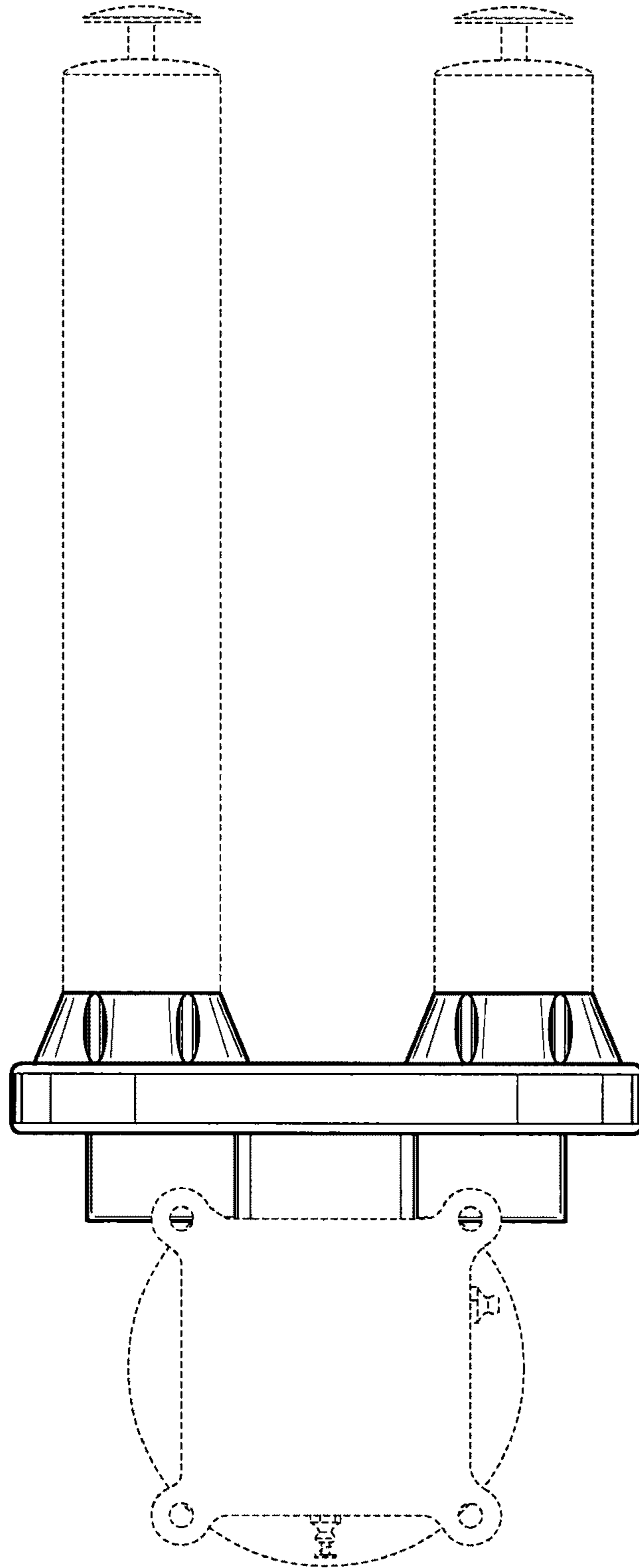


FIG. 3

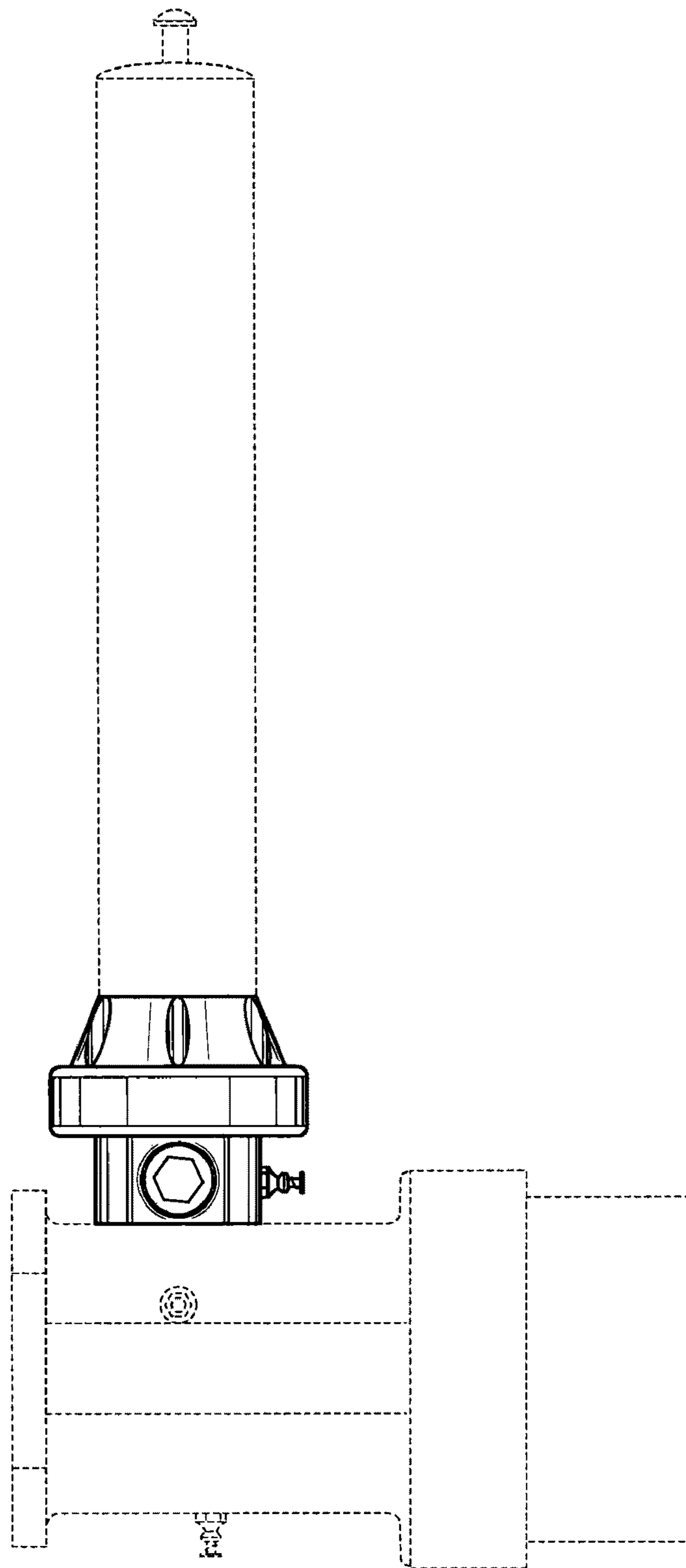


FIG. 4

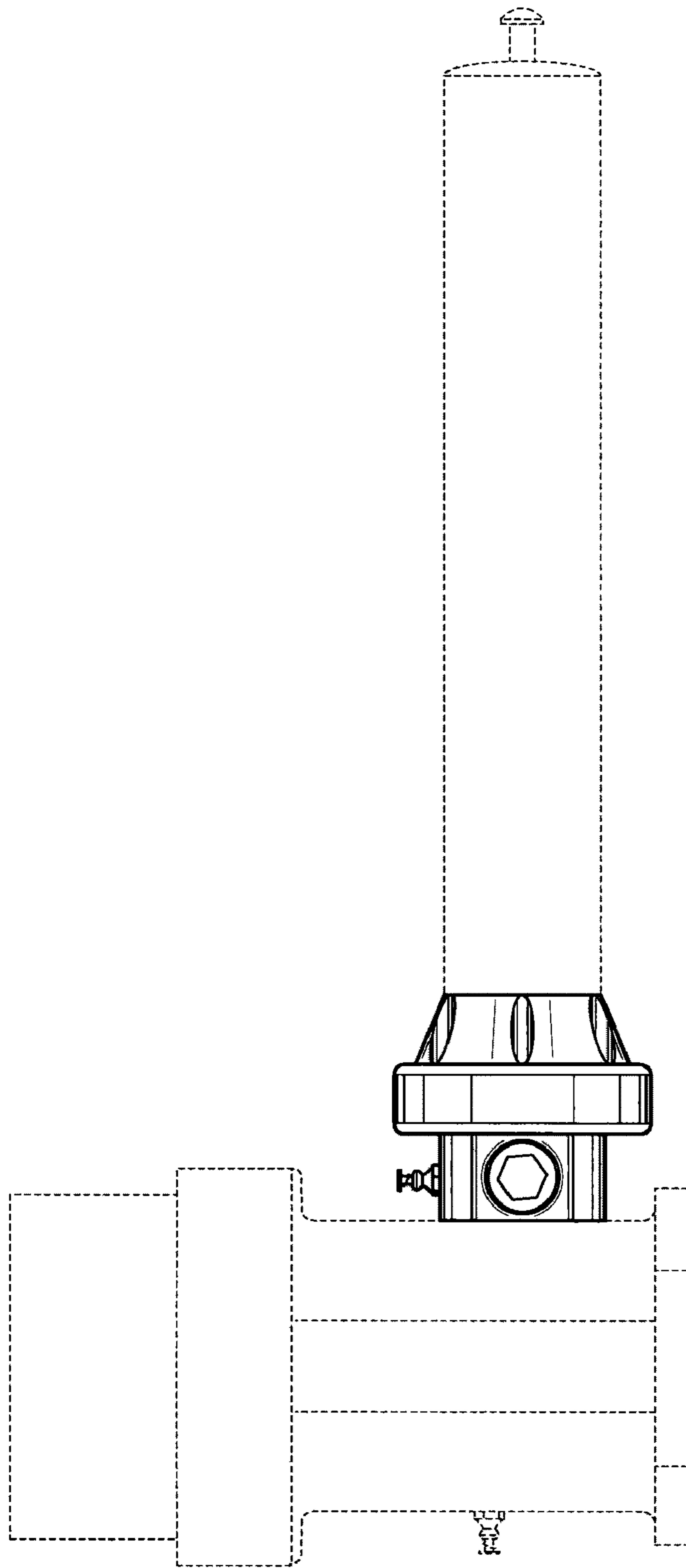


FIG. 5

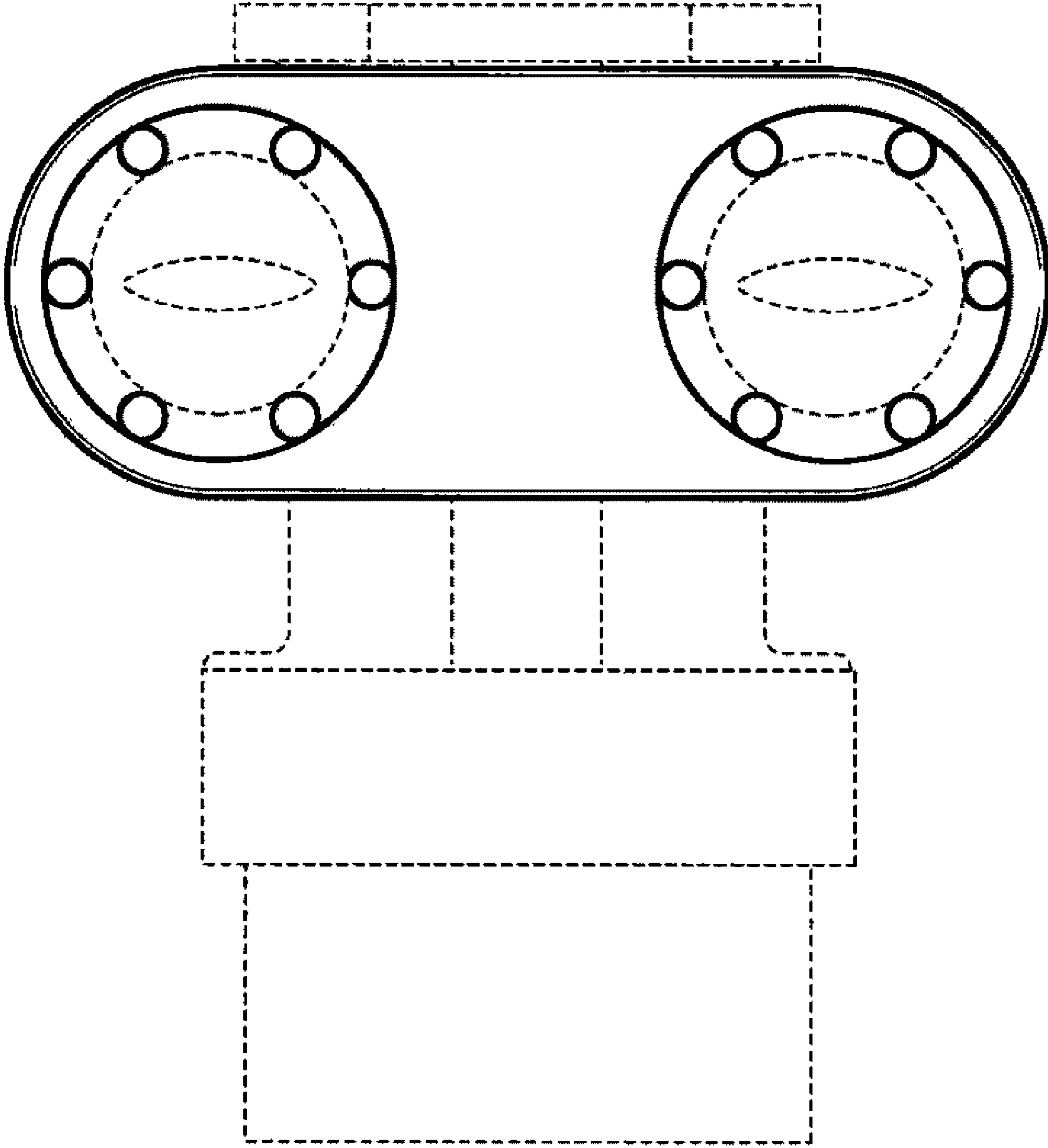


FIG. 6

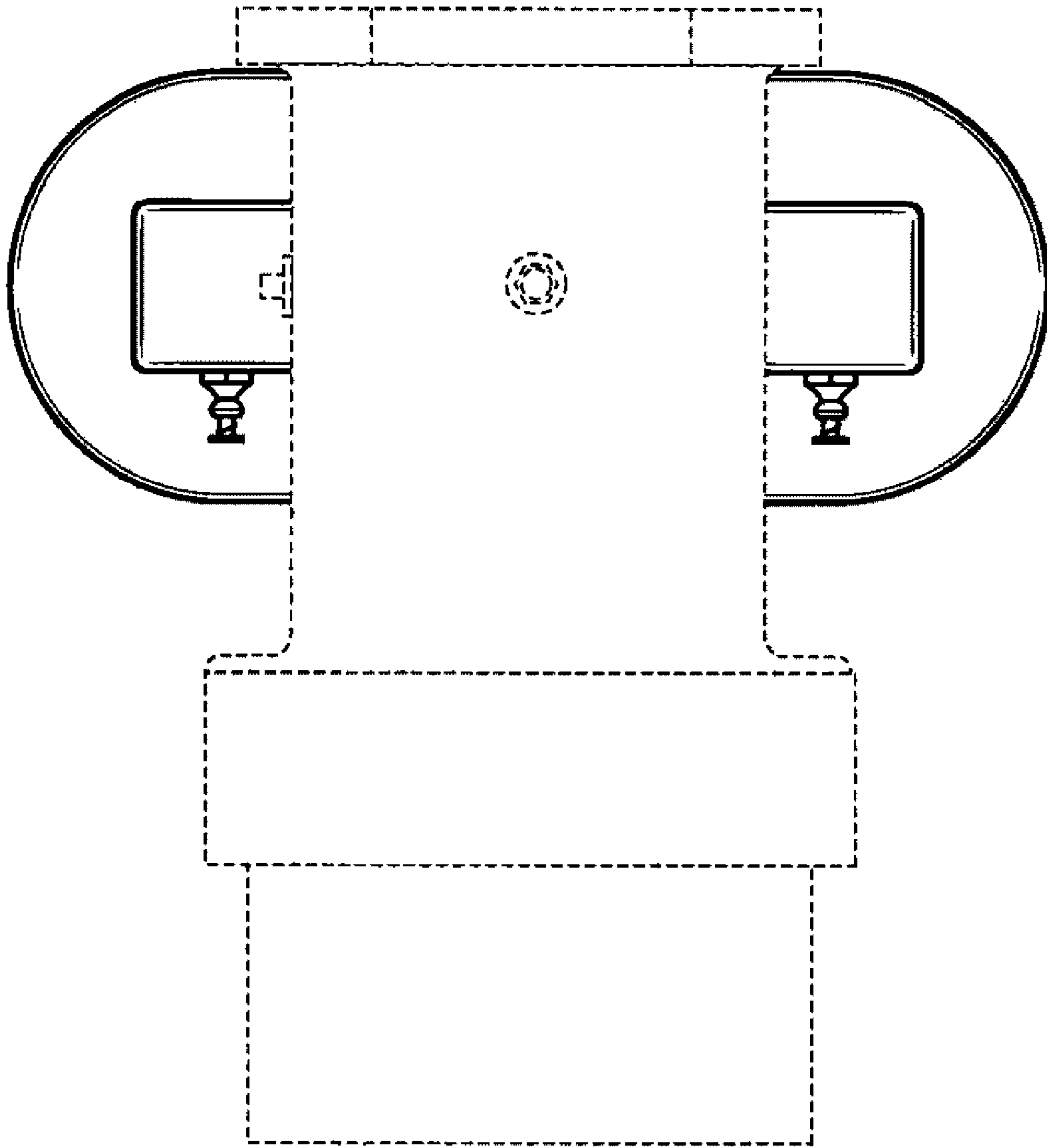


FIG. 7