



US00D651872S

(12) **United States Design Patent**
Kemper et al.

(10) **Patent No.:** **US D651,872 S**
(45) **Date of Patent:** **** Jan. 10, 2012**

(54) **COMBINED FOOD STORAGE CONTAINER SYSTEM WITH FOOD STORAGE CONTAINERS**

(75) Inventors: **Bernard J. Kemper**, Bonne Terre, MO (US); **Charles H. Miller**, Barnhart, MO (US); **Janine Berger**, Hoboken, NJ (US)

(73) Assignee: **Handi-Craft Company**, St. Louis, MO (US)

(**) Term: **14 Years**

(21) Appl. No.: **29/376,611**

(22) Filed: **Oct. 8, 2010**

(51) **LOC (9) Cl.** **07-07**

(52) **U.S. Cl.** **D7/701; D7/592; D7/601**

(58) **Field of Classification Search** D7/590, D7/592, 596, 600.1–600.4, 601, 602, 629, D7/701–708, 630, 543, 549, 550.1, 552.1, D7/553.1–553.8, 554.1–554.4, 555; D3/304, D3/307, 308, 315; 220/500, 506, 516, 517, 220/507, 509, 514; 211/71.01, 70.1, 74

See application file for complete search history.

(56) **References Cited**

U.S. PATENT DOCUMENTS

3,211,290	A *	10/1965	Strickling	209/522
D247,533	S *	3/1978	Noyes	D6/514
4,585,915	A	4/1986	Moore		
D330,513	S *	10/1992	Gilchrist	D7/703
5,294,763	A	3/1994	Chamberlain et al.		
5,446,270	A	8/1995	Chamberlain et al.		
5,508,498	A	4/1996	Rheinish et al.		
D526,169	S *	8/2006	Zafropoulos	D7/705

2002/0040906	A1	4/2002	Hakim
2003/0010777	A1	1/2003	Milgrom
2006/0151511	A1	7/2006	Kaposi
2006/0201952	A1	9/2006	Hakim
2006/0254948	A1	11/2006	Herbert et al.
2006/0266757	A1	11/2006	Camacho et al.
2008/0223861	A1	9/2008	Agresta et al.
2009/0057318	A1	3/2009	Aseff
2009/0108009	A1	4/2009	Yeung

* cited by examiner

Primary Examiner — Terry Wallace

(74) *Attorney, Agent, or Firm* — Armstrong Teasdale LLP

(57) **CLAIM**

The ornamental design for combined food storage container system with food storage containers, as shown and described.

DESCRIPTION

FIG. 1 is a perspective view of a food storage container system of our new design, including a plurality of food containers;

FIG. 2 is a front elevation thereof;

FIG. 3 is a rear elevation thereof;

FIG. 4 is a right side elevation thereof;

FIG. 5 is a left side elevation thereof;

FIG. 6 is a top plan view thereof;

FIG. 7 is a bottom plan view thereof;

FIG. 8 is a perspective view thereof with one of the containers shown separately for clarity of illustration.

FIG. 9 is a front elevation view of FIG. 8.

FIG. 10 is a rear elevation view of FIG. 8.

FIG. 11 is a right side elevation view of FIG. 8.

FIG. 12 is a left side elevation view of FIG. 8.

FIG. 13 is a top plan view of FIG. 8; and,

FIG. 14 is a bottom plan view of FIG. 8.

1 Claim, 14 Drawing Sheets

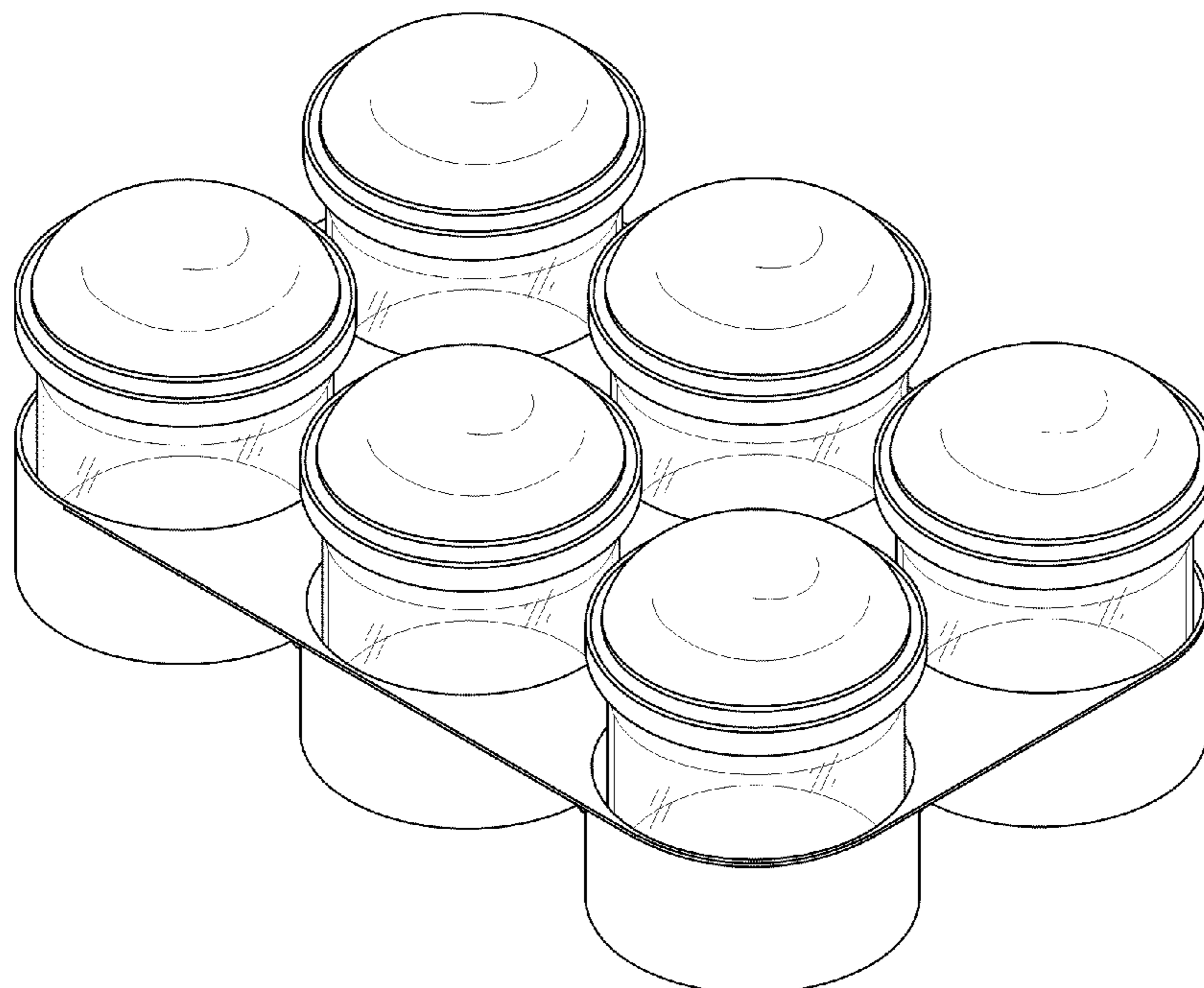


FIG. 1

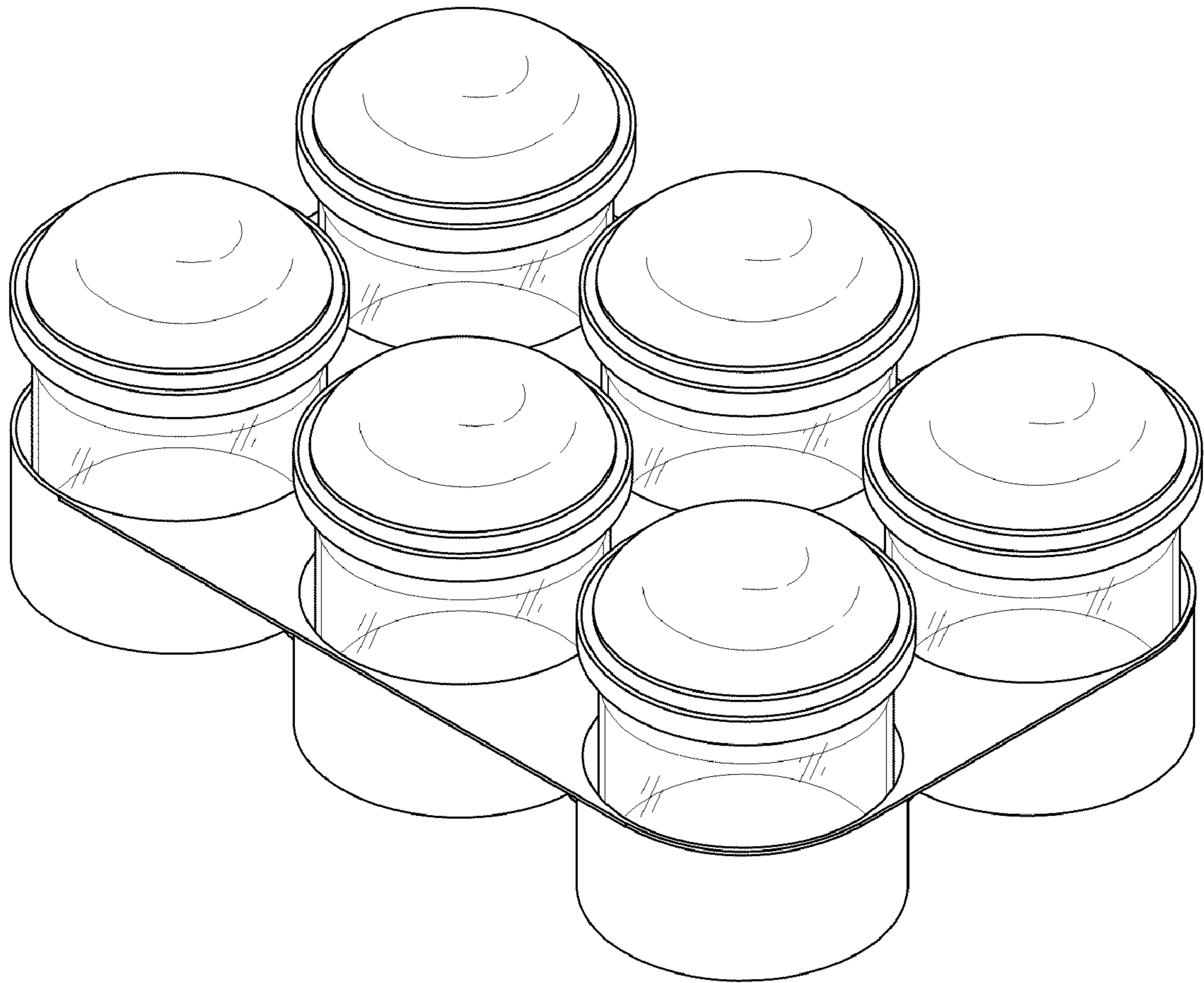


FIG. 2

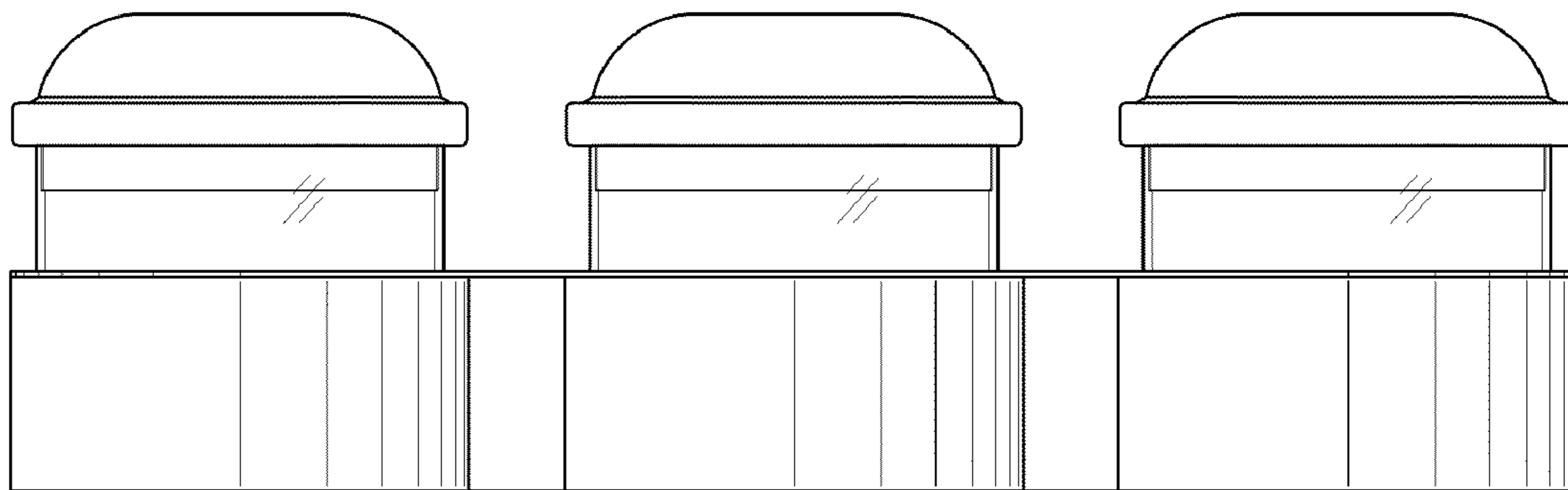


FIG. 3

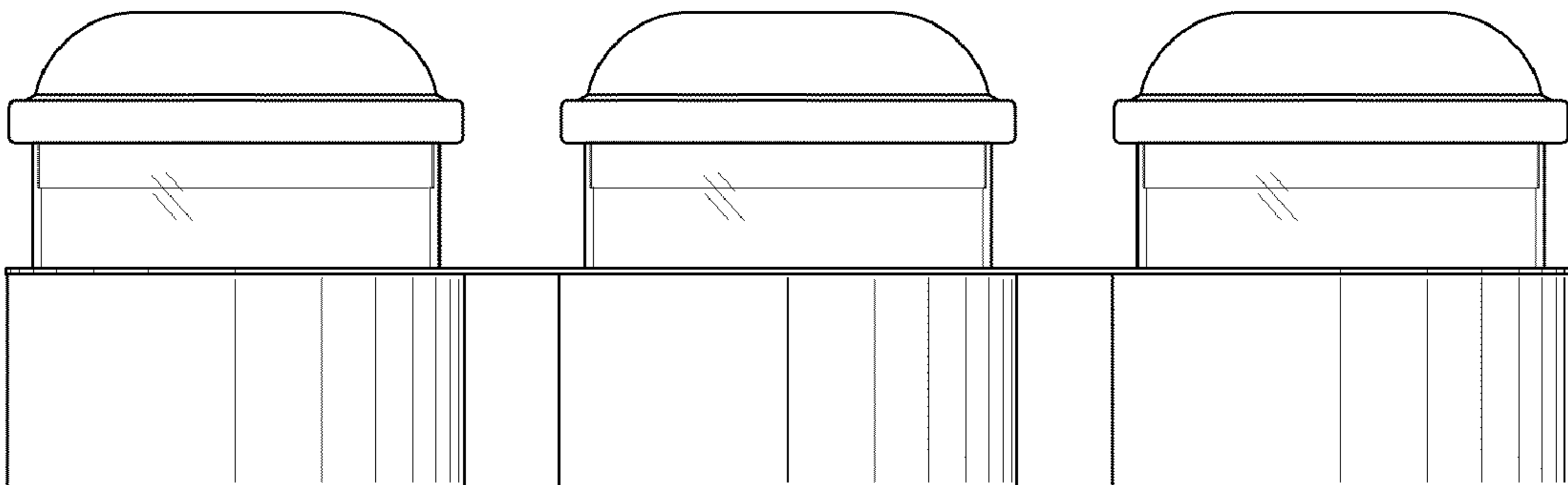


FIG. 4

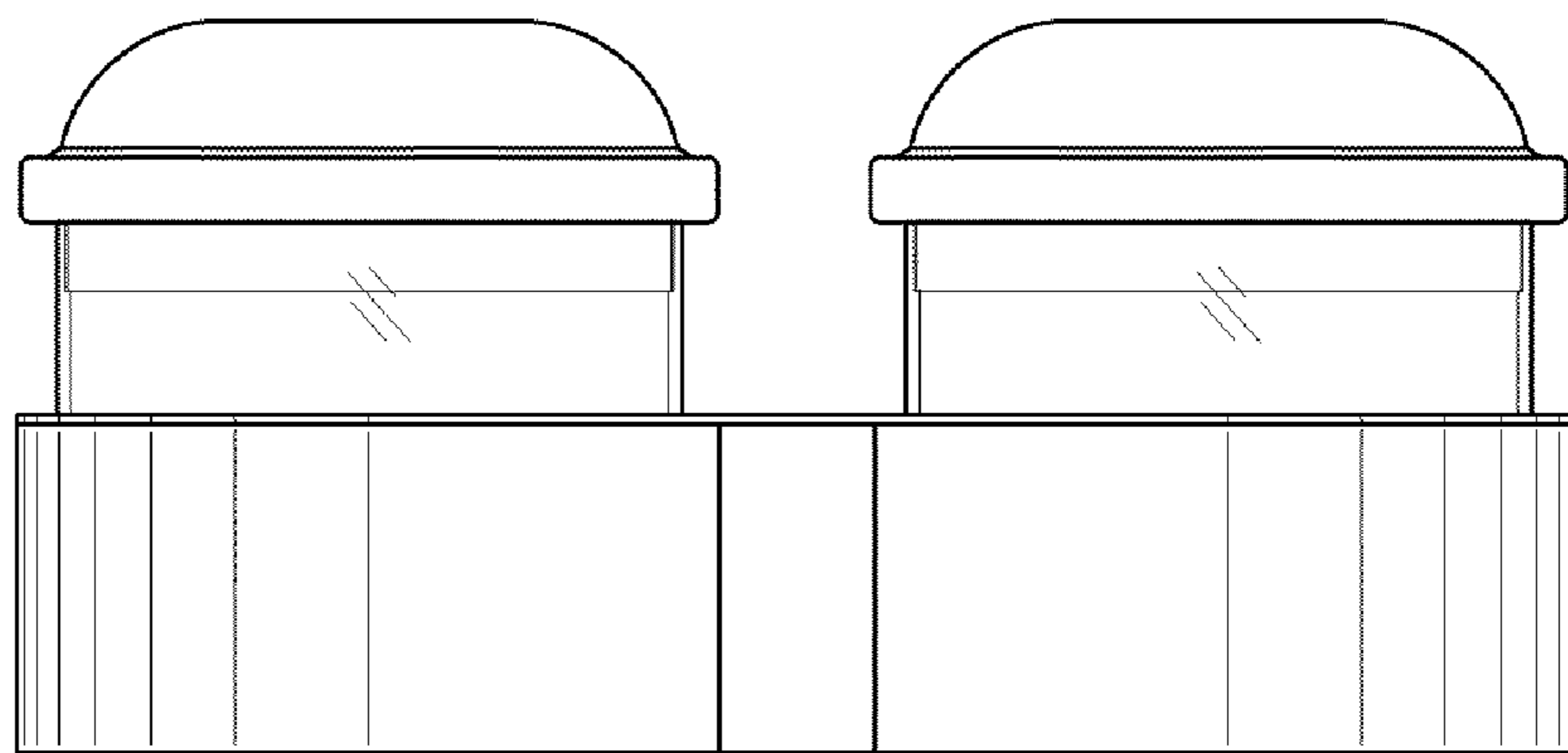


FIG. 5

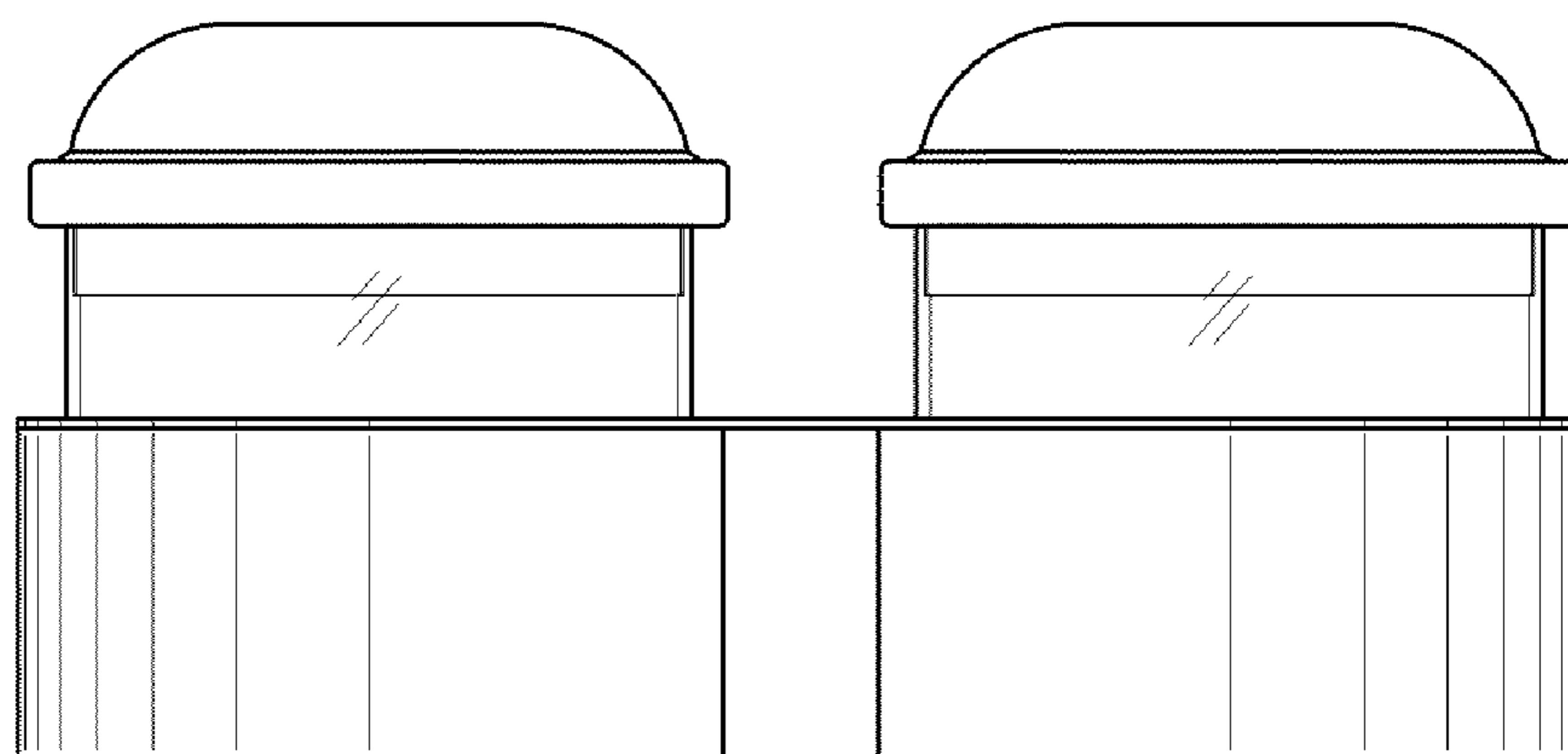


FIG. 6

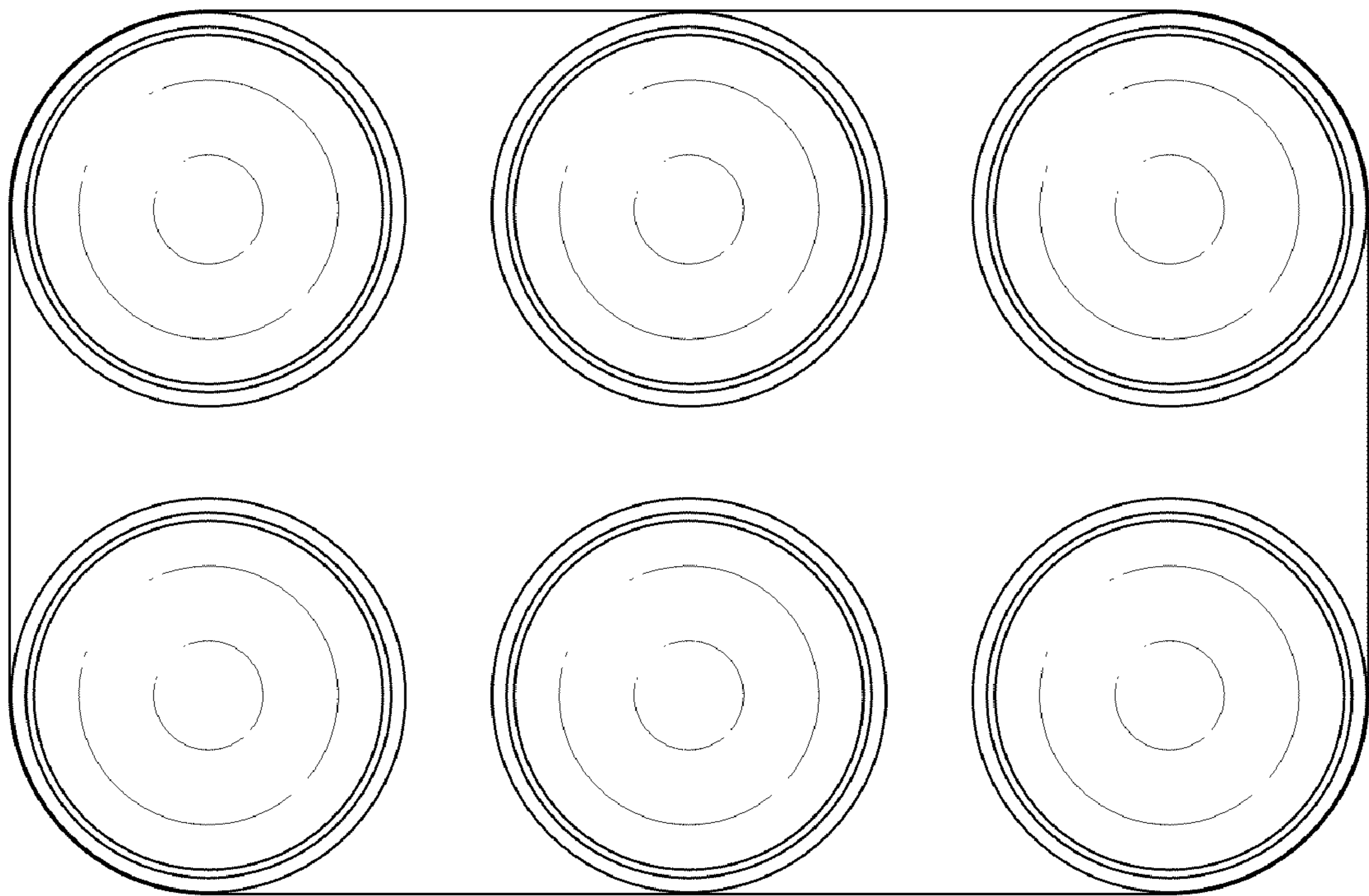


FIG. 7

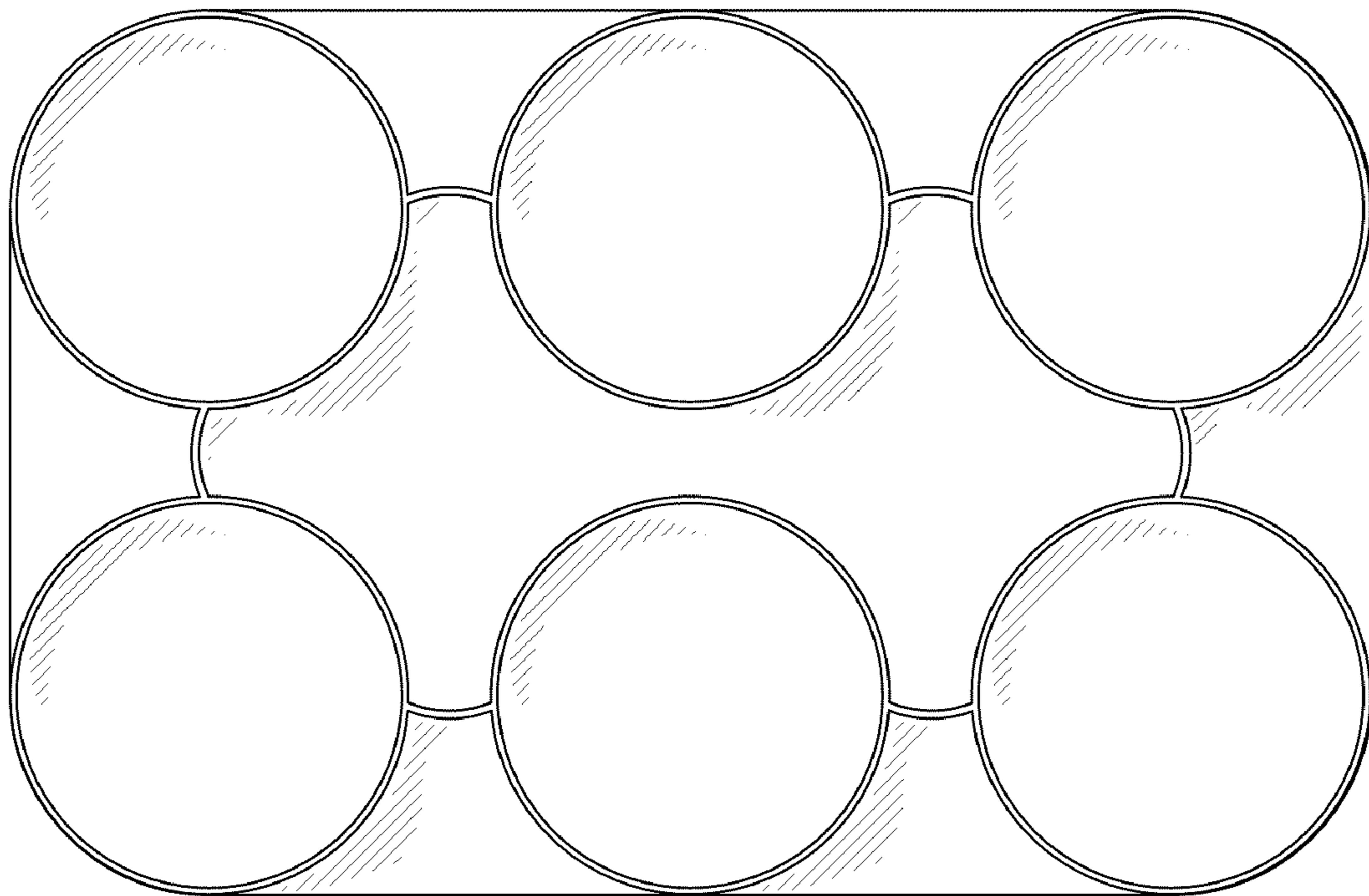


FIG. 8



FIG. 9

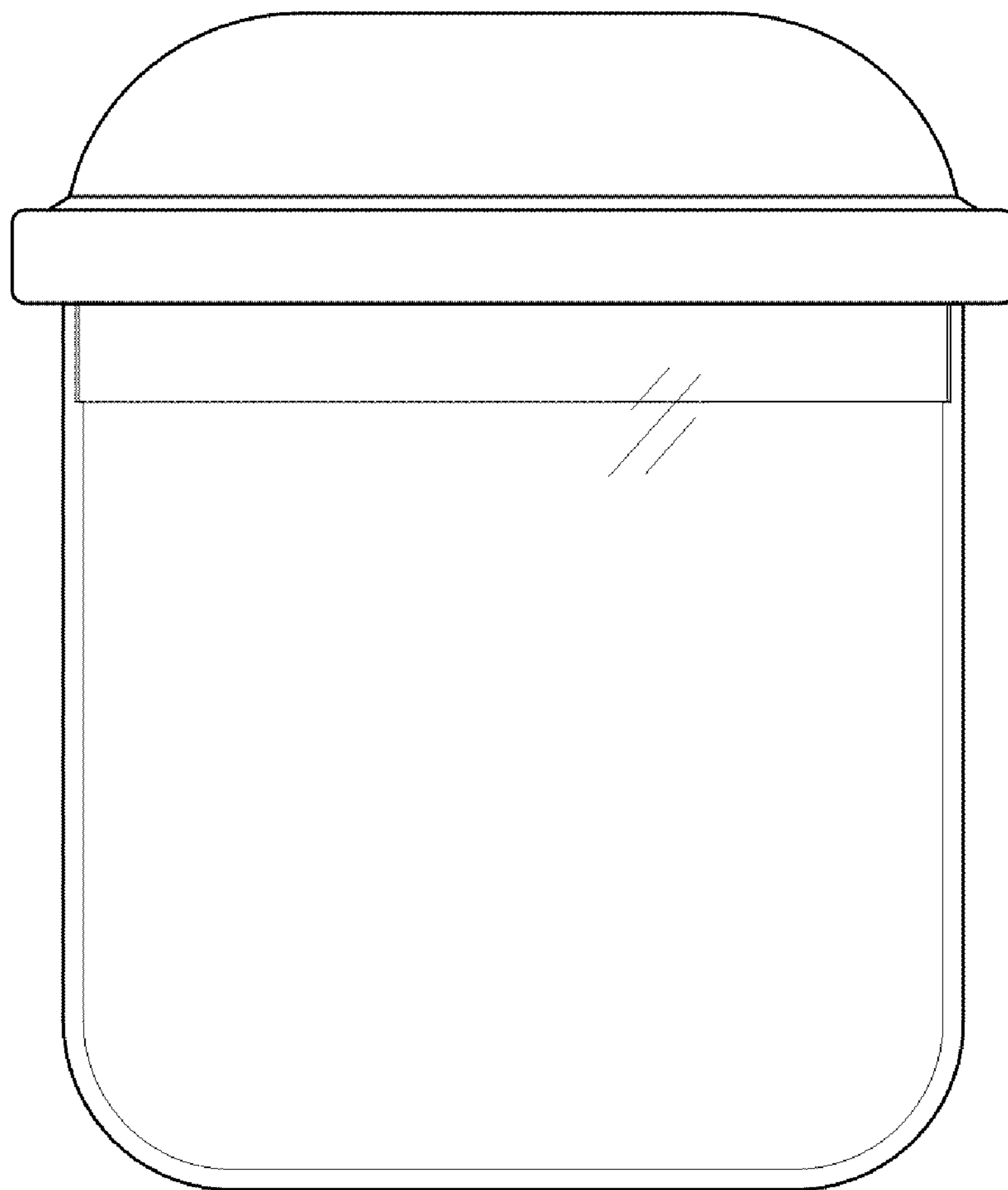


FIG. 10

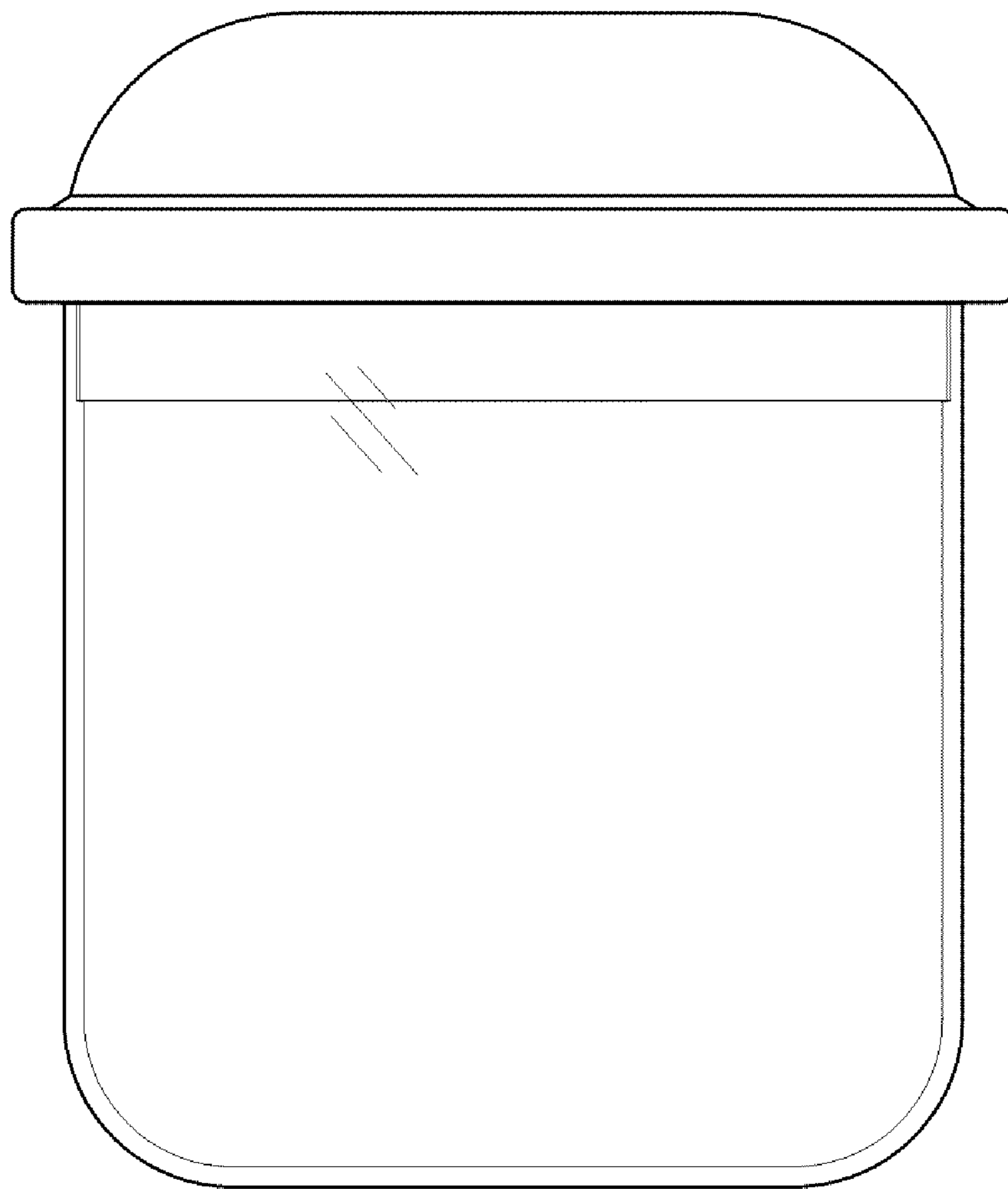


FIG. 11

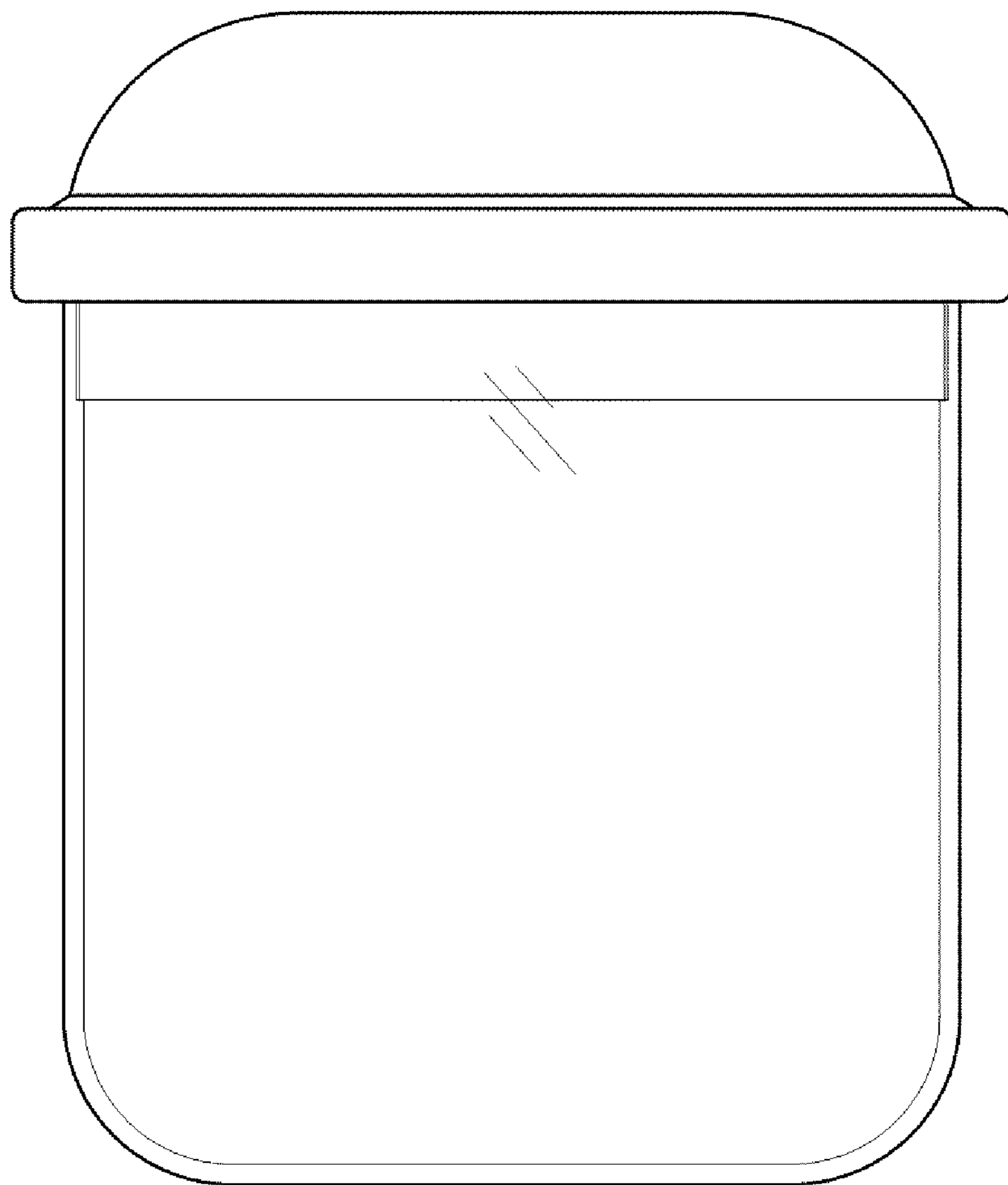


FIG. 12

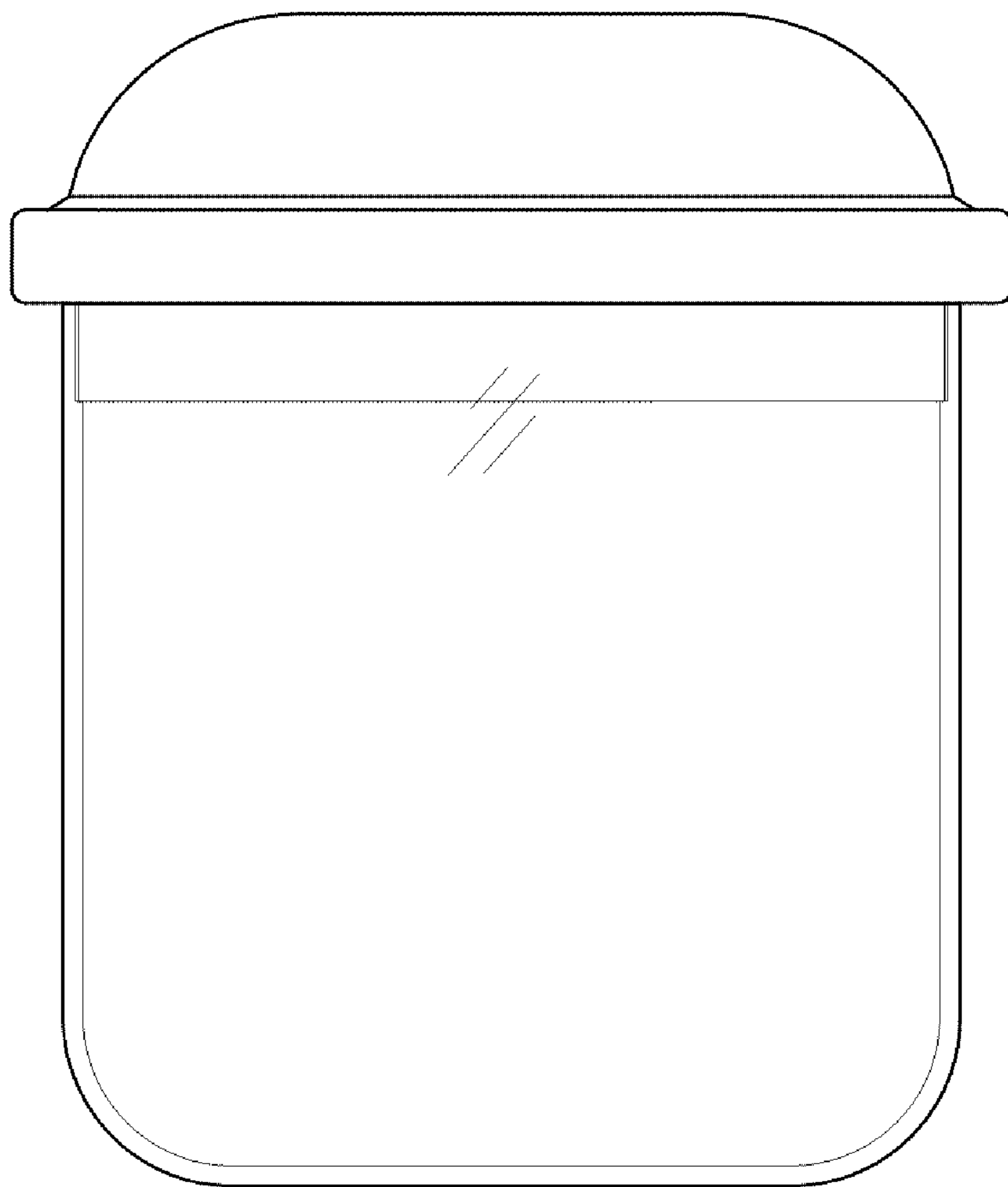


FIG. 13

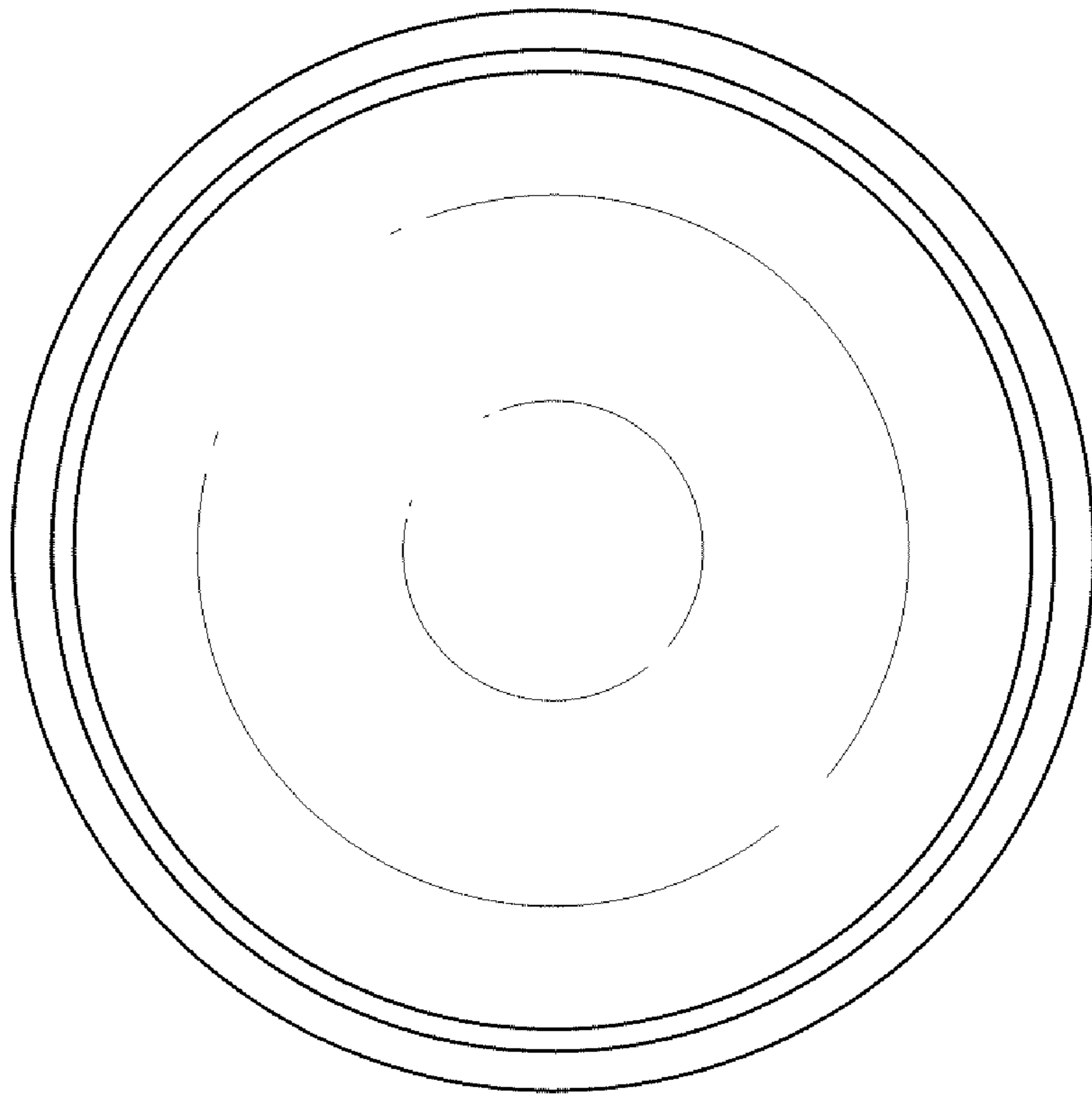


FIG. 14

