



US00D651869S

(12) **United States Design Patent**
Romanko

(10) **Patent No.:** **US D651,869 S**
(45) **Date of Patent:** **** *Jan. 10, 2012**

(54) **KITCHEN DEVICE**

(75) Inventor: **Michael Romanko**, North Haledon, NJ
(US)

(73) Assignee: **Q Bonding + Branding + Strategy**
Global LLC, Cherry Hills Village, CO
(US)

(*) Notice: This patent is subject to a terminal disclaimer.

(**) Term: **14 Years**

(21) Appl. No.: **29/365,555**

(22) Filed: **Jul. 9, 2010**

(51) **LOC (9) Cl.** **07-04**

(52) **U.S. Cl.** **D7/682**

(58) **Field of Classification Search** D7/681-696,
D7/393, 395; D8/107; 30/322-324, 326;
241/168, 169, 169.1; 366/129

See application file for complete search history.

(56) **References Cited**

U.S. PATENT DOCUMENTS

2,726,696 A * 12/1955 Filthuth 241/169.2
3,352,340 A * 11/1967 Hulterstrum 241/169.2

3,531,863 A * 10/1970 Sandborn et al. 30/301
D291,761 S * 9/1987 Hoehne D7/682
D593,818 S * 6/2009 Eide et al. D7/682

OTHER PUBLICATIONS

YouTube Video, <http://www.youtube.com/watch?v=qSJCSR4MuhU>; Maccabeats video of "Candlelight," produced by Uri Westrich; Nov. 2010.

Screen shot of Maccabeats video of "Candlelight," at 2:13 of 3:42; produced by Uri Westrich; Nov. 2010; downloaded on Feb. 1, 2011.

* cited by examiner

Primary Examiner — Terry A Wallace

(74) *Attorney, Agent, or Firm* — K M Kalan; Peter B. Scull;
Berenbaum Weinshienk PC

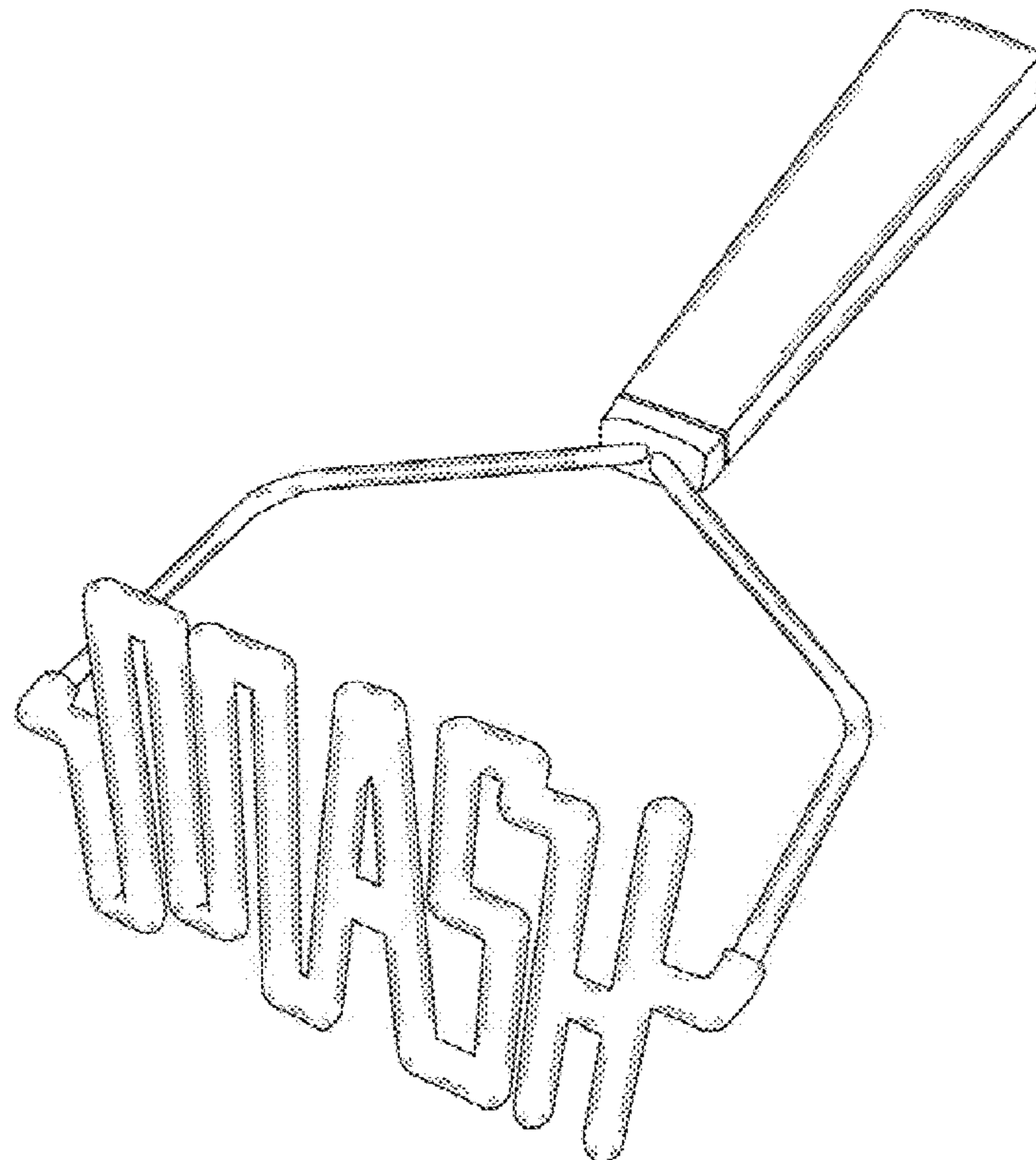
(57) **CLAIM**

The ornamental design for a kitchen device, as shown and described.

DESCRIPTION

FIG. 1 is a top plan view of a kitchen device hereof.
FIG. 2 is a left elevational view of the kitchen device.
FIG. 3 is a bottom plan view of the kitchen device.
FIG. 4 is a right elevational view of the kitchen device.
FIG. 5 is a front elevational view of the kitchen device.
FIG. 6 is a back elevational view of the kitchen device; and,
FIG. 7 is an isometric view of the kitchen device.

1 Claim, 2 Drawing Sheets



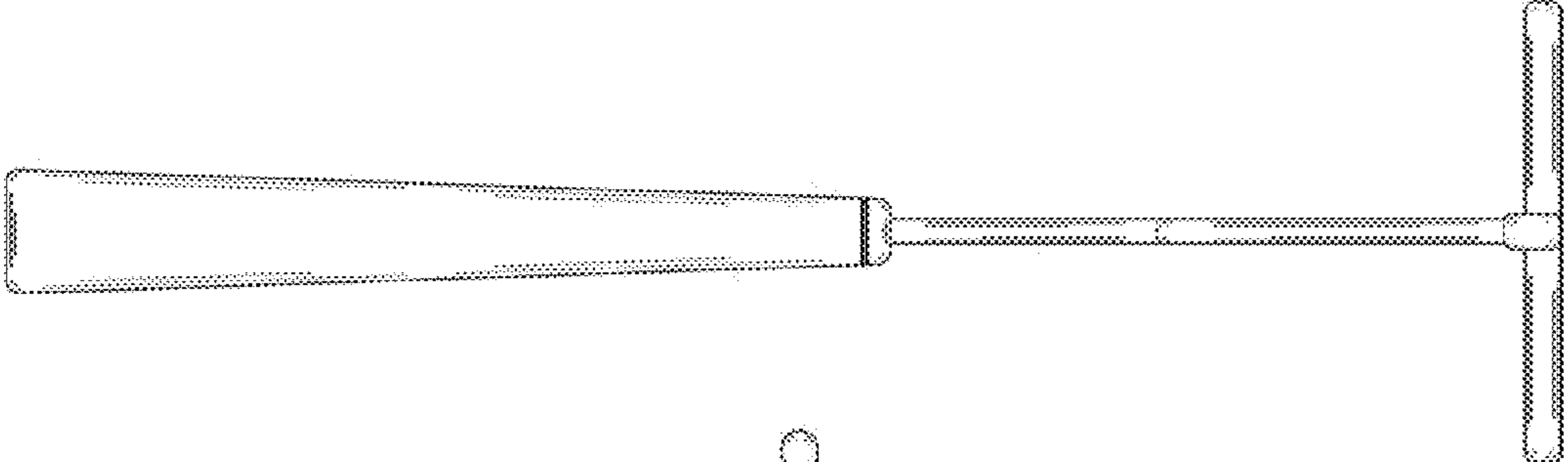


Fig. 4

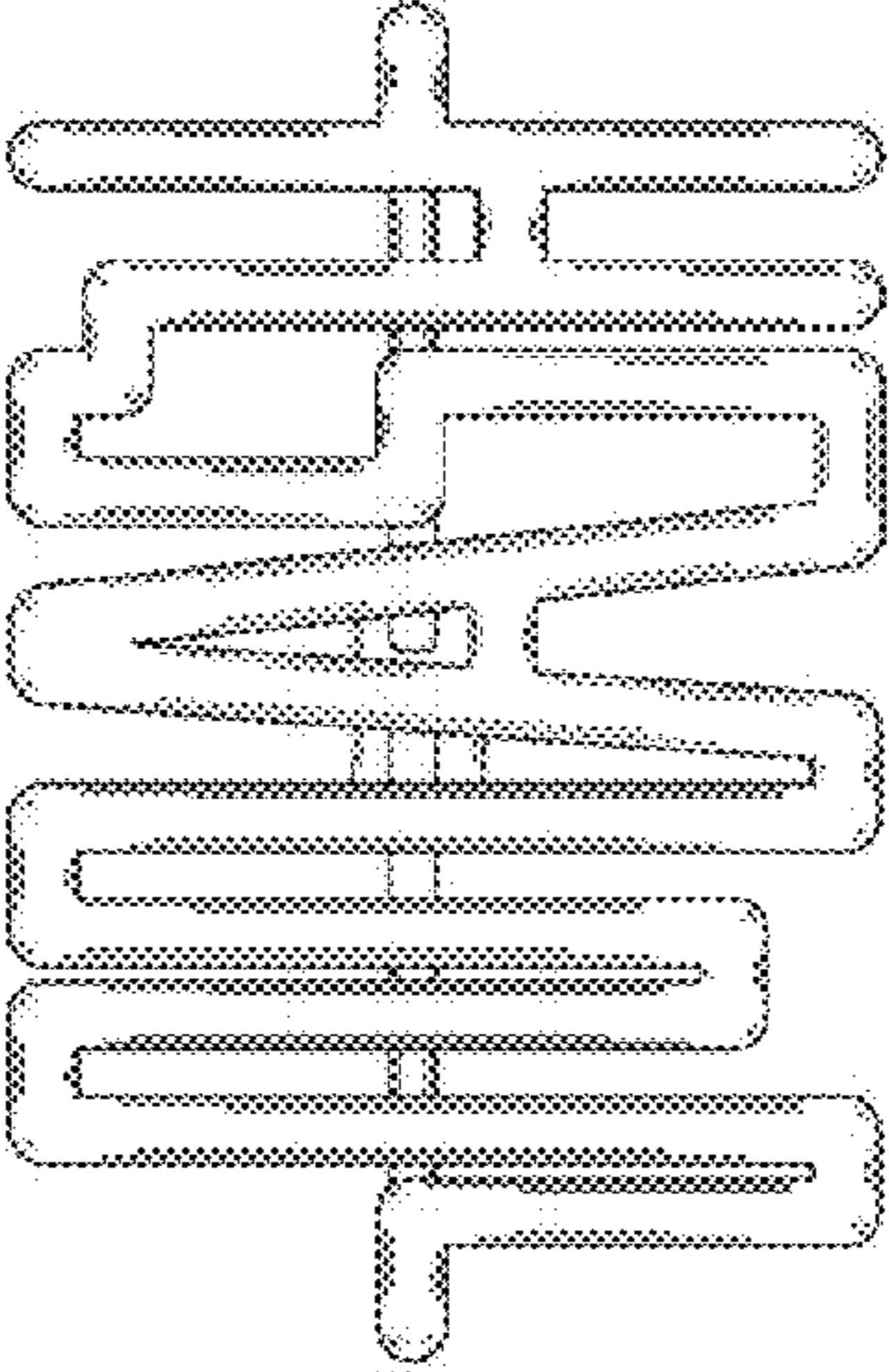


Fig. 3

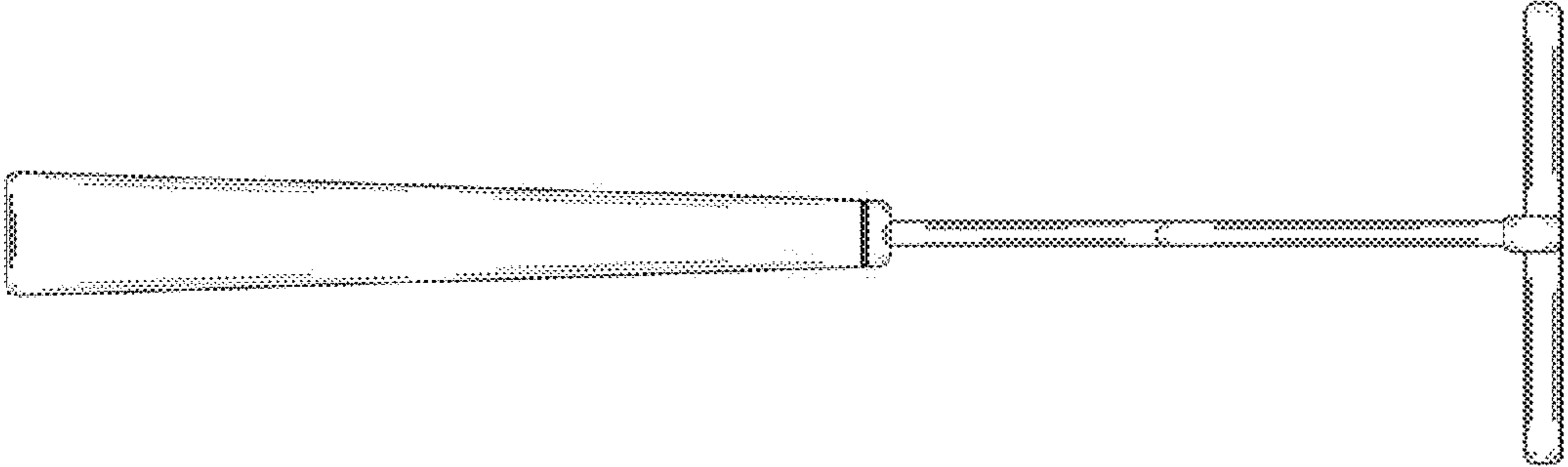


Fig. 2

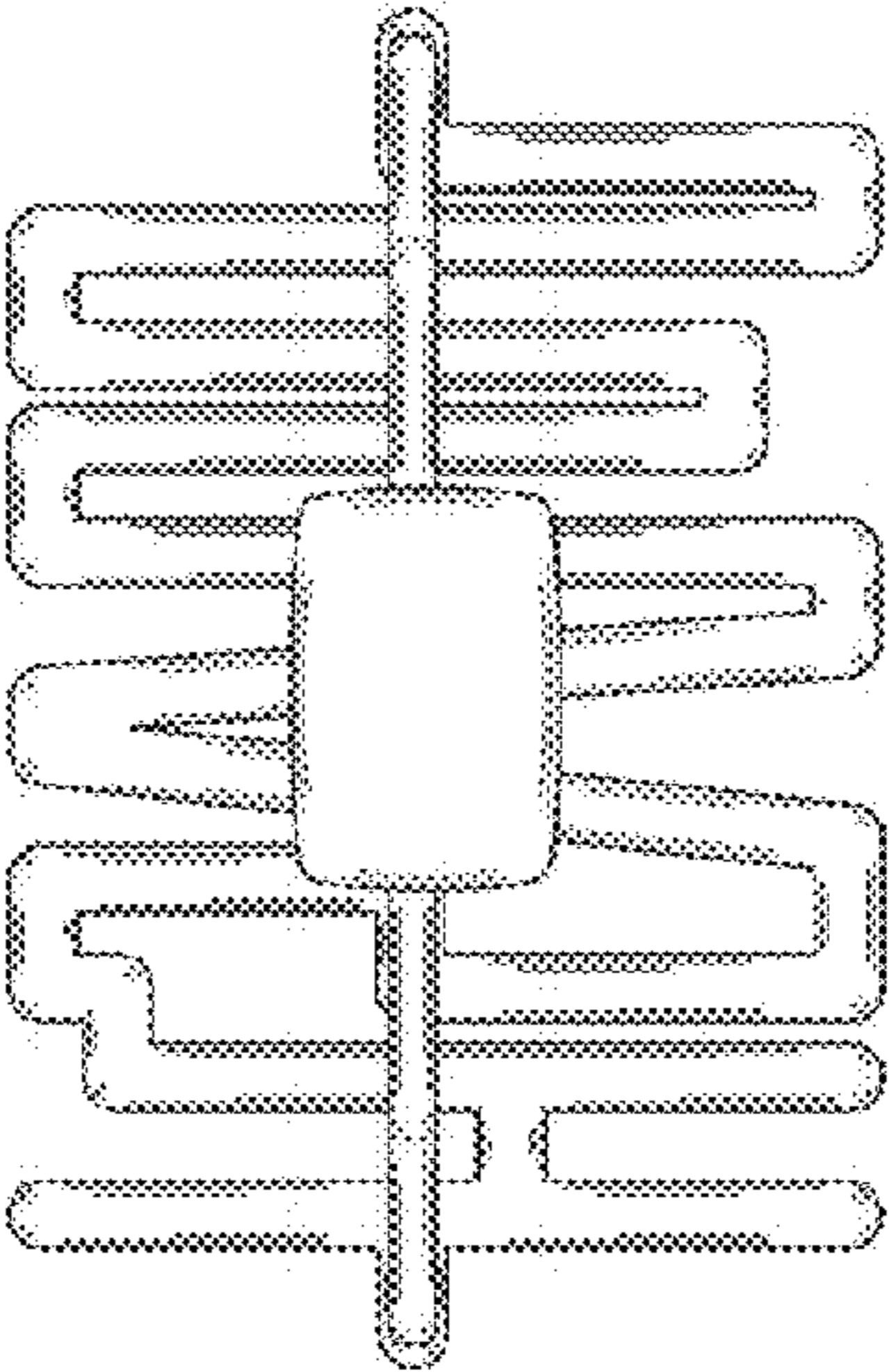


Fig. 1

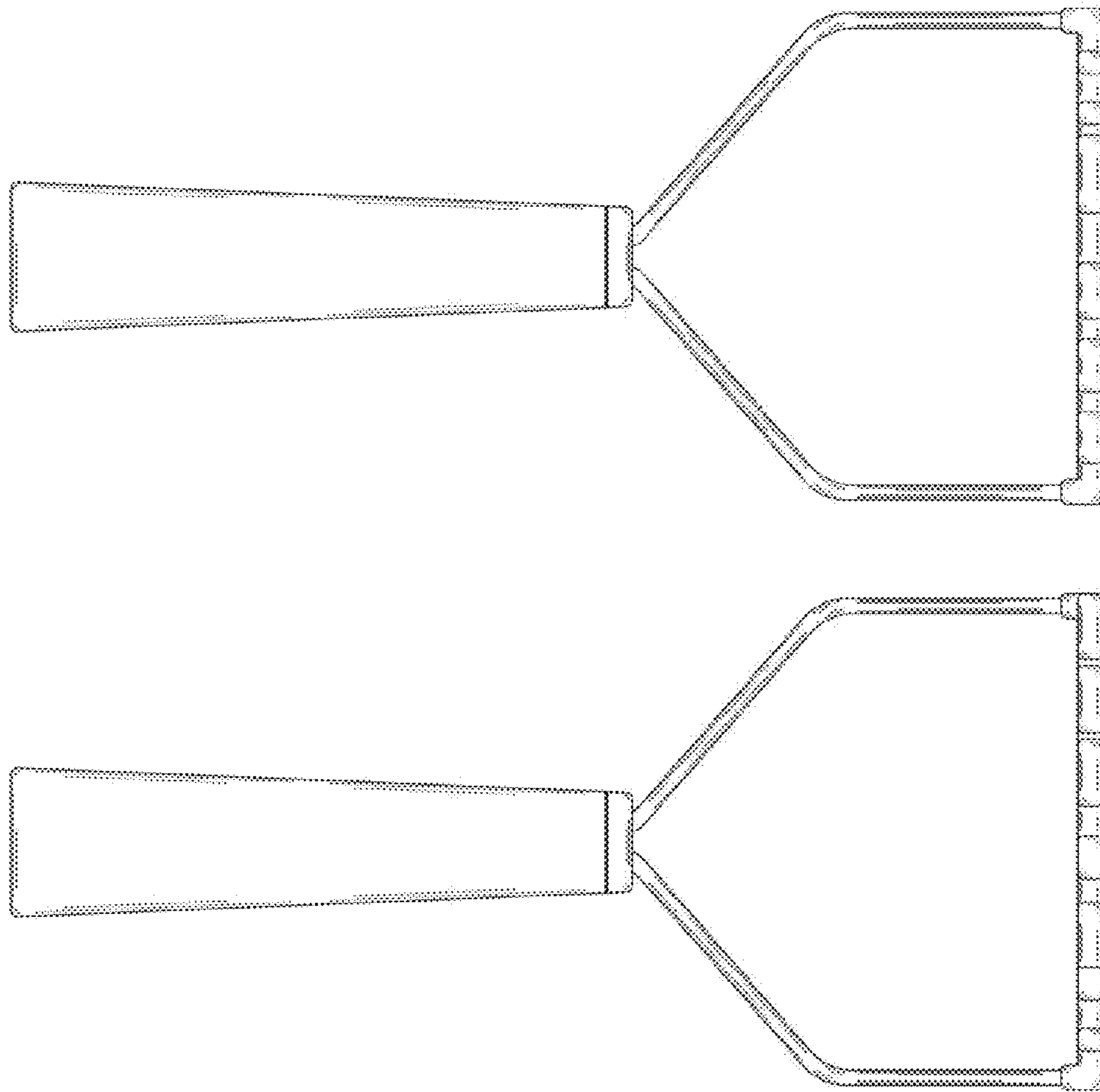


Fig. 5

Fig. 6

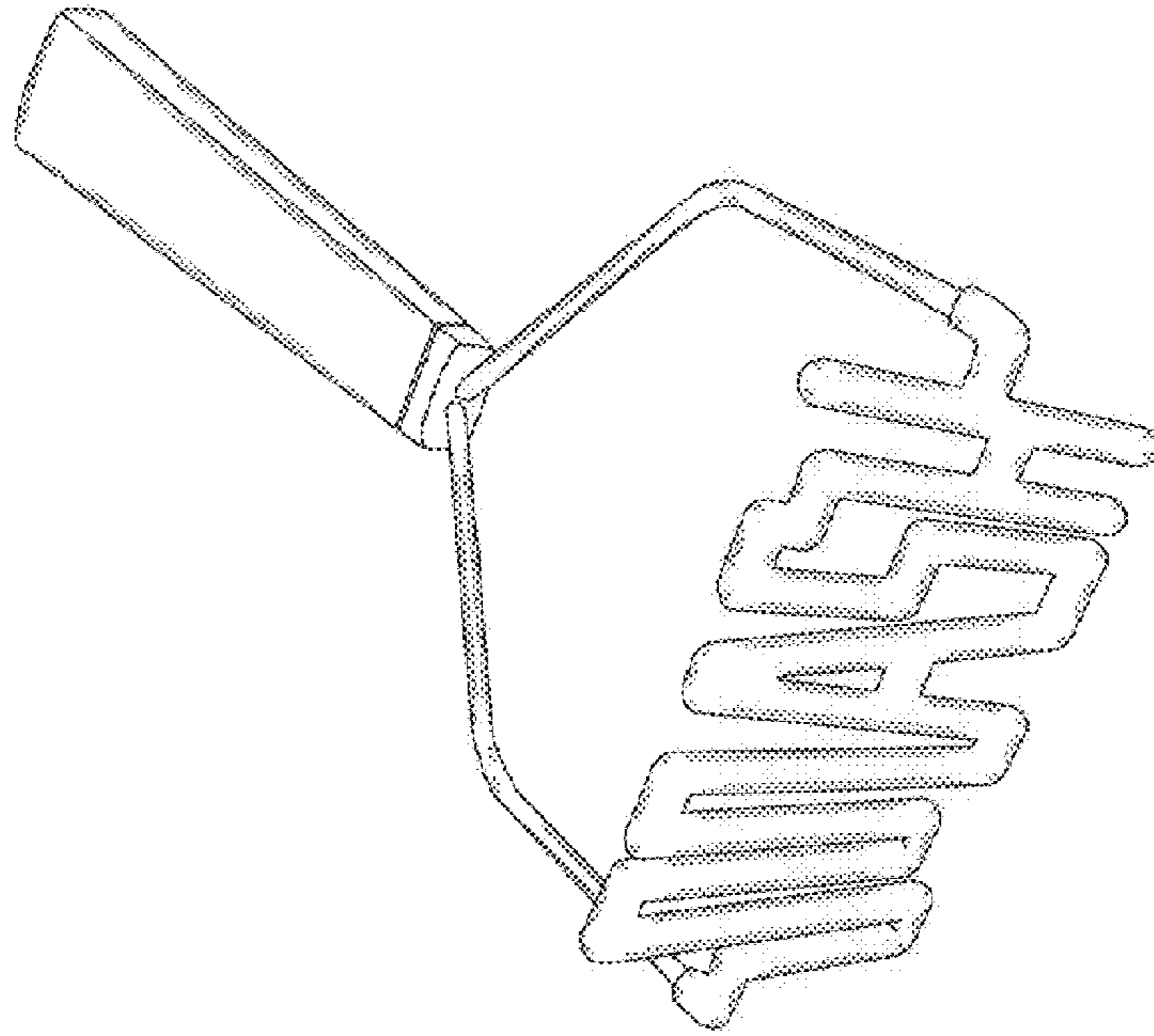


Fig. 7