

US00D651868S

(12) **United States Design Patent**
Thornton

(10) **Patent No.:** **US D651,868 S**
(45) **Date of Patent:** **** Jan. 10, 2012**

(54) **FOOD SLICER**

(75) Inventor: **Andrew Thornton**, Godalming (GB)

(73) Assignee: **DKB Household UK Limited**,
Farnborough, Hamshire (GB)

(**) Term: **14 Years**

(21) Appl. No.: **29/382,354**

(22) Filed: **Jan. 3, 2011**

(30) **Foreign Application Priority Data**

Jul. 7, 2010 (EM) 001728932-0001

(51) **LOC (9) Cl.** **07-04**

(52) **U.S. Cl.** **D7/673**

(58) **Field of Classification Search** D7/672-677,
D7/678, 381, 382, 384, 669, 368, 372; 241/93,
241/94, 101.1, 37.5, 36, 273.1-273.4, 100,
241/285.1, 283, 285.2, 168, 169; 83/651.1,
83/648, 356.2, 431, 425.3, 435.15, 437.7,
83/441.1, 247, 856, 857, 932, 167, 13; 99/537,
99/588; 30/279.6, 280

See application file for complete search history.

(56) **References Cited**

U.S. PATENT DOCUMENTS

D326,388 S * 5/1992 Boerner D7/673
6,082,645 A * 7/2000 Himmighofen et al. ... 241/285.2

6,732,622 B2 * 5/2004 Vincent 83/431
D495,218 S * 8/2004 Yu D7/673
D503,314 S * 3/2005 Wong D7/673
D505,301 S * 5/2005 Wong D7/673
D534,041 S * 12/2006 De Buyer D7/673
D535,162 S * 1/2007 De Buyer D7/673
D548,548 S * 8/2007 Lee D7/673
D573,853 S * 7/2008 Ericsson D7/672
7,543,768 B2 * 6/2009 Cohen et al. 241/36
2007/0089577 A1 * 4/2007 Wong 83/13

* cited by examiner

Primary Examiner — Terry Wallace

(74) *Attorney, Agent, or Firm* — Harry K. Ahn; Abelman
Frayne & Schwab

(57) **CLAIM**

The ornamental design for a food slicer, as shown and described.

DESCRIPTION

FIG. 1 is a front view of a food slicer showing my new design; FIG. 2 is a right side view of the food slicer of FIG. 1; FIG. 3 is a rear view of the food slicer of FIG. 1; FIG. 4 is a top, front, and left side perspective view of the food slicer of FIG. 1; FIG. 5 is a left side view of the food slicer of FIG. 1; and, FIG. 6 is a top plan view of the food slicer of FIG. 1. The broken lines shown in the drawing views are included for illustrative purposes only and are not intended to limit the claimed design.

1 Claim, 6 Drawing Sheets

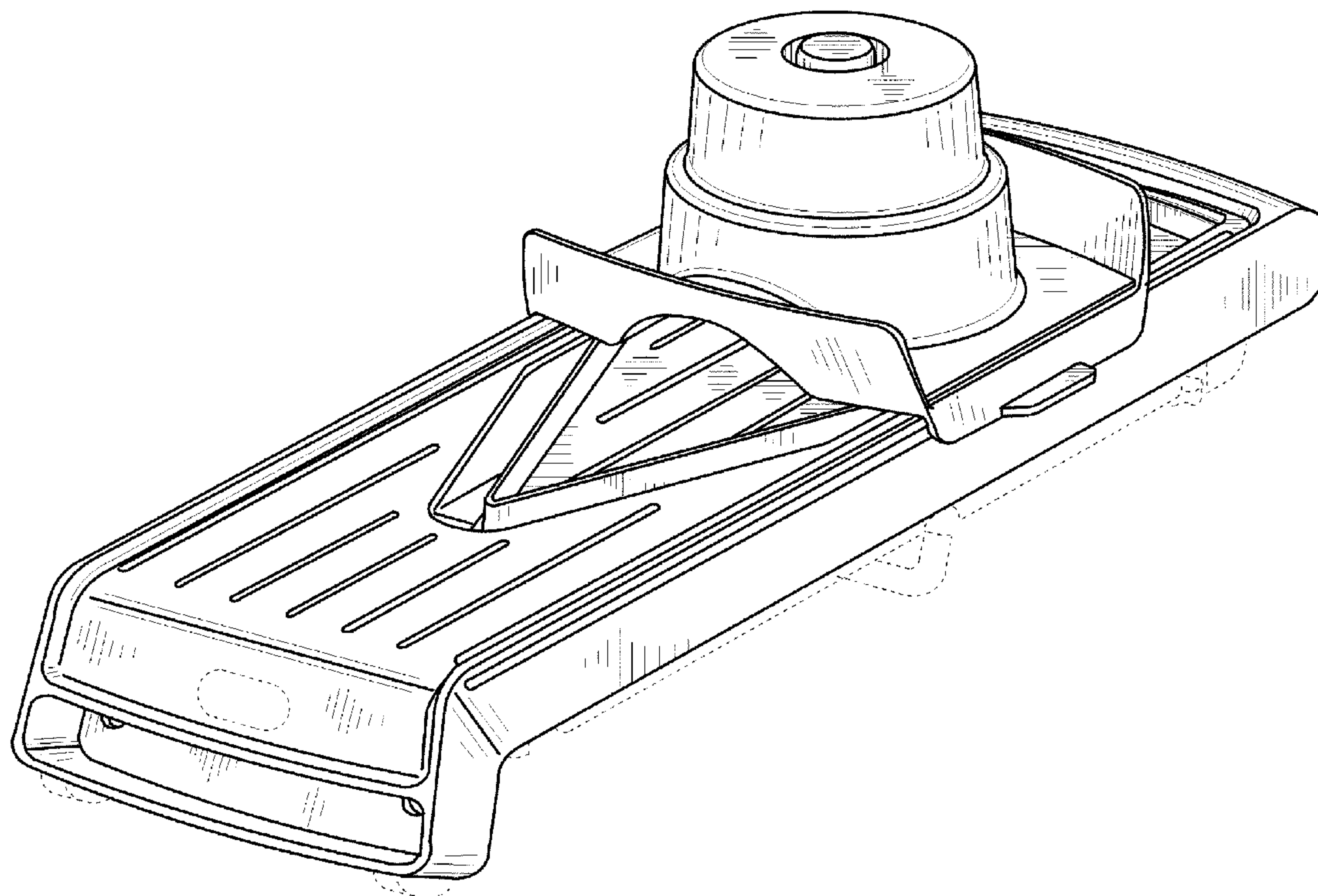


Fig. 1

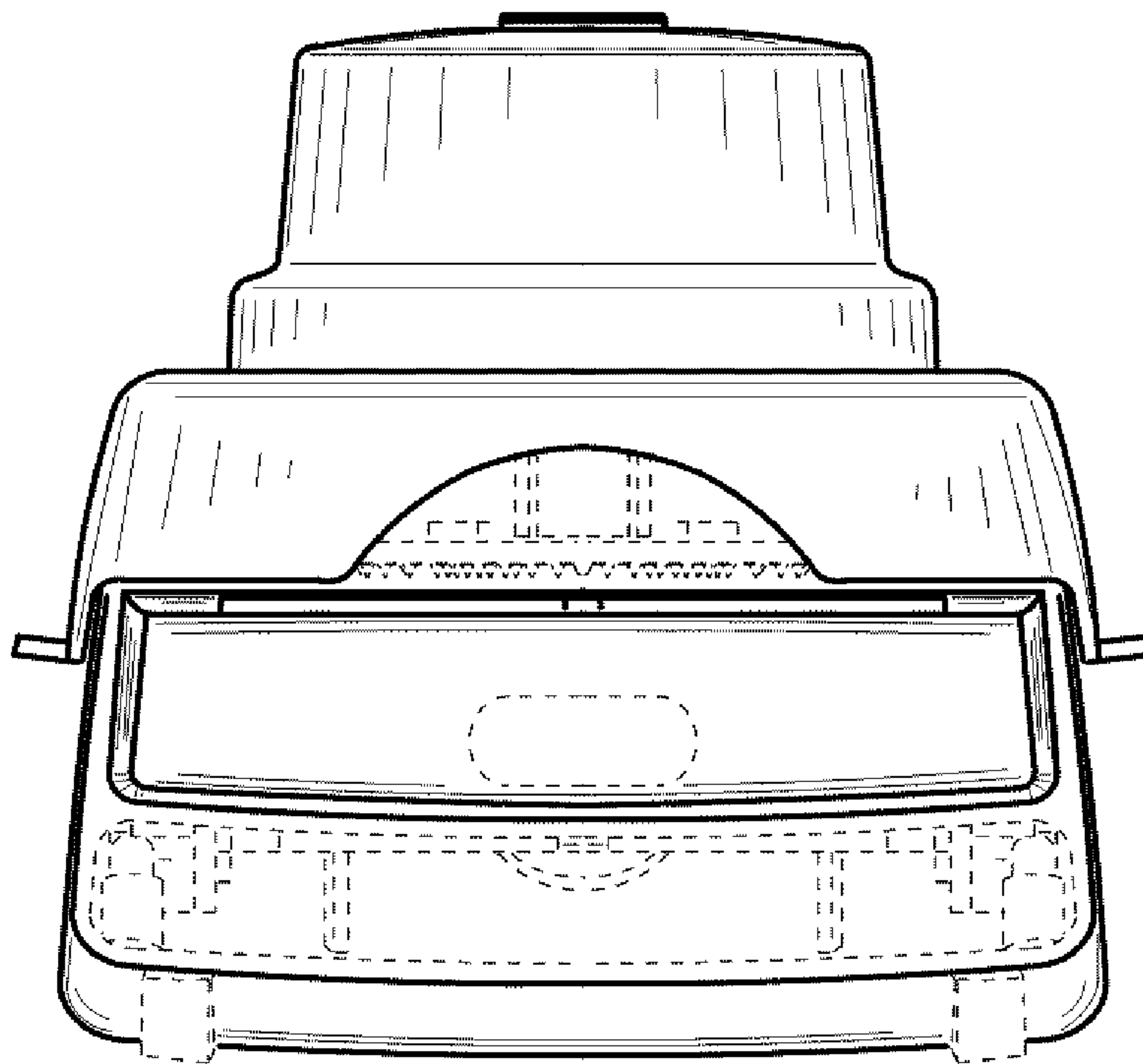


Fig 2

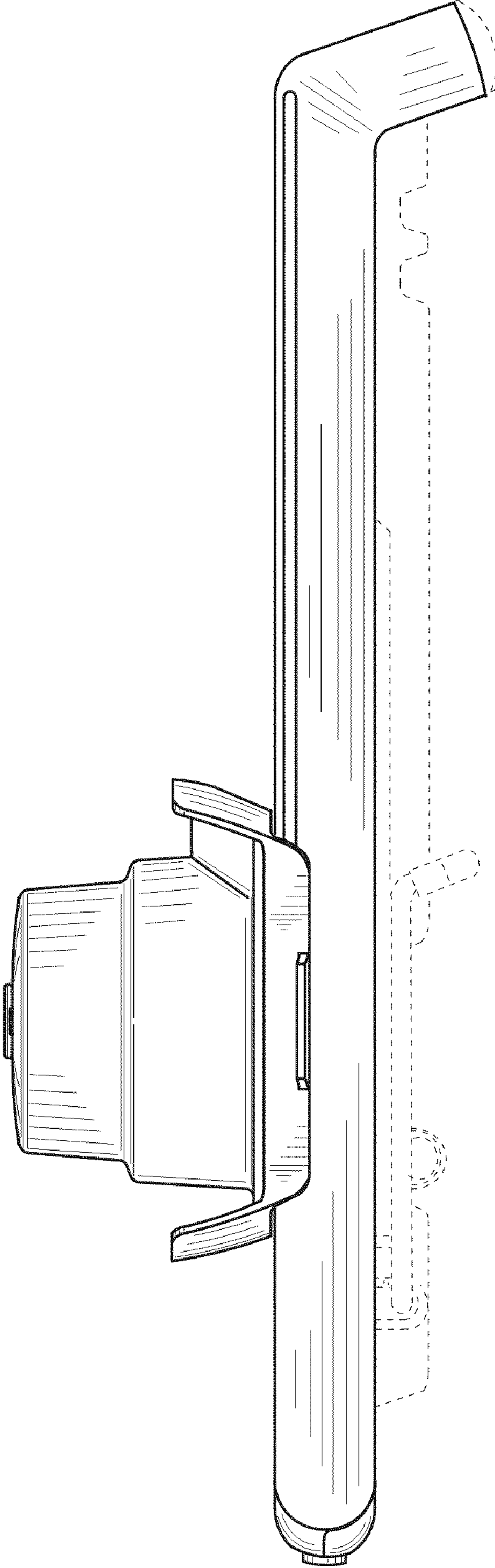
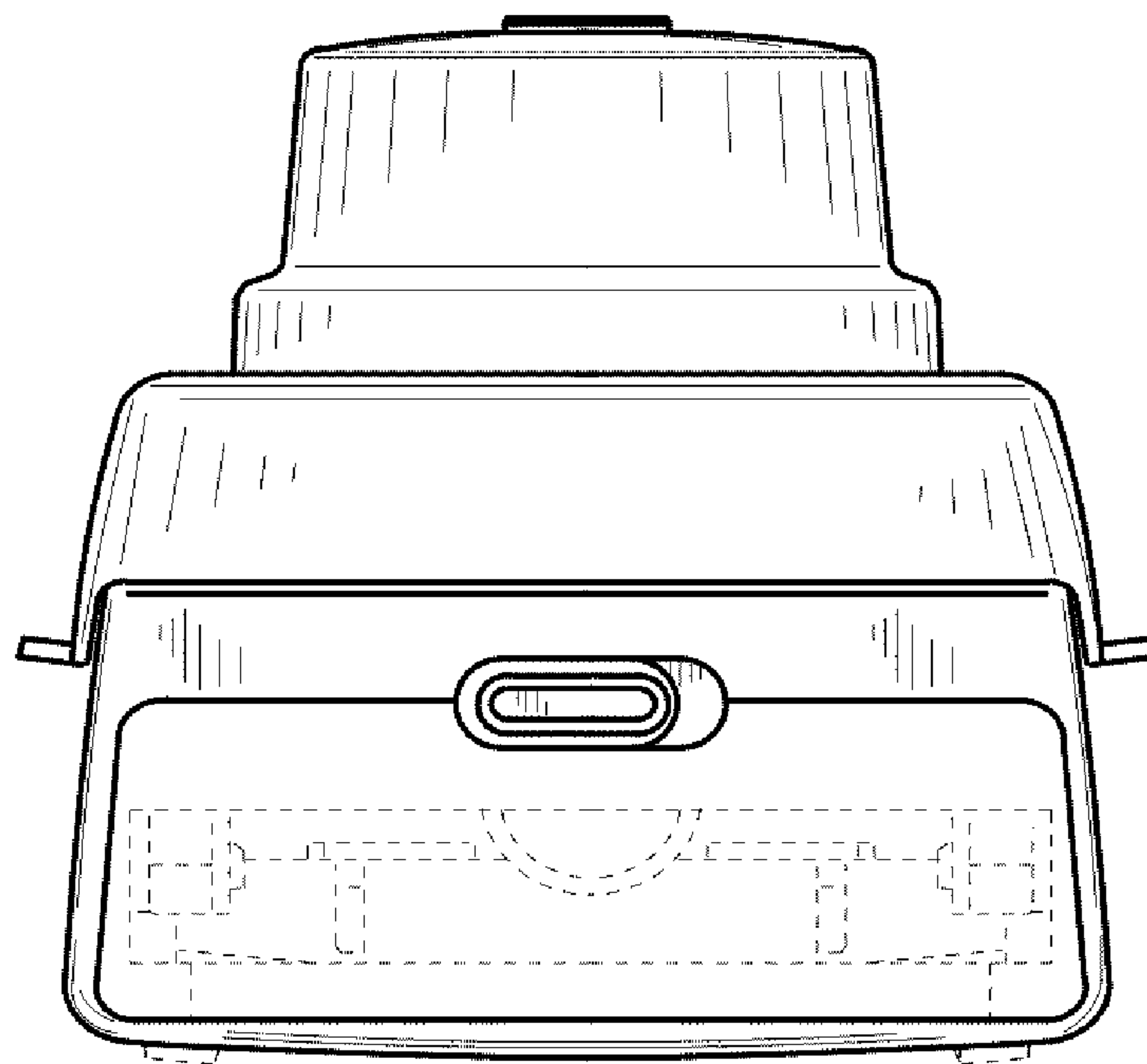


Fig. 3



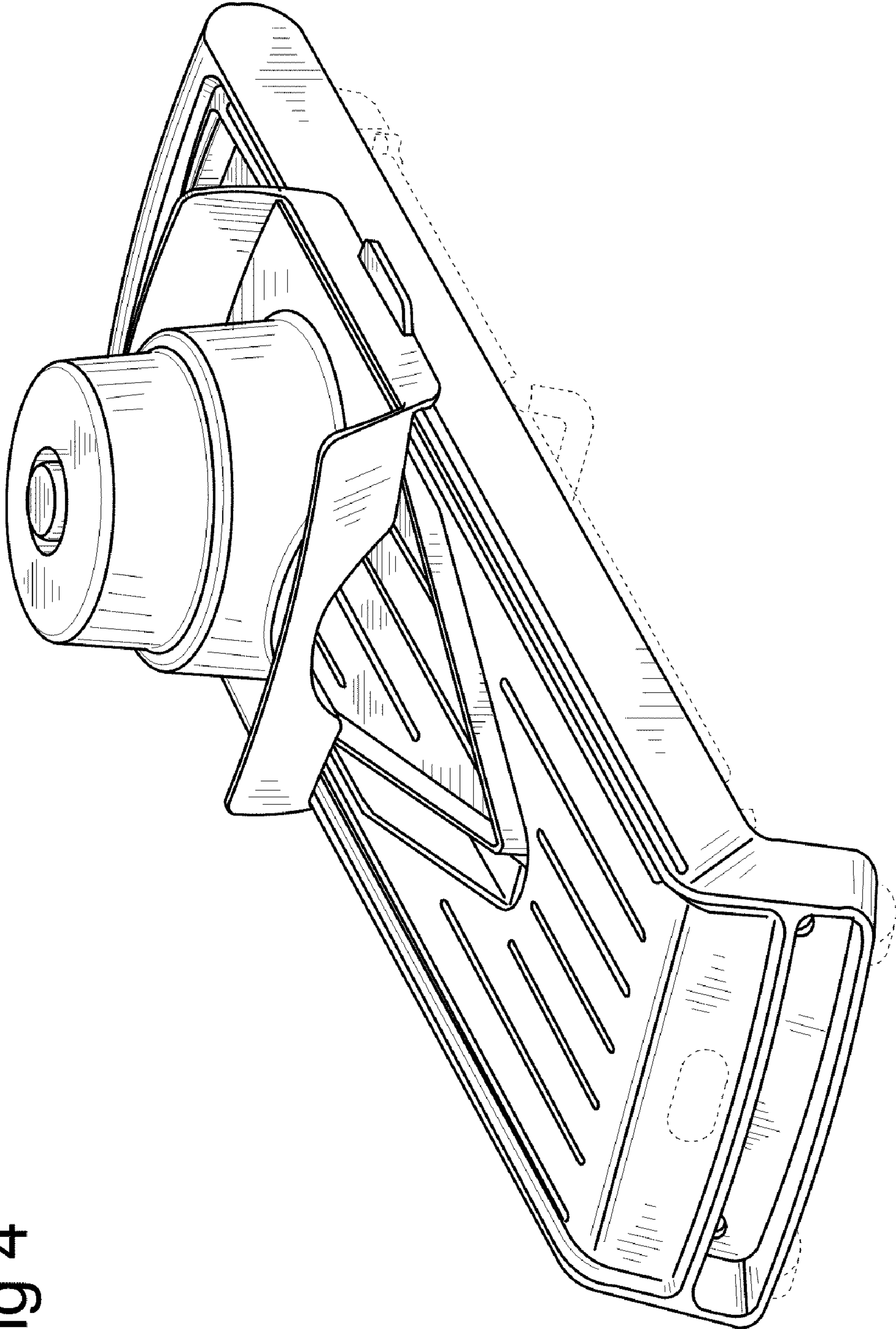


Fig 4

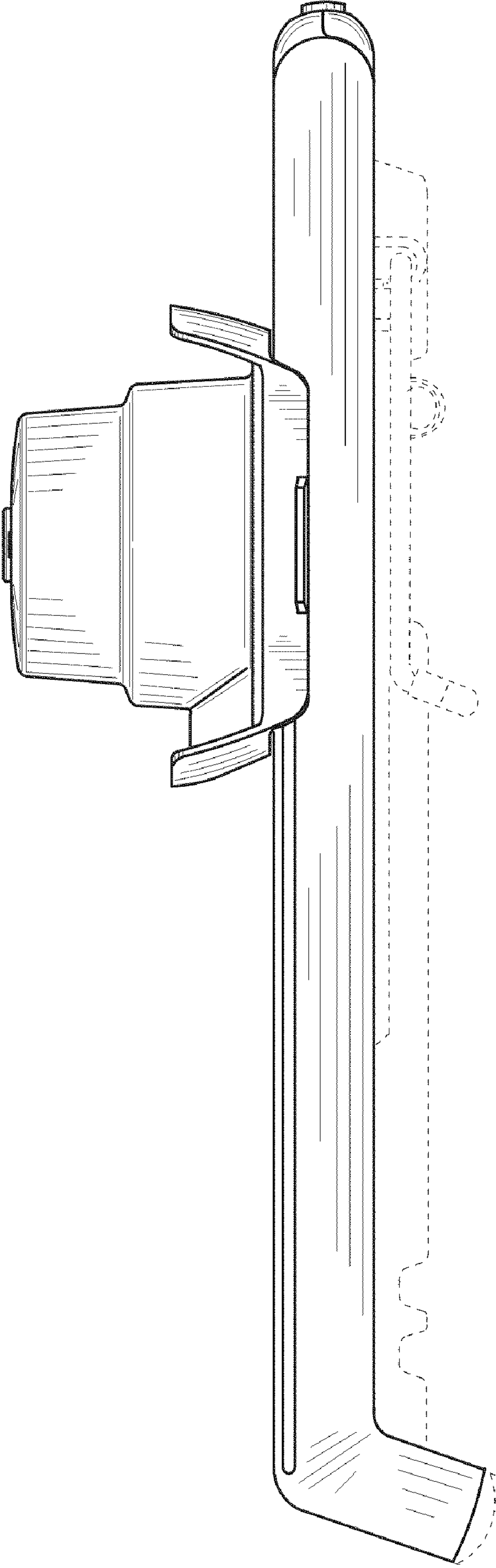


Fig 5

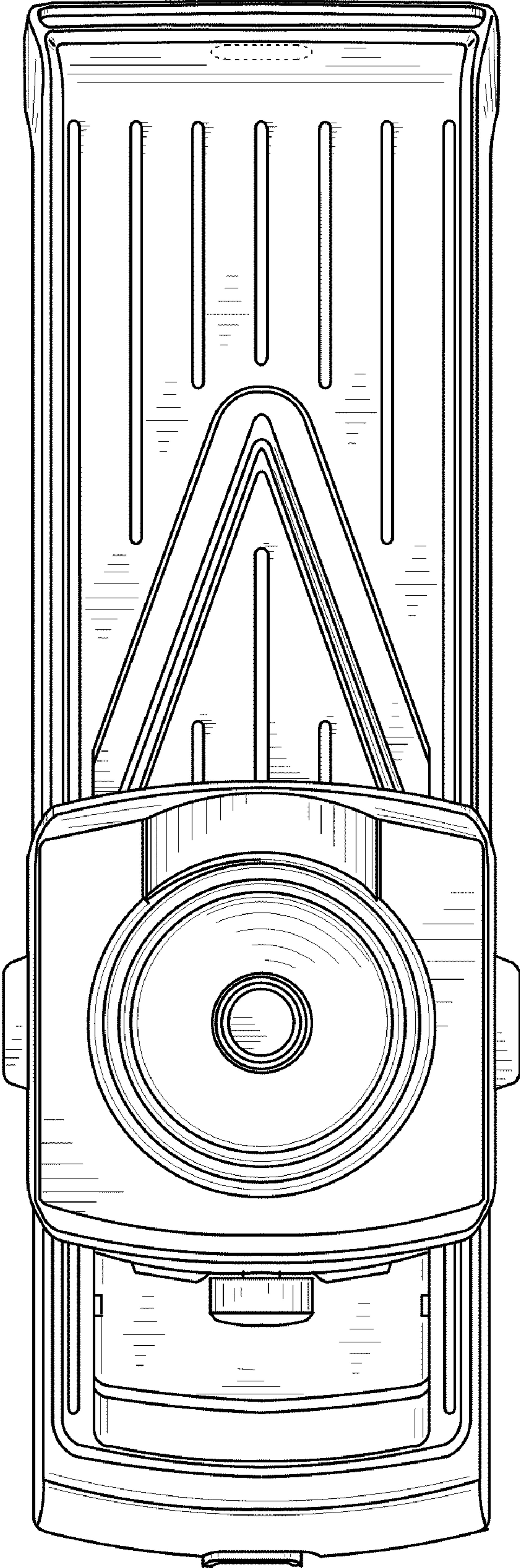


Fig 6