



US00D651866S

(12) **United States Design Patent**
Smyers

(10) **Patent No.:** **US D651,866 S**
(45) **Date of Patent:** **** Jan. 10, 2012**

(54) **BOWL**

(75) Inventor: **Justin Smyers**, Newport Beach, CA
(US)

(73) Assignee: **Snapware Corporation**, Mira Loma,
CA (US)

(**) Term: **14 Years**

(21) Appl. No.: **29/390,330**

(22) Filed: **Apr. 22, 2011**

Related U.S. Application Data

(62) Division of application No. 29/358,174, filed on Mar.
23, 2010, now Pat. No. Des. 636,641.

(51) **LOC (9) Cl.** **07-01**

(52) **U.S. Cl.** **D7/630; D7/584; D7/602; D9/428;**
D9/500

(58) **Field of Classification Search** **D9/500,**
D9/502-503, 505, 516, 530, 537, 539, 549,
D9/558, 574-575, 414, 424, 425-426, 428;
D7/500, 538, 542-543, 545, 584, 586-587,
D7/601-603, 612, 615, 629-630; D11/143,
D11/152-153; D26/6, 9; 215/379, 381-382;
220/660, 669-670, 672, 675

See application file for complete search history.

(56) **References Cited**

U.S. PATENT DOCUMENTS

2,816,589	A	*	12/1957	Tupper	220/305
D482,575	S	*	11/2003	Mountain	D7/586
D565,907	S	*	4/2008	de Groote et al.	D7/601
D613,125	S	*	4/2010	Sierra et al.	D7/584
D628,443	S	*	12/2010	McTaggart	D7/587
D633,757	S	*	3/2011	Smyers	D7/629
D636,641	S	*	4/2011	Smyers	D7/629

* cited by examiner

Primary Examiner — Ian Simmons

Assistant Examiner — Dana L Sipos

(74) *Attorney, Agent, or Firm* — Larry K. Roberts

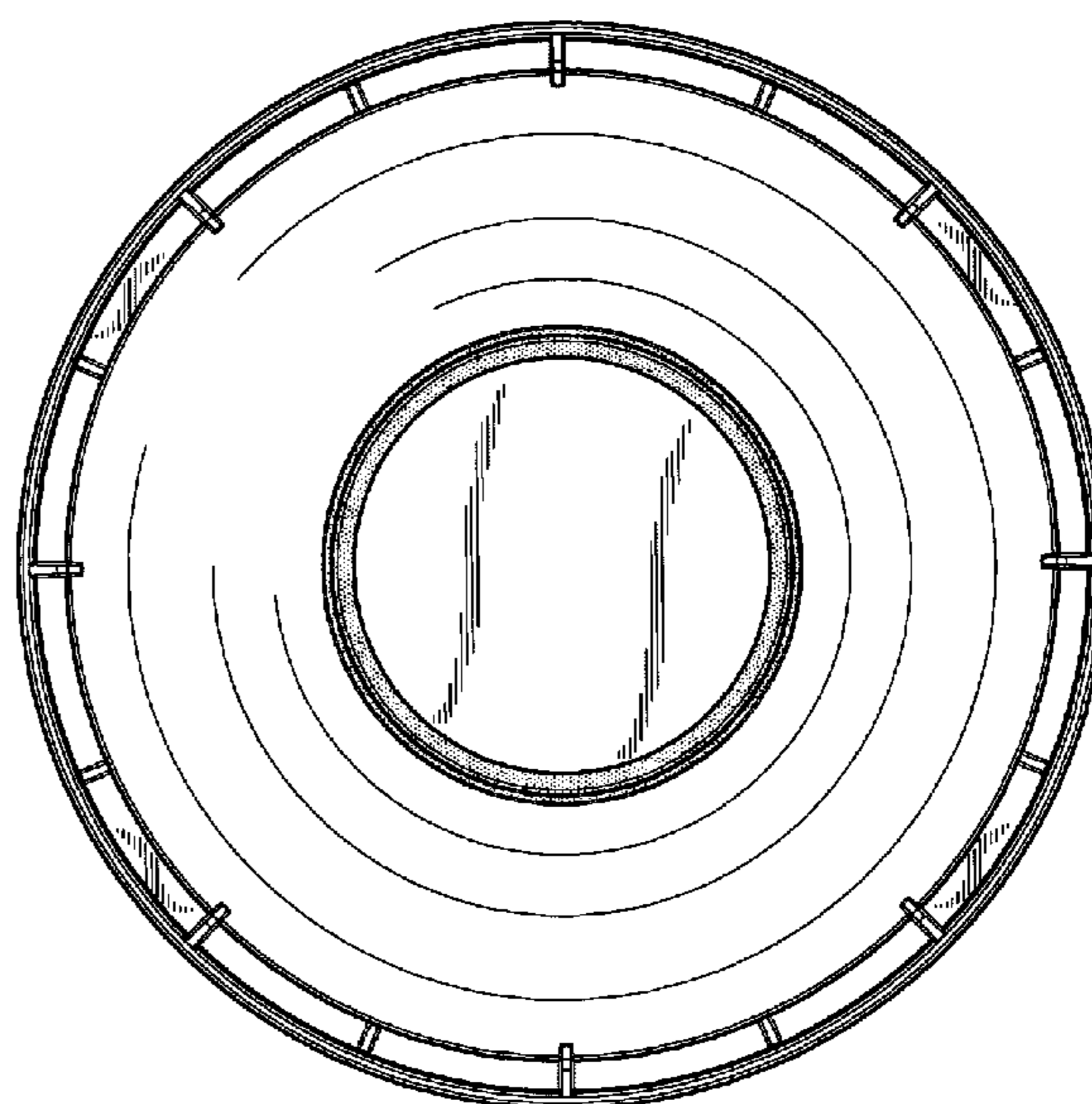
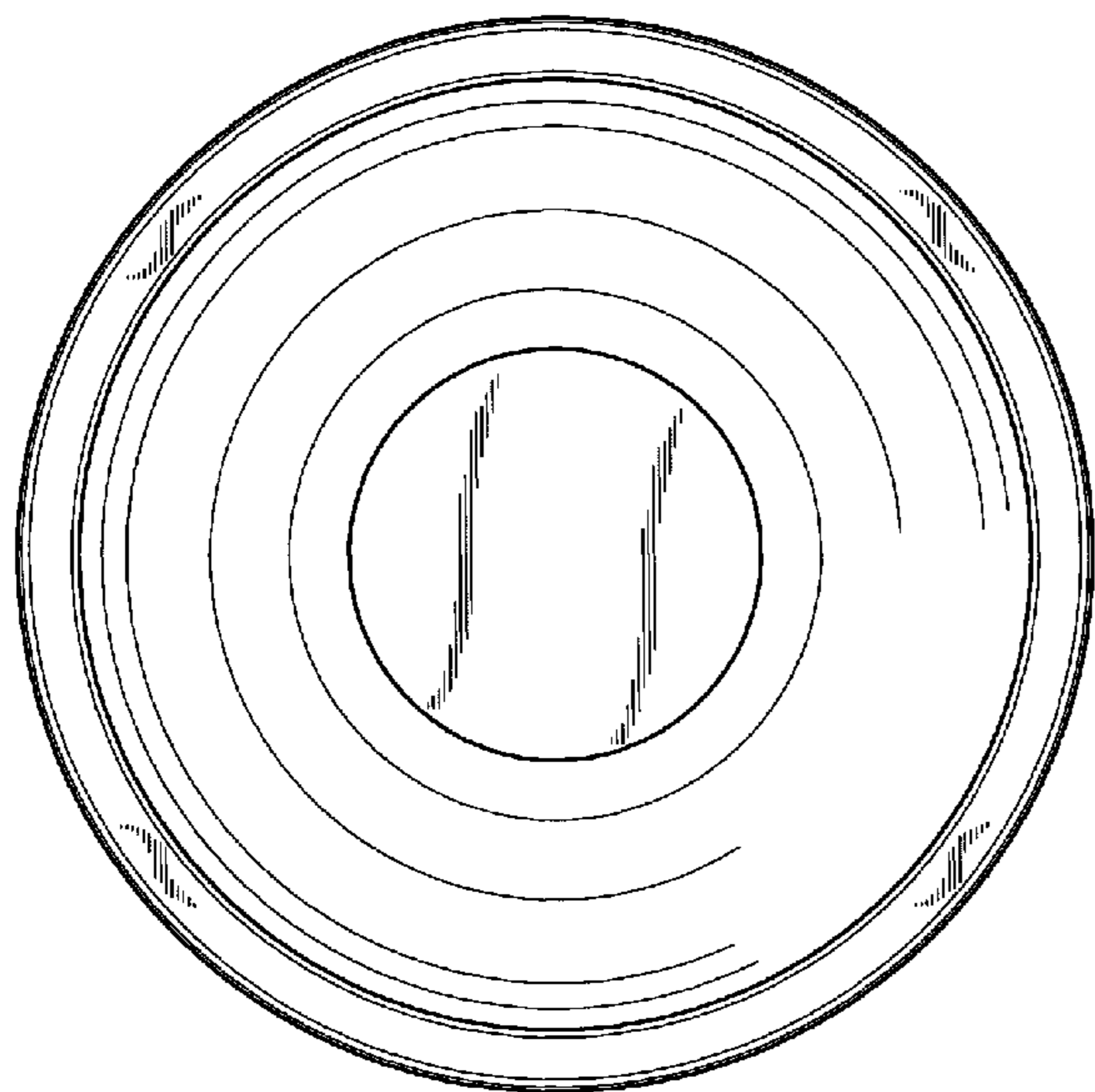
(57) **CLAIM**

The ornamental design for a bowl, as shown and described.

DESCRIPTION

FIG. 1 is an isometric view of an embodiment of the design;
FIG. 2 is a top view of the embodiment of FIG. 1;
FIG. 3 is a bottom view of the embodiment of FIG. 1;
FIG. 4 is a front elevation view of the embodiment of FIG. 1,
the left, right and back elevation views of the embodiment of
FIG. 1 being identical to the front view of FIG. 4;
FIG. 5 is an isometric view of another embodiment of the
design;
FIG. 6 is a top view of the embodiment of FIG. 5;
FIG. 7 is a bottom view of the embodiment of FIG. 5; and,
FIG. 8 is a front elevation view of the embodiment of FIG. 5,
the left, right and back elevation views of the embodiment of
FIG. 5 being identical to the front view of FIG. 8.
The stippling in the FIG. 3 drawing view in the drawings
represents a contrasting surface.

1 Claim, 8 Drawing Sheets



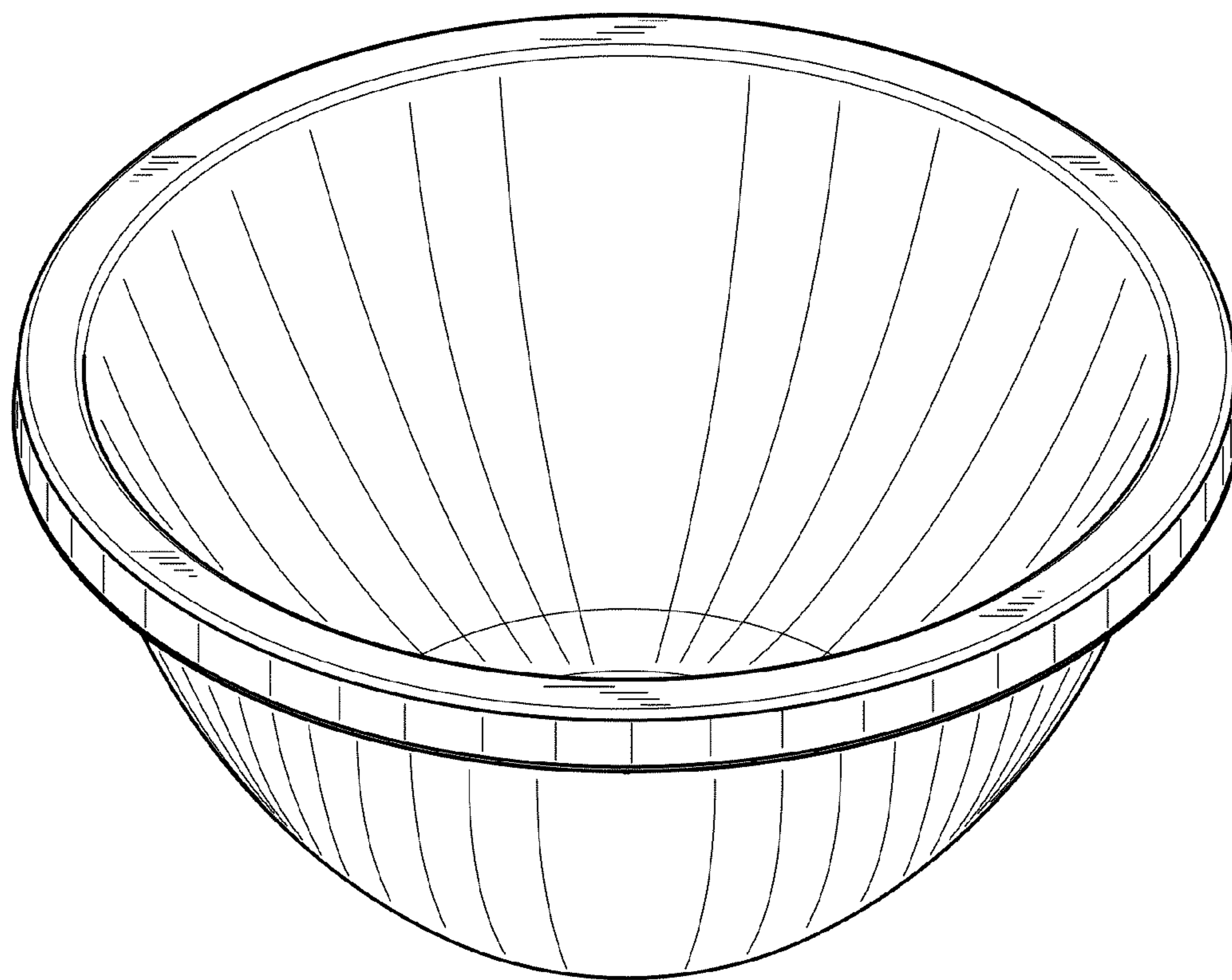


FIG. 1

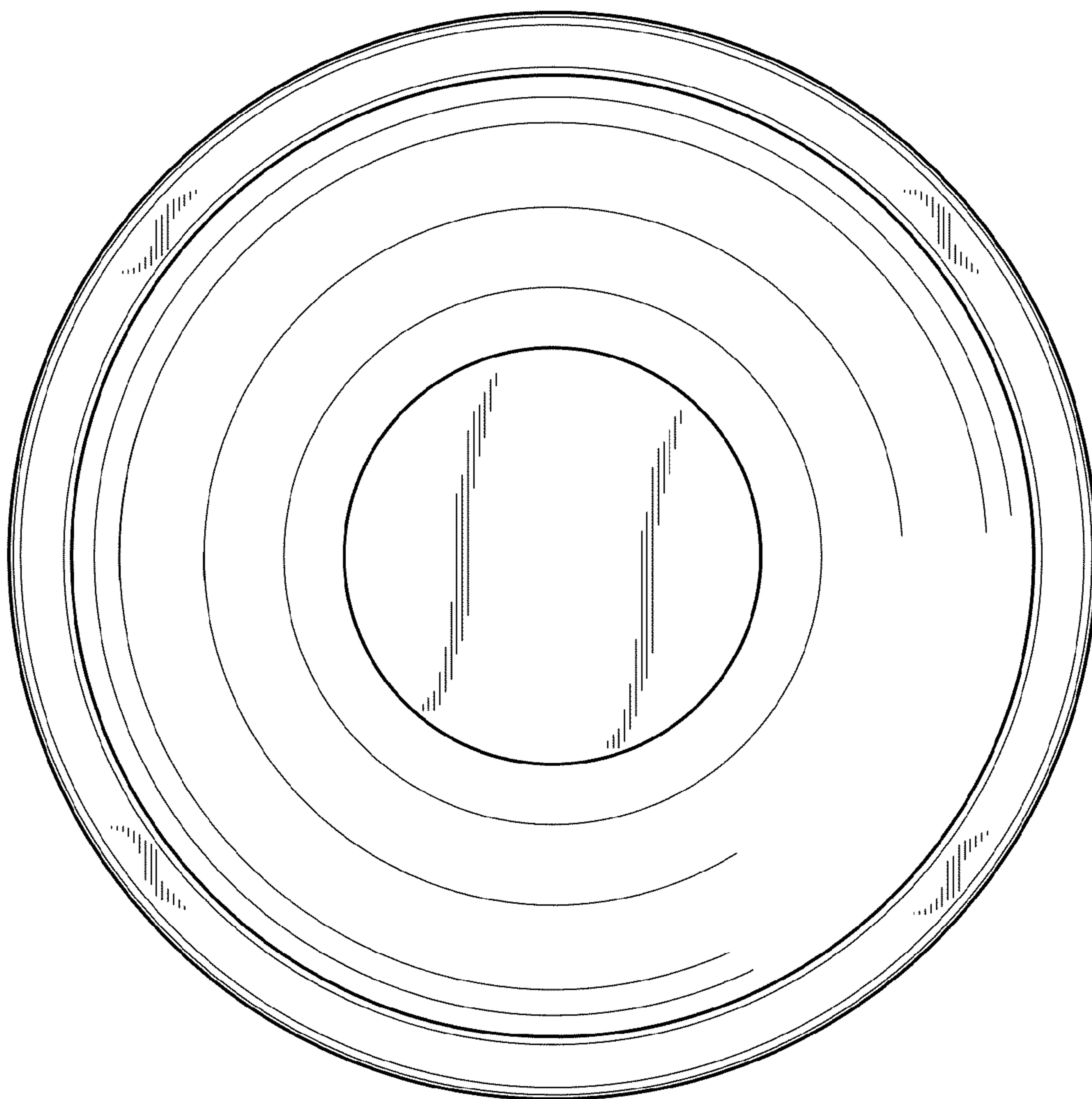


FIG. 2

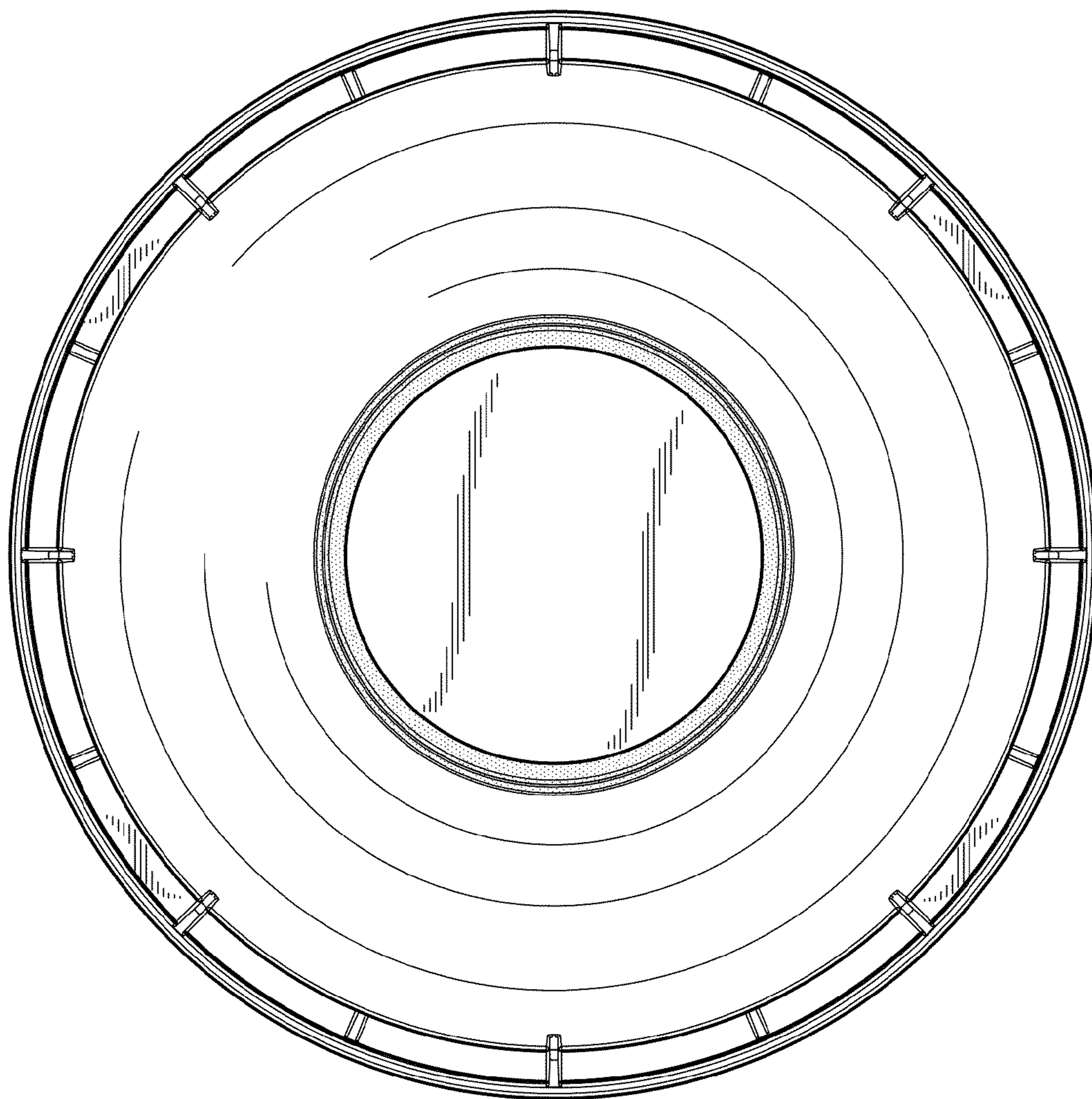


FIG. 3

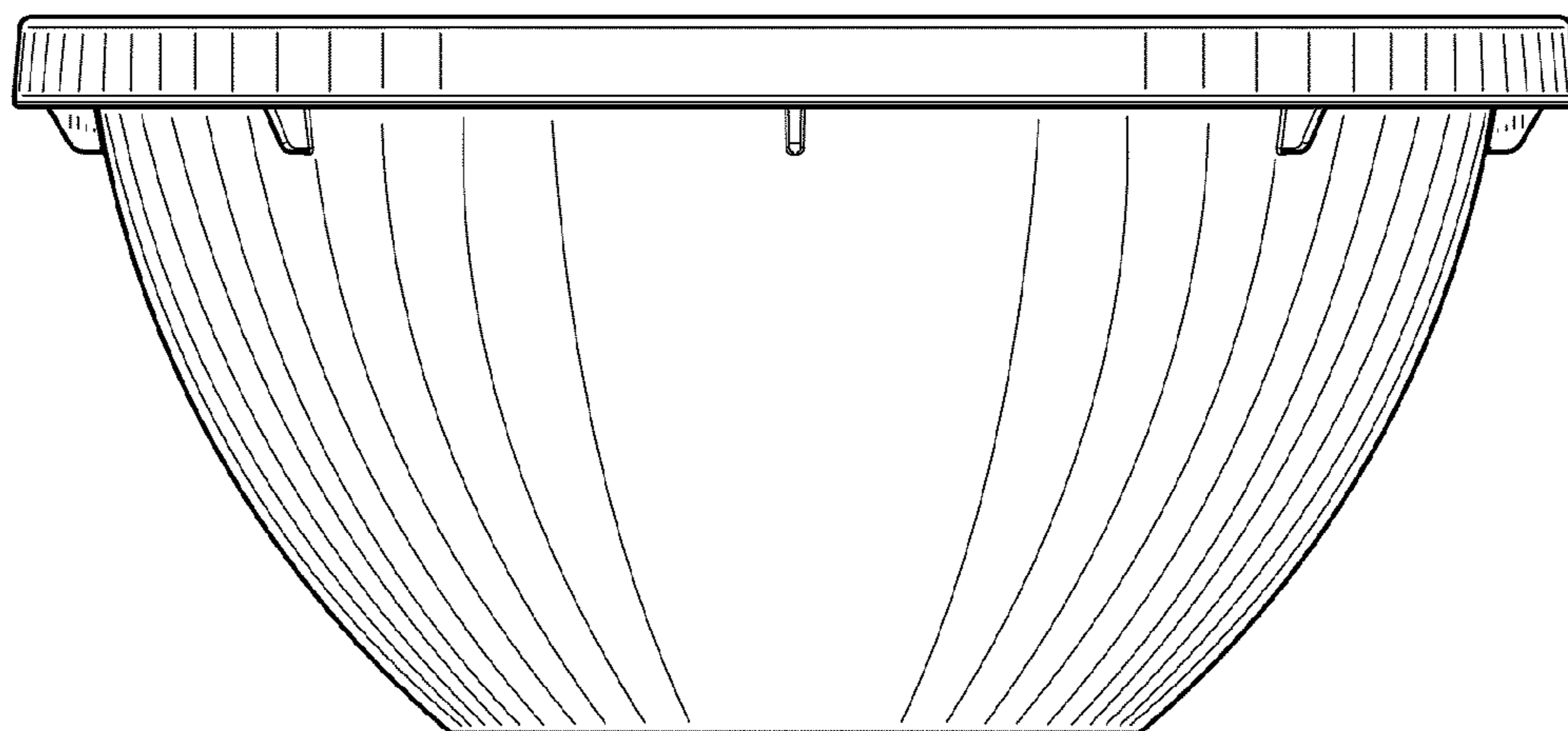


FIG. 4

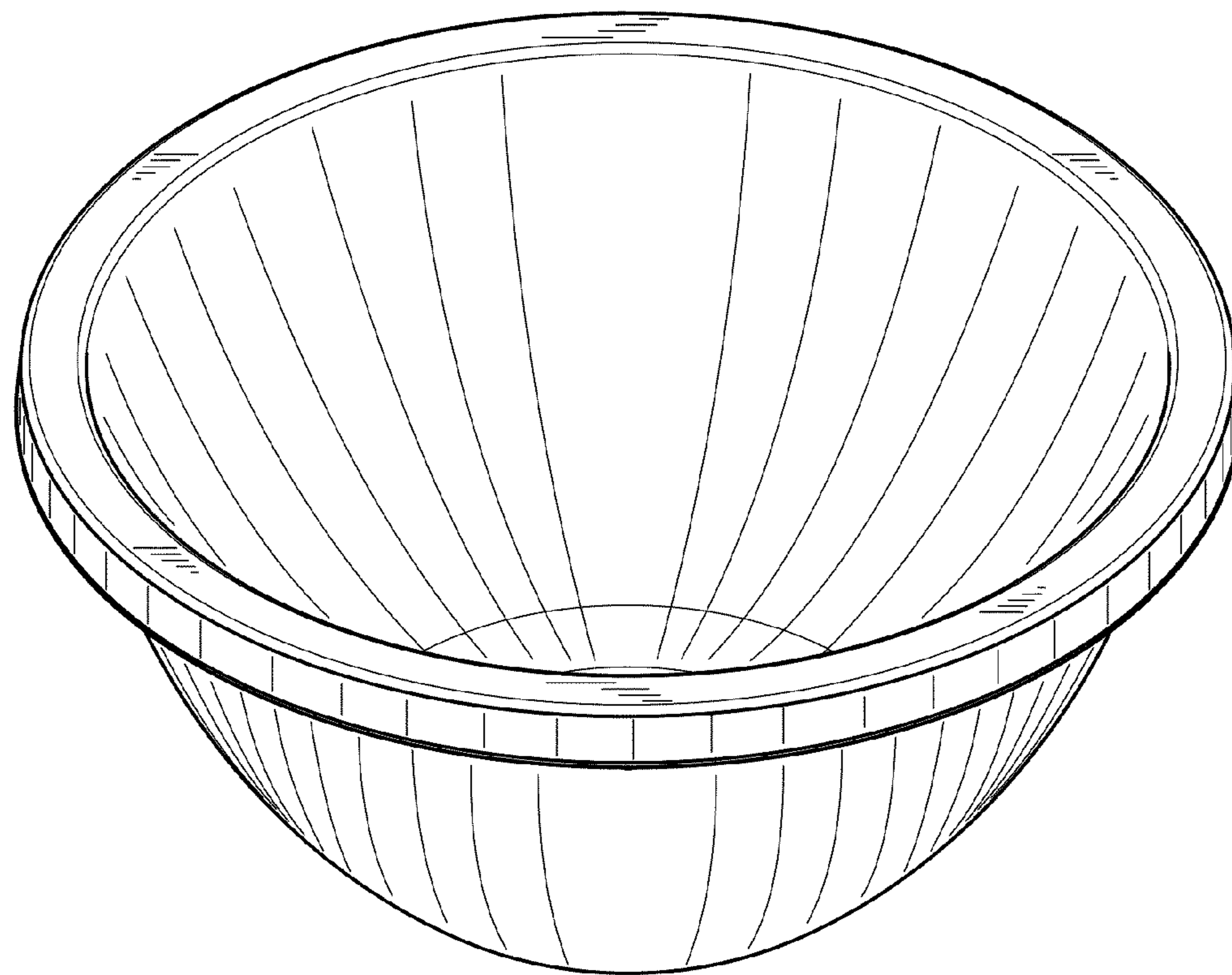


FIG. 5

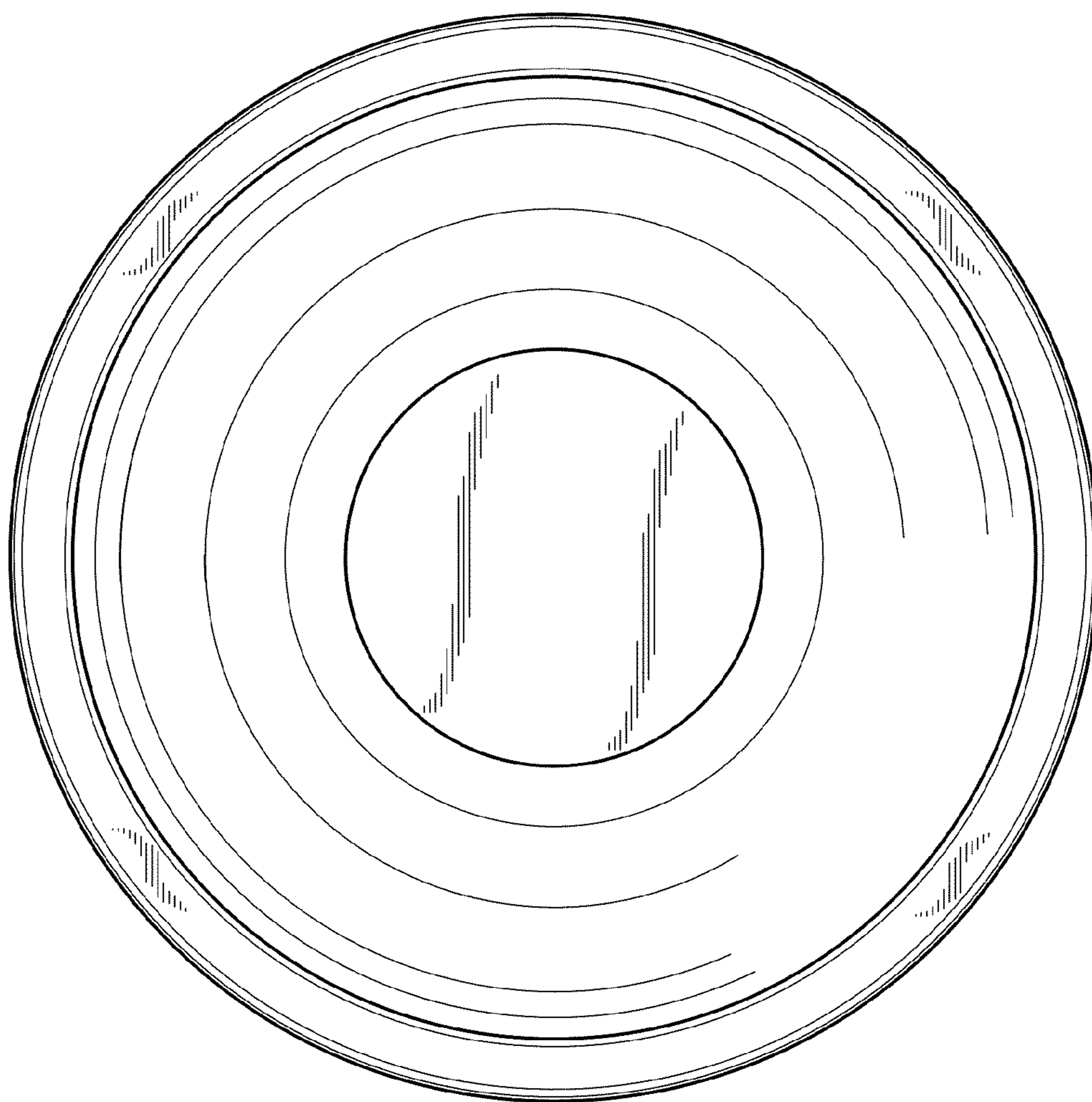


FIG. 6

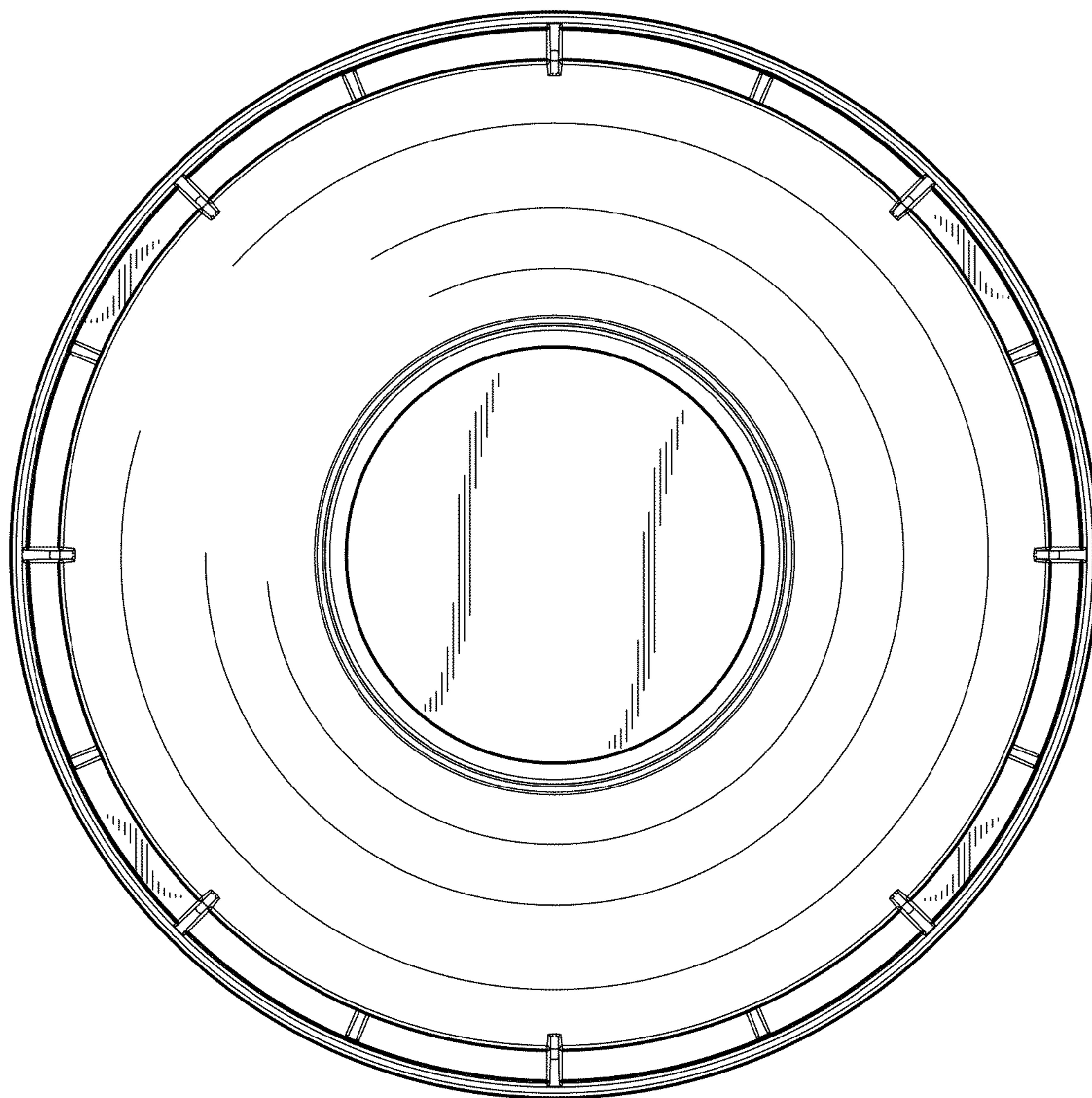


FIG. 7

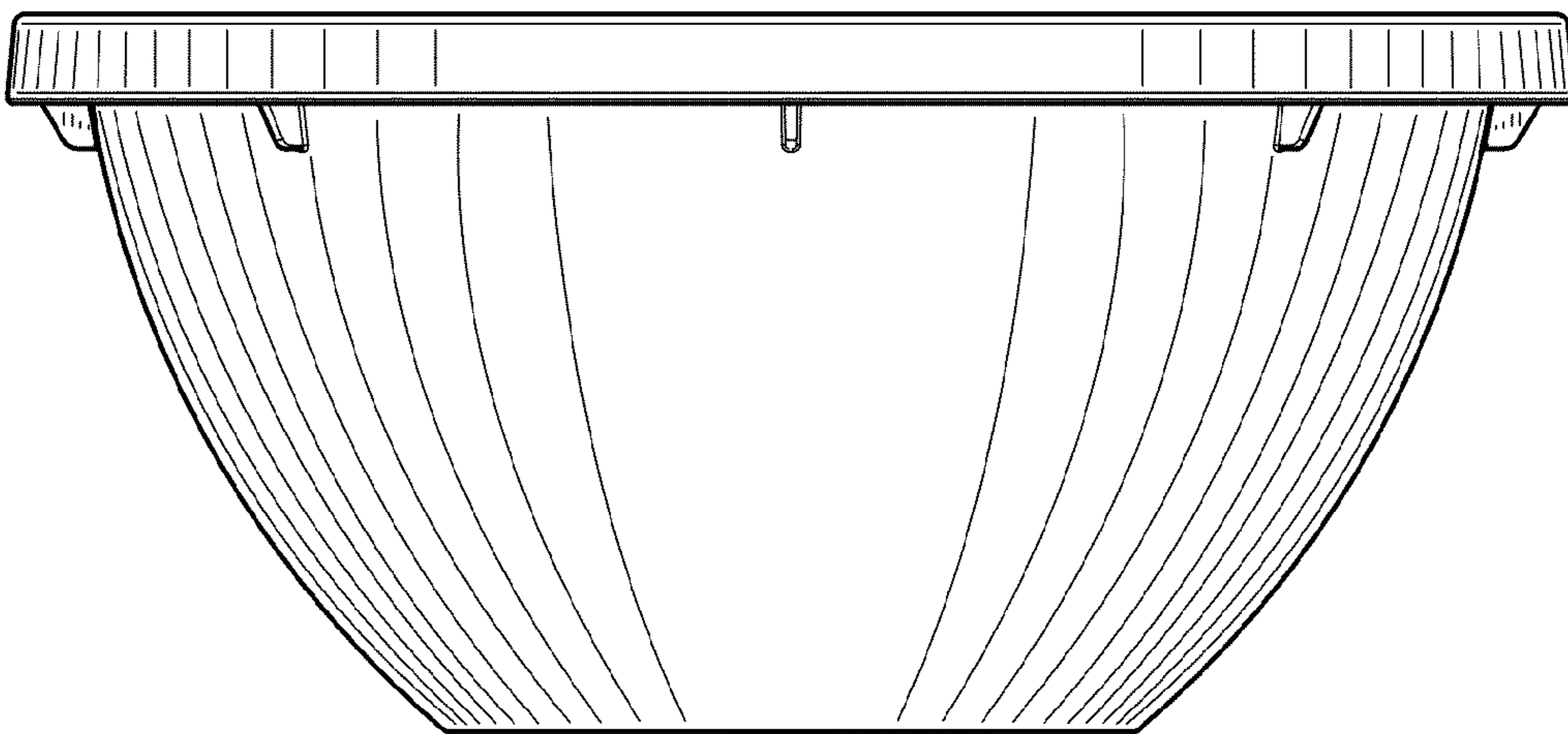


FIG. 8