



US00D651863S

(12) **United States Design Patent**
Ehrenhaus et al.

(10) **Patent No.:** **US D651,863 S**
(45) **Date of Patent:** **** Jan. 10, 2012**

(54) **LEMON LIME SAVER**

(75) Inventors: **Richard Ehrenhaus**, New York, NY
(US); **Kate Hixon**, Monterey, MA (US)

(73) Assignee: **Hutzler Manufacturing Co., Inc.**,
Canaan, CT (US)

(**) Term: **14 Years**

(21) Appl. No.: **29/366,535**

(22) Filed: **Jul. 27, 2010**

(51) **LOC (9) Cl.** **07-07**

(52) **U.S. Cl.** **D7/628**

(58) **Field of Classification Search** D7/628-630,
D7/602, 612-615, 538-543; D9/643-646,
D9/424-432; 220/574-575, 675, 780-802,
220/326, 256.1

See application file for complete search history.

(56) **References Cited**

U.S. PATENT DOCUMENTS

D132,918 S * 6/1942 Temple D9/646
D152,676 S * 2/1949 Marsa D7/613
4,795,033 A * 1/1989 Duffy 206/457

D417,839 S * 12/1999 Sims et al. D9/646
D538,114 S * 3/2007 Kolano D7/628
D585,297 S * 1/2009 Nielsen et al. D9/646
D608,160 S * 1/2010 Colbert et al. D7/628
D611,774 S * 3/2010 Yung D7/628
D611,777 S * 3/2010 Yung D7/628

* cited by examiner

Primary Examiner — Terry Wallace

(74) *Attorney, Agent, or Firm* — Michael J. Striker

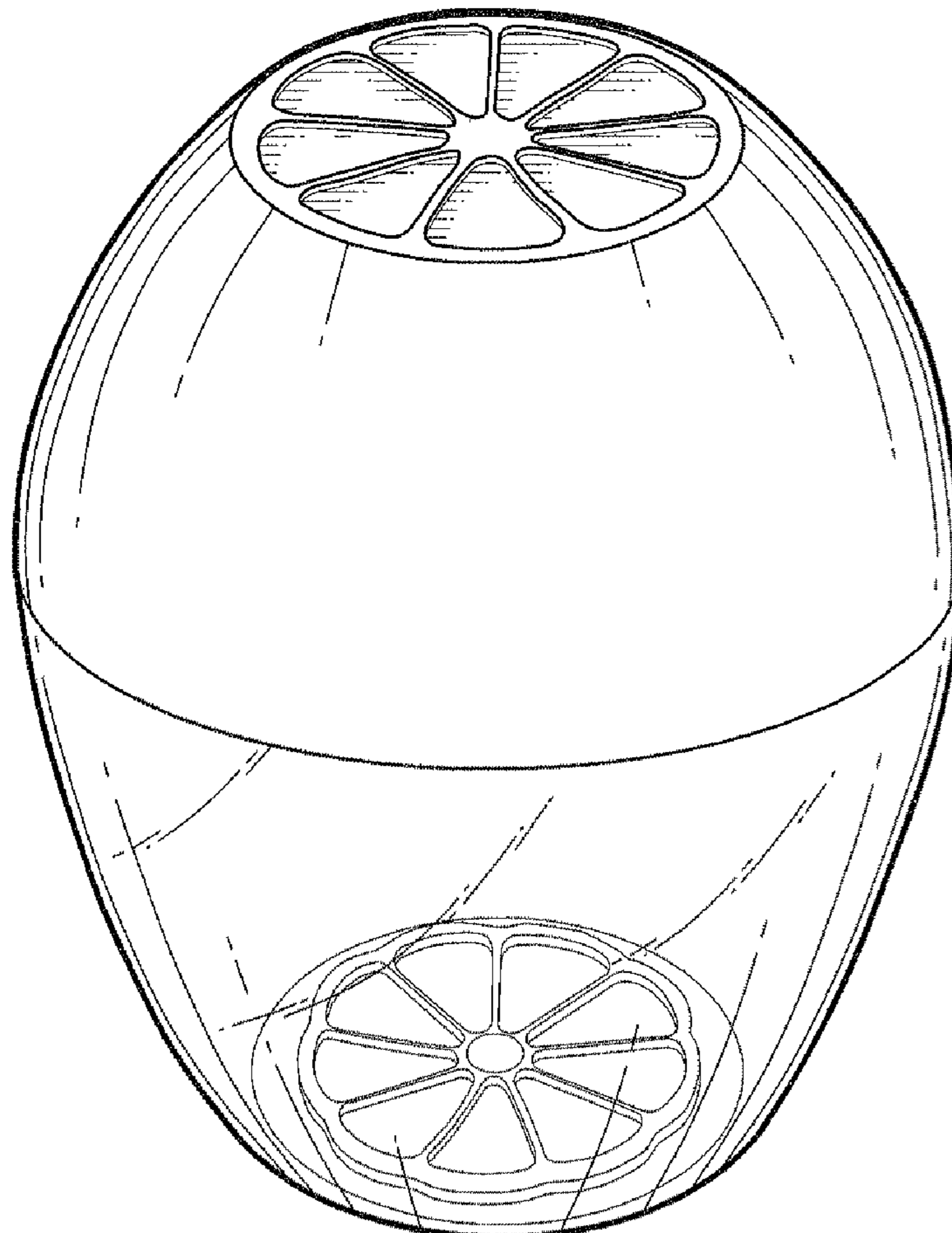
(57) **CLAIM**

The ornamental design for a lemon lime saver, as shown and described.

DESCRIPTION

FIG. 1 is a front perspective view of a lemon lime saver showing our new design;
FIG. 2 is a front view thereof;
FIG. 3 is a right side view thereof;
FIG. 4 is a left side view thereof;
FIG. 5 is a rear view thereof;
FIG. 6 is a bottom view thereof;
FIG. 7 is a top view thereof; and,
FIG. 8 is a sectional view taken at Sec. 8 of FIG. 7.

1 Claim, 4 Drawing Sheets



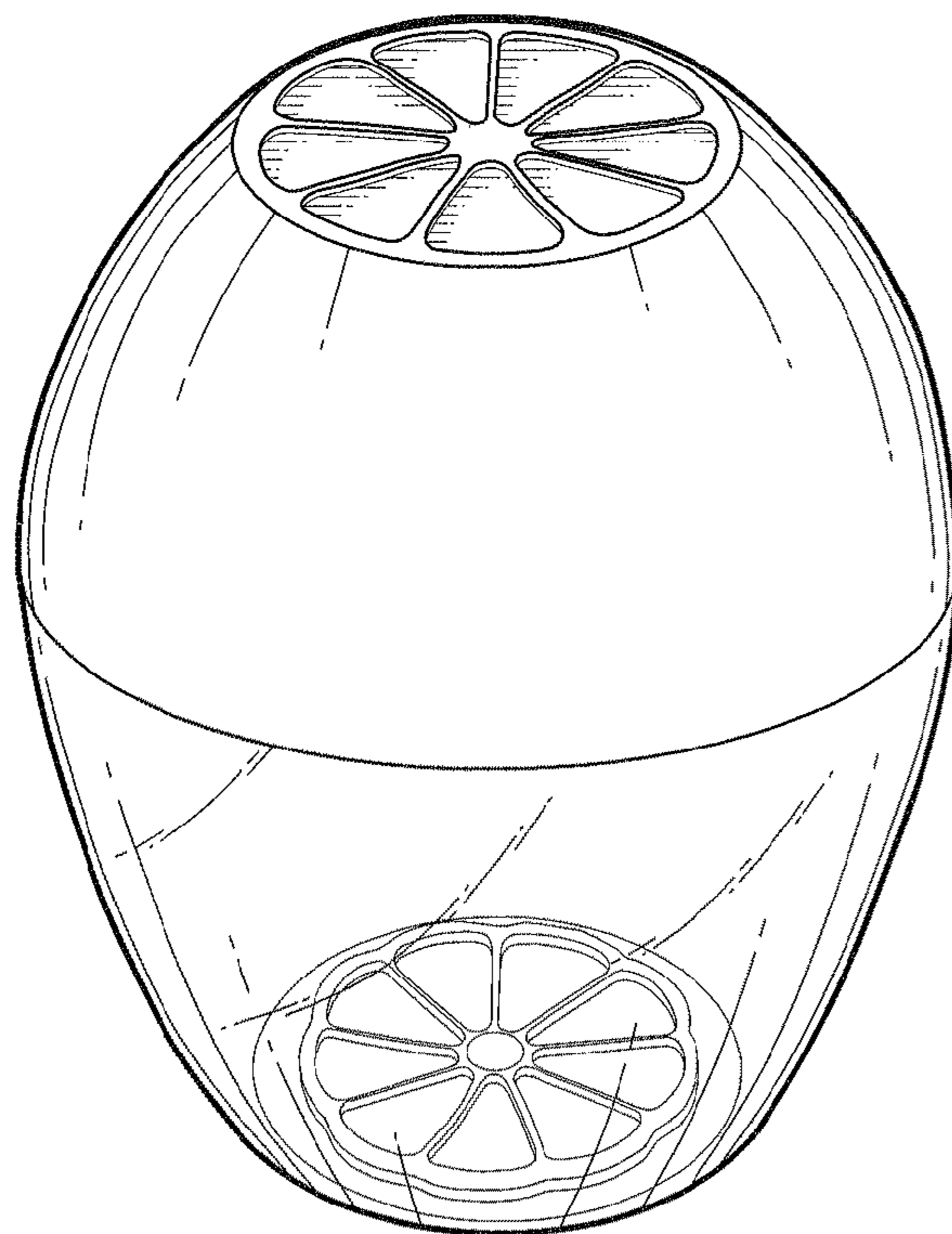


FIG. 1

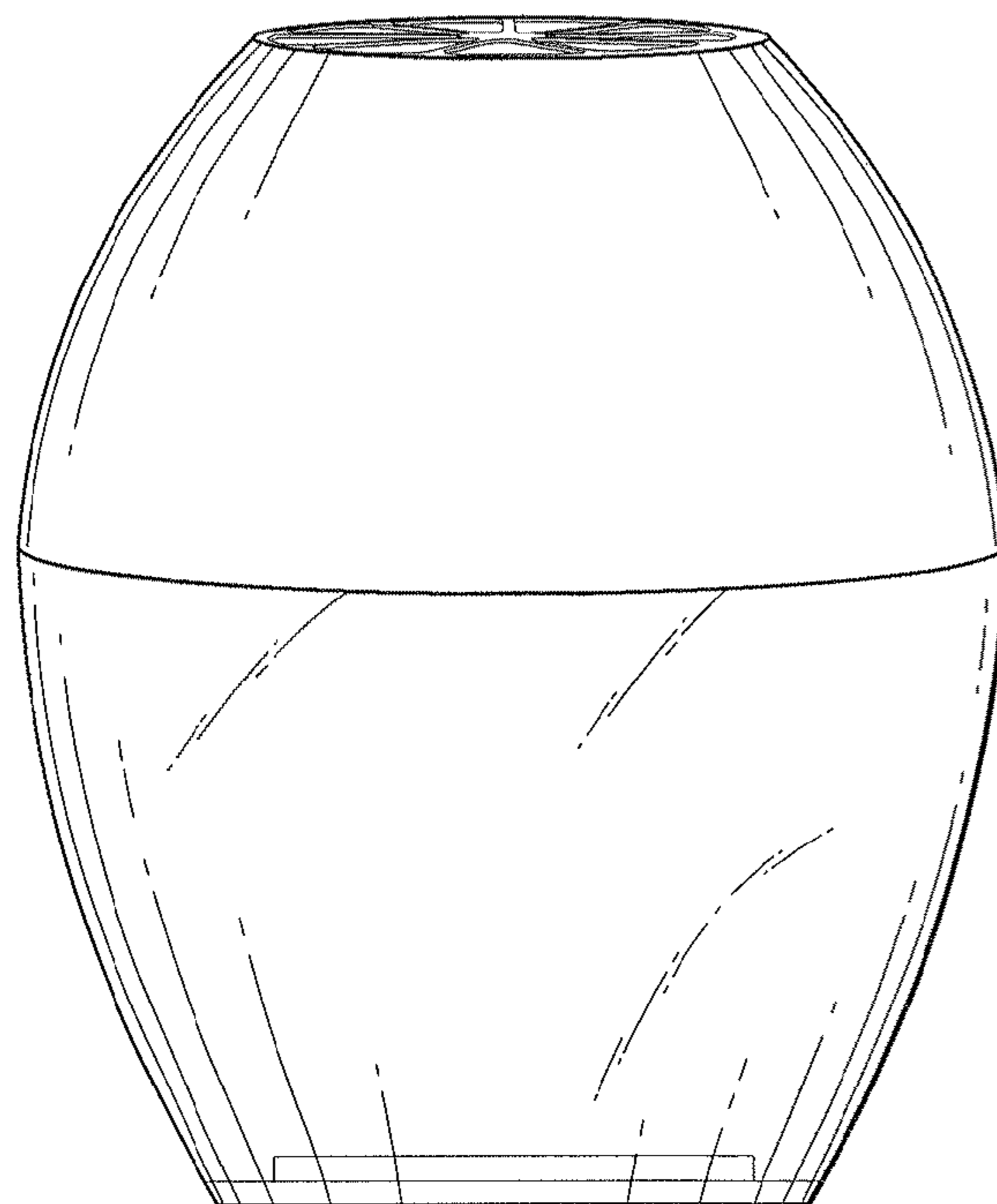


FIG. 2

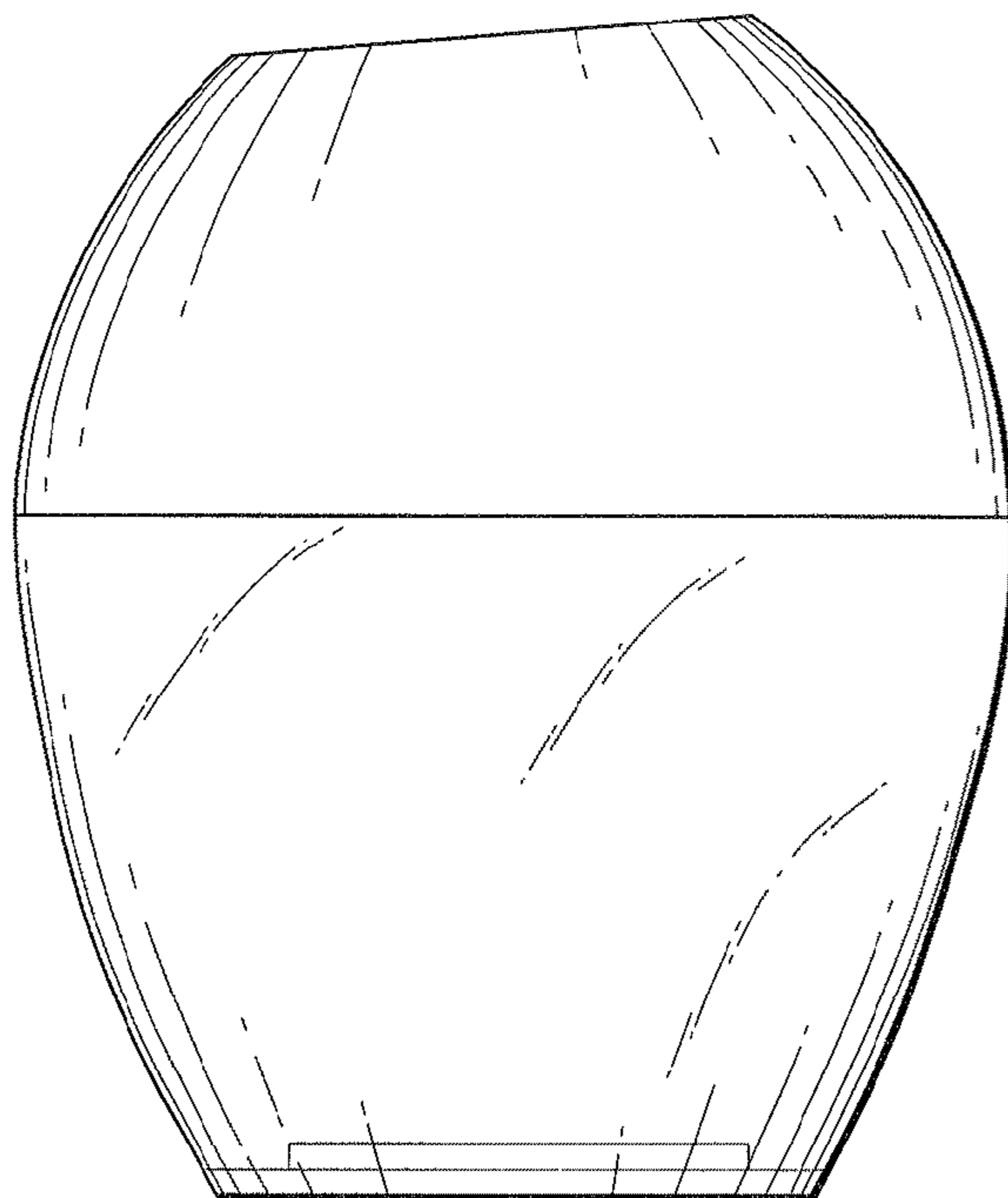


FIG. 3

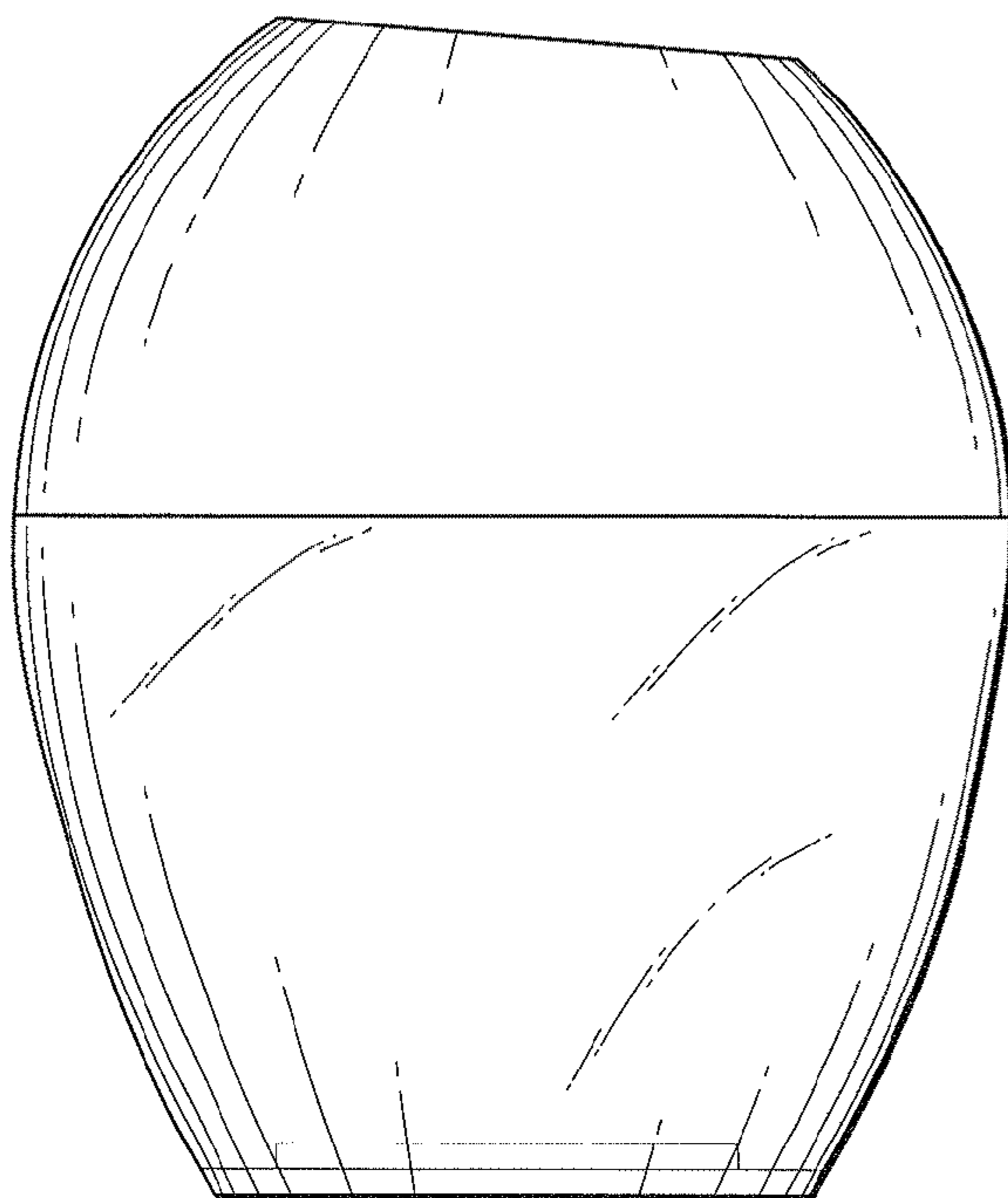


FIG. 4

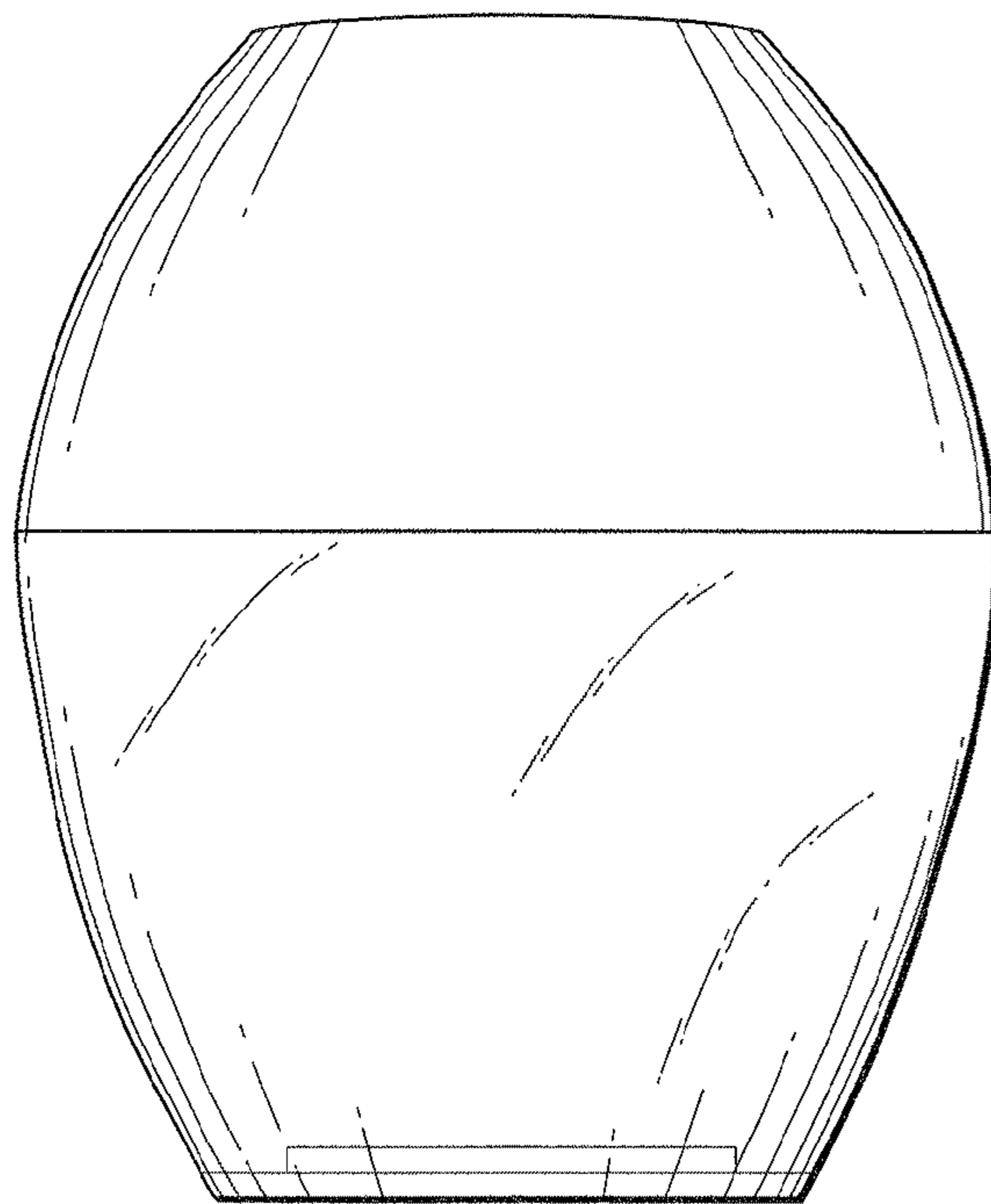


FIG. 5

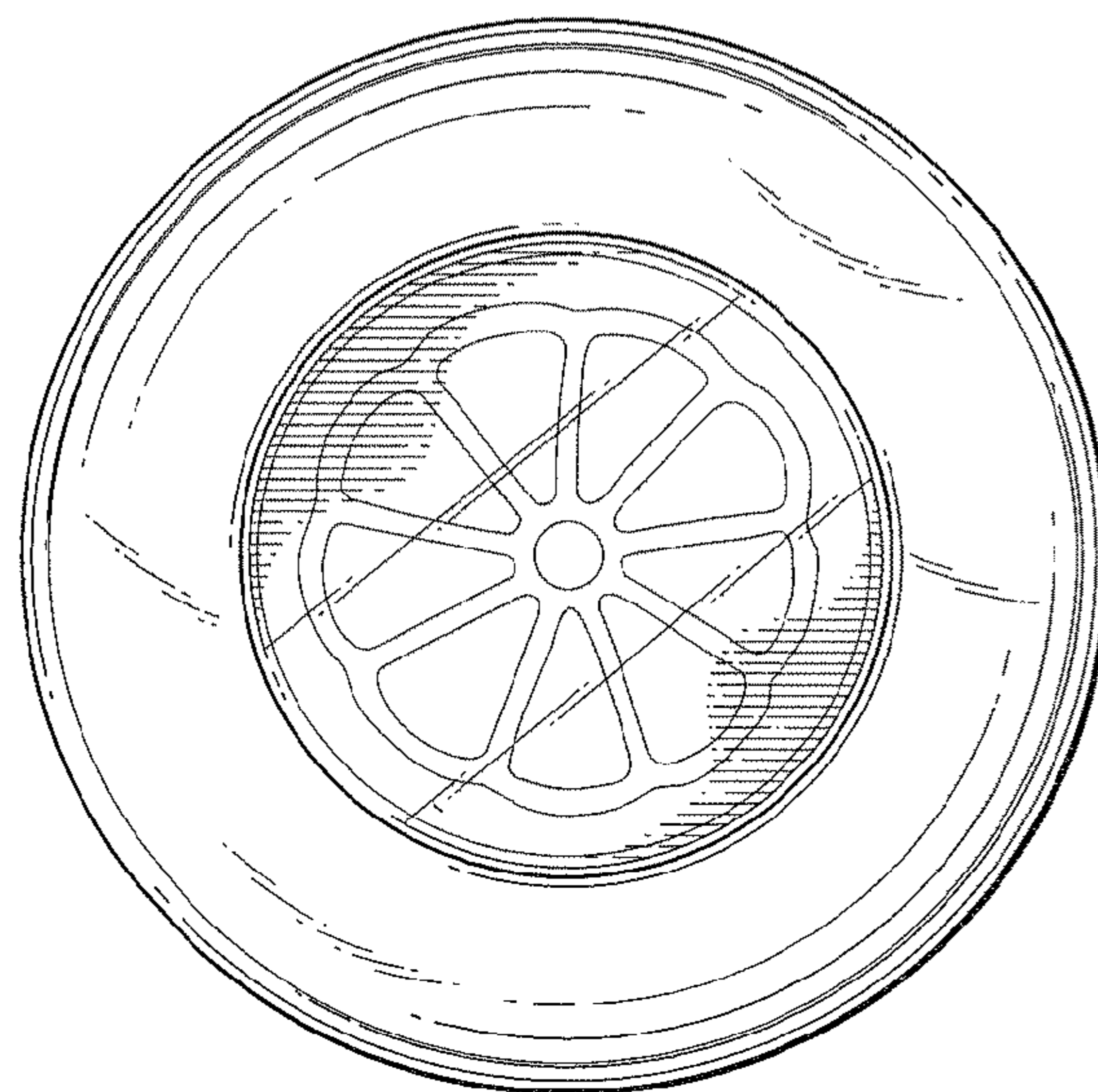


FIG. 6

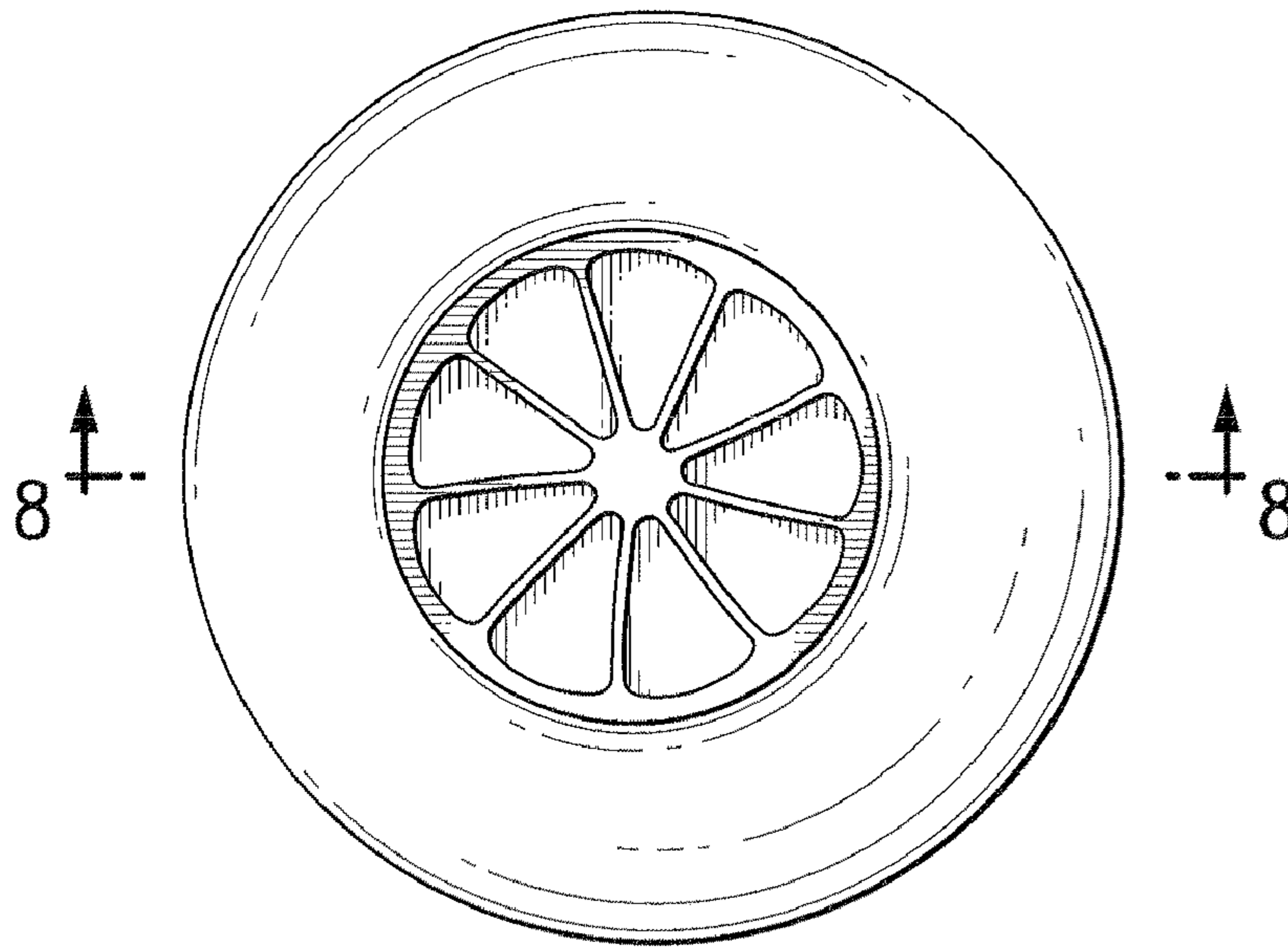


FIG. 7

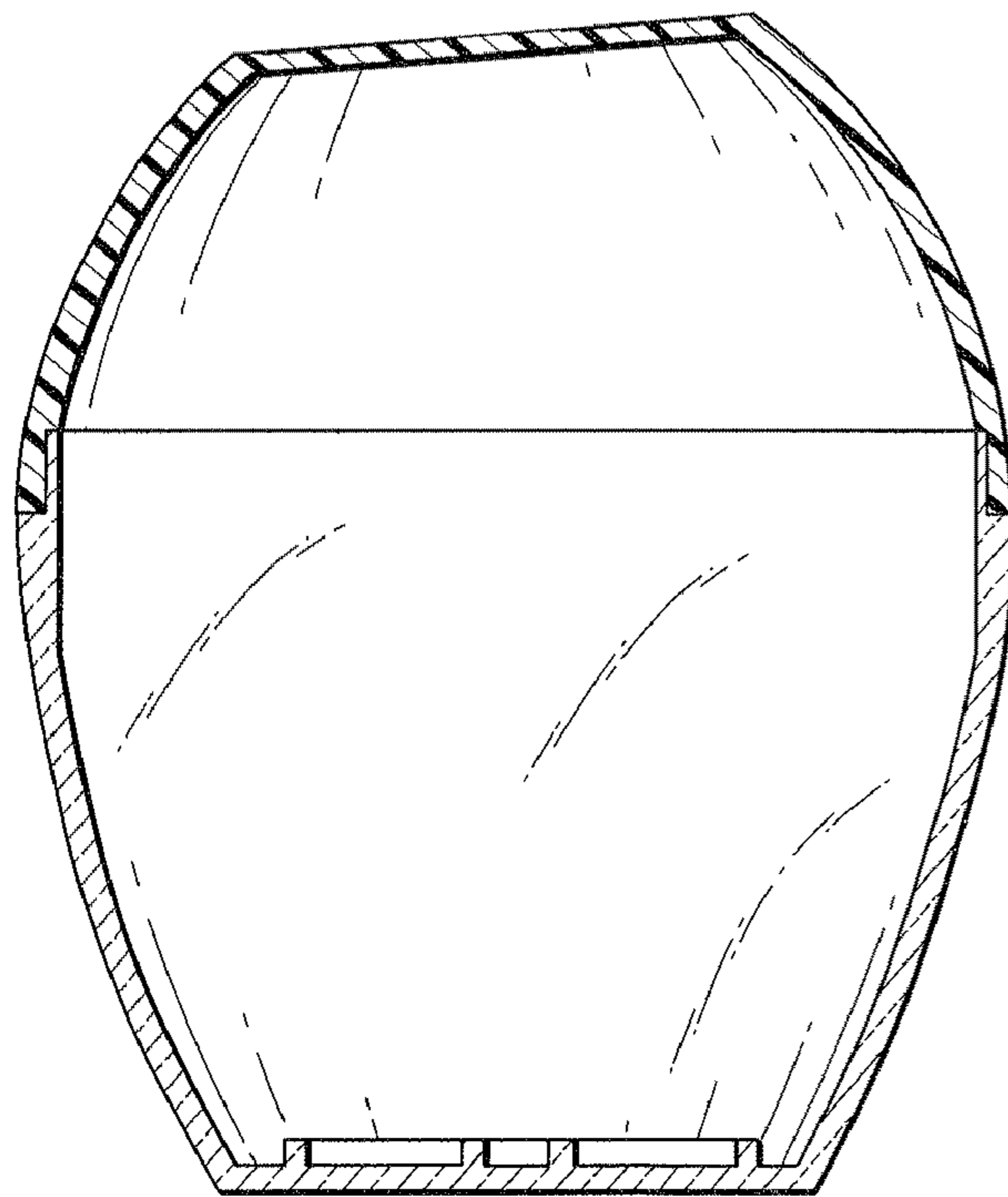


FIG. 8